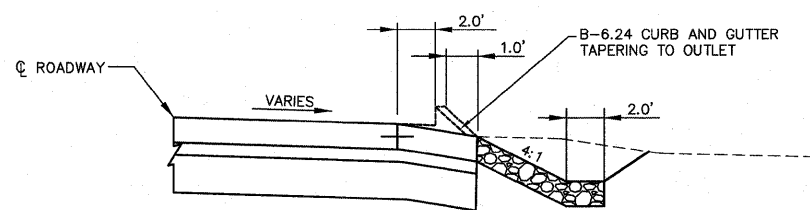
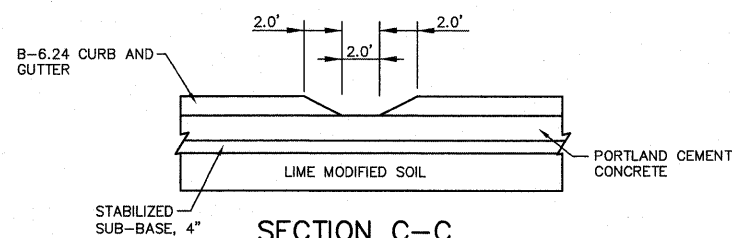


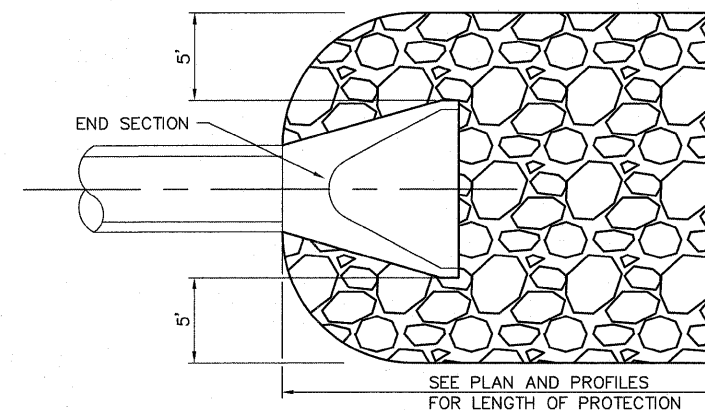
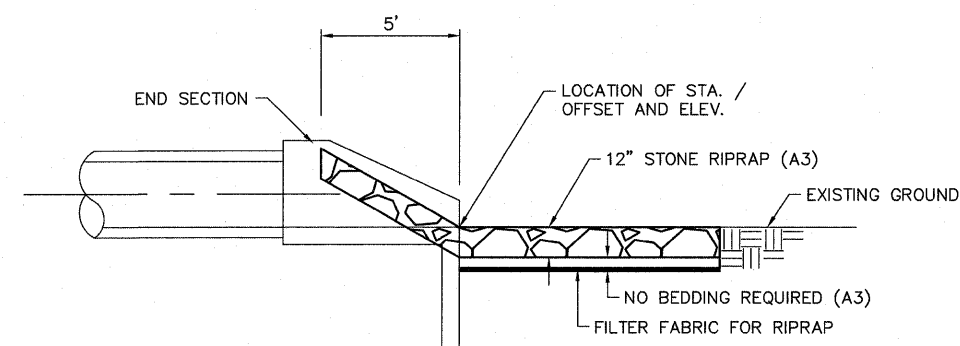
CURB OUTLET AT SAG POINT
FRANK SCOTT PARKWAY WEST - STA. 199+40, 36.3' RT
(NOT TO SCALE)



SECTION A-A
(NOT TO SCALE)



SECTION C-C
(NOT TO SCALE)



TYPICAL RIPRAP DETAIL
(NOT TO SCALE)

FILE NAME = 759DT01.DWG

USER NAME = SAM WRIGLEY

DESIGNED - SSM

REVISED -

DRAWN - SW3

CHECKED - AJG

REVISED -

PLOT SCALE = 1' = 1'

DATE = 2008-03-08

REVISED -

CITY OF BELLEVILLE, ILLINOIS
101 S. Illinois Street
Belleville, IL 62220-2105

FRANK SCOTT PARKWAY WEST
CONSTRUCTION DETAILS

F.A.U. RTE.	SECTION	COUNTY	TOTAL SHEETS	SHEET NO.
9256	09-00212-00-CG	ST. CLAIR	90	47
FED. ROAD DIST. NO. ILLINOIS			CONTRACT NO. 97379	

SCALE: SHEET NO. ___ OF ___ SHEETS STA. _____ TO STA. _____

FED. ROAD DIST. NO. ILLINOIS FED. AID PROJECT