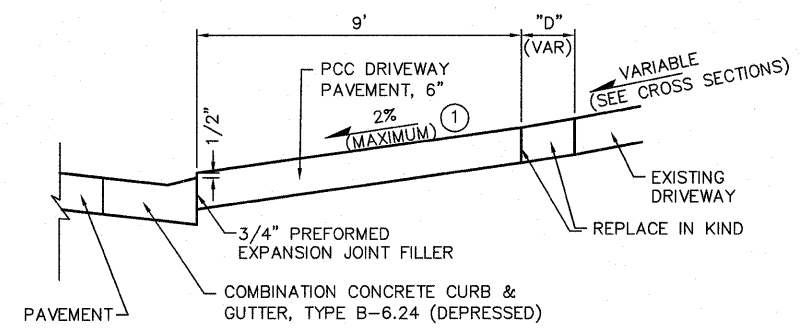
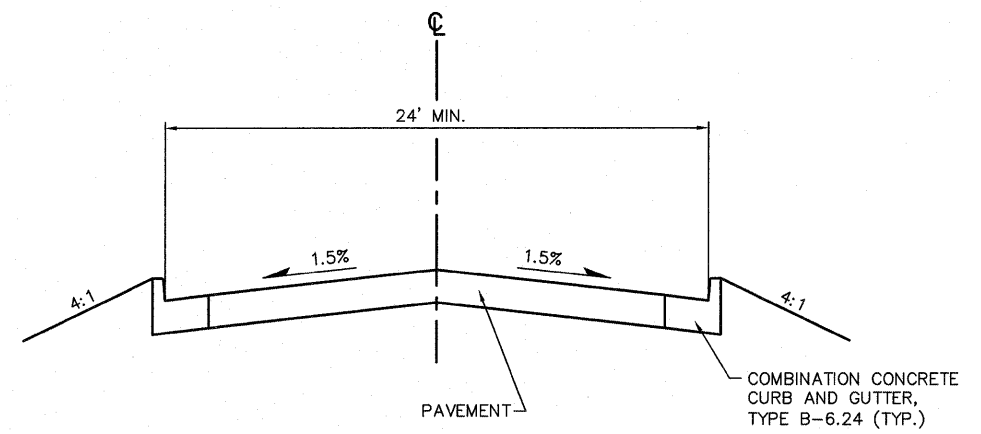


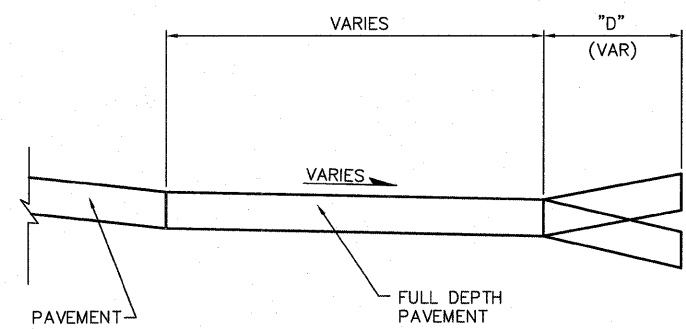
SECTION A-A
NOT TO SCALE



SECTION B-B
NOT TO SCALE

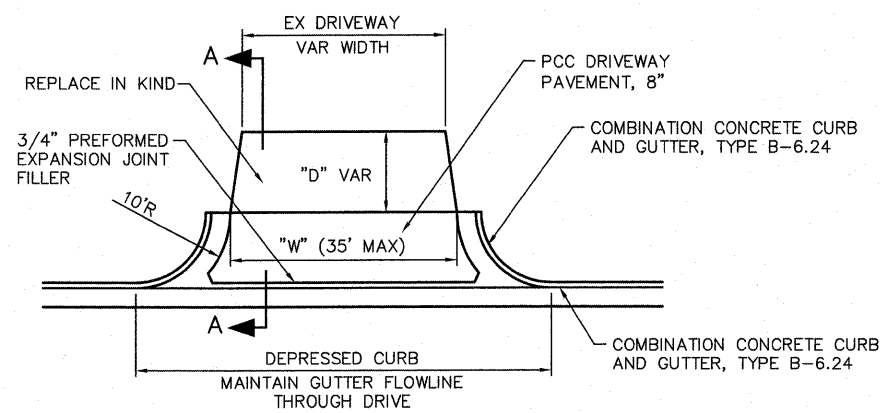


SECTION E-E
NOT TO SCALE

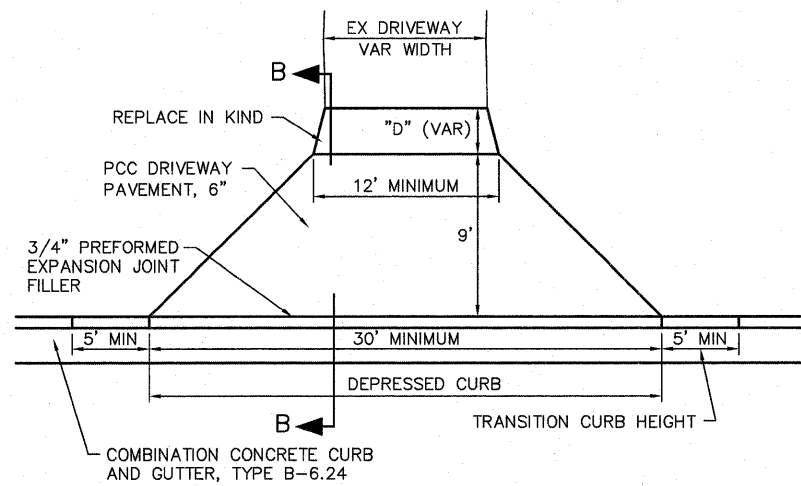


SECTION C-C
NOT TO SCALE

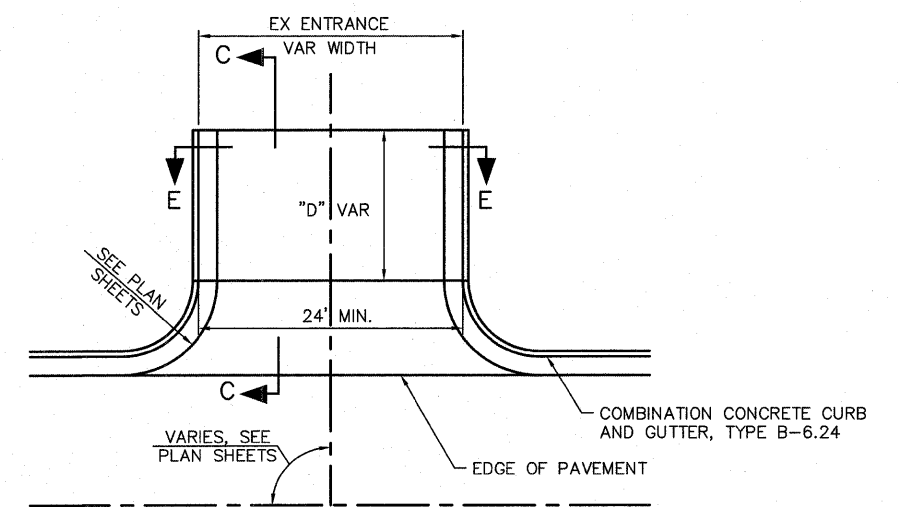
① SLOPE @ 2.00% SHOWN ON CROSS SECTIONS



TYPICAL COMMERCIAL ENTRANCE DETAIL
NOT TO SCALE



TYPICAL PRIVATE/FIELD ENTRANCE DETAIL
NOT TO SCALE



TYPICAL STREET DETAIL
NOT TO SCALE

FILE NAME = 759DT01.DWG	USER NAME = SAM WRIGLEY	DESIGNED - SSM	REVISED -	CITY OF BELLEVILLE, ILLINOIS 101 S. Illinois Street Belleville, IL 62220-2105	FRANK SCOTT PARKWAY WEST CONSTRUCTION DETAILS	FAU. RTE. 9256	SECTION 09-00212-00-CG	COUNTY ST. CLAIR	TOTAL SHEETS 90	SHEET NO. 48		
PLOT SCALE = 1" = 1'	CHECKED - AJG	REVISED -	SCALE:			SHEET NO. ___ OF ___ SHEETS	STA. _____ TO STA. _____	CONTRACT NO. 97379				
PLOT DATE = 2009-04-30	DATE - 2008-03-08	REVISED -	FED. ROAD DIST. NO. ILLINOIS FED. AID PROJECT									