

C:\IC-WORKSPACE\GALLTC\M-FS-0044.D-TRANS_07\2202\3666-01\STRUCT\CAD\02 PHASE II\IA TENC\SHEET\ST021A003.SHT

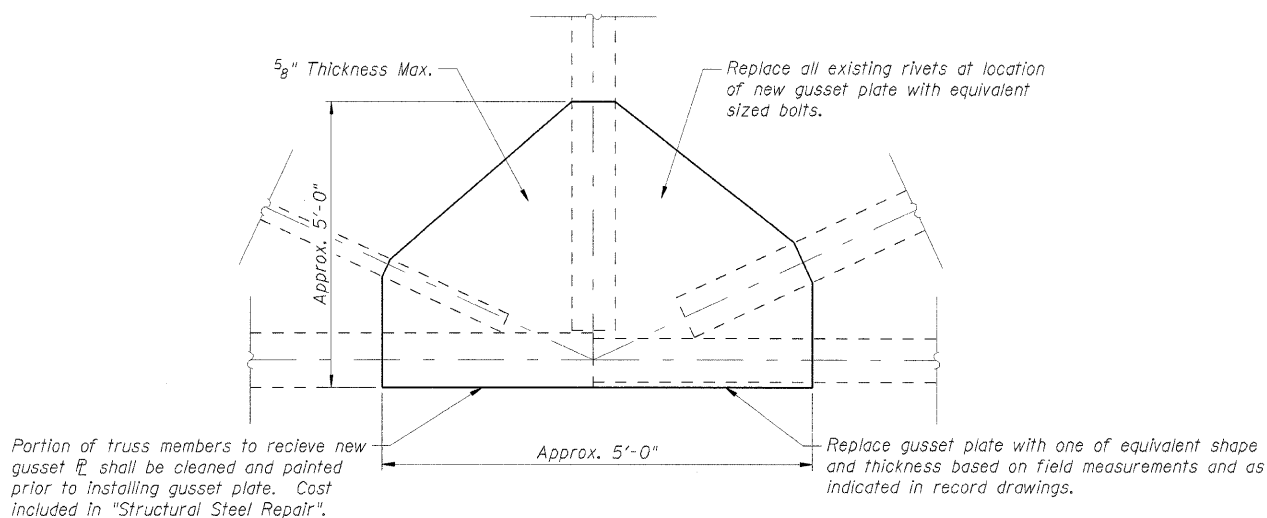
GALLTC

4-14-2005, 11:06:14

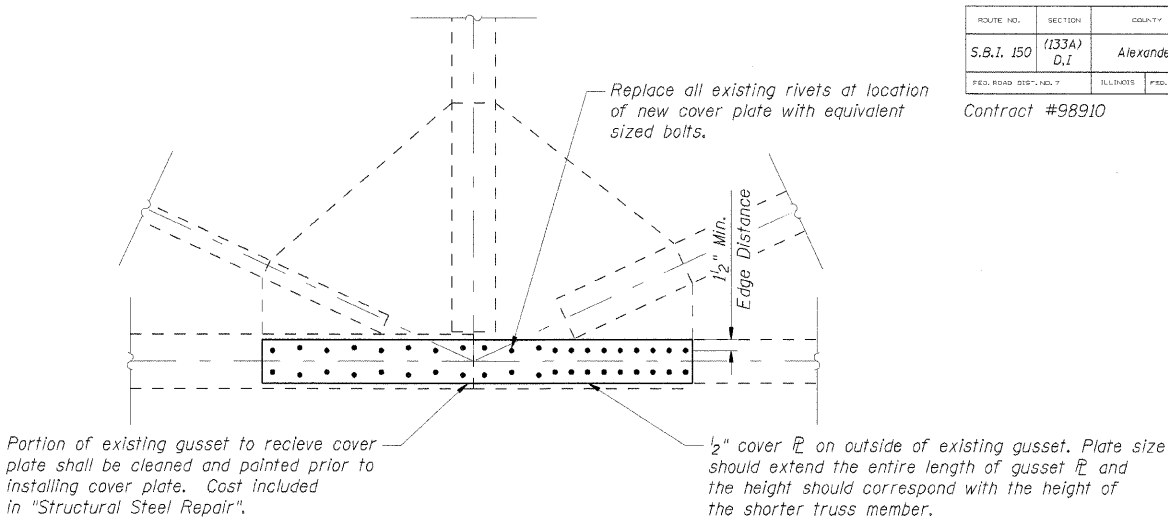
ROUTE NO.	SECTION	COUNTY	TOTAL SHEETS	SHEET NO.	SHEET NO.
S.B.I. 150	(133A) D,I	Alexander	32	24	23 SHEETS
FED. ROAD DIST. NO. 7		ILLINOIS	FED. AID PROJECT	Contract #98910	

SHEET NO. 16A

23 SHEETS



TYPICAL INTERIOR GUSSET REPLACEMENT



TYPICAL EXTERIOR GUSSET REPAIR

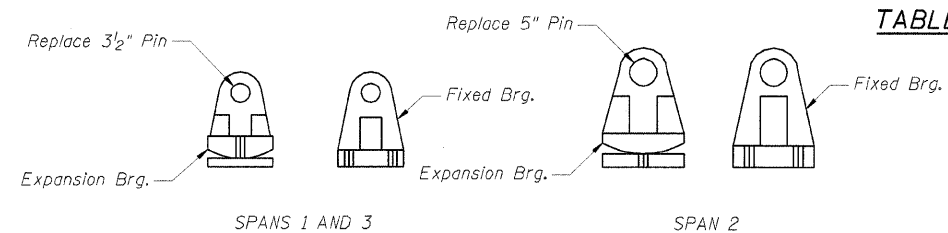
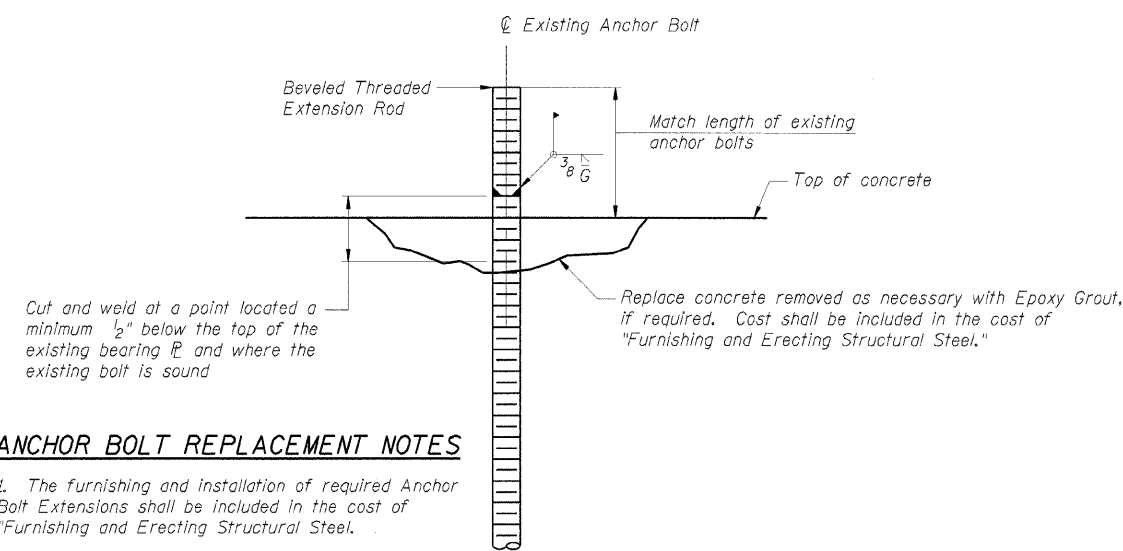


TABLE OF PIN REPLACEMENT

Span	Location	Bearing
1	Pier 1	SW
1	Pier 1	NW
2	Pier 1	SW
2	Pier 2	NW
3	Pier 2	NE
3	W. Abut.	NW

TRUSS BEARINGS

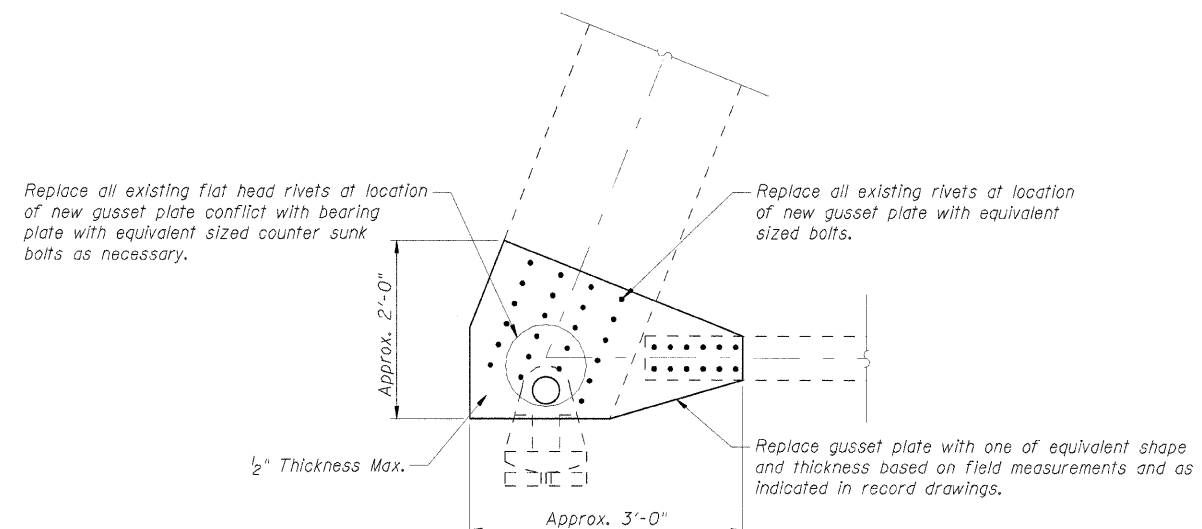


ANCHOR BOLT REPLACEMENT NOTES

- The furnishing and installation of required Anchor Bolt Extensions shall be included in the cost of "Furnishing and Erecting Structural Steel."
- New Hardware including washers and nuts that accompany anchor bolt replacement shall be included in the cost of "Furnishing and Erecting Structural Steel."

ANCHOR BOLT REPAIR DETAIL

Spans 1 and 3: 1/4" Bolt (24 Each)
Span 2: 1/2" Bolt (12 Each)



TYPICAL BEARING GUSSET REPLACEMENT

(Interior and exterior gusset P's)

NOTES:

- All steel repairs shown on this Sheet to be paid for under "Structural Steel Repair".
- Existing rivets in spans 1 and 3 are 3/4", existing rivets in span 2 are 7/8" according to record plans. Replace rivets with a bolt equal to existing rivet diameter.
- Plan dimensions and details relative to existing plans are subject to nominal construction variations. The Contractor shall field verify existing dimensions and details affecting new construction and make necessary approved adjustments prior to construction or ordering of materials. Such variations shall not be cause for additional compensation for a change in scope of the work, however, the Contractor will be paid for the quantity actually furnished at the unit price bid for the work.

TENG TENG & ASSOCIATES, INC.
ENGINEERS-ARCHITECTS-PLANNERS
CHICAGO, ILLINOIS

Designed By: TCG Checked By: J.R. Drawn By: TCG
Date: Feb. 2009 File: 61021A003.SHT

ILLINOIS DEPARTMENT OF TRANSPORTATION
MISCELLANEOUS REPAIR DETAILS
OLD ILLINOIS ROUTE 3
OVER SEXTON CREEK
S.B.I. ROUTE 150 - SECTION (133A)D,I
ALEXANDER COUNTY
STATION 1212+84.95
STRUCTURE NO. 002-0009