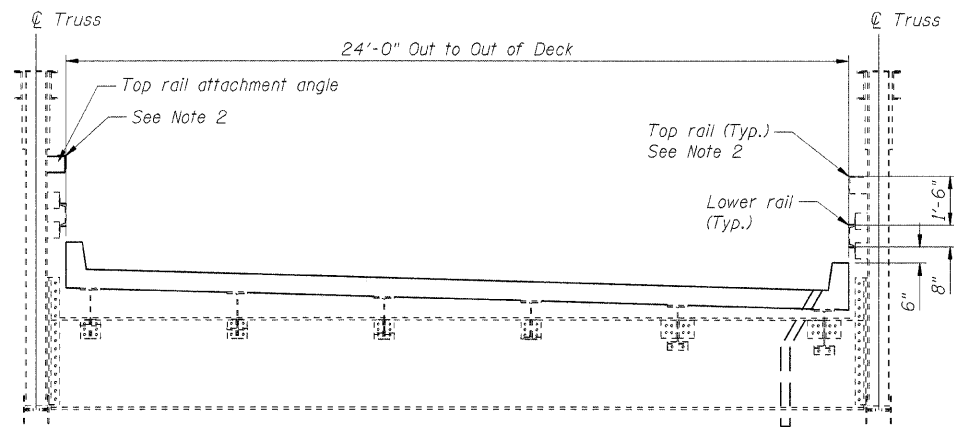
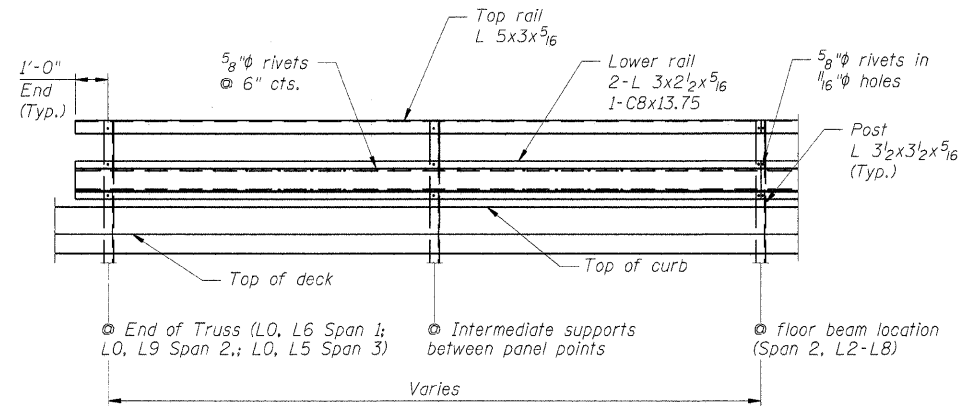


ROUTE NO.	SECTION	COUNTY	TOTAL SHEETS	SHEET NO.	SHEET NO. 17 23 SHEETS
S.B.I. 150	(133A) D, I	Alexander	32	25	
FED. ROAD DIST. NO. 7	ILLINOIS	FED. AID PROJECT			

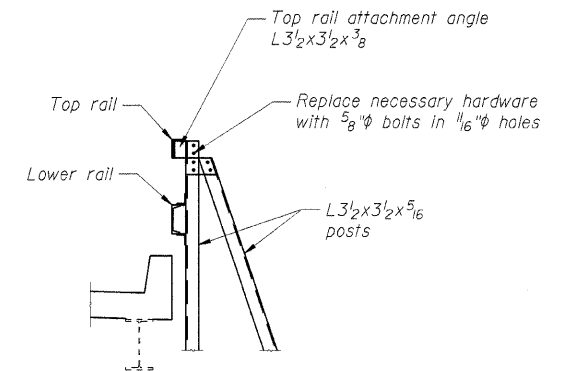
Contract #98910



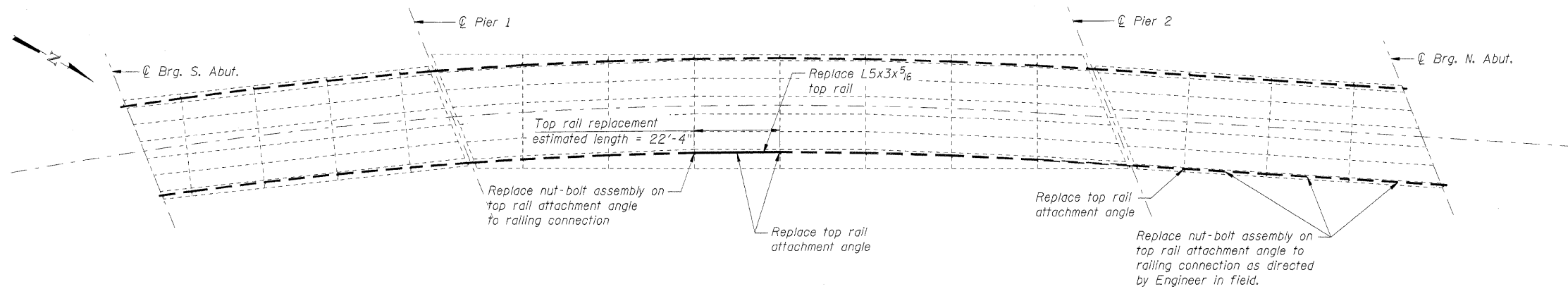
**RAILING CROSS SECTION**  
(Spans 1 & 3)



**EXISTING RAILING PARTIAL ELEVATION**



**RAIL POST DETAIL**



**RAILING PLAN**

**NOTE:**

- All steel repairs shown on this Sheet to be paid for under "Structural Steel Repair".
- Replace damaged railing elements as indicated on this sheet and as directed by Engineer in field. Clean and paint existing and new railing members, connections, and supports.

**TENG** TENG & ASSOCIATES, INC.  
ENGINEERS/ARCHITECTS/PLANNERS  
CHICAGO, ILLINOIS

Designed By: TCO Checked By: JLR Drawn By: TCO  
Date: Feb 2009 File: S1021A002.SHT

ILLINOIS DEPARTMENT OF TRANSPORTATION  
**RAILING REPAIR DETAILS**  
OLD ILLINOIS ROUTE 3  
OVER SEXTON CREEK  
S.B.I. ROUTE 150 - SECTION (133A)D, I  
ALEXANDER COUNTY  
STATION 1212+84.95  
STRUCTURE NO. 002-0009

C:\IC-WORKSPACE\GALLTC\M-FS-0044.D-TRANS\_07\2202\3666-01\STRUCT\CAD\02 PHASE II\14 TENG\SHEET\ST021A002.SHT

GALLTC

2-23-2009, 10:13:40