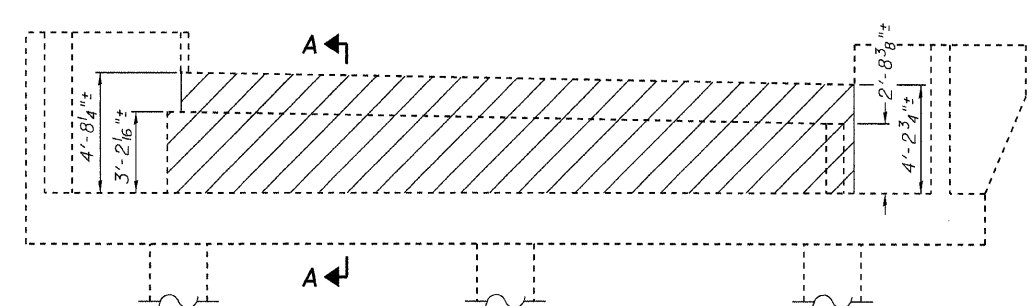
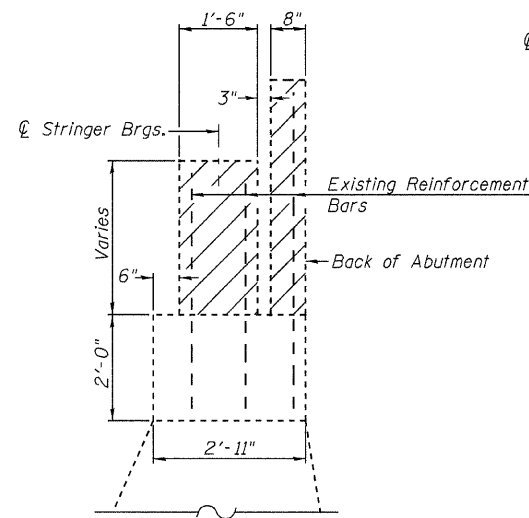
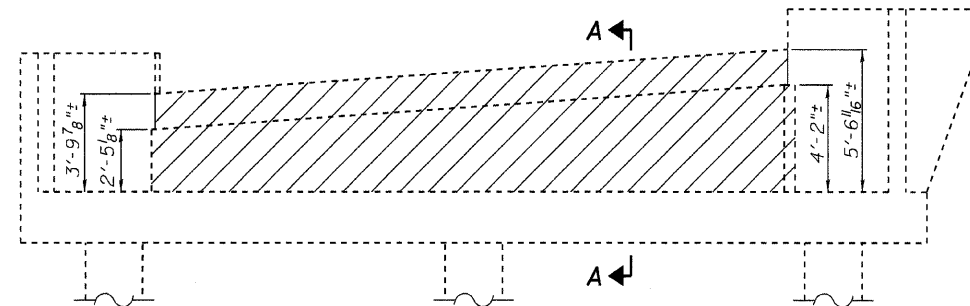
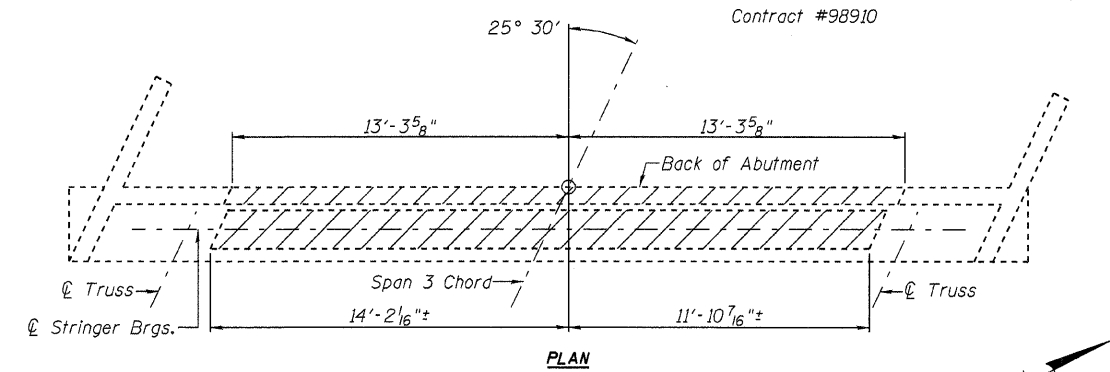
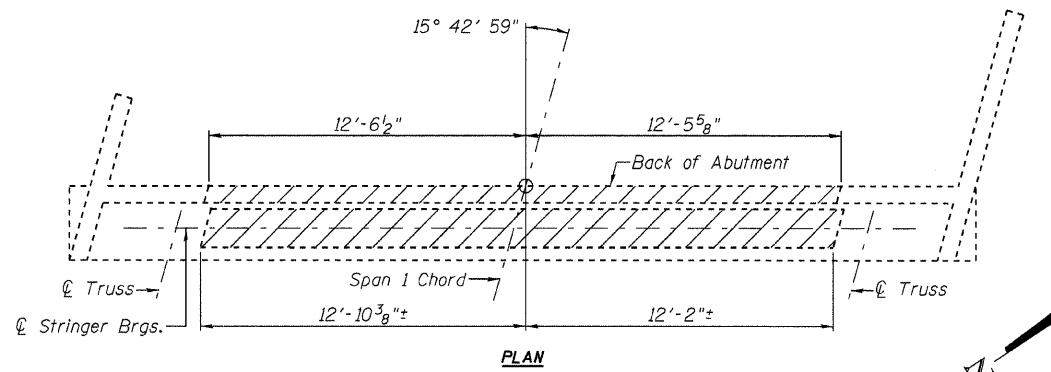


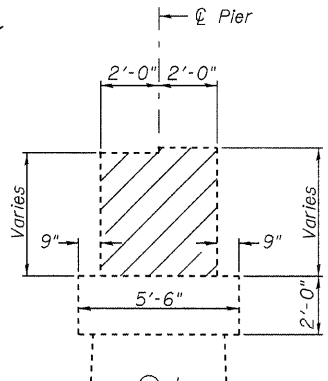
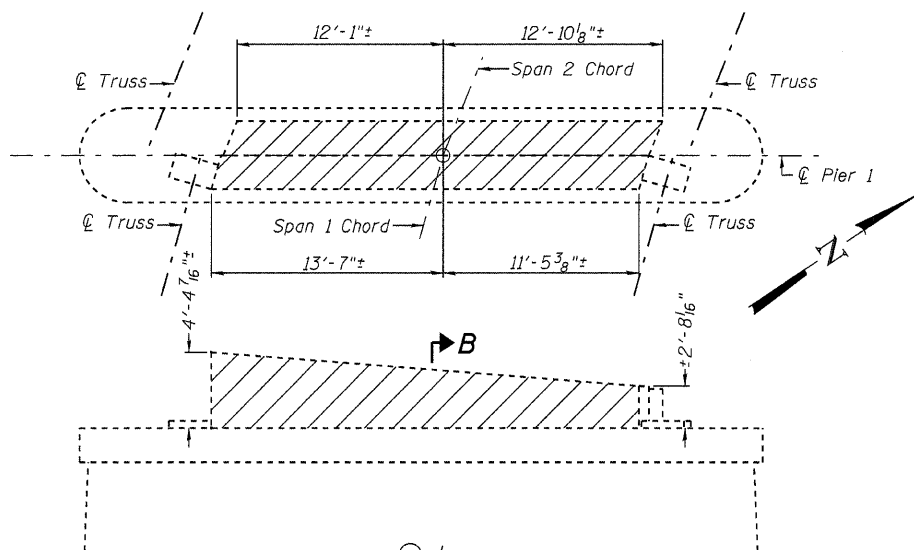
Contract #98910



SOUTH ABUTMENT
ELEVATION (Looking South)

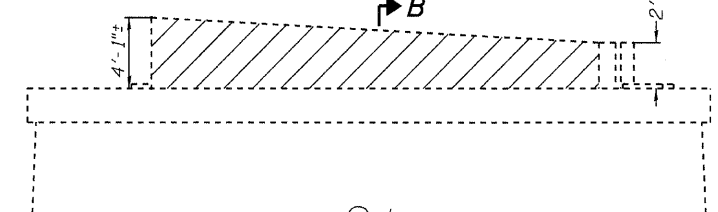
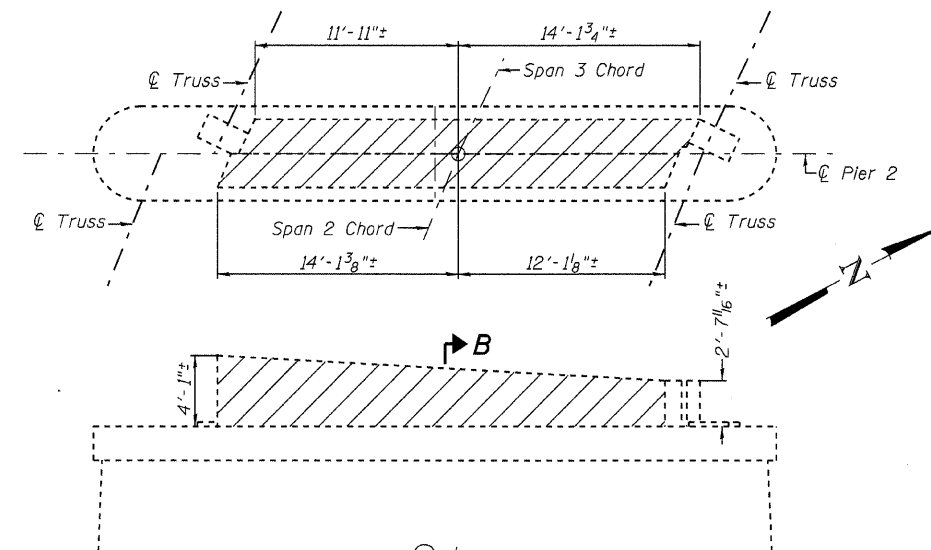
SECTION A-A
(Dimensions at Rt. L's)

NORTH ABUTMENT
ELEVATION (Looking North)



PIER 1

SECTION B-B
(Dimensions at Rt. L's)



PIER 2

Notes:
 Hatched areas indicate Concrete Removal.
 Existing reinforcement shall be cleaned, straightened, and incorporated into the new construction. Cost included with Concrete Removal.
 The existing piers are unreinforced. The Contractor shall take necessary precautions to avoid damaging the existing piers beyond the limits of Concrete Removal.
 The Contractor is to provide temporary stringer support when performing Concrete Removal and reconstruction. Cost included with Jack and Remove Existing Bearings.

BILL OF MATERIAL

ITEM	UNIT	TOTAL
Concrete Removal	Cu. Yd.	40.4

ILLINOIS DEPARTMENT OF TRANSPORTATION
CONCRETE REMOVAL
OLD ILLINOIS ROUTE 3
OVER SEXTON CREEK
 S.B.I. ROUTE 150 - SECTION (133A)D.I
 ALEXANDER COUNTY
 STATION 1212+84.95
 STRUCTURE NO. 002-0009

Lin Engineering Ltd.
 Consulting Engineers
 Chatham, Illinois
 Designed By: DLS
 Checked By: STD
 Date: Feb 2009
 Drawn By: A.F.
 File: 002-0009.dgn

3/1/2009 11:48:12 AM ...\\2009 revisions\002-0009.dgn