

CONSTRUCTION PLANS FOR OVERLAY

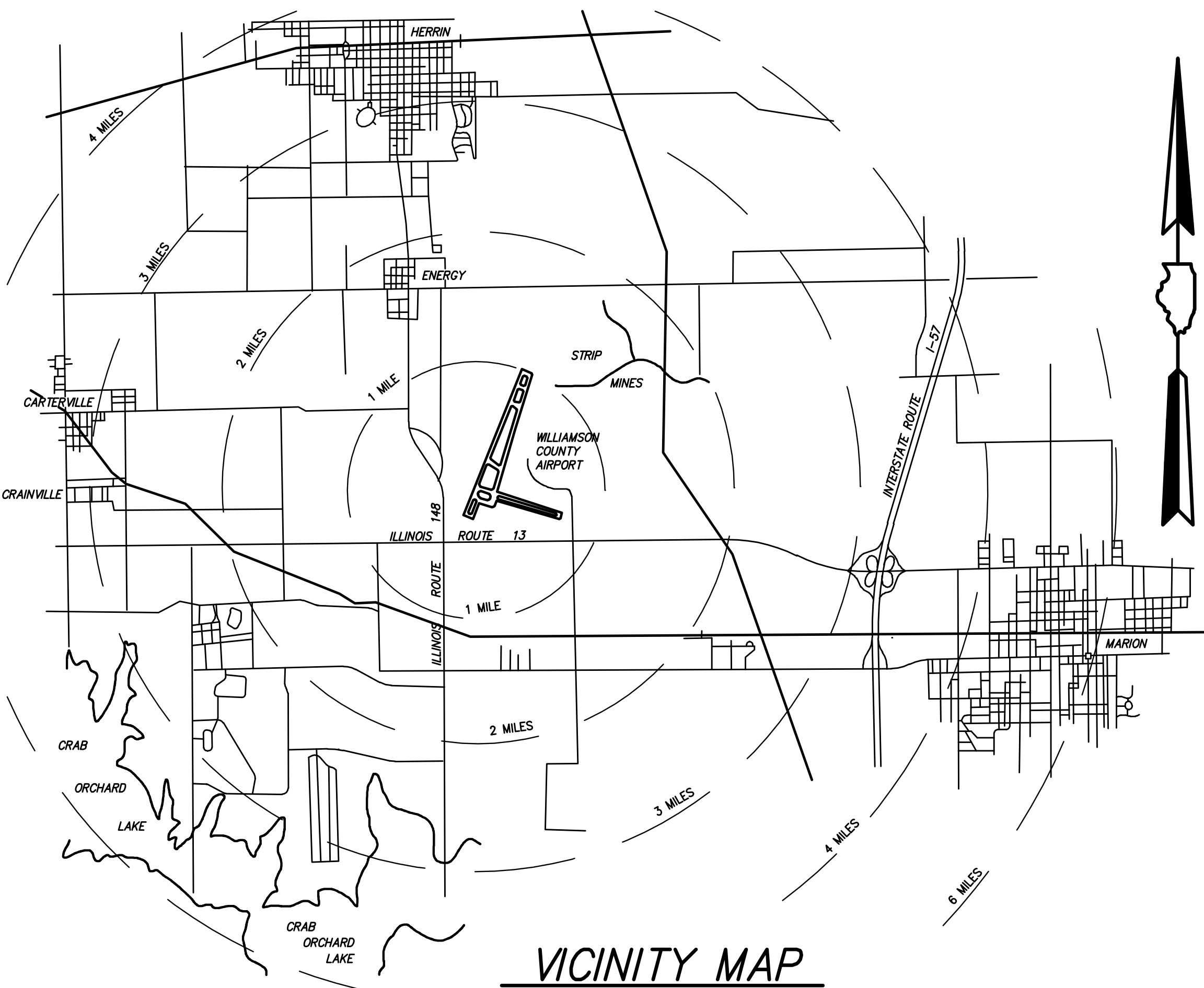
OF RSA IMPROVEMENTS - EASTSIDE TAXIWAY RELOCATION MARION-HERRIN, WILLIAMSON COUNTY, ILLINOIS DATE : MARCH 6, 2007

INDEX OF SHEETS

1. COVER
2. CONSTRUCTION SAFETY PLAN
3. TYPICAL SECTION & STAKING PLAN
4. TAXIWAY PLAN & PROFILE
5. ACCESS ROAD PLAN & PROFILE
6. PAVEMENT MARKING AND REMOVAL PLAN
7. EXISTING ELECTRIC PLAN
8. PROPOSED ELECTRIC PLAN
- 9.-10. MISC. ELECTRIC DETAILS
11. ELECTRICAL NOTES
12. TAXIWAY CROSS SECTIONS
- 13.-14. ACCESS ROAD CROSS SECTIONS
15. STORM SEWER DETAILS

SUMMARY OF QUANTITIES				
ITEM NO.	DESCRIPTION	UNIT	EST. QTY.	AS BUILT QTY.
AR108156	1/C #6 5KV UG CABLE IN U.D.	L.F.	820	
AR108158	1/C #8 5KV UG CABLE IN U.D.	L.F.	1440	
AR110211	1" STEEL DUCT, DIRECT BURY	L.F.	170	
AR110213	3" STEEL DUCT, DIRECT BURY	L.F.	164	
AR125415	MITL BASE MOUNTED	EACH	25	
AR125442	TAXI GUIDANCE SIGN, 2 CHARACTER	EACH	1	
AR125902	REMOVE BASE MOUNTED LIGHT	EACH	29	
AR125906	REMOVE SPLICE CAN	EACH	2	
AR125962	RELOCATE BASE MOUNTED LIGHT	EACH	8	
AR125964	RELOCATE TAXI GUIDANCE SIGN	EACH	1	
AR125967	RELOCATE REIL	PAIR	1	
AR150510	ENGINEER'S FIELD OFFICE	L.S.	1	
AR152410	UNCLASSIFIED EXCAVATION	C.Y.	845	
AR152440	BORROW EXCAVATION	C.Y.	2470	
AR201610	BITUMINOUS BASE COURSE	TON	1195	
AR501512	12" PCC PAVEMENT	S.Y.	2900	
AR501530	PCC TEST BATCH	EACH	1	
AR501900	REMOVE PCC PAVEMENT	S.Y.	3487	
AR620520	PAVEMENT MARKING - WATERBOURNE	S.F.	3709	
AR620525	PAVEMENT MARKING - BLACK BORDER	S.F.	675	
AR620900	PAVEMENT MARKING REMOVAL	S.F.	1273	
AR701424	24" RCP, CLASS III	L.F.	150	
AR751415	INLET SPECIAL	EACH	2	
AR752850	SPECIAL STRUCTURE	EACH	1	
AR901510	SEEDING	ACRE	2.1	
AR908510	MULCHING	ACRE	2.1	

RECURRING SPECIAL PROVISIONS			
The following RECURRING SPECIAL PROVISIONS indicated by an "X" are Applicable to this contract and are included by reference:			
Check Sheet No.	Item No.	Description	Page No.
	1	AR101580 Refurbish 36" Beacon	155
	2	AR106000 Apron Lighting	160
	3	AR119000 Airport Obstruction Lighting (Not Included)	166
	4	AR127000 Airport Navaid Installation (Not Included)	167
X	5	AR150510 Engineer's Field Office	168
	6	AR150560 Temporary Threshold	170
	7	AR152540 Soil Stabilization Fabric	173
	8	AR156000 Erosion Control	175
	9	AR156513 Separation Fabric	180
	10	AR156540 Riprap	182
X11	AR201001 Bituminous Base Course - Method I	185	
	12	AR201002 Bituminous Base Course - Method II	193
	13	AR201003 Bituminous Base Course - Method I, Superpave	209
	14	AR201004 Bituminous Base Course - Method II, Superpave	217
	15	AR201661 Clean & Seal Bituminous Cracks	230
	16	AR201663 Sand Mix Crack Repair	233
	17	AR201671 Crack Control Fabric	235
	18	AR302000 Asphalt Treated Permeable Subbase	237
	19	AR401001 Bituminous Surface Course - Method I	245
	20	AR401002 Bituminous Surface Course - Method II	253
	21	AR401003 Bituminous Surface Course - Method I, Superpave	269
	22	AR401004 Bituminous Surface Course - Method II, Superpave	277
	23	AR401640 Bituminous Pavement Grooving	290
	24	AR401650 Bituminous Pavement Milling	293
	25	AR401655 Butt Joint Construction	295
X26	AR401900 Remove Bituminous Pavement	297	
X27	AR501001 Portland Cement Concrete - Pavement Method I	299	
	28	AR501002 Portland Cement Concrete - Pavement Method II	316
	29	AR501003 Portland Cement Concrete - Pavement Method III	338
	30	AR501115 Crack and Seal Pavement	362
	31	AR501540 PCC Pavement Grooving	365
	32	AR501550 PCC Pavement Milling	368
	33	AR501900 Remove PCC Pavement	370
	34	AR510500 Tie-down/Ground Rod	372
	35	AR605000 Silicone Joint Sealing Filler	373



ILLINOIS PROJECT No. MWA-3477
A.I.P. PROJECT 3-17-0065-

LATITUDE 37° 45' 15"
LONGITUDE 89° 00' 45"
ELEVATION 471.00

BOARD MEMBERS

- CHAIRMAN : CARL PLANINC
MEMBERS : BERNARD A. PAUL
DARREN PULLEY
RICHARD PISONI
SECRETARY : CRAIG PILLATSCH
AIRPORT MANAGER : DOUGLAS KIMMEL



EXPIRES : NOVEMBER 30, 2007

PROJECT 06153

NOTE REGARDING SPECIAL PROVISIONS

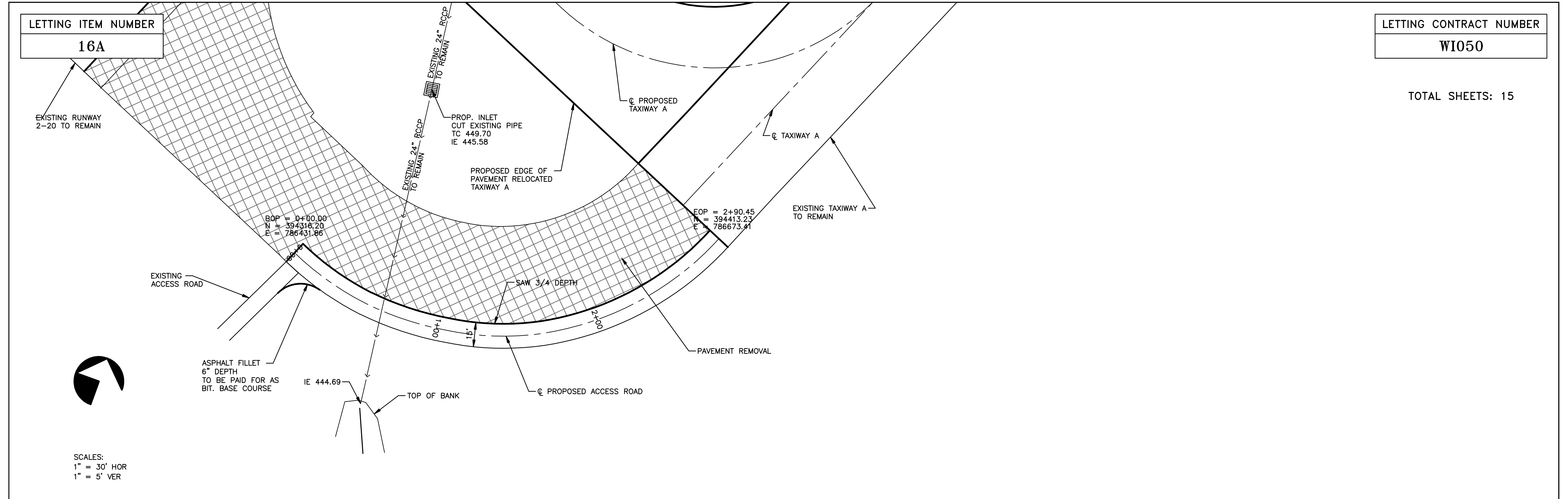
* THIS PROJECT HAS NO SPECIAL PROVISIONS. ALL WORK SHALL COMPLY WITH THE STANDARD SPECIFICATIONS FOR CONSTRUCTION ON AIRPORTS (JANUARY 1985) AS AMENDED BY THE SUPPLEMENTAL SPECIFICATIONS AND RECURRING SPECIAL PROVISIONS.

PLANS PREPARED BY : CLARIDA & ZIEGLER ENGINEERING COMPANY P.O. Box 937, 308 South Court Street Marion, Illinois 62959		WILLIAMSON COUNTY AIRPORT AUTHORITY	
REGISTERED PROFESSIONAL ENGINEER OF ILLINOIS NO. 24022		APPROVED <i>Carl Planinc</i> CHAIRMAN	
SUBMITTED <i>Harold G. Clarida</i> ENGINEER HAROLD G. CLARIDA		DATE : APRIL 16, 2007	
DATE : APRIL 16, 2007		APPROVED <i>Craig Pillatsch</i> SECRETARY	
DATE : APRIL 16, 2007		DATE : APRIL 16, 2007	

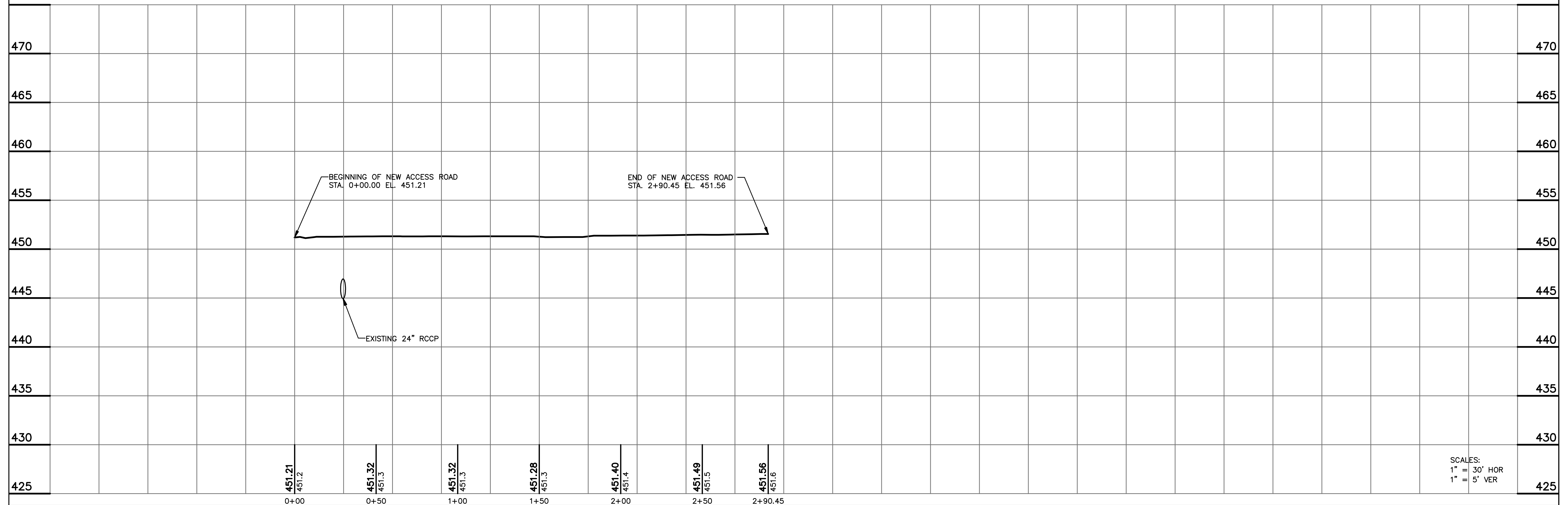
LETTING ITEM NUMBER
16A

LETTING CONTRACT NUMBER
WI050

TOTAL SHEETS: 15



SCALES:
1" = 30' HOR
1" = 5' VER

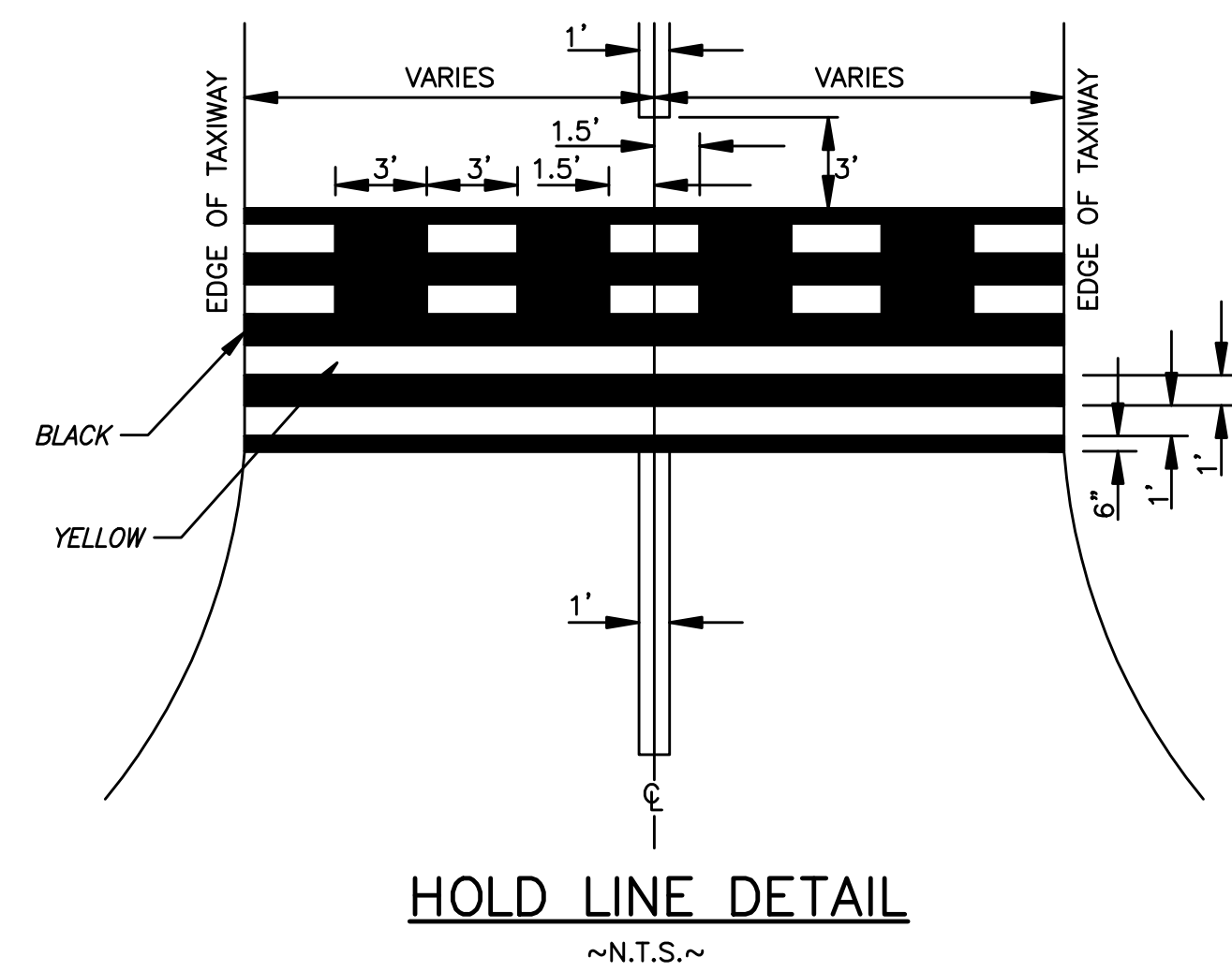
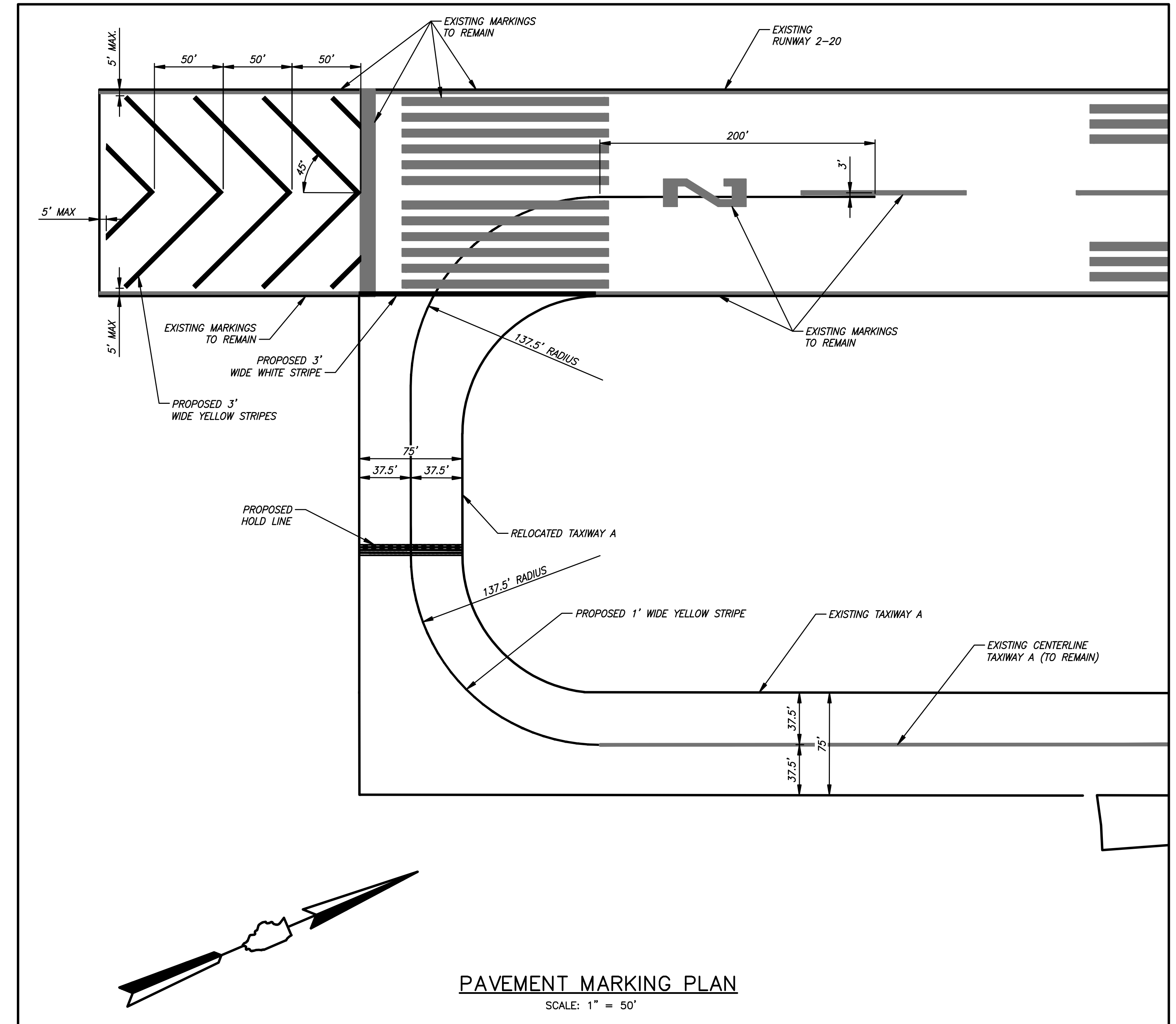
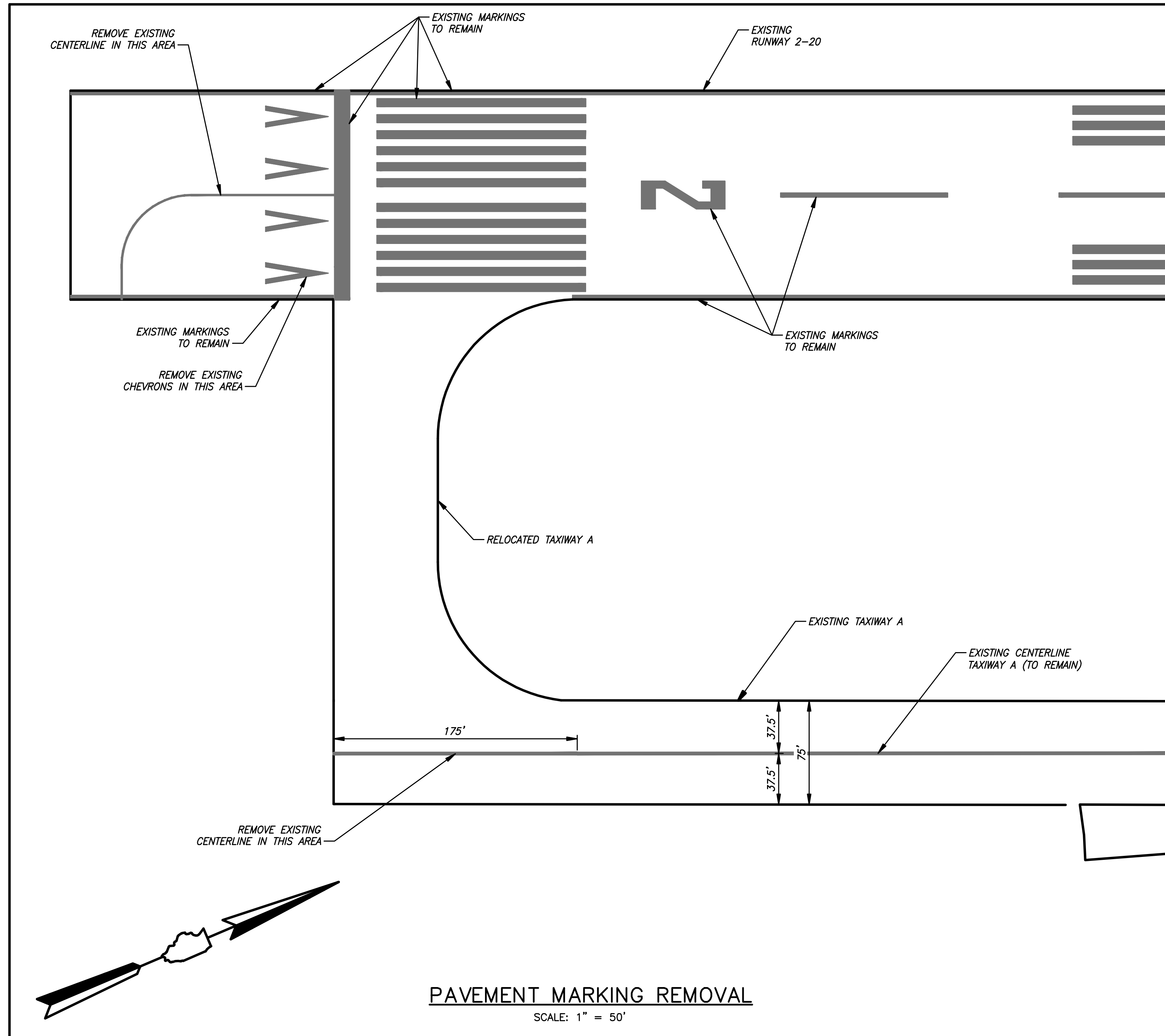


SCALES:
1" = 30' HOR
1" = 5' VER

EASTSIDE TAXIWAY RELOCATION – ACCESS ROAD PLAN & PROFILE – STATION 0A+00 TO 2A+90.45

JOB NO. 06153
SH 05 OF 15

P:\Airport\06153 - Taxi Way\05 RD P&P.dwg, 7/1/2009 11:12:02 AM, 1:1



PAVEMENT MARKING REMOVAL	
RUNWAY	1097 SQ. FT.
TAXIWAY	175 SQ. FT.

PAINT QUANTITIES	
YELLOW	3193 SQ. FT.
WHITE	516 SQ. FT.
BLACK	675 SQ. FT.

ILLINOIS PROJECT NO. MWA-3562
A.I.P. PROJECT NO. 3-17-0065-XX

STATE OF ILLINOIS PROFESSIONAL DESIGN FIRM LICENSE NO. 184-000872

© 2007 ALL RIGHTS RESERVED

CLARIDA & ZIEGLER ENGINEERING CO.
308 South Court St, P.O. Box 937
Marion, Illinois 62959
Phone - (618)993-6411, Fax - (618)993-6750

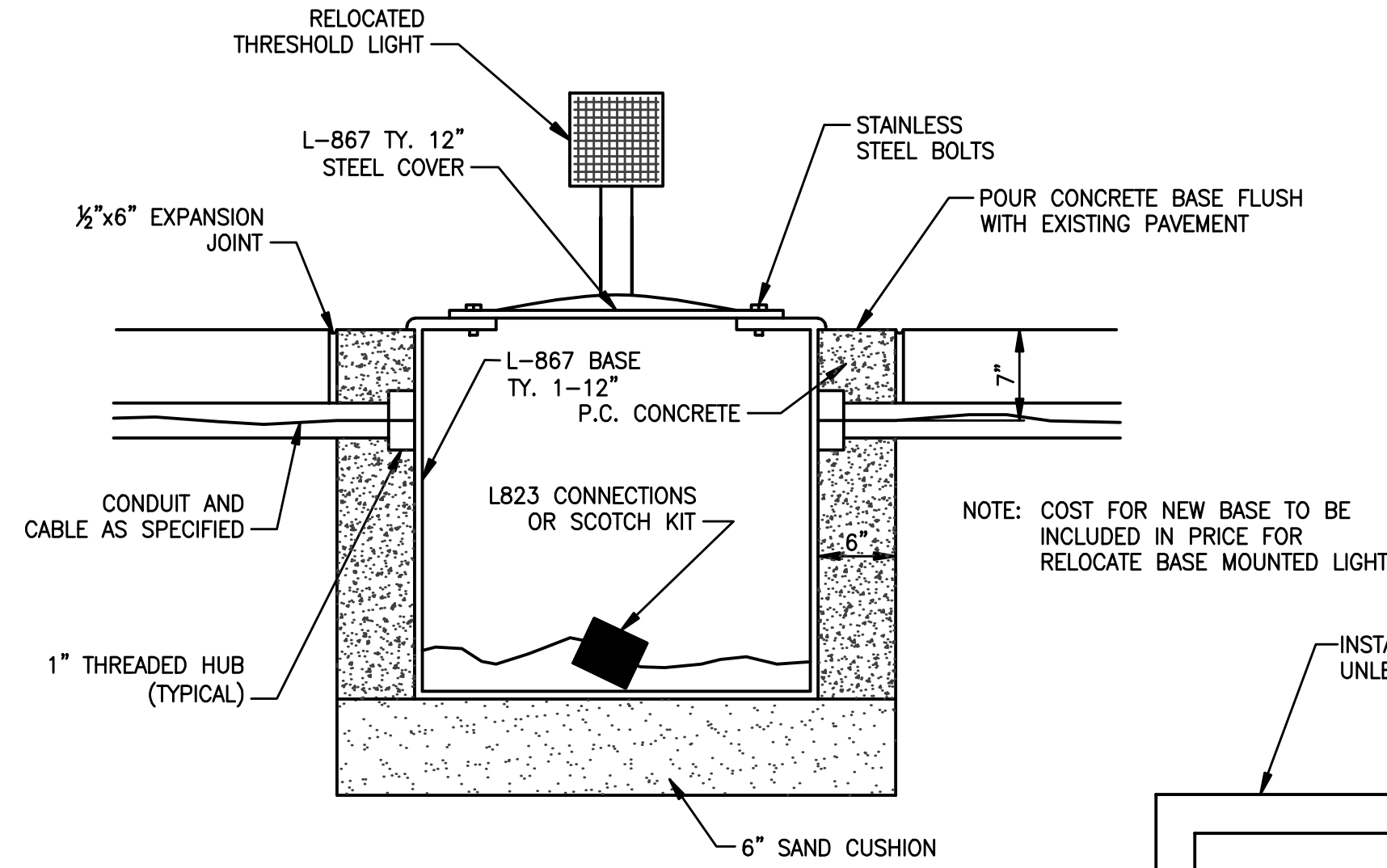
PAVEMENT MARKING AND REMOVAL PLAN
EAST SIDE TAXIWAY RELOCATION
WILLIAMSON COUNTY REGIONAL AIRPORT
MARION - HERRIN, ILLINOIS

Date 3/15/07 DR. By TDE CK'D By CM

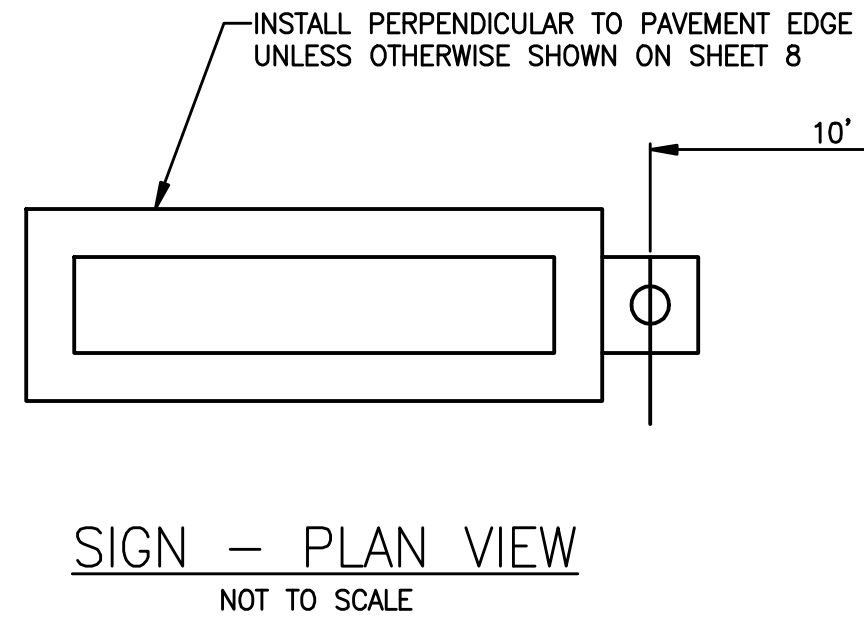
Scale 1" = 50' Job No. 06153 Sheet No. 06 of 15

REVISIONS	DATE	NO.

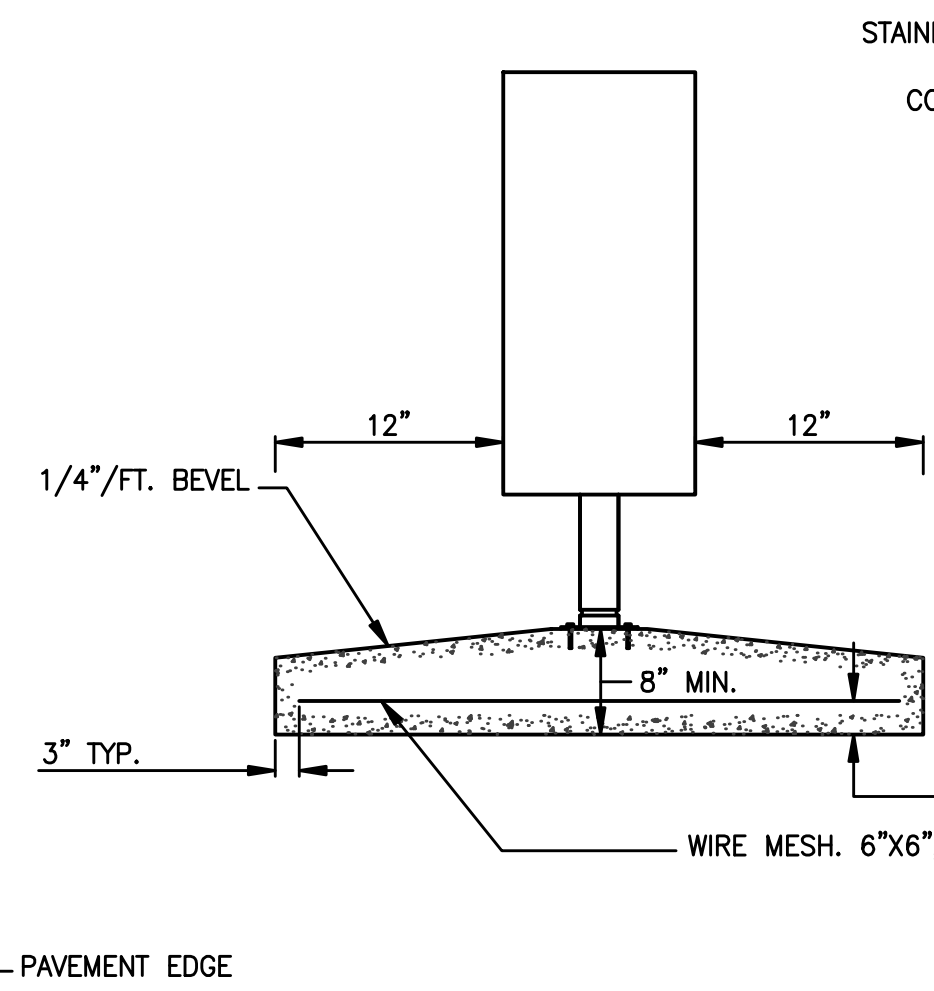
P:\Airport\06153 - Taxi Way\06 MARKING PLAN.dwg, 7/1/2009 11:13:32 AM, 1:1



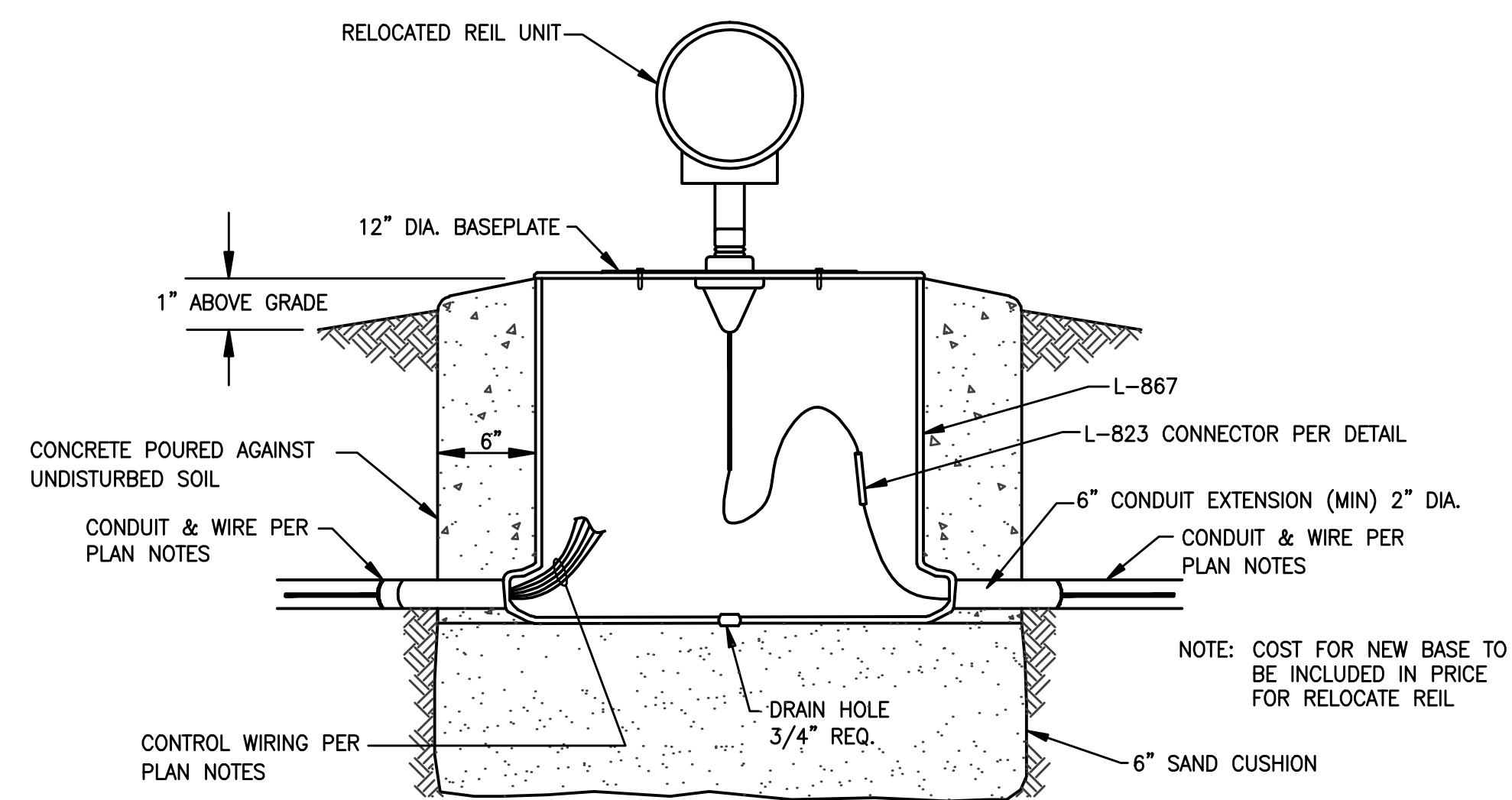
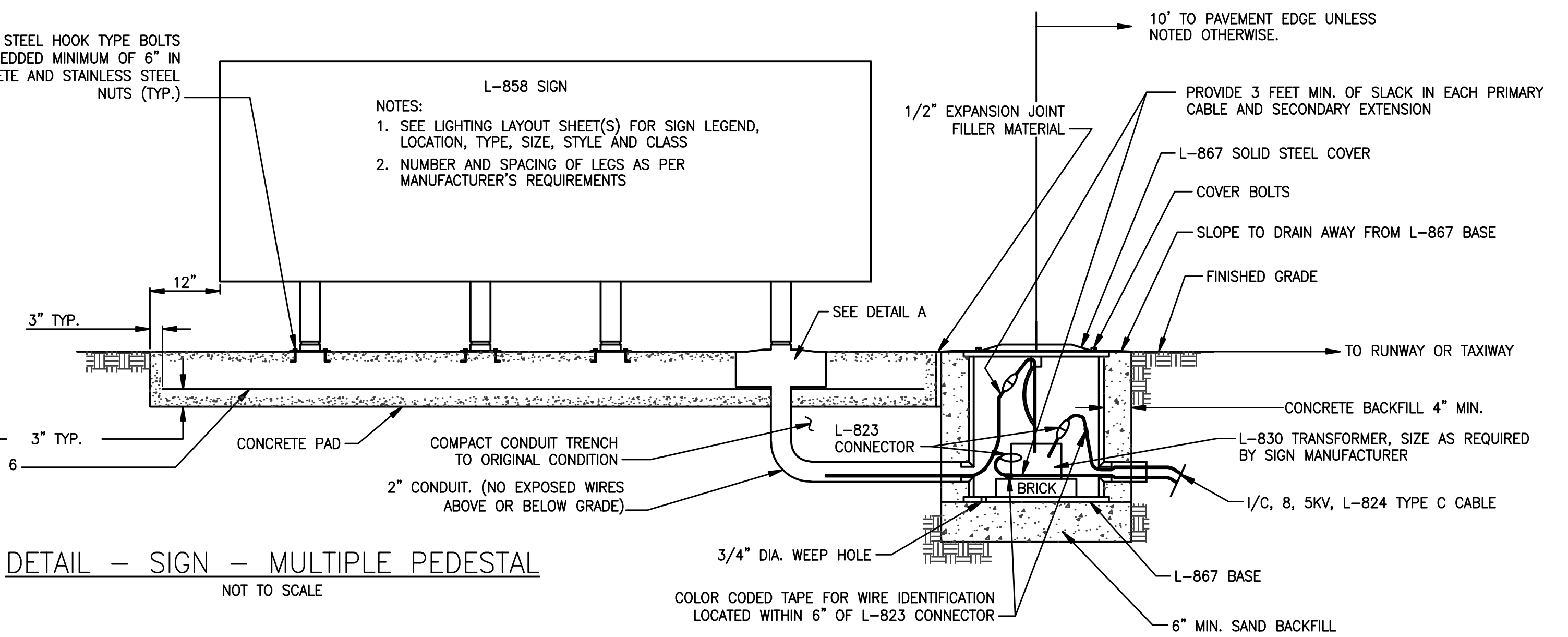
THRESHOLD LIGHT RELOCATION
SPECIAL L-867 LIGHT BASE DETAIL
(TYPICAL FOR EIGHT) NOT TO SCALE



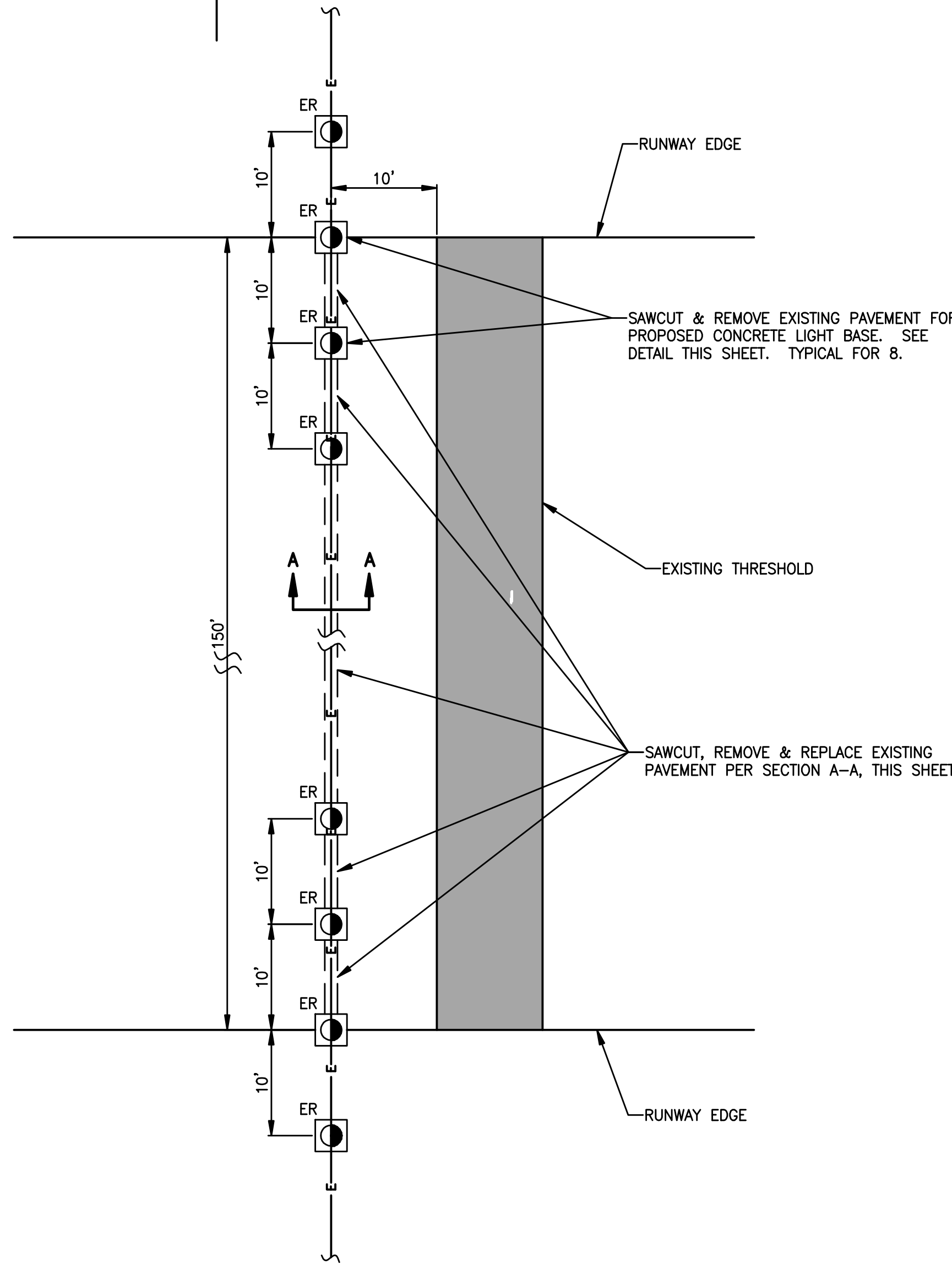
SIGN - PLAN VIEW
NOT TO SCALE



DETAIL - SIGN - MULTIPLE PEDESTAL
NOT TO SCALE

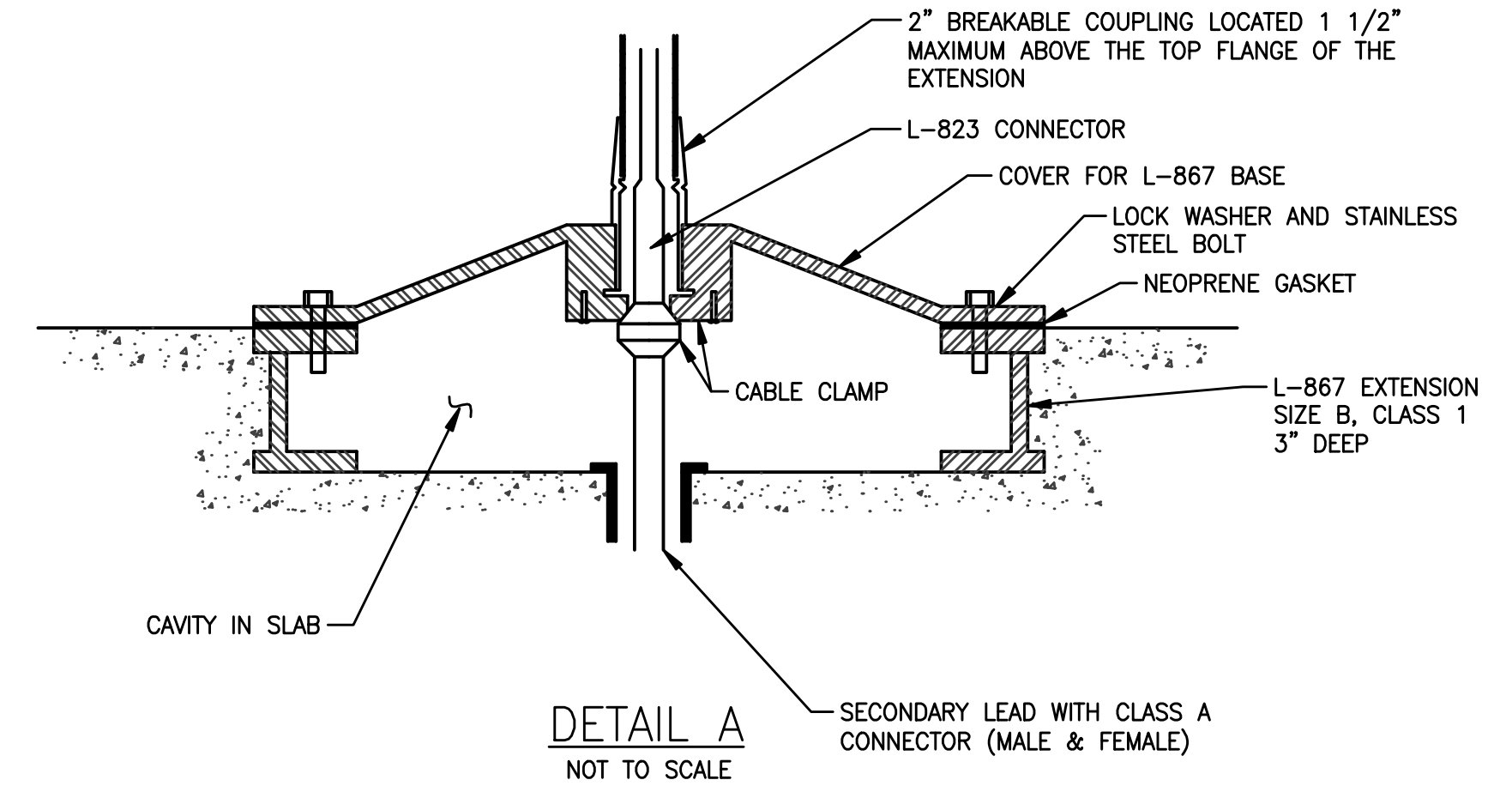


REIL SYSTEM RELOCATED
L-867 LIGHT BASE DETAIL
(TYPICAL FOR TWO) NOT TO SCALE

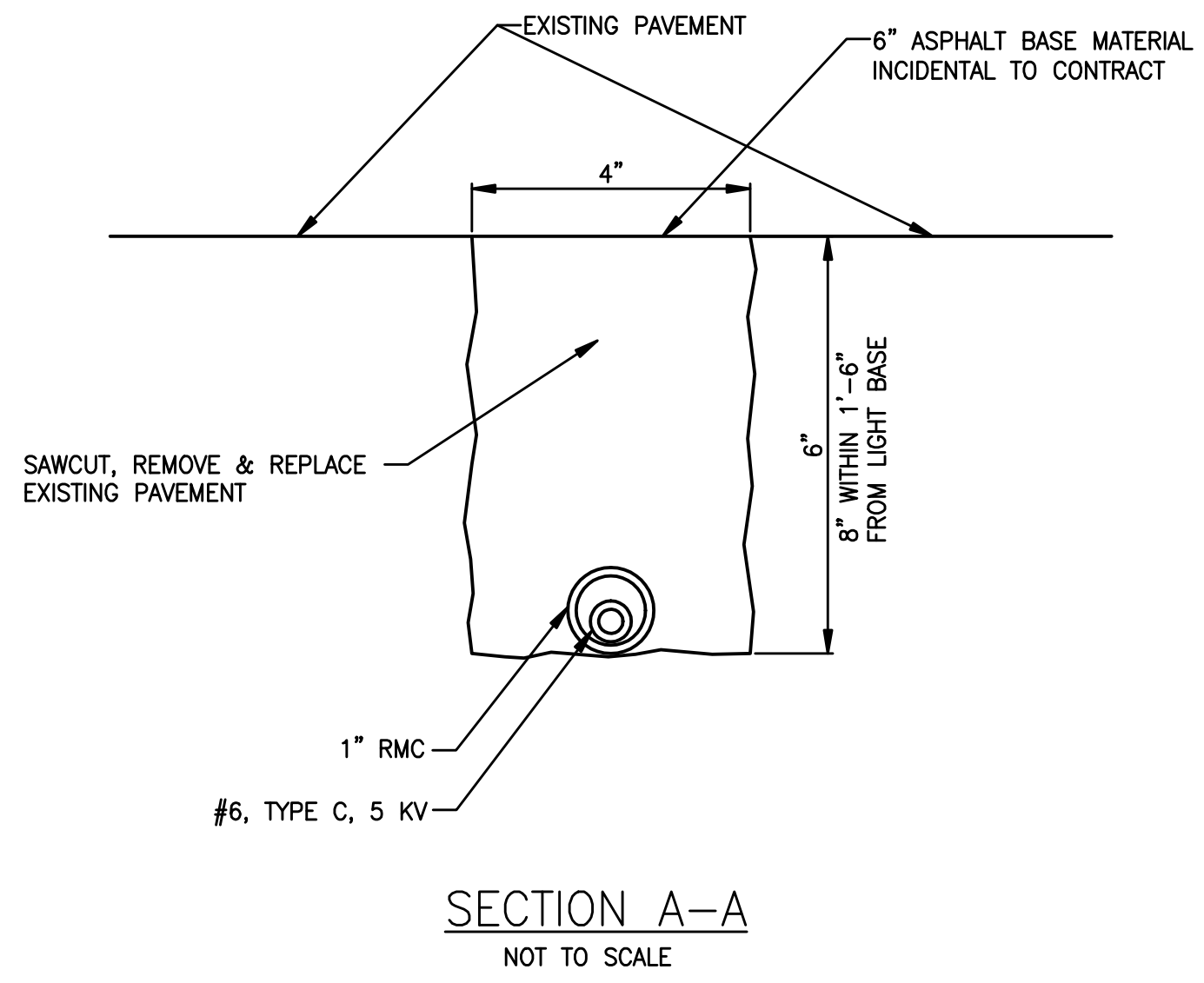


DETAIL - THRESHOLD LIGHT RELOCATION
NOT TO SCALE

GENERAL NOTE: PAVEMENT REMOVAL & REPLACEMENT SHALL BE CONSIDERED INCIDENTAL TO RELOCATION OF THRESHOLD LIGHTS PAY ITEM & NO ADDITIONAL COMPENSATION WILL BE ALLOWED.



DETAIL A
NOT TO SCALE



SECTION A-A
NOT TO SCALE

ILLINOIS PROJECT NO. MWA-3477
A.I.P. PROJECT NO. 3-17-0065-XX

STATE OF ILLINOIS PROFESSIONAL DESIGN FIRM LICENSE NO. 184-004515

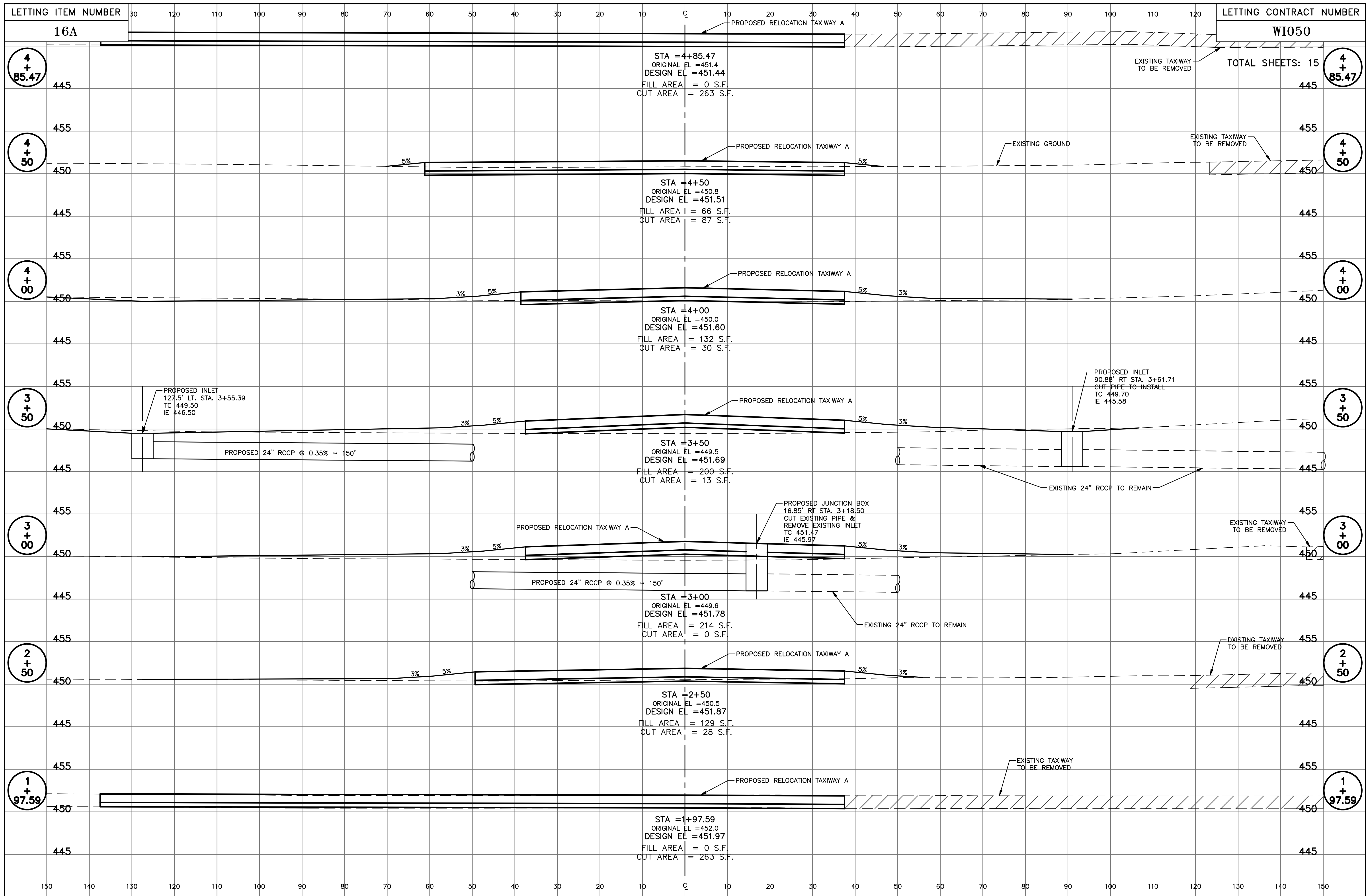
© 2007 ALL RIGHTS RESERVED

CLARIDA & ZIEGLER ENGINEERING CO.
308 South Court St, P.O. Box 937
Marion, Illinois 62959
Phone - (618)993-6411, Fax - (618)993-6750

MISC. ELECTRIC DETAILS
EAST SIDE TAXIWAY RELOCATION
WILLIAMSON COUNTY REGIONAL AIRPORT
MARION - HERRIN, ILLINOIS

REVISIONS	
DATE	NO.

Date 3/15/07 DR. By TDE CK'D By CM
Scale AS SHOWN Job No. 06153 Sheet No. 10 of 15



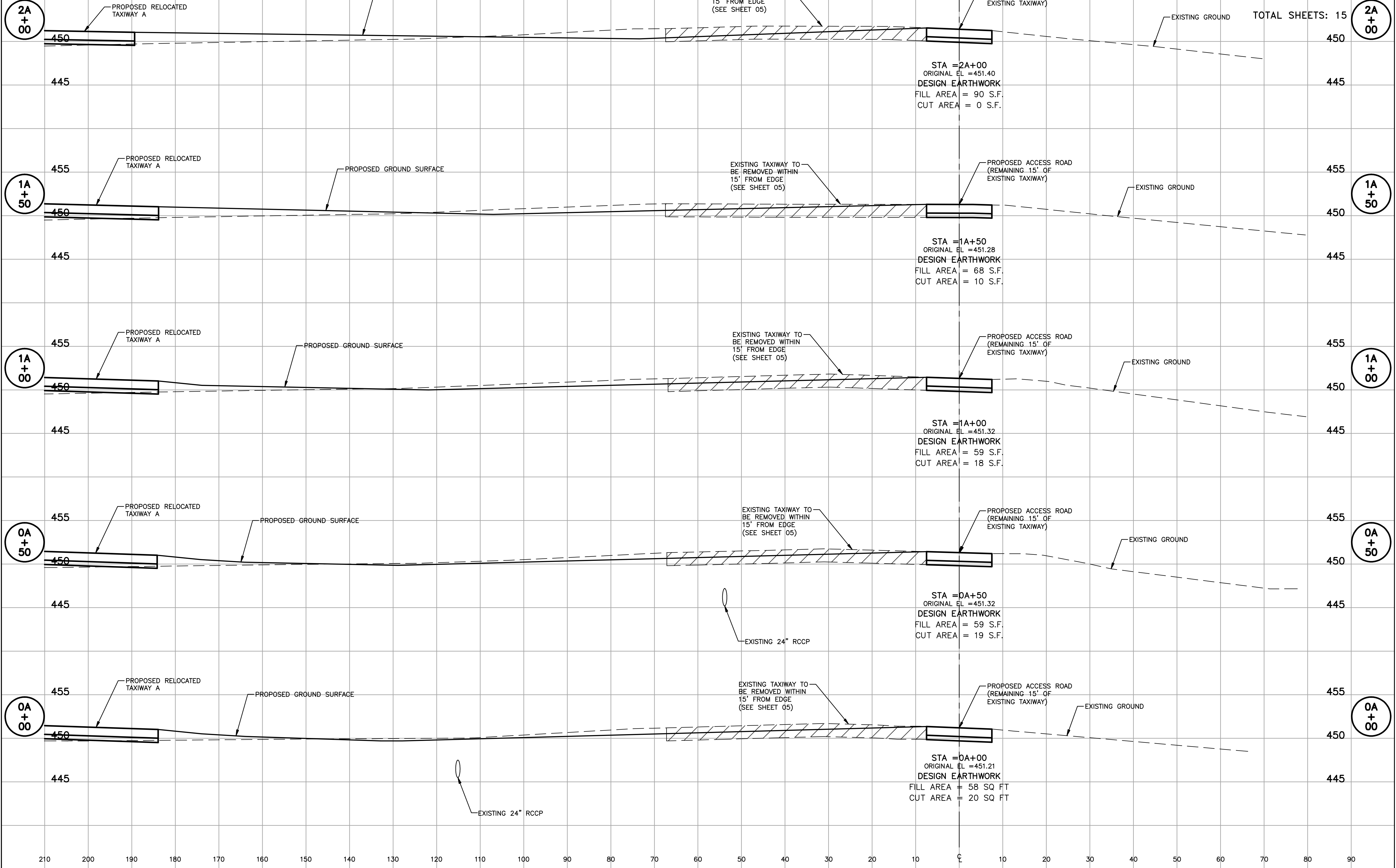
EASTSIDE TAXIWAY RELOCATION – TAXIWAY A CROSS SECTIONS – STATION 1+97.59 TO 4+85.47

P:\Airport\06153 - Taxi Way\12 TWY X SEC.dwg, 7/1/2009 11:42:19 AM, 1:1

LETTING ITEM NUMBER
16A

LETTING CONTRACT NUMBER
WI050

TOTAL SHEETS: 15



EASTSIDE TAXIWAY RELOCATION – ACCESS ROAD CROSS SECTIONS – STATION 0A+00 TO 2A+00

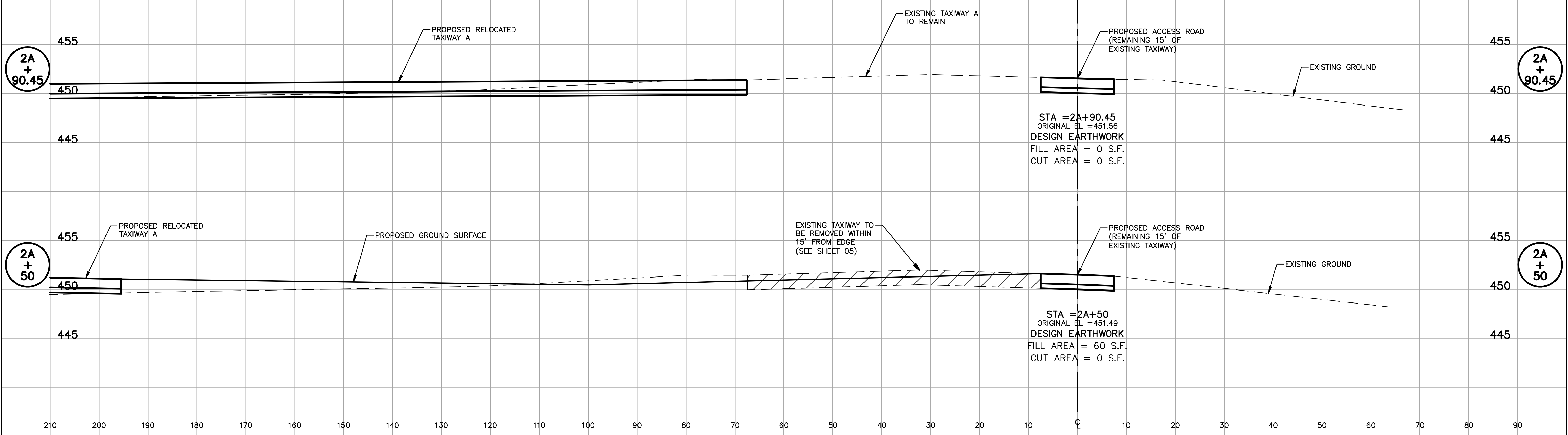
JOB NO. 06153
SH 13 OF 15

P:\Airport\06153 - Taxi Way\13 RD X SEC.dwg, 7/1/2009 11:43:41 AM, 1:1

LETTING ITEM NUMBER
16A

LETTING CONTRACT NUMBER
WI050

TOTAL SHEETS: 15



EASTSIDE TAXIWAY RELOCATION – ACCESS ROAD CROSS SECTIONS – STATION 2A+50 TO 2A+90.45

JOB NO. 06153
SH 14 OF 15

P:\Airport\06153 - Taxi Way\14 RD X SEC.dwg, 7/1/2009 11:44:33 AM, 1:1

