

FOR INDEX OF SHEETS, SEE SHEET NO. 2
 FOR LIST OF HIGHWAY STANDARDS SEE SHEET NO. 2

07-31-2015 LETTING ITEM 056

HIGHWAY CLASSIFICATION
 MAJOR COLLECTOR

TRAFFIC DATA
 CURRENT ADT (2014) = 3,450
 DESIGN ADT (2014) = 3,450

POSTED SPEED LIMIT = 45 MPH

DESIGN SPEED LIMIT = 45 MPH

STATE OF ILLINOIS
 DEPARTMENT OF TRANSPORTATION
 DIVISION OF HIGHWAYS

PLANS FOR PROPOSED
 FEDERAL AID HIGHWAY

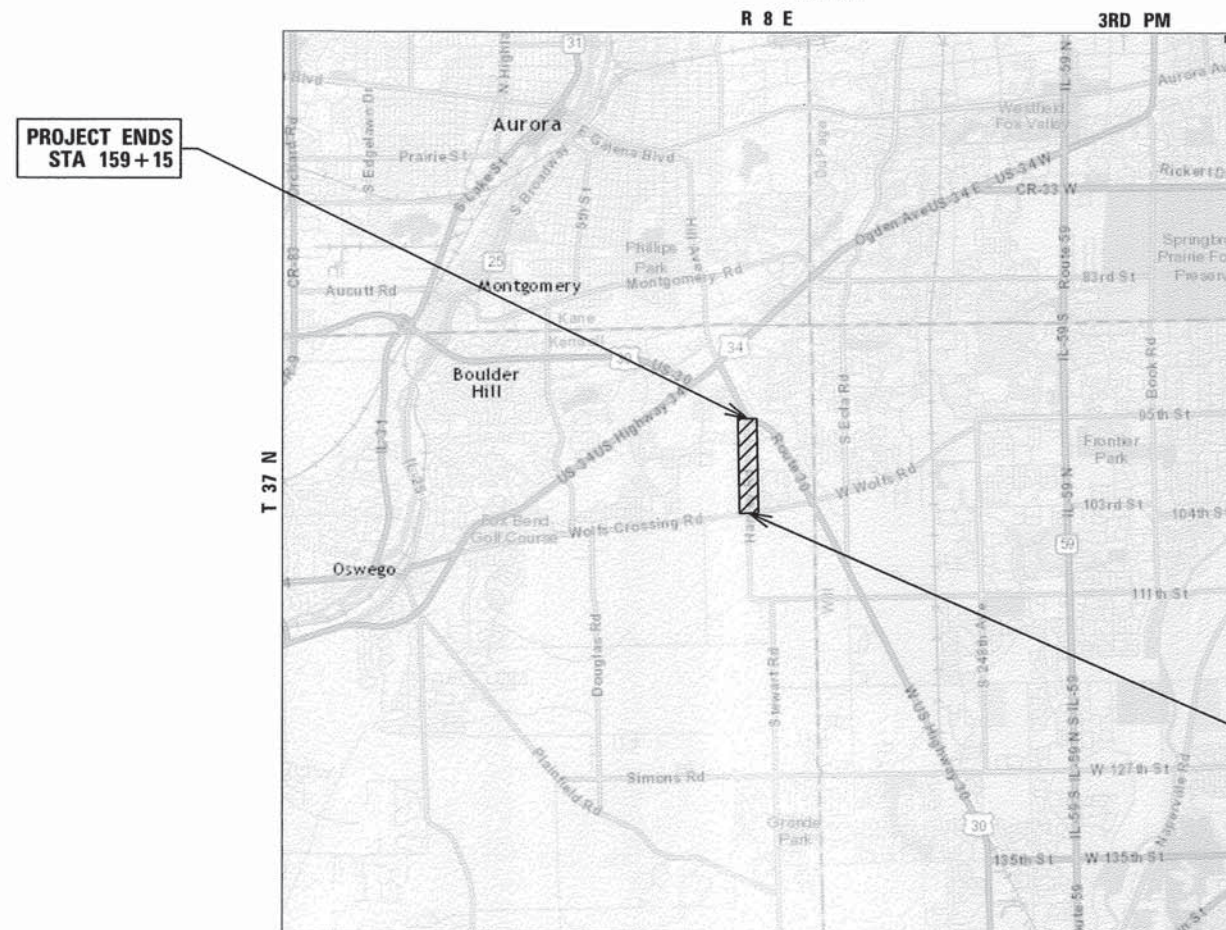
FAU 2512 (HARVEY ROAD)
 FAP 349 (US ROUTE 30) TO FAU 1577 (WOLF'S CROSSING ROAD)
 SURFACE TRANSPORTATION URBAN FUNDS
 SECTION: 15-00049-00-RS
 PROJECT NO.: M-4003(528)
 VILLAGE OF OSWEGO
 KENDALL COUNTY
 C-93-110-15

PROJECT LOCATION MAP
 N.T.S.

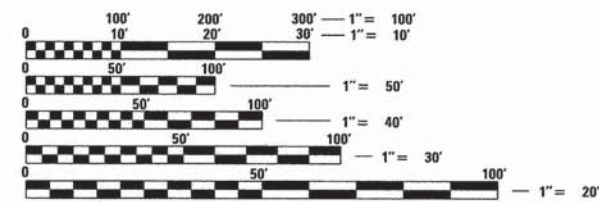
F.A. RTE.	SECTION	COUNTY	TOTAL SHEETS	SHEET NO.
2512	15-00049-00-RS	KENDALL	12	1
FED. ROAD DIST. NO 3		ILLINOIS	CONTRACT NO. 87629	



B. Hartman
 BENJAMIN D. HARTMAN, P.E.
 EXPIRES: 11-30-15



PROJECT BEGINS
 STA 100+15



FULL SIZE PLANS HAVE BEEN PREPARED USING STANDARD ENGINEERING SCALES. REDUCED SIZED PLANS WILL NOT CONFORM TO STANDARD SCALES. IN MAKING MEASUREMENTS ON REDUCED PLANS, THE ABOVE SCALES MAY BE USED.

J.U.L.I.E.
 JOINT UTILITY LOCATION INFORMATION FOR EXCAVATION
 1-800-892-0123 OR 811

DESIGN ENGINEER: B. HARTMAN
 PROJECT MANAGER: A. CHAUDHRY
 CONTRACT NO. 87629

PROJECT LENGTH
 GROSS LENGTH OF PROJECT = 5,900 FT. = 1.117 MILE
 NET LENGTH OF PROJECT = 4,892 FT. = 0.927 MILE

STATE OF ILLINOIS
 DEPARTMENT OF TRANSPORTATION
 DIVISION OF HIGHWAYS

SUBMITTED *May 12* 2015
Benjamin M. Hughes PE CFM
 Public Works Director VILLAGE OF OSWEGO

RELEASING FOR BID
 BASED ON LIMITED
 REVIEW
Samuel R. E. D.
 DISTRICT THREE ENGINEER OF LOCAL ROADS & STREETS

Paul A. Lutz
 DEPUTY DIRECTOR OF HIGHWAYS, REGION TWO ENGINEER

420 NORTH FRONT STREET, SUITE 100 | McHENRY, ILLINOIS 60050
 Phone: 815.385.1778 | Toll Free: 800.728.7805 | Fax: 815.385.1781 | HRGreen.com
 ILLINOIS PROFESSIONAL DESIGN FIRM #184-001322

PRINTED BY THE AUTHORITY
 OF THE STATE OF ILLINOIS

INDEX OF SHEETS

1	COVER SHEET
2	INDEX OF SHEETS AND STATE HIGHWAY STANDARDS AND GENERAL NOTES
3	SUMMARY OF QUANTITIES
4	TYPICAL SECTIONS
5 - 7	RESURFACING PLANS
8	CURB OR CURB AND GUTTER REMOVAL AND REPLACEMENT
9	BUTT JOINT AND HMA TAPER DETAILS
10	TEMPORARY INFORMATION SIGNING
11 - 12	DISTRICT THREE URBAN PAVEMENT MARKING

STATE HIGHWAY STANDARDS

STANDARD NO.	LIST OF DESCRIPTION
000001-06	STANDARD SYMBOLS, ABBREVIATIONS AND PATTERNS
420001-08	PAVEMENT JOINTS
424001-08	PERPENDICULAR CURB RAMPS FOR SIDEWALKS
424021-03	DEPRESSED CORNER FOR SIDEWALKS
424026-01	ENTRANCE / ALLEY PEDESTRIAN CROSSINGS
442201-03	CLASS C AND D PATCHES
604001-04	FRAME AND LIDS, TYPE 1
604051-04	FRAME AND GRATE, TYPE 11
606001-06	CONCRETE CURB TYPE B AND COMBINATION CONCRETE CURB AND GUTTER
701301-04	LANE CLOSURE, 2L, 2W, SHORT TIME OPERATIONS
701311-03	LANE CLOSURE 2L, 2W, MOVING OPERATIONS-DAY ONLY
701501-06	URBAN LANE CLOSURE, 2L, 2W, UNDIVIDED
701701-09	URBAN LANE CLOSURE, MULTILANE INTERSECTION
701801-05	SIDEWALK, CORNER OR CROSSWALK CLOSURE
701901-04	TRAFFIC CONTROL DEVICES
780001-05	TYPICAL PAVEMENT MARKINGS

DISTRICT THREE STANDARDS

STANDARD NO.	LIST OF DESCRIPTION
406-8	HMA DETAIL AT BUTT JOINTS
424-29	ADA SIDEWALK ACCESSIBILITY RAMP DETAIL
442-1	PAVEMENT PATCHING FOR HMA SURFACED PAVEMENT
606-4	REINFORCEMENT DETAIL FOR COMBINATION CONCRETE CURB AND GUTTER
606-10	DETAILS FOR CURB & GUTTER REPLACEMENT CATCH BASIN OR INLETS TO BE ADJUSTED OR RECONSTRUCTED
720-8	TEMPORARY INFORMATION SIGNING

GENERAL NOTES

- ALL REFERENCES TO "STANDARD SPECIFICATIONS" IN THESE GENERAL NOTES SHALL BE INTERPRETED TO MEAN "STANDARD SPECIFICATIONS FOR ROAD AND BRIDGE CONSTRUCTION" ADOPTED BY THE ILLINOIS DEPARTMENT OF TRANSPORTATION, JANUARY 1, 2012. ALL WORK TO BE COMPLETED IN ACCORDANCE WITH THE STANDARD SPECIFICATIONS.
- PRIOR TO COMMENCEMENT OF CONSTRUCTION, THE CONTRACTOR SHALL VERIFY ALL DIMENSIONS AND CONDITIONS AFFECTING THEIR WORK WITH THE ACTUAL CONDITIONS AT THE JOB SITE. IF THERE ARE ANY DISCREPANCIES FROM WHAT IS SHOWN ON THE CONSTRUCTION PLANS, HE MUST IMMEDIATELY REPORT SAME TO THE ENGINEER BEFORE DOING ANY WORK, OTHERWISE THE CONTRACTOR ASSUMES FULL RESPONSIBILITY. IN THE EVENT OF DISAGREEMENT BETWEEN THE CONSTRUCTION PLANS, STANDARD SPECIFICATIONS AND/OR SPECIAL DETAILS, THE CONTRACTOR SHALL SECURE WRITTEN INSTRUCTIONS FROM THE ENGINEER PRIOR TO PROCEEDING WITH ANY PART OF THE WORK AFFECTED BY OMISSIONS OR DISCREPANCIES. FAILING TO SECURE SUCH INSTRUCTIONS, THE CONTRACTOR WILL BE CONSIDERED TO HAVE PROCEEDED AT HIS OWN RISK AND EXPENSE. IN THE EVENT OF ANY DOUBT OR QUESTION ARISING WITH RESPECT TO THE TRUE MEANING OF THE CONSTRUCTION PLANS OR SPECIFICATIONS, THE DECISION OF THE ENGINEER SHALL BE FINAL AND CONCLUSIVE.
- BEFORE STARTING ANY EXCAVATION, THE CONTRACTOR SHALL CALL "JULIE" (JOINT UTILITY LOCATION INFORMATION FOR EXCAVATION) AT 8-1-1 FOR FIELD LOCATIONS OF BURIED UTILITIES (48 HOURS NOTIFICATION IS REQUIRED).
- ALL ELEVATIONS SHOWN ON THE PLANS ARE ON THE NAVD 88 DATUM.
- THE CONTRACTOR SHALL PROTECT AND CAREFULLY PRESERVE ALL SECTION OR SUBSECTION MONUMENTS, PROPERTY CORNERS, AND REFERENCE MARKERS UNTIL THE OWNER, HIS AGENT, OR AN AUTHORIZED SURVEYOR HAS WITNESSED OR OTHERWISE REFERENCED THEIR LOCATIONS.
- OFFSET LOCATIONS GIVEN IN THE PLANS FOR STRUCTURES, EDGE OF PAVEMENT, ETC. ARE FROM THE ROADWAY CENTERLINE.
- SAW CUTTING OF PAVEMENTS, CURB AND GUTTER, SIDEWALK, ETC. SHALL BE TO FULL DEPTH AND SHALL RESULT IN A CLEAN STRAIGHT EDGE ON THE PORTION REMAINING. ALL SAW CUTTING SHALL BE CONSIDERED INCLUDED IN THE ITEM REMOVED.
- IN ADDITION TO THE REQUIREMENTS OF SECTION 107.01 OF THE STANDARD SPECIFICATIONS, THE CONTRACTOR SHALL BE RESPONSIBLE FOR THE PROPER REMOVAL AND DISPOSAL OF EXCAVATED MATERIALS FROM THE PROJECT SITE. THE CONTRACTOR WILL MEET ALL REQUIREMENTS SET FORTH BY THE IEPA AND PUBLIC ACT 96-1416 IN REGARDS TO CLEAN CONSTRUCTION AND DEMOLITION DEBRIS WHICH MAY INCLUDE, BUT NOT LIMITED TO, FIELD AND LABORATORY ANALYSES, CERTIFICATION FROM A LICENSED PROFESSIONAL ENGINEER, DUMPING FEES AND DOCUMENTATION. THIS WORK SHALL NOT BE PAID FOR SEPARATELY, BUT WILL BE INCLUDED IN THE CONTRACT UNIT PRICE OF THE ITEM BEING REMOVED OR INSTALLED. NO ADDITIONAL COMPENSATION WILL BE PROVIDED.
- THE CONTRACTOR SHALL PAY SPECIAL ATTENTION TO CURB MARKINGS, WATER AND SANITARY SERVICE LOCATIONS HAVE BEEN MARKED WITH 'W' AND 'S' SYMBOLS THROUGHOUT THE PROJECT LIMITS. THESE MARKINGS MUST BE LOCATED BY THE CONTRACTOR AND REPLACED DURING FINISHING OF THE CONCRETE WORK. THIS WORK WILL BE INCLUDED IN THE COST OF THE CONCRETE CURB BEING CONSTRUCTED.
- MATERIALS RESULTING FROM THE REMOVAL OF ASPHALT SURFACES, CONCRETE REMOVAL, UTILITY STRUCTURE ADJUSTMENTS, GRADING WORK, ETC. SHALL BE REMOVED AT THE END OF EACH DAY TO AN APPROVED SITE. IN THE JUDGEMENT OF THE ENGINEER, SHOULD IT BE NECESSARY TO REMOVE SUCH MATERIALS, THE ENGINEER WILL HAVE THE MATERIAL REMOVED AND THE CONTRACTOR SHALL HAVE THE DOLLAR AMOUNT REDUCED FROM THE NEXT PAY ESTIMATE.
- THE CONTRACTOR SHALL PERSONALLY NOTIFY THE VILLAGE AND SCHOOL THAT THEY WILL BE WORKING ON THE STREET ADJACENT TO THE SCHOOL AND SCHEDULE WORK TO AVOID CONSTRUCTION ACTIVITY WHEN CHILDREN ARE PRESENT. THE CONTRACTOR SHALL ALSO MAKE ADJUSTMENTS TO WORK SCHEDULES TO ACCOMMODATE EVENTS THAT WOULD INVOLVE LARGE NUMBERS OF VEHICLES AND PEOPLE. NO COMPENSATION WILL BE PAID FOR ANY INCONVENIENCE, DELAY, OR LOSS EXPERIENCED BY THE CONTRACTOR BECAUSE OF ADJUSTMENTS TO THEIR NORMAL SCHEDULE.
- THE MINIMUM GUTTER FLAG DEPTH OF THE NEW CURB AND GUTTER WILL BE TEN INCHES (10") REGARDLESS OF THE SIZE AND TYPE OF EXISTING CURB AND GUTTER. ADDITIONAL EXCAVATION REQUIRED FOR THE INSTALLATION OF THE REPLACEMENT CURB AND GUTTER WILL NOT BE PAID FOR SEPARATELY, BUT INCLUDED IN THE CONTRACT UNIT PRICE FOR COMBINATION CONCRETE CURB AND GUTTER REMOVAL AND REPLACEMENT.
- SIDEWALK REMOVAL AND REPLACEMENT AND COMBINATION CONCRETE CURB AND GUTTER REMOVAL AND REPLACEMENT AS SHOWN ON THE PLANS IS FOR INFORMATIONAL PURPOSES ONLY. ACTUAL LOCATIONS AND QUANTITIES TO BE DETERMINED AND MARKED BY THE ENGINEER PRIOR TO CONSTRUCTION.
- THE SPACING OF JOINTS FOR COMBINATION CONCRETE CURB AND GUTTER SHALL BE: CONTRACTION JOINTS = 12'-0" AND EXPANSION JOINTS = 60'-0".
- DURING PATCHING OPERATIONS IF IT IS DETERMINED THAT LESS THAN 4" OF AGGREGATE SUBBASE EXISTS, THE CONTRACTOR SHALL PROVIDE A MINIMUM OF 4" OF SUBBASE GRANULAR MATERIAL TO THE AREA PRIOR TO THE PLACEMENT OF THE ASPHALT PATCH. THIS WORK WILL NOT BE PAID FOR SEPARATELY AND SHALL BE INCLUDED IN THE BID PRICE FOR "SUBBASE GRANULAR MATERIAL, TYPE B 4".

GENERAL NOTES (CONT.)

- STORM SEWERS, WATER MAINS, AND UTILITIES**
- THE CONTRACTOR SHALL BE RESPONSIBLE FOR CONTACTING THE OWNERS OF ALL UTILITIES PRIOR TO CONSTRUCTION TO DETERMINE THE LOCATION OF ALL UTILITY EQUIPMENT. THE CONTRACTOR SHALL COOPERATE WITH ALL UTILITY OWNERS IN ACCORDANCE WITH THE STANDARD SPECIFICATIONS IF UTILITY RELOCATION, ADJUSTMENT, OR PROTECTION IS NECESSARY.
 - THE LOCATION OF EXISTING DRAINAGE STRUCTURES, STORM SEWERS, WATER MAINS, SANITARY SEWERS, AND ANY OTHER PUBLIC OR PRIVATE UTILITIES AS SHOWN ON THE PLANS IS APPROXIMATE AND THEIR EXACT LOCATION IS TO BE DETERMINED IN THE FIELD BY THE CONTRACTOR. THIS WORK SHALL BE CONSIDERED AS INCLUDED IN THE UNIT BID PRICES OF THE CONTRACT, AND NO ADDITIONAL COMPENSATION WILL BE ALLOWED.
 - THE CONTRACTOR SHALL BE RESPONSIBLE FOR THE PROTECTION OF ALL UNDERGROUND AND SURFACE UTILITIES EVEN THOUGH THEY MIGHT NOT BE SHOWN ON THE PLANS. ANY UTILITY PROPERTY DAMAGED DURING CONSTRUCTION SHALL BE REPAIRED OR REPLACED TO THE SATISFACTION OF THE OWNER AT THE CONTRACTOR'S EXPENSE.
 - THE CONTRACTOR SHALL USE ALL NECESSARY PRECAUTIONS AND PROTECTION MEASURES REQUIRED TO MAINTAIN EXISTING UTILITIES, SEWERS, AND APPURTENANCES THAT MUST BE KEPT IN OPERATION.
 - ANY LOOSE MATERIAL DEPOSITED IN THE FLOW LINE OF DRAINAGE STRUCTURES, WHICH OBSTRUCTS THE NATURAL FLOW OF WATER SHALL BE REMOVED AT THE CLOSE OF EACH WORKING DAY. PRIOR TO ACCEPTANCE OF THE IMPROVEMENT, ALL DRAINAGE STRUCTURES SHALL BE FREE OF DIRT AND DEBRIS. THIS WORK WILL NOT BE PAID FOR SEPARATELY, BUT SHALL BE CONSIDERED AS INCLUDED IN THE UNIT BID PRICES OF THE CONTRACT.
 - ALL FRAMES, GRATES, LIDS, AND BOXES SCHEDULED TO BE REMOVED FROM EXISTING STRUCTURES SHALL REMAIN THE PROPERTY AND BE DELIVERED TO THE PUBLIC WORKS DEPARTMENT AT 100 THEODORE DRIVE, AS APPLICABLE.
 - ALL FRAMES WITH CLOSED LIDS TO BE FURNISHED AS PART OF THE CONTRACT FOR CONSTRUCTION, ADJUSTMENT OR RECONSTRUCTION OF ANY MANHOLE, CATCH BASIN, OR INLET, SHALL HAVE CAST INTO THE LID ONE OF THE FOLLOWING WORDS: ALL LIDS TO BE USED ON STORM SEWER STRUCTURES SHALL BEAR THE WORD "STORM." ANY ADDITIONAL COST FOR THIS REQUIREMENT WILL NOT BE PAID FOR SEPARATELY, BUT SHALL BE CONSIDERED AS INCLUDED IN THE UNIT BID PRICES OF THE STRUCTURE BEING INSTALLED.
 - THE INDISCRIMINATE USE OF FIRE HYDRANTS OR EXISTING STREAMS, CREEKS, WETLANDS OR PONDS IS STRICTLY PROHIBITED. THE CONTRACTOR SHALL PROVIDE A WATER TRUCK AND DRIVER AS REQUIRED TO OBTAIN AND TRANSPORT THIS WATER. THE CONTRACTOR SHALL BE RESPONSIBLE FOR OBTAINING WATER FROM AN APPROVED SOURCE. IF THIS WATER IS FROM A SOURCE OTHER THAN HIS YARD, WRITTEN APPROVAL FROM THE AGENCY HAVING JURISDICTION FOR THE SOURCE OF THE WATER MUST BE RECEIVED BY THE ENGINEER PRIOR TO USE OF THE WATER.
 - ONLY PRECAST CONCRETE ADJUSTMENT RINGS, MAXIMUM OF 12" IN HEIGHT, WILL BE ALLOWED IN THE ADJUSTMENT OR RECONSTRUCTION OF CATCH BASIN, MANHOLE, INLET AND VALVE VAULT STRUCTURES. COMMON BRICK WILL NOT BE ALLOWED. THE RINGS SHALL BE INCLUDED IN THE COST OF WORK BEING PERFORMED.

SIGNING AND STRIPING

- SEE IDOT DISTRICT THREE PLAN SHEETS FOR PAVEMENT MARKING DETAILS.

SEQUENCE OF CONSTRUCTION - ROADWAY

- IT WILL BE THE CONTRACTOR'S RESPONSIBILITY TO NOTIFY RESIDENTS AND THE VILLAGE WHEN ACCESS TO THEIR DRIVEWAYS WILL BE TEMPORARILY CLOSED DUE TO CONCRETE CURB AND GUTTER INSTALLATION OR SIDEWALK CONSTRUCTION. AT LOCATIONS WHERE NEW GUTTER OR SIDEWALK IS TO BE INSTALLED ACROSS A DRIVEWAY, THE CONTRACTOR SHALL CONTACT THE HOMEOWNER 48 HOURS PRIOR TO REMOVING THE PAVEMENT. THE CONTRACTOR SHALL DISTRIBUTE NOTICES, PROVIDED BY THE VILLAGE, TO RESIDENTS. EVERY EFFORT SHALL BE MADE TO ACCOMMODATE ACCESS TO THESE PROPERTIES (KNOCK ON DOORS WHEN A DRIVEWAY IS ABOUT TO BE CLOSED).
- THE CONTRACTOR SHALL NOT BE ALLOWED TO CLOSE A DRIVEWAY FOR MORE THAN 48 HOURS UNDER ANY CIRCUMSTANCES. THE CONTRACTOR SHALL BE RESPONSIBLE FOR MAINTAINING BARRICADES TO PREVENT TRAFFIC FROM USING DRIVEWAYS DURING THIS PERIOD.
- THE CONTRACTOR SHALL FILL THE HOLES CREATED BY THE REMOVAL OF THE DRIVEWAY PAVEMENT WHERE NEW CURB AND GUTTER OR SIDEWALK HAS BEEN CONSTRUCTED WITH AGGREGATE BASE COURSE (CA-6 CRUSHED) SO THAT THE RESIDENTS CAN USE THEIR DRIVEWAYS UNTIL THE START OF INSTALLATION OF THE CONCRETE GUTTER, SIDEWALK AND/OR DRIVEWAY PAVEMENT. THE COST OF THE AGGREGATE BASE COURSE WILL BE PAID FOR AS AGGREGATE FOR TEMPORARY ACCESS.

COMPANY NAME: HRGreen.com
 PROJECT CONTACT: Illinois Professional Design Firm
 CLIENT: #184-01322
 DATE PLOTTED: 5/12/2015 3:24:20 PM
 FILE NAME: # 025-sht-gen_01.dgn
 PLOT SCALE: N.T.S.
 PEN TABLE:



USER NAME = bhartha	DESIGNED - BDH	REVISED -
FILE NAME = 025-sht-gen_01.dgn	DRAWN - DS	REVISED -
PLOT SCALE = N.T.S.	CHECKED - TH	REVISED -
PLOT DATE = 5/12/2015	DATE - 05/12/15	REVISED -

**STATE OF ILLINOIS
DEPARTMENT OF TRANSPORTATION**

INDEX OF SHEETS AND STATE HIGHWAY STANDARDS AND GENERAL NOTES			
SCALE: N.T.S.	SHEET NO. 1 OF 1 SHEETS	STA. TO STA.	

F.A.U. RTE.	SECTION	COUNTY	TOTAL SHEETS	SHEET NO.
2512	15-00049-00-RS	KENDALL	12	2
CONTRACT NO.				87629
FED. ROAD DIST. NO.		ILLINOIS FED. AID PROJECT		

PAYCODE	ITEM DESCRIPTION	UNIT	TOTAL	ROADWAY 80% FED 20% LOCAL 0005
20101400	NITROGEN FERTILIZER NUTRIENT	POUND	1	1
20101500	PHOSPHORUS FERTILIZER NUTRIENT	POUND	1	1
20101600	POTASSIUM FERTILIZER NUTRIENT	POUND	1	1
20201200	REMOVAL AND DISPOSAL OF UNSUITABLE MATERIAL	CU YD	90	90
21101615	TOPSOIL FURNISH AND PLACE, 4"	SQ YD	20	20
25200110	SODDING, SALT TOLERANT	SQ YD	20	20
31101200	SUBBASE GRANULAR MATERIAL, TYPE B 4"	SQ YD	805	805
* 40201000	AGGREGATE FOR TEMPORARY ACCESS	TON	63	63
* 40600275	BITUMINOUS MATERIALS (PRIME COAT)	POUND	8,555	8,555
40600982	HOT-MIX ASPHALT SURFACE REMOVAL - BUTT JOINT	SQ YD	363	363
40603080	HOT-MIX ASPHALT BINDER COURSE, IL-19.0, N50	TON	900	900
40603335	HOT-MIX ASPHALT SURFACE COURSE, MIX "D", N50	TON	1,590	1,590
42300200	PORTLAND CEMENT CONCRETE DRIVEWAY PAVEMENT, 6 INCH	SQ YD	78	78
42400200	PORTLAND CEMENT CONCRETE SIDEWALK 5 INCH	SQ FT	90	90
42400800	DETECTABLE WARNINGS	SQ FT	31	31
44000156	HOT-MIX ASPHALT SURFACE REMOVAL, 1 3/4"	SQ YD	16,330	16,330
44000200	DRIVEWAY PAVEMENT REMOVAL	SQ YD	156	156
44000600	SIDEWALK REMOVAL	SQ FT	90	90
44201713	CLASS D PATCHES, TYPE I, 6 INCH	SQ YD	80	80
44201717	CLASS D PATCHES, TYPE II, 6 INCH	SQ YD	160	160
44201721	CLASS D PATCHES, TYPE III, 6 INCH	SQ YD	240	240
44201723	CLASS D PATCHES, TYPE IV, 6 INCH	SQ YD	320	320
48101200	AGGREGATE SHOULDERS, TYPE B	TON	170	170
60300105	FRAMES AND GRATES TO BE ADJUSTED	EACH	3	3
60404800	FRAMES AND GRATES, TYPE 11	EACH	2	2
67100100	MOBILIZATION	L SUM	1	1
70102620	TRAFFIC CONTROL AND PROTECTION, STANDARD 701501	L SUM	1	1
70102640	TRAFFIC CONTROL AND PROTECTION, STANDARD 701801	L SUM	1	1
70300100	SHORT TERM PAVEMENT MARKING	FOOT	2,030	2,030
70301000	WORK ZONE PAVEMENT MARKING REMOVAL	SQ FT	760	760
+ 78000100	THERMOPLASTIC PAVEMENT MARKING - LETTERS AND SYMBOLS	SQ FT	167	167
+ 78000200	THERMOPLASTIC PAVEMENT MARKING - LINE 4"	FOOT	11,235	11,235
+ 78000400	THERMOPLASTIC PAVEMENT MARKING - LINE 6"	FOOT	1,498	1,498
+ 78000600	THERMOPLASTIC PAVEMENT MARKING - LINE 12"	FOOT	297	297
+ 78000650	THERMOPLASTIC PAVEMENT MARKING - LINE 24"	FOOT	45	45
* X6063000	CONCRETE GUTTER, TYPE B (SPECIAL)	FOOT	200	200
* Z0004530	HOT-MIX ASPHALT DRIVEWAY PAVEMENT, 8"	SQ YD	123	123
* Z0030850	TEMPORARY INFORMATION SIGNING	SQ FT	52	52
* Z0004562	COMBINATION CONCRETE CURB & GUTTER REMOVAL & REPLACEMENT	FOOT	390	390

* SPECIAL PROVISION
+ SPECIALTY ITEMS

COMPANY NAME: HRGreen.com
 PROJECT CONTACT: HRGreen
 DATE PLOTTED: 5/12/2015 3:26:23 PM
 FILE NAME: 025-sh1-sum.01.dgn
 PLOT DRIVER: pnf.plt
 PEN TABLE: standard-trans.tbl



USER NAME = bhar-tem
 FILE NAME = 025-sh1-sum.01.dgn
 PLOT SCALE = N.T.S.
 PLOT DATE = 5/12/2015

DESIGNED - BDH
 DRAWN - DS
 CHECKED - TH
 DATE - 05/12/15

REVISED -
 REVISED -
 REVISED -
 REVISED -

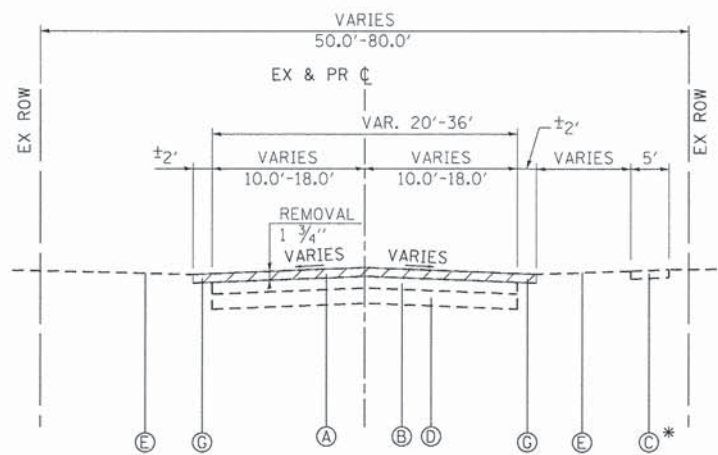
STATE OF ILLINOIS
 DEPARTMENT OF TRANSPORTATION

SUMMARY OF QUANTITIES

SCALE: N.T.S. SHEET NO. 1 OF 1 SHEETS STA. TO STA.

F.A.U. RTE.	SECTION	COUNTY	TOTAL SHEETS	SHEET NO.
2512	15-00049-00-RS	KENDALL	12	3
CONTRACT NO.				87629

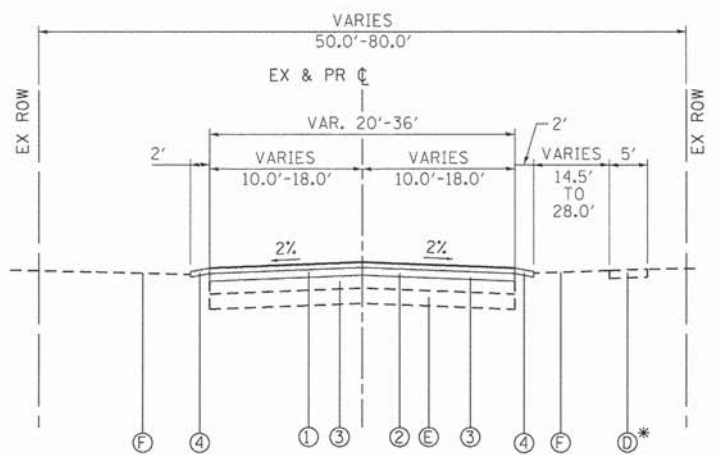
FED. ROAD DIST. NO. ILLINOIS FED. AID PROJECT



EXISTING TYPICAL SECTION

HARVEY ROAD
US ROUTE 30 TO WOLF'S CROSSING ROAD
STA 100+15 TO STA 109+41
STA 128+04 TO STA 158+56
** RESURFACING OMISSION STA 140+85 TO STA 150+93 **

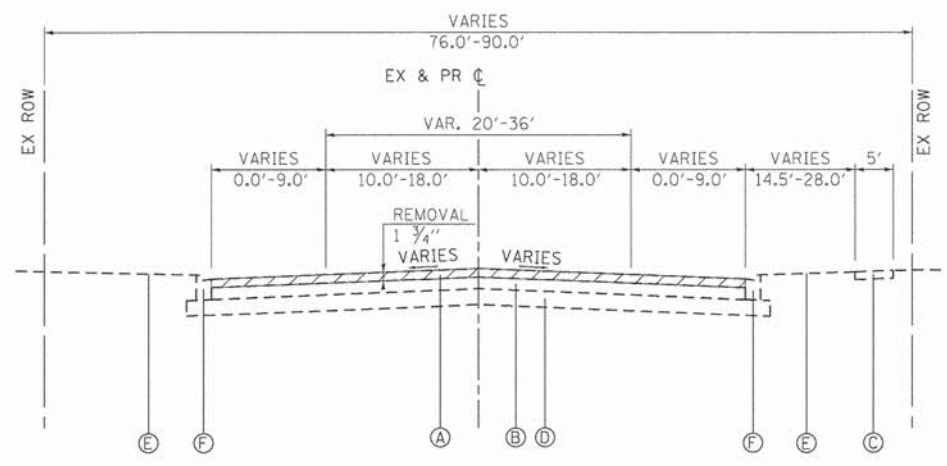
* SIDEWALK FROM STA 100+15 TO STA 109+41



PROPOSED TYPICAL SECTION

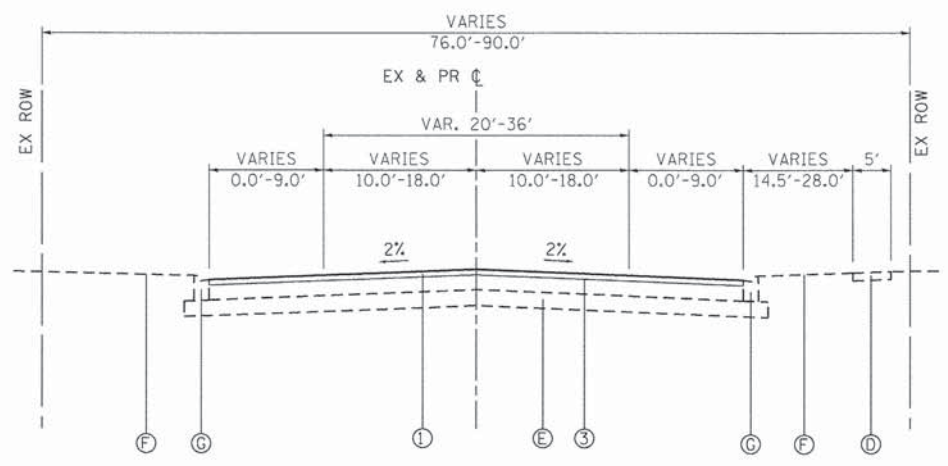
HARVEY ROAD
US ROUTE 30 TO WOLF'S CROSSING ROAD
STA 100+15 TO STA 109+41
STA 128+04 TO STA 158+56
** RESURFACING OMISSION STA 140+85 TO STA 150+93 **

* SIDEWALK FROM STA 100+15 TO STA 109+41



EXISTING TYPICAL SECTION

HARVEY ROAD
US ROUTE 30 TO WOLF'S CROSSING ROAD
STA 109+41 TO STA 128+04



PROPOSED TYPICAL SECTION

HARVEY ROAD
US ROUTE 30 TO WOLF'S CROSSING ROAD
STA 109+41 TO STA 128+04

DENOTES AREA OF HOT-MIX ASPHALT SURFACE REMOVAL

EXISTING LEGEND

- (A) HOT-MIX ASPHALT SURFACE REMOVAL, 1 3/4"
- (B) HOT-MIX ASPHALT PAVEMENT, (5"-10")
- (C) PORTLAND CEMENT CONCRETE SIDEWALK (SPOT REMOVAL & REPLACEMENT AS DIRECTED BY THE ENGINEER)
- (D) AGGREGATE SUBBASE, (4"-6")
- (E) EXISTING GROUND
- (F) COMBINATION CONCRETE CURB & GUTTER, TYPE B-6.12 (SPOT REMOVAL & REPLACEMENT AS DIRECTED BY THE ENGINEER)
- (G) AGGREGATE SHOULDERS

PROPOSED LEGEND

- (1) HOT-MIX ASPHALT SURFACE COURSE, MIX "D", N50
- (2) HOT-MIX ASPHALT BINDER COURSE, IL-19.0, N50
- (3) BITUMINOUS MATERIALS (PRIME COAT)
- (4) AGGREGATE SHOULDERS, TYPE B

NOTE: THE PATCHING QUANTITIES HAVE BEEN ESTIMATED BASED ON FIELD OBSERVATION DURING DESIGN. ACTUAL QUANTITIES TO BE DETERMINED DURING CONSTRUCTION BY THE ENGINEER.

HOT-MIX ASPHALT MIXTURE REQUIREMENTS			
	HMA BINDER	HMA SURFACE	HMA PATCHING
PG GRADE	PG 64-22	PG 64-22	PG 64-22
AIR VOIDS @ Ndes	4.0% @ 50 GYR.	4.0% @ 50 GYR.	4.0% @ 70 GYR.
MIXTURE COMPOSITION	IL-19.0	IL-9.5	IL-19.0
FRICITION AGGREGATE		MIXTURE D	

MATERIAL SHALL BE COMPACTED TO 93.0-97.4 PERCENT OF THE MAXIMUM THEORETICAL DENSITY, EXCEPT THAT WHEN PLACED AS FIRST LIFT ON AN UNIMPROVED SUBGRADE THE MINIMUM PERCENT COMPACTION SHALL BE 92.0 PERCENT. THE MAXIMUM THEORETICAL DENSITY SHALL BE DETERMINED FROM THE MOVING AVERAGE AS SPECIFIED IN THE QC/OA SPECIFICATION.

COMPANY NAME: HRGreen
 PROJECT CONTACT: HRGreen
 DATE PLOTTED: 5/12/2015 3:24:27 PM
 FILE NAME: 025-sht-tp.dgn
 PLOT SCALE: N.T.S.
 PEN TABLE: STANDARD

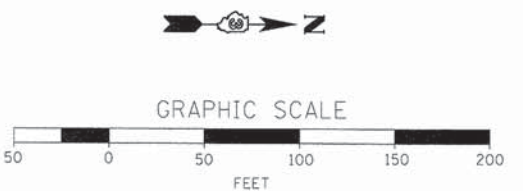
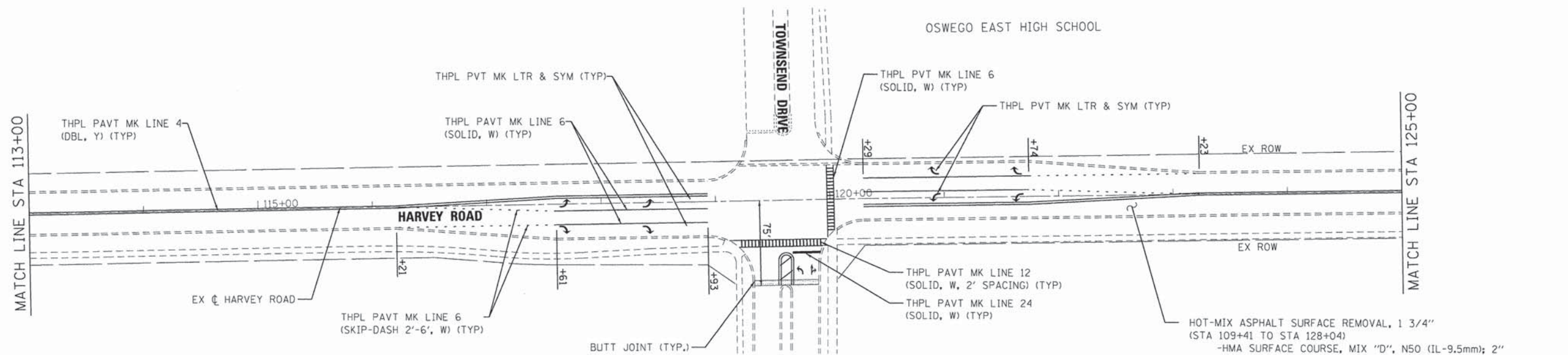
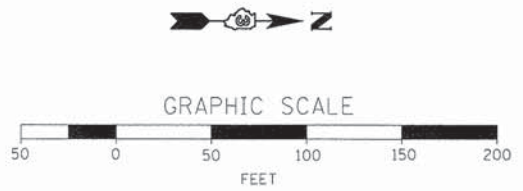
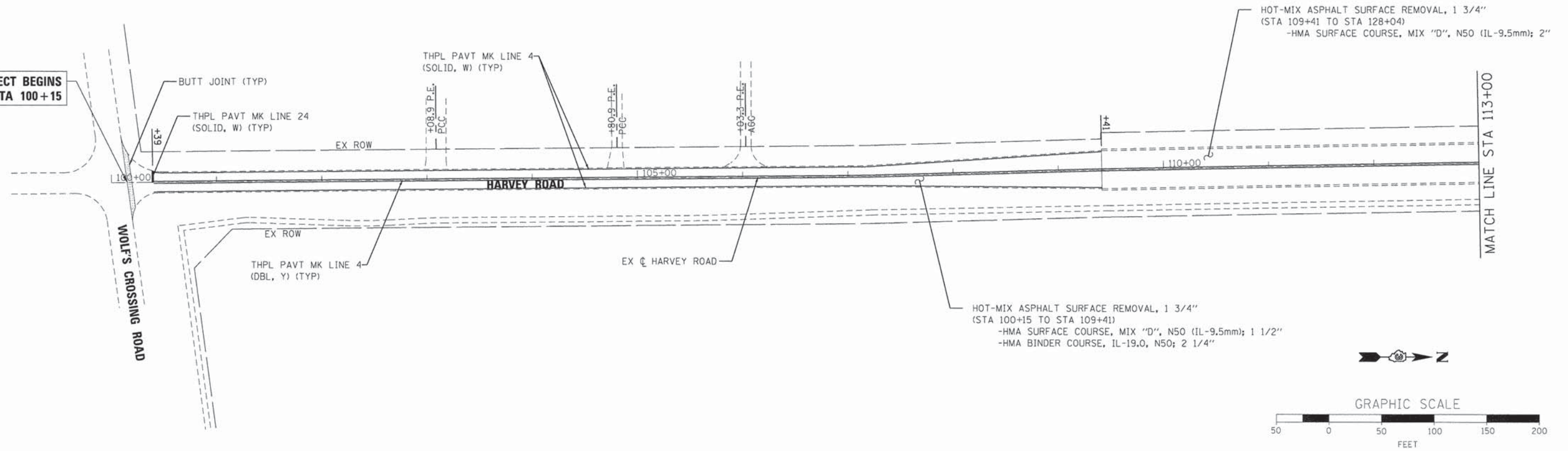
 HRGreen.com Illinois Professional Design Firm #184-001322	USER NAME = bhar-tma FILE NAME = 025-sht-tp.dgn PLOT SCALE = N.T.S. PLOT DATE = 5/12/2015	DESIGNED - BDH DRAWN - DS CHECKED - TH DATE - 05/12/15	REVISED - REVISED - REVISED - REVISED -
---	--	---	--

**STATE OF ILLINOIS
DEPARTMENT OF TRANSPORTATION**

TYPICAL SECTIONS HARVEY ROAD	
SCALE: N.T.S.	SHEET NO. 1 OF 1 SHEETS
STA. 100+15.00 TO STA. 159+15.00	

F.A.U. RTE.	SECTION	COUNTY	TOTAL SHEETS	SHEET NO.
2512	15-00049-00-RS	KENDALL	12	4
CONTRACT NO.				87629
FED. ROAD DIST. NO.		ILLINOIS FED. AID PROJECT		

PROJECT BEGINS
STA 100+15



LEGEND:

	COMBINATION CURB AND GUTTER REMOVAL AND REPLACEMENT
	SIDEWALK REMOVAL

COMPANY NAME: HRGreen
 PROJECT CONTACT: HRGreen
 CLIENT: HRGreen
 DATE PLOTTED: 5/12/2015 3:26:32 PM
 FILE NAME: 025-shr-Resurf_01.dgn
 PLOT DIVERS: pdl.dgn
 PEN TABLE: standard-trans.tbl



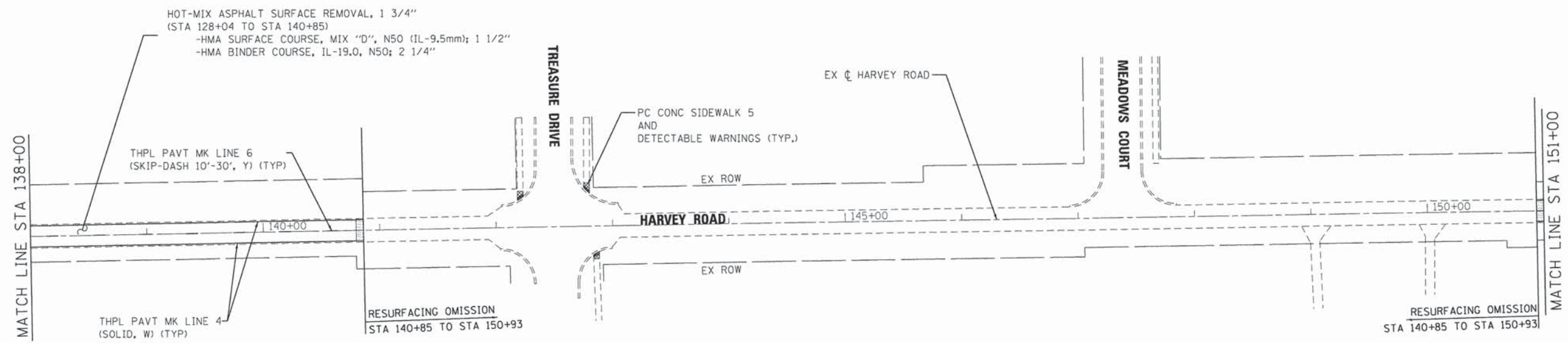
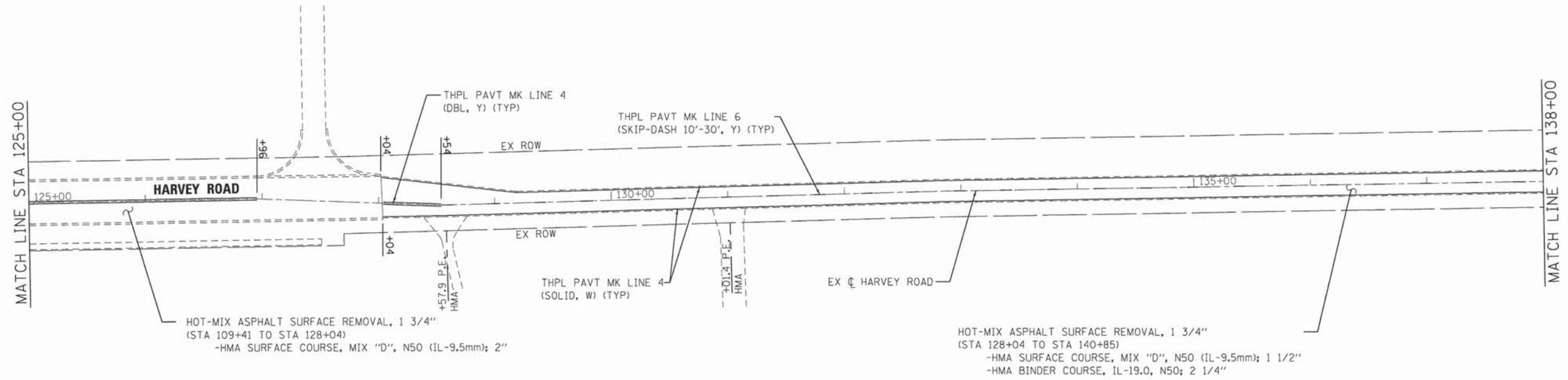
USER NAME = bhartna	DESIGNED = BDH	REVISED =
FILE NAME = 025-shr-Resurf_01.dgn	DRAWN = DS	REVISED =
PLOT SCALE = 1" = 20'	CHECKED = TH	REVISED =
PLOT DATE = 5/12/2015	DATE = 05/12/15	REVISED =

**STATE OF ILLINOIS
DEPARTMENT OF TRANSPORTATION**

**RESURFACING PLAN
HARVEY ROAD**

SCALE: 1" = 20' SHEET NO. 1 OF 3 SHEETS STA. 100+15.00 TO STA. 125+00.00

F.A. RTE. 2512	SECTION 15-00049-00-RS	COUNTY KENDALL	TOTAL SHEETS 12	SHEET NO. 5
CONTRACT NO. 87629				
FED. ROAD DIST. NO. ILLINOIS FED. AID PROJECT				



LEGEND:

	COMBINATION CURB AND GUTTER REMOVAL AND REPLACEMENT
	SIDEWALK REMOVAL

COMPANY NAME: HRGreen
 PROJECT CONTACT: bhartha
 CLIENT: 5/12/2015 3:26:39 PM
 DATE PLOTTED: 025-shr-Resurf_02.dgn
 FILE NAME: 025-shr-Resurf_02.dgn
 PLOT DRIVER: pdf.plt
 PEN TABLE: a10ndor-d-trans.tbl



USER NAME = bhartha	DESIGNED - BDH	REVISED -
FILE NAME = 025-shr-Resurf_02.dgn	DRAWN - DS	REVISED -
PLOT SCALE = 1" = 20'	CHECKED - TH	REVISED -
PLOT DATE = 5/12/2015	DATE - 05/12/15	REVISED -

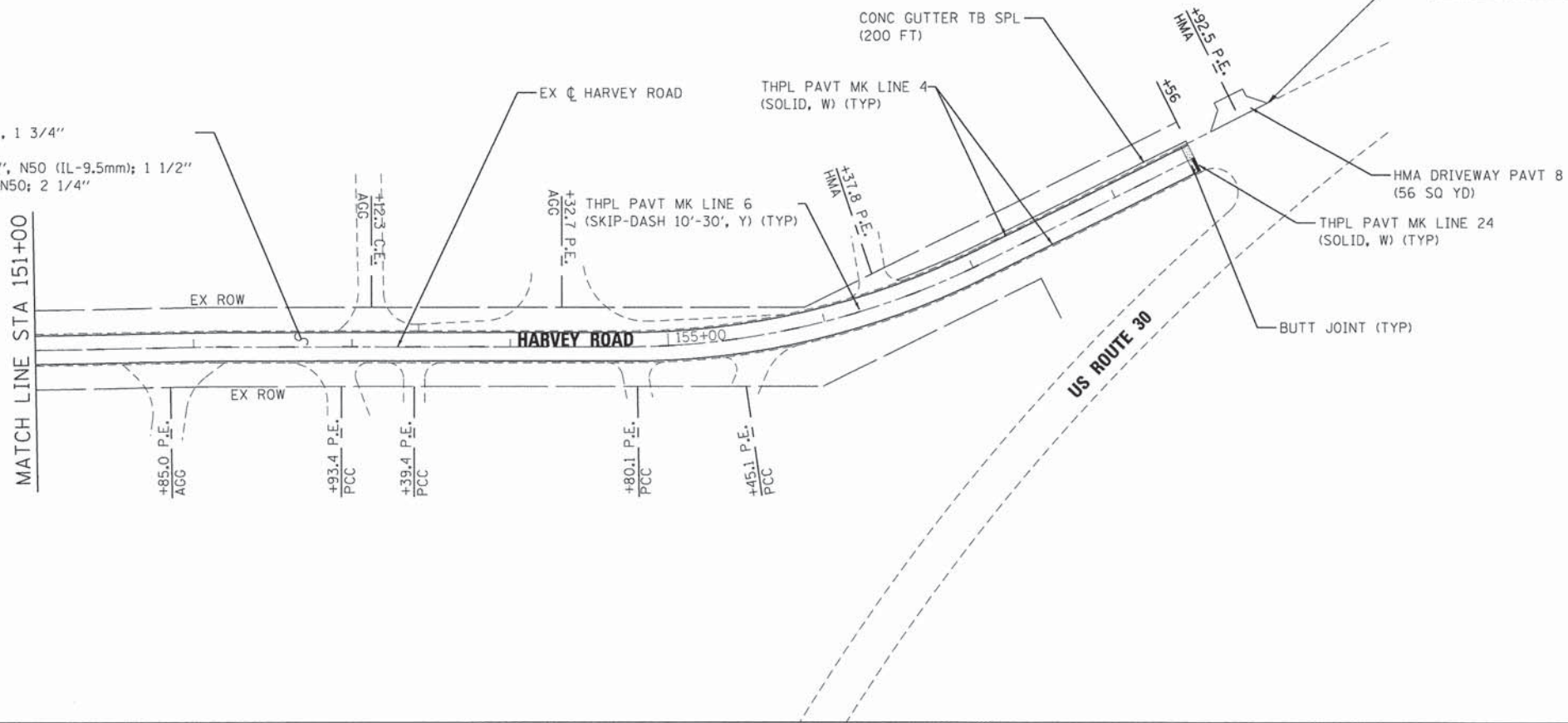
**STATE OF ILLINOIS
 DEPARTMENT OF TRANSPORTATION**

RESURFACING PLAN HARVEY ROAD		
SCALE: 1" = 20'	SHEET NO. 2 OF 3 SHEETS	STA. 125+00.00 TO STA. 151+00.00

F.A. RTE. 2512	SECTION 15-00049-00-RS	COUNTY KENDALL	TOTAL SHEETS 12	SHEET NO. 6
FED. ROAD DIST. NO.		ILLINOIS FED. AID PROJECT		
CONTRACT NO. 87629				

HOT-MIX ASPHALT SURFACE REMOVAL, 1 3/4"
 (STA 150+93 TO STA 158+56)
 -HMA SURFACE COURSE, MIX "D", N50 (IL-9.5mm); 1 1/2"
 -HMA BINDER COURSE, IL-19.0, N50; 2 1/4"

MATCH LINE STA 151+00



LEGEND:

	COMBINATION CURB AND GUTTER REMOVAL AND REPLACEMENT
	SIDEWALK REMOVAL

COMPANY NAME: HRGreen
 PROJECT CONTACT: HRGreen.com
 CLIENT: HRGreen.com
 DATE PLOTTED: 5/12/2015 3:24:44 PM
 FILE NAME: 025-sht-Resurf_03.dgn
 PLOT DRIVER: pdfplot
 PEN TABLE: standard-trans.tbl



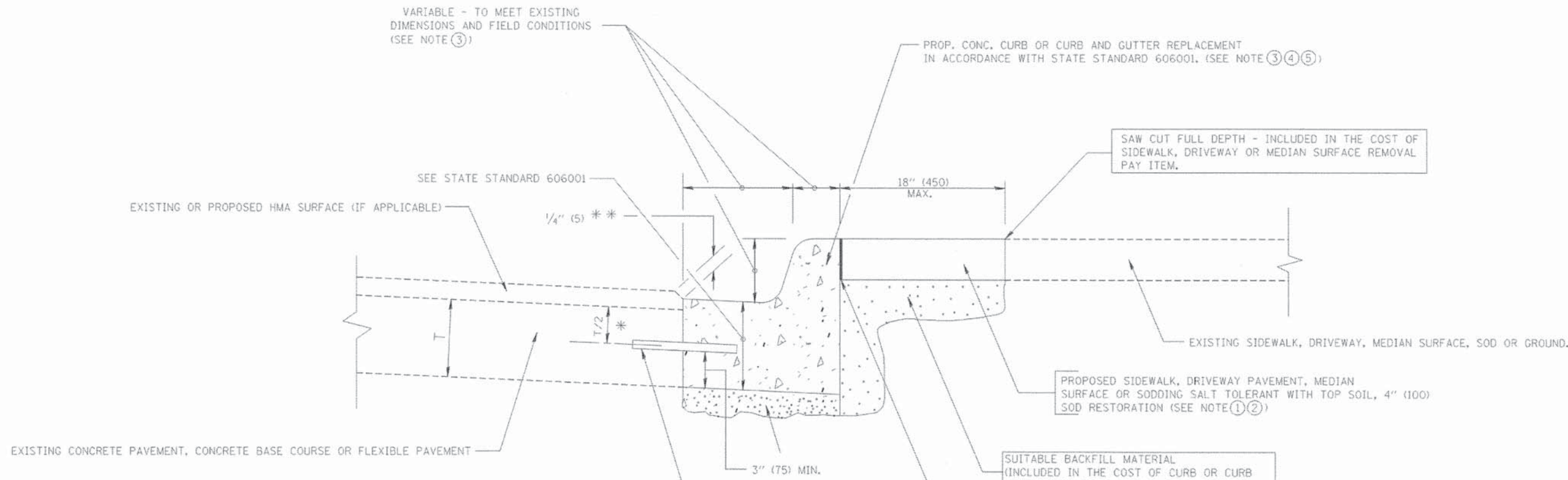
USER NAME = bhartha	DESIGNED = BDH	REVISED =
FILE NAME = 025-sht-Resurf_03.dgn	DRAWN = DS	REVISED =
PLOT SCALE = 1" = 20'	CHECKED = TH	REVISED =
PLOT DATE = 5/12/2015	DATE = 05/12/15	REVISED =

**STATE OF ILLINOIS
 DEPARTMENT OF TRANSPORTATION**

**RESURFACING PLAN
 HARVEY ROAD**

SCALE: 1" = 20' SHEET NO. 3 OF 3 SHEETS STA. 151+00.00 TO STA. 159+15.00

F.A. RTE. 2512	SECTION 15-00049-00-RS	COUNTY KENDALL	TOTAL SHEETS 12	SHEET NO. 7
FED. ROAD DIST. NO. ILLINOIS FED. AID PROJECT				CONTRACT NO. 87629



- * 3" (75) MINIMUM FROM TOP AND BOTTOM OF THE CONCRETE PAVEMENT OR BASE COURSE.
 - ** IF THE FINAL SURFACE OF THE PAVEMENT IS CONCRETE, THE GUTTER IS TO BE FLUSH WITH THE PAVEMENT.
- NOTE: ① SIDEWALK, DRIVEWAY PAVEMENT OR MEDIAN SURFACE SHALL BE SIMILAR TO THE MATERIAL BEING REMOVED AND WILL BE PAID FOR SEPARATELY.
SODDING, SALT TOLERANT AND TOP SOIL, FURNISH AND PLACE 4" WILL BE PAID FOR SEPARATELY.
- ② FERTILIZER FOR THE PLACEMENT OF THE SOD IS NOT REQUIRED
 - ③ CURB OR CURB AND GUTTER REPLACEMENT SHALL MATCH THE SHAPE OF THE EXISTING CURB OR CURB AND GUTTER UNLESS OTHERWISE SPECIFIED.
 - ④ FOR CURB OR CURB AND GUTTER REMOVAL AND REPLACEMENT ADJACENT TO FLEXIBLE PAVEMENT DELETE EPOXY COATED TIE BARS.
 - ⑤ LONGITUDINAL BARS, IF ENCOUNTERED IN THE EXISTING CURB OR CURB AND GUTTER, ARE NOT TO BE REPLACED. CUTTING AND REMOVING LONGITUDINAL BARS SHALL BE INCLUDED IN THE COST OF CURB OR CURB AND GUTTER REMOVAL AND REPLACEMENT.
 - ⑥ THE COST OF HMA SURFACE REMOVAL IN THE EXISTING GUTTER FLAG SHALL BE INCLUDED IN THE COST OF THE CURB AND GUTTER REMOVAL AND REPLACEMENT.
 - ⑦ THE REMOVAL AND REPLACEMENT OF THE EXISTING CURB OR CURB AND GUTTER SHALL BE DONE IN ACCORDANCE WITH THE APPLICABLE PORTIONS OF SECTION 440 AND 606 OF THE STANDARD SPECIFICATIONS.
 - ⑧ THE LOCATIONS OF REMOVAL AND REPLACEMENT OF EXISTING CURB OR CURB AND GUTTER SHALL BE DETERMINED BY THE RESIDENT ENGINEER AT THE TIME OF CONSTRUCTION.

- PROF. CONC. CURB OR CURB AND GUTTER REPLACEMENT IN ACCORDANCE WITH STATE STANDARD 606001. (SEE NOTE ③④⑤)
- SAW CUT FULL DEPTH - INCLUDED IN THE COST OF SIDEWALK, DRIVEWAY OR MEDIAN SURFACE REMOVAL PAY ITEM.
- EXISTING SIDEWALK, DRIVEWAY, MEDIAN SURFACE, SOD OR GROUND.
- PROPOSED SIDEWALK, DRIVEWAY PAVEMENT, MEDIAN SURFACE OR SODDING SALT TOLERANT WITH TOP SOIL, 4" (100) SOD RESTORATION (SEE NOTE ①②)
- SUITABLE BACKFILL MATERIAL (INCLUDED IN THE COST OF CURB OR CURB AND GUTTER REMOVAL AND REPLACEMENT)
- PROPOSED 3/4" (20) PREFORMED EXPANSION JOINT AT CONCRETE SIDEWALKS, DRIVEWAYS, AND MEDIANS. (INCLUDED IN THE COST OF CURB OR CURB AND GUTTER REMOVAL AND REPLACEMENT.)
- UNSUITABLE SUB-BASE MATERIAL TO BE REMOVED, IF DIRECTED BY THE ENGINEER, SHALL BE REPLACED WITH EITHER SUB-BASE GRANULAR MATERIAL, TYPE B OR ADDITIONAL THICKNESS OF CONCRETE.
- REMOVAL AND REPLACEMENT 4" (100) OR LESS IS INCLUDED IN THE COST OF CURB OR CURB AND GUTTER REMOVAL AND REPLACEMENT.
- REMOVAL AND REPLACEMENT IN EXCESS OF 4" (100) WILL BE PAID FOR AS "SUBBASE GRANULAR MATERIAL, TYPE B 4"
- PROPOSED #6 (20) EPOXY COATED TIE BARS 24" (600) LONG AT 24" (600) CENTERS WILL NOT BE PAID FOR SEPARATELY. DELETE EPOXY COATED TIE BARS IF EXISTING TIE BARS ARE USABLE AS DETERMINED BY THE ENGINEER. (SEE NOTE ④).

BASIS OF PAYMENT:
THIS WORK WILL BE PAID FOR AT THE CONTRACT UNIT PRICE PER FOOT (METER) FOR "COMBINATION CONCRETE CURB AND GUTTER REMOVAL AND REPLACEMENT".

CURB OR CURB AND GUTTER REMOVAL AND REPLACEMENT

ALL DIMENSIONS ARE IN INCHES (MILLIMETERS) UNLESS OTHERWISE SHOWN.

COMPANY NAME: HRGreen
 PROJECT CONTACT: HRGreen.com
 CLIENT: HRGreen.com
 FILE NAME: 025-shr-det.bd24.dgn
 PLOT DRIVER: pdt.plt
 PEN TABLE: standard-trans.tbl
 5/12/2015 3:24:50 PM
 #hrgreen.com\086150025\086150025\shr-det.bd24.dgn

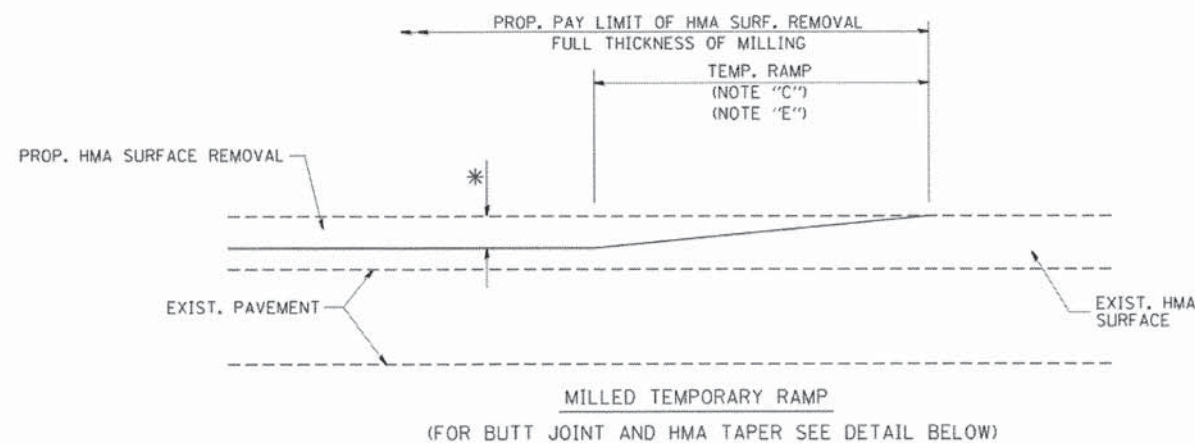
HRGreen
 HRGreen.com
 Illinois Professional Design Firm
 # 194-001222

USER NAME = bhar-tms	DESIGNED - BDH	REVISED -
FILE NAME = 025-shr-det.bd24.dgn	DRAWN - DS	REVISED -
PLOT SCALE =	CHECKED - TH	REVISED -
PLOT DATE = 5/12/2015	DATE - 05/12/15	REVISED -

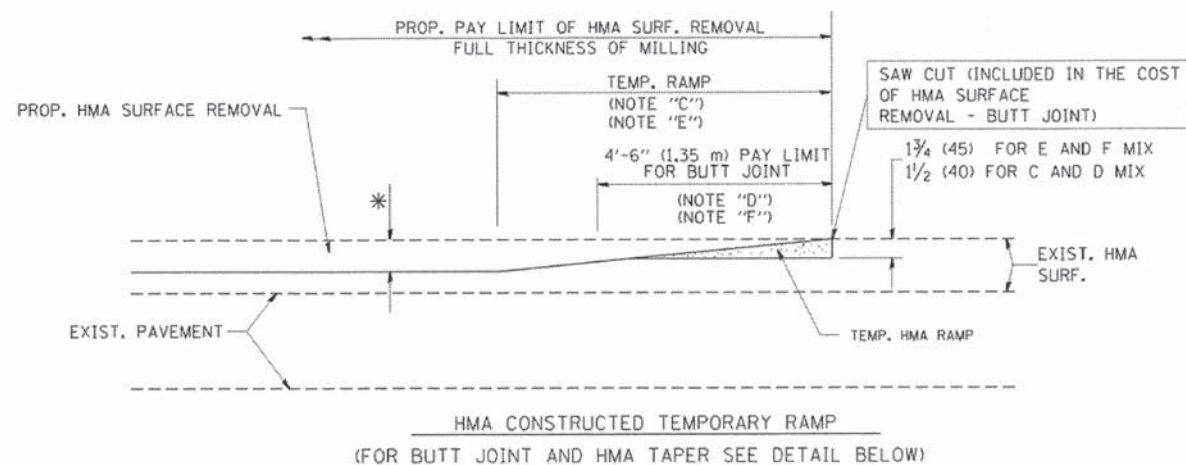
**STATE OF ILLINOIS
DEPARTMENT OF TRANSPORTATION**

CURB OR CURB AND GUTTER REMOVAL AND REPLACEMENT	
SCALE:	SHEET NO. 1 OF 5 SHEETS STA. TO STA.

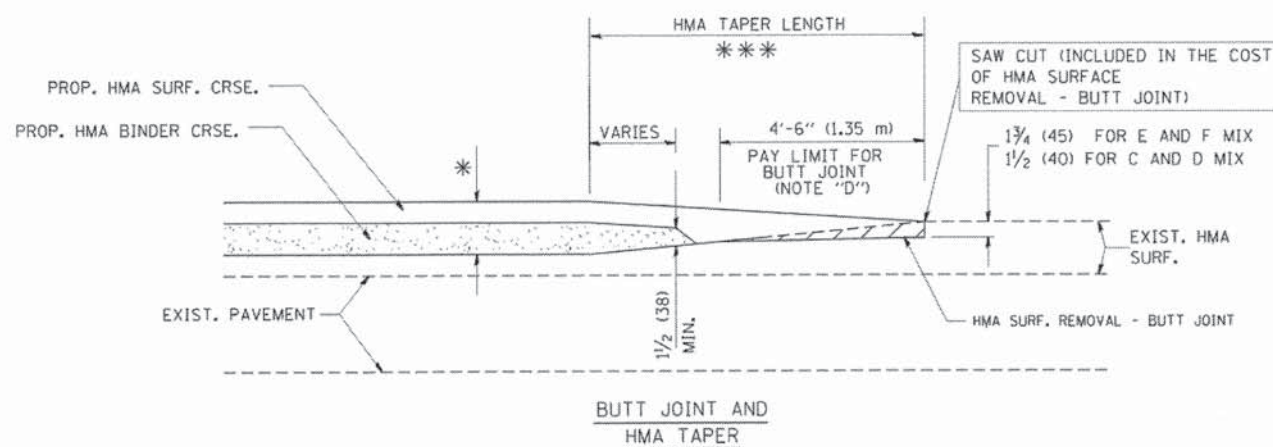
F.A.U. RTE. 2512	SECTION 15-00049-00-RS	COUNTY KENDALL	TOTAL SHEETS 12	SHEET NO. 8
FED. ROAD DIST. NO. ILLINOIS FED. AID PROJECT			CONTRACT NO. 87629	



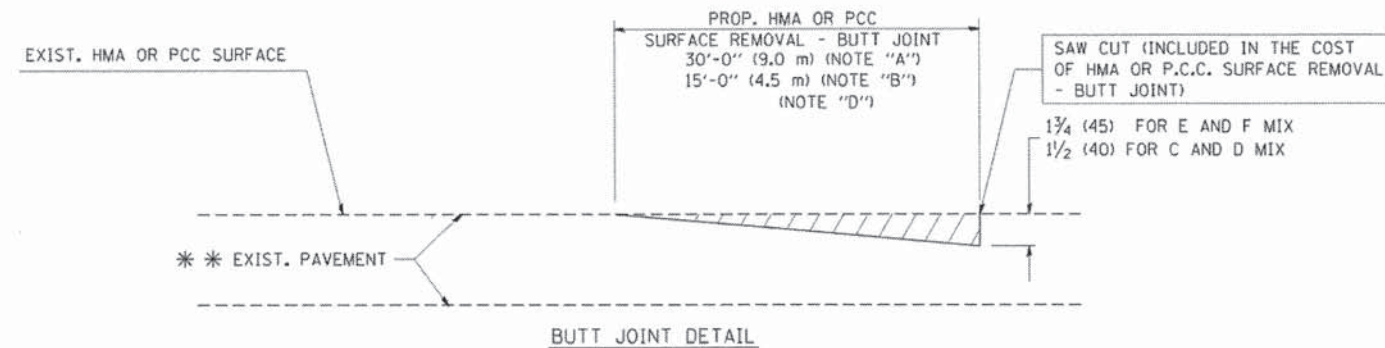
OPTION 1



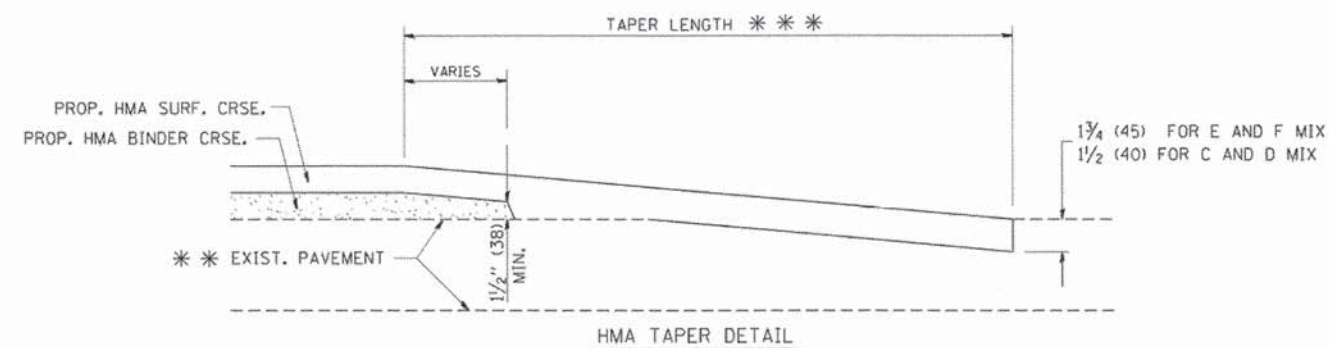
OPTION 2
TYPICAL TEMPORARY RAMP



TYPICAL BUTT JOINT AND HMA TAPER
FOR MILLING AND RESURFACING



BUTT JOINT DETAIL



TYPICAL BUTT JOINT AND HMA TAPER
FOR RESURFACING ONLY

*** PC CONCRETE, HMA OR HMA RESURFACED PAVEMENT.

NOTES

- A: MAINLINE ROADWAYS AND MAJOR SIDE ROADS.
- B: MINOR SIDE ROADS.
- C: THE TEMP. RAMP SHALL BE CONSTRUCTED IMMEDIATELY UPON REMOVAL OF THE EXISTING HMA SURFACE.
- D: THE BUTT JOINT SHALL BE CONSTRUCTED IMMEDIATELY PRIOR TO PLACING THE PROPOSED HMA COURSES.
- E: TAPER THE TEMP. RAMP AT A RATE OF 3'-0" (900 mm) PER 1 INCH (25 mm) OF MILLING THICKNESS.
- F: INSTALLATION AND REMOVAL OF THE 4'-6" (1.35 m) TEMP. RAMP IS INCLUDED IN COST OF HMA SURFACE REMOVAL - BUTT JOINT
- G: SEE ARTICLE 406.08 AND 406.14 OF THE STANDARD SPECIFICATIONS FOR "HMA AND/OR PCC SURFACE REMOVAL, BUTT JOINT".
- * SEE TYPICAL SECTIONS FOR MILLING THICKNESS.
- *** 20'-0" (6.1 m) PER 1 (25) RESURFACING (NOTE "A")
10'-0" (3.0 m) PER 1 (25) RESURFACING (NOTE "B")

BASIS OF PAYMENT:

THE BUTT JOINT WILL BE PAID FOR AT THE CONTRACT UNIT PRICE PER SQUARE YARD (SQUARE METER) FOR "HOT-MIX ASPHALT SURFACE REMOVAL - BUTT JOINT"

ALL DIMENSIONS ARE IN INCHES (MILLIMETERS) UNLESS OTHERWISE SHOWN.

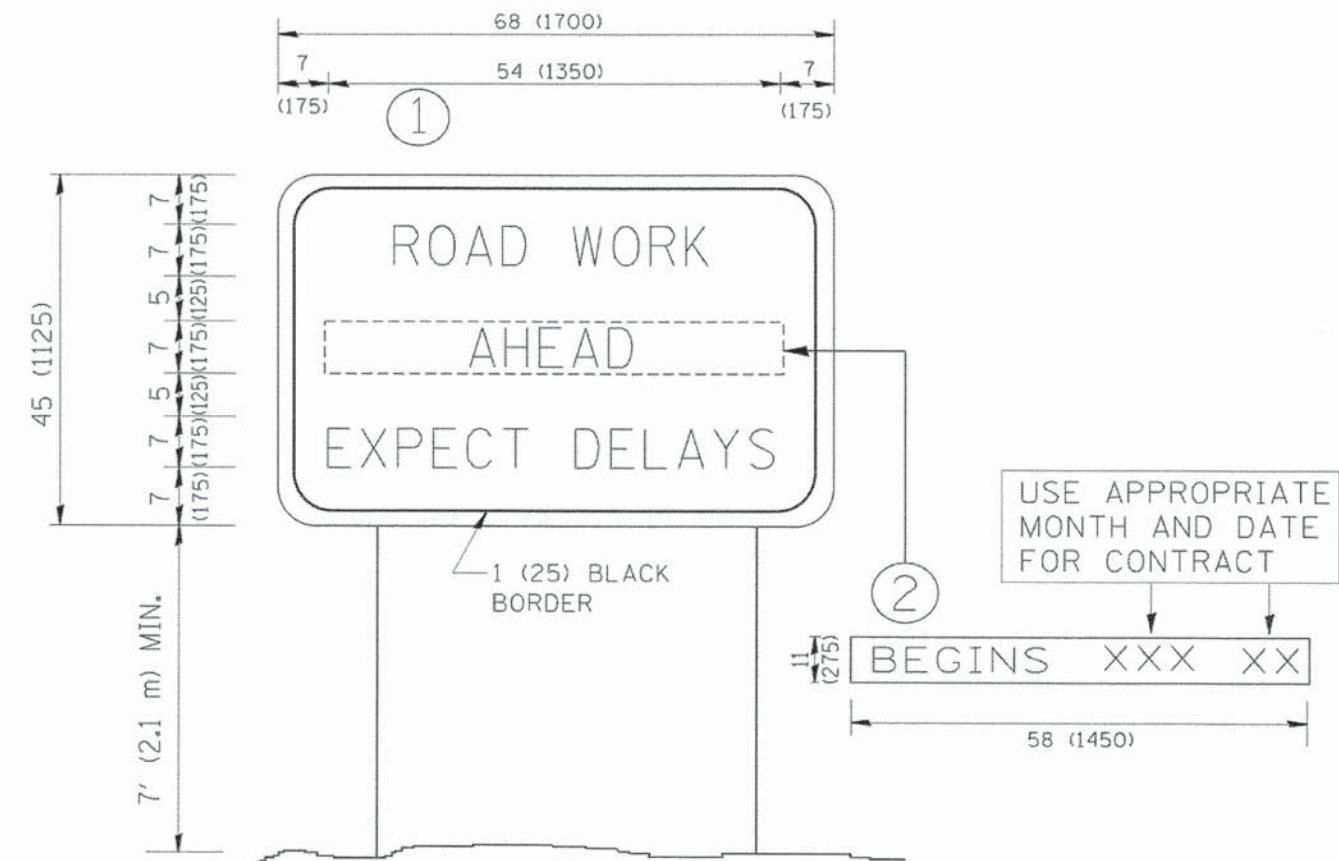
COMPANY NAME: HRGreen
 PROJECT CONTACT: HRGreen.com
 CLIENT: Illinois Professional Design Firm
 DATE PLOTTED: 5/12/2015 3:25:13 PM
 FILE NAME: 025-sh-t-de-t-bd32.dgn
 PLOT DRIVER: pdfplot
 PEN TABLE: standard-trans.tbl



USER NAME = bhartina	DESIGNED = BDH	REVISED =
FILE NAME = 025-sh-t-de-t-bd32.dgn	DRAWN = DS	REVISED =
PLOT SCALE =	CHECKED = TH	REVISED =
PLOT DATE = 5/12/2015	DATE = 05/12/15	REVISED =

STATE OF ILLINOIS
DEPARTMENT OF TRANSPORTATION

BUTT JOINT AND HMA TAPER DETAILS		F.A.U. RTE.	SECTION	COUNTY	TOTAL SHEETS	SHEET NO.
SCALE: SHEET NO. 2 OF 5 SHEETS STA. TO STA.		2512	15-00049-00-R5	KENDALL	12	9
		FED. ROAD DIST. NO.		ILLINOIS FED. AID PROJECT	CONTRACT NO. 87629	



NOTES:

1. USE BLACK LETTERING ON ORANGE BACKGROUND.
2. ERECT SIGNS IN ADVANCE OF THE LOCATION FOR THE "ROAD CONSTRUCTION AHEAD" SIGN AT LOCATIONS AS DIRECTED BY THE ENGINEER.
3. ERECT SIGN ① WITH INSTALLED PANEL ② ONE WEEK PRIOR TO THE START OF CONSTRUCTION.
4. REMOVE PANEL ② SOON AFTER THE START OF CONSTRUCTION.
5. SEE SPECIAL PROVISION FOR "TEMPORARY INFORMATION SIGNING" FOR ADDITIONAL INFORMATION.
6. ONE SIGN ASSEMBLY EQUALS 25.70 SQ. FT. (2.3 SQ. M.)
7. SHALL BE PAID FOR AS TEMPORARY INFORMATION SIGNING.

ALL DIMENSIONS ARE IN INCHES (MILLIMETERS) UNLESS OTHERWISE SHOWN.

COMPANY NAME: HRGreen
 PROJECT CONTACT: HRGreen.com
 CLIENT: HRGreen.com
 FILE NAME: 025-sht-det-Temp Sign.dgn
 PLOT DRIVER: pdfplot
 PEN TABLE: standard-trans.tbl
 5/12/2015 3:25:17 PM
 HRGreen.com

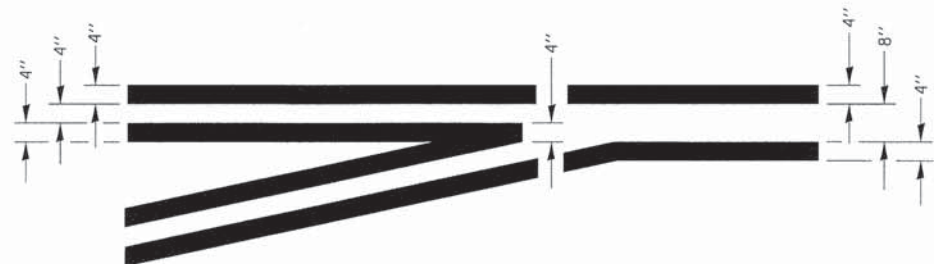
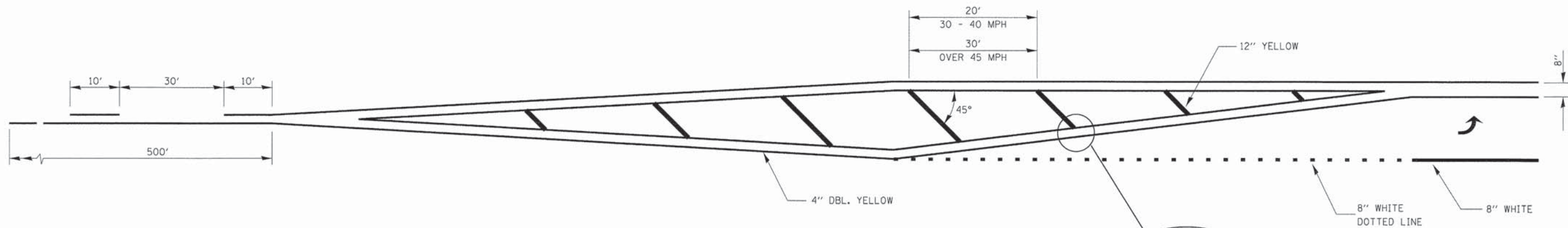

HRGreen.com
 Illinois Professional Design Firm
 # 184-001322

USER NAME = bhar-tma	DESIGNED - BDH	REVISED -
FILE NAME = 025-sht-det-Temp Sign.dgn	DRAWN - DS	REVISED -
PLOT SCALE =	CHECKED - TH	REVISED -
PLOT DATE = 5/12/2015	DATE - 05/12/15	REVISED -

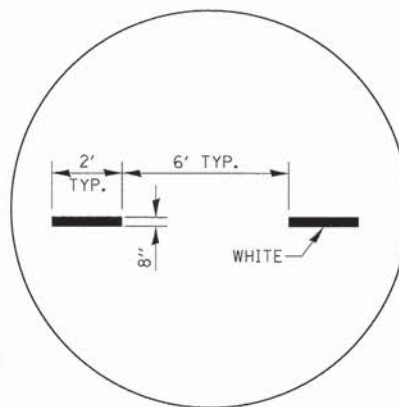
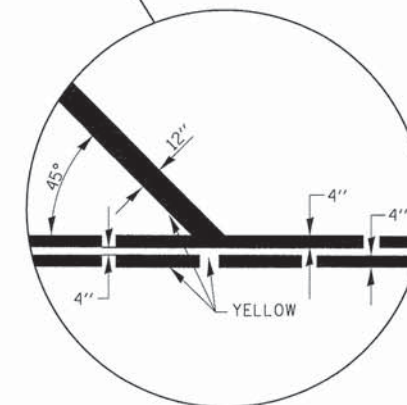
**STATE OF ILLINOIS
DEPARTMENT OF TRANSPORTATION**

TEMPORARY INFORMATION SIGNING			
SCALE:	SHEET NO. 3 OF 5 SHEETS	STA.	TO STA.

F.A.U. RTE.	SECTION	COUNTY	TOTAL SHEETS	SHEET NO.
2512	15-00049-00-RS	KENDALL	12	10
CONTRACT NO.				87629
FED. ROAD DIST. NO. ILLINOIS FED. AID PROJECT				

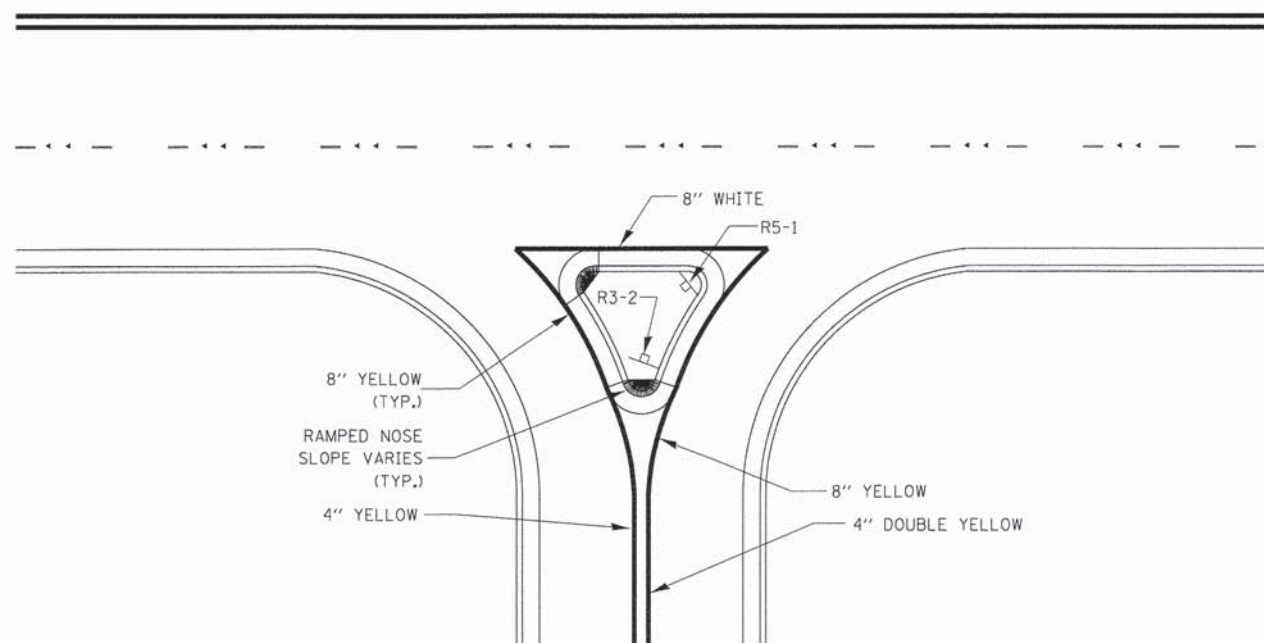


**TYPICAL APPLICATION
LEFT TURN LANES**

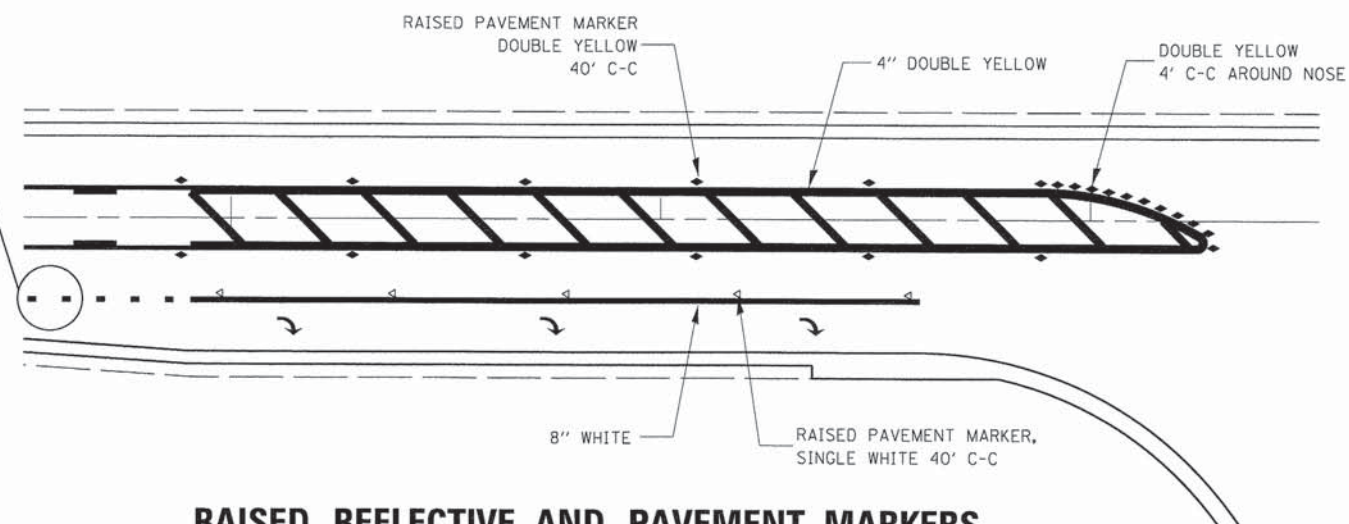


**ADVANCE AND INTERSECTION LANE
DIVIDER LINES**

URBAN PAVEMENT MARKING



RIGHT IN RIGHT OUT ACCESS PAVEMENT MARKING



**RAISED REFLECTIVE AND PAVEMENT MARKERS
RIGHT TURN LANE**

COMPANY NAME: HRGreen
 PROJECT CONTACT: HRGreen
 CLIENT: HRGreen
 DATE PLOTTED: 5/13/2015 10:43:30 AM
 PLOT DRIVER: HRGreen
 PEN TABLE: standard-trans.tbl



USER NAME = dstencz	DESIGNED - BDH	REVISED -
FILE NAME = 025-sht-det,UrbanPMK-02.dgn	DRAWN - DS	REVISED -
PLOT SCALE =	CHECKED - TH	REVISED -
PLOT DATE = 5/13/2015	DATE - 05/12/15	REVISED -

STATE OF ILLINOIS
DEPARTMENT OF TRANSPORTATION

DISTRICT 3 DETAILS

SCALE: SHEET NO. 5 OF 5 SHEETS STA. TO STA.

F.A.U. RTE.	SECTION	COUNTY	TOTAL SHEETS	SHEET NO.
2512	15-00049-00-RS	KENDALL	12	12
FED. ROAD DIST. NO. ILLINOIS FED. AID PROJECT			CONTRACT NO. 87629	