

INDEX OF SHEETS

1. COVER SHEET
2. GENERAL NOTES
3. SUMMARY OF QUANTITIES
- 4.-6. SCHEDULE OF QUANTITIES
7. TYPICAL SECTIONS
- 8.-9. ROADWAY PLAN & PROFILE SHEET
10. DETOUR PLANS
- 11.-13. DRAINAGE PLAN & EAST PROFILE
- 14.-15. DRAINAGE PLAN & WEST PROFILE
- 16.-17. EROSION CONTROL PLAN
18. PAVEMENT MARKING & SIGNAGE PLAN
19. INTERSECTION AND MISCELLANEOUS DETAILS
- 20.-23. CROSS SECTIONS

IDOT STANDARDS

000001-06	602401-03	701501-06	780001-05
001001-02	602701-02	701801-05	781001-03
001006	604011-05	701901-04	BLR 22-7
280001-07	604036-03	720001-01	
424001-08	606001-06	720006-04	
424016-02	606006-02	720011-01	
424026-01	701006-05	728001-01	
542301-03	701011-04	731001-01	
601001-04	701301-04		
602301-04	701311-03		

UTILITIES

GAS/ELECTRIC

AMEREN IP
1050 WEST BOULEVARD
P.O. BOX 428
BELLEVILLE, ILLINOIS 62222

WATER

ILLINOIS AMERICAN WATER COMPANY
100 NORTH WATER WORKS DRIVE
P.O. BOX 24040
BELLEVILLE, ILLINOIS 62223

PHONE/CABLE

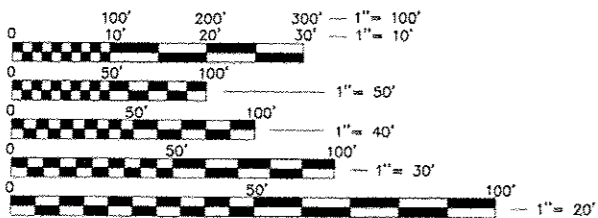
AT&T
203 GOETHE
COLLINSVILLE, ILLINOIS 62234

SANITARY SEWER

VILLAGE OF SHILOH
#1 PARK DRIVE
SHILOH, ILLINOIS 62229

PHONE/CABLE

CHARTER COMMUNICATIONS
7645 MAGNA DRIVE, STE. 100
BELLEVILLE, IL 62223

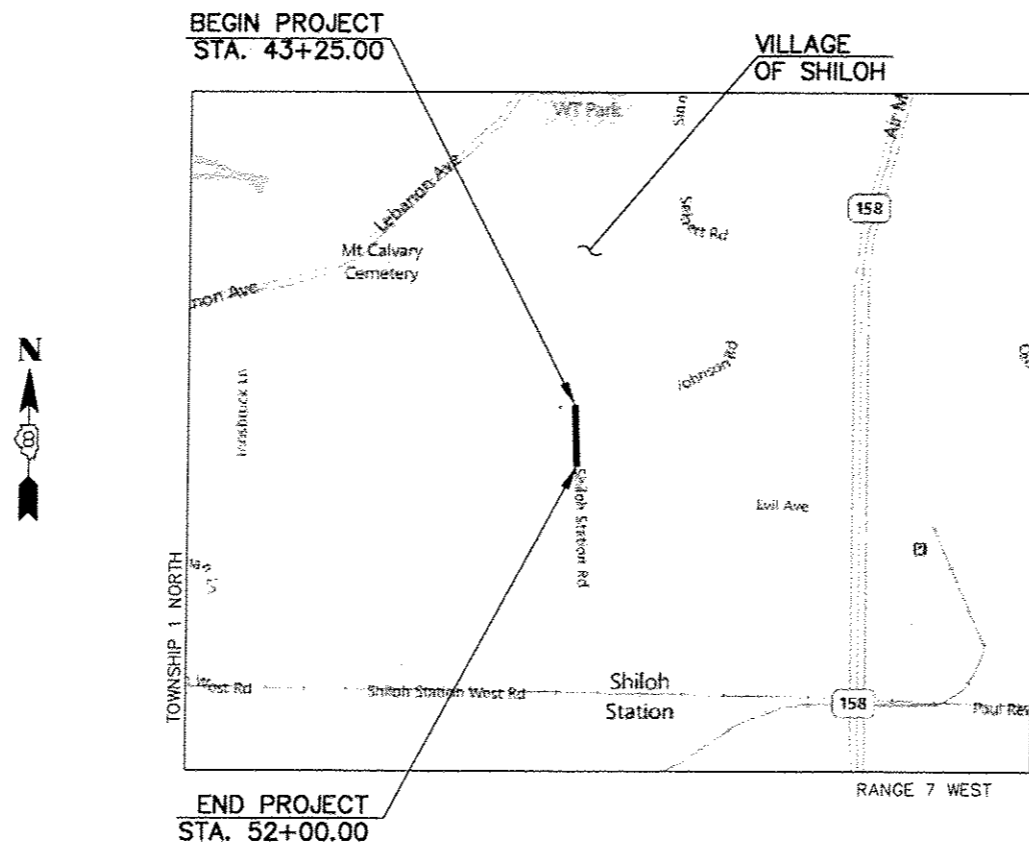
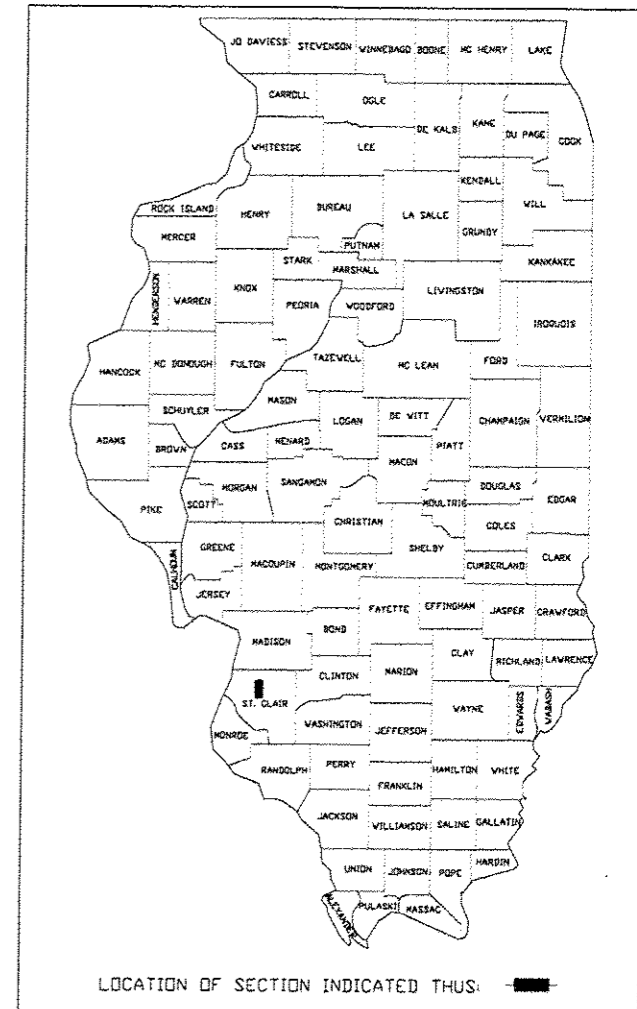


FULL SIZE PLANS HAVE BEEN PREPARED USING STANDARD ENGINEERING SCALES, REDUCED SIZED PLANS WILL NOT CONFORM TO STANDARD SCALES, IN MAKING MEASUREMENTS ON REDUCED PLANS, THE ABOVE SCALES MAY BE USED.

J.U.L.I.E.
JOINT UTILITY LOCATION INFORMATION FOR EXCAVATION
1-800-892-0123

STATE OF ILLINOIS 07-31-2015 LETTING ITEM 085
DEPARTMENT OF TRANSPORTATION
DIVISION OF HIGHWAYS
PLANS FOR PROPOSED FEDERAL AID PROJECT
VILLAGE OF SHILOH
PROPOSED SHILOH STATION ROAD
RECONSTRUCTION - PHASE 4
FAU ROUTE 9178
SECTION 14-00011-04-PW
PROJECT NO. M-5011(421)
ST. CLAIR COUNTY
JOB NO. C-98-339-14

FNU ROUTE	IDOT SECTION	COUNTY	TOTAL SHEETS	SHEET NO.
9178	14-00011-04-PW	ST. CLAIR	23	1
FEDERAL AID PROJECT			ILLINOIS	
IDOT JOB NO. C-98-339-14				
IDOT CONTRACT NO. 97600				



LOCATION MAP
N.T.S.

SHILOH STATION ROAD DESIGN DESIGNATION:
ROADWAY CLASSIFICATION - COLLECTOR
URBAN DESIGN SPEED - 30 MPH
DESIGN TRAFFIC (2031) ADT - 2,150

LENGTH OF PROJECT
SHILOH STATION ROAD PHASE 4
SHILOH STATION ROAD LENGTH - 875' (0.17 MILES)
NET LENGTH - 875' (0.17 MILES)



STATE OF ILLINOIS
DEPARTMENT OF TRANSPORTATION
DIVISION OF HIGHWAYS

APPROVED 6/9 2015
Jenna A. Verrill
MAYOR
VILLAGE OF SHILOH

PASSED 6-11 2015
Loren S. Pennington
DISTRICT 8 ENGINEER
LOCAL ROADS & STREETS

RELEASED FOR
BID BASED ON
LIMITED REVIEW June 11 2015
Jeffrey L. Keisinger
DEPUTY DIRECTOR OF HIGHWAYS
REGION FIVE ENGINEER

PRINTED BY THE AUTHORITY OF THE STATE OF ILLINOIS
NICHOLAS T. SMOCK
LICENSE NO. 062-082231
EXPIRATION DATE
11-30-2015

PREPARED BY:
TWM
THOUVENOT, WADE & MOERCHEN, INC.

GENERAL NOTES

1. ANY FACILITIES OR APPURTENANCES, WHICH ARE THE PROPERTY OF ANY PUBLIC UTILITY LOCATED WITHIN THE LIMITS OF CONSTRUCTION, SHALL BE RELOCATED OR ADJUSTED BY THEIR RESPECTIVE OWNERS. THE CONTRACTOR SHALL NOTIFY AND COOPERATE WITH THE OWNERS OF ANY SUCH FACILITY IN THEIR REMOVAL AND ADJUST HIS OPERATIONS, IN ORDER THAT, THE UTILITY'S OPERATIONS AND THE CONSTRUCTION OF THIS PROJECT MAY PROGRESS IN A REASONABLE MANNER.
2. THE TYPE, SIZE, AND LOCATION OF UTILITIES, AS DELINEATED IN THESE TOPOGRAPHIC LAND SURVEY DOCUMENTS AND/OR CIVIL ENGINEERING DESIGN DOCUMENTS, HAVE BEEN DETERMINED BY REVIEW OF AVAILABLE EXISTING "AS-BUILT" OR RECORD DRAWINGS, FIELD SURVEY OF J.U.L.I.E. MARKED UTILITIES, OR FIELD SURVEY OF ABOVE GROUND SURFACE UTILITY FEATURES. THE OWNER AND ENGINEER HAVE NOT UNDERTAKEN SUBSURFACE EXPLORATORY INVESTIGATIONS TO CONFIRM OR VERIFY THE UTILITIES SHOWN ON THESE DOCUMENTS; THEREFORE THEIR EXACT LOCATION, SIZE, AND FUNCTION MUST BE CONSIDERED APPROXIMATE AND MUST BE FIELD CONFIRMED BY THE CONTRACTOR.
3. THE ENGINEER AND OWNER FURTHER DO NOT WARRANT THAT ALL UTILITIES HAVE BEEN ILLUSTRATED ON THESE DOCUMENTS. THE CONTRACTOR IS SOLELY RESPONSIBLE FOR CONTACTING J.U.L.I.E. FOR FIELD VERIFICATION OF ALL UTILITIES ON THE SITE PRIOR TO COMMENCEMENT OF CONSTRUCTION. IF THE CONTRACTOR DETERMINES THAT SUBSTANTIAL DISCREPANCY EXISTS BETWEEN FIELD VERIFIED UTILITIES AND THESE PLANS, WHICH WOULD SIGNIFICANTLY AFFECT THE FUNCTION, COST, OR PERFORMANCE OF THE PROJECT, THE CONTRACTOR SHALL IMMEDIATELY CONTACT THE ENGINEER FOR CLARIFICATION AND PROJECT DIRECTION.
4. THE CONTRACTOR SHALL CONFINE HIS OPERATIONS TO THE AREA LOCATED WITHIN THE TEMPORARY CONSTRUCTION EASEMENTS, AS SHOWN ON THE PLANS. ANY AREA DISTURBED BEYOND THESE LIMITS SHALL BE RESTORED TO ITS ORIGINAL CONDITION AT THE CONTRACTOR'S EXPENSE.
5. ALL EXISTING ROADWAY FEATURES, SUCH AS CULVERTS, HEADWALLS, RIP RAP, CURB, PAVEMENT, FENCING, ETC., LOCATED WITHIN THE CONSTRUCTION LIMITS ARE TO BE REMOVED UNLESS NOTED OTHERWISE ON THE PLANS.
6. EVERY TREE SHALL BE SAVED, IF POSSIBLE. THE ENGINEER IN THE FIELD WILL VERIFY AND MARK ALL TREES REQUIRED TO BE REMOVED. SHOULD THE ENGINEER'S DECISION INCREASE OR DECREASE THE QUANTITIES OF WORK TO BE PERFORMED FROM THE PLANS, THE CONTRACTOR SHALL ACCEPT PAYMENT AS STATED IN ARTICLE 104.03 OF THE STANDARD SPECIFICATIONS. TREES OUTSIDE THE LIMITS OF CONSTRUCTION SHALL NOT BE DISTURBED UNLESS DESIGNATED BY THE ENGINEER.
7. THE SAW CUTTING OF EXISTING PAVEMENT, NECESSARY FOR ITS REMOVAL, SHALL BE INCLUDED IN THE COST OF THE ITEM FOR WHICH THE SAW CUT IS BEING MADE. THE REMOVAL OF ALL OIL & CHIP PAVEMENT SHALL BE INCLUDED IN THE EARTH EXCAVATION QUANTITY. SEE SPECIAL PROVISIONS FOR ADDITIONAL INFORMATION.
8. ALL TEMPORARY AND PERMANENT EROSION CONTROL DEVICES SHALL BE IMPLEMENTED AS SHOWN ON THE EROSION CONTROL PLAN. IT IS THE CONTRACTOR'S RESPONSIBILITY TO INSURE THAT ALL EROSION AND DISPLACED SEDIMENT DOES NOT MIGRATE OFF SITE. IF UNEXPECTED EROSION OR SEDIMENTATION OCCURS, OR IF THE EROSION PLAN STRUCTURES BECOME DAMAGED, THE CONTRACTOR SHALL PROVIDE SUFFICIENT MEASURES TO REPAIR, REPLACE, OR INSTALL EROSION CONTROL STRUCTURES TO INSURE OFF-SITE DAMAGE DOES NOT OCCUR. ANY SEDIMENT OR EROSION DAMAGE WHICH OCCURS OFF-SITE SHALL BE REPAIRED BY THE CONTRACTOR AT HIS/HER EXPENSE.
9. ALL EARTH SURFACES DISTURBED BY CONSTRUCTION, OR AS DIRECTED BY THE ENGINEER, SHALL BE SEEDED AND MULCHED ACCORDING TO SECTIONS 250 AND 251 OF THE STANDARD SPECIFICATIONS FOR ROAD AND BRIDGE CONSTRUCTION. ALL TEMPORARY EROSION CONTROL SEEDING SHALL BE IMPLEMENTED ACCORDING TO SECTION 280 OF THE STANDARD SPECIFICATIONS FOR ROAD AND BRIDGE CONSTRUCTION. COST BEYOND CONSTRUCTION LIMITS IS THE RESPONSIBILITY OF CONTRACTOR.

10. ANY CULVERTS DAMAGED BY OR REMOVED BY THE CONTRACTOR, OTHER THAN THOSE NOTED ON THE PLANS TO BE REMOVED, WILL HAVE TO BE REMOVED AND/OR REPLACED AT THE CONTRACTOR'S SOLE EXPENSE.
11. ALL MATERIALS, SUCH AS FRAMES AND GRATES AND STORM SEWER PIPE SCHEDULED FOR REMOVAL, THAT ARE CONSIDERED TO BE SUITABLE FOR FUTURE USE, SHALL BE SALVAGED AND STOCKPILED AS DIRECTED BY THE ENGINEER. ALL OTHER MATERIALS SCHEDULED FOR REMOVAL, BUT NOT SALVAGED, SHALL BE DISPOSED OF BY THE CONTRACTOR AT HIS/HER EXPENSE.
12. THE CONTRACTOR IS ADVISED THAT THE PROPOSED STORM SEWER ROADWAY CROSSINGS MAY CONFLICT WITH THE PROPOSED LIME STABILIZATION OPERATIONS DUE TO MINIMAL COVER OVER THE PIPES. THE CONTRACTOR SHALL EXERCISE EXTREME CAUTION IN THESE AREAS SO AS NOT TO CAUSE ANY DAMAGE TO THE PROPOSED STORM SEWERS. THIS MAY NECESSITATE VARYING THE METHODS OF LIME STABILIZATION. NO DIRECT PAYMENT SHALL BE MADE FOR THESE ACCOMMODATIONS.
13. ALL TRAFFIC CONTROL, INCLUDING, BUT NOT LIMITED TO WORK ZONE, TEMPORARY, AND PERMANENT, SHALL BE FURNISHED, INSTALLED, MAINTAINED, RELOCATED, AND/OR REMOVED ACCORDING TO SECTION 701 OF THE LATEST EDITION OF THE IDOT STANDARD SPECIFICATIONS FOR ROAD AND BRIDGE CONSTRUCTION AND THE LATEST EDITION OF THE MANUAL ON UNIFORM TRAFFIC CONTROL DEVICES.
14. TRAFFIC CONTROL SIGNS SHALL BE 48" FLUORESCENT ORANGE.
15. THE CONTRACTOR IS RESPONSIBLE FOR CONTACTING THE VILLAGE OF SHILOH AT LEAST FORTY-EIGHT (48) HOURS IN ADVANCE PRIOR TO COMMENCEMENT OF ANY CONSTRUCTION ACTIVITIES OR WORK REQUIRING INSPECTION OR APPROVAL BY THE AFFECTED UNITS OF GOVERNMENT.
16. IT IS NOT WARRANTED THAT THESE PLANS CONTAIN COMPLETE INFORMATION REGARDING EASEMENTS, RESERVATIONS, RESTRICTIONS, RIGHTS-OF-WAY, BUILDING LINE SETBACKS, AND OTHER ENCUMBRANCES. FOR COMPLETE INFORMATION, A TITLE OPINION OR COMMITMENT FOR TITLE INSURANCE SHOULD BE OBTAINED AND THOROUGHLY REVIEWED.
17. PRIOR TO CONSTRUCTING ANY ENTRANCE, THE PROPERTY OWNER WILL BE NOTIFIED IN WRITING, INFORMING THEM OF CONSTRUCTION AND THE ESTIMATED DATES CONSTRUCTION WILL TAKE PLACE.
18. ALL GRADING, EXCAVATION AND FILL, NECESSARY TO SATISFY THE ADDITIONAL DRIVEWAY LENGTHS SHALL BE INCLUDED IN COST OF DRIVEWAY PLACEMENT TYPE. NO ADDITIONAL COST WILL BE ALLOWED.
19. ANY SUBSURFACE UTILITY WITHIN THE CONSTRUCTION LIMITS IS TO BE VERIFIED FOR ACTIVITY AND ALL ABANDONED UTILITIES ARE TO BE REMOVED. COST IS INCLUDED IN THE COST OF EARTH EXCAVATION.
20. IF ASH TREES ARE REMOVED ON THE PROJECT, THE CONTRACTOR SHALL BECOME FAMILIAR AND COMPLY WITH MEASURES SPECIFIED BY THE ILLINOIS DEPARTMENT OF AGRICULTURE (IDOA) TO PREVENT THE SPREAD OF THE EMERALD ASH BORER. THE IDOA INFORMATION FOR ASH TREE REMOVAL CAN BE FOUND ON THE IDOA WEBSITE AT WWW.AGR.STATE.IL.US/EAB.

COMMITMENTS
DUE TO POTENTIAL SUITABLE HABITAT FOR THE INDIANA BAT WITHIN THE PROJECT CORRIDOR, NO TREES ARE TO BE REMOVED BETWEEN APRIL 1ST AND SEPTEMBER 30TH OF ANY YEAR

THOUVENOT,
WADE &
MOERCHEN, INC.
ENGINEERS ♦ SURVEYORS ♦ PLANNERS



CORPORATE OFFICE
4940 OLD COLLINSVILLE RD.
SWANSEA, ILLINOIS 62226
TEL (618) 824-4488
FAX (618) 824-6688
corp@twm-inc.com

WATERLOO OFFICE
113 SOUTH MAIN STREET
WATERLOO, ILLINOIS 62298
TEL (618) 939-5050
FAX (618) 939-3938
waterloo@twm-inc.com

EDWARDSVILLE OFFICE
10198 CENTURY DRIVE
EDWARDSVILLE, ILLINOIS 62025
TEL (618) 658-4040
FAX (618) 658-4343
edwardsville@twm-inc.com

ST. LOUIS OFFICE
1001 CRAIG ROAD, SUITE 260
ST. LOUIS, MISSOURI 63146
TEL (314) 236-5052
FAX (314) 872-2194
stlouis@twm-inc.com

PROFESSIONAL REGISTRATIONS	LICENSE NO.
ILLINOIS PROFESSIONAL DESIGN FIRM	184-001220
PROFESSIONAL ENGINEERING CORP.	02-035370
PROFESSIONAL STRUCTURAL ENGR. CORP.	01-005202
ILLINOIS PROF. LAND SURVEYING CORP.	048-000029
MISSOURI PROFESSIONAL ENGR. CORP.	MC 001528
MISSOURI LAND SURVEYING CORP.	MC 000346

SEAL

Signature: _____
Signature Date: _____
Expiration Date: _____
STATEMENT OF RESPONSIBILITY
I hereby confirm that the document herein to be authenticated by my seal is restricted to this sheet, and I hereby disclaim any responsibility for all other drawings, specifications, estimates, reports or other documents or instruments relating to or intended to be utilized for any other part of the architectural, engineering or survey project.

TITLE: SHILOH STATION ROAD PHASE 4
GENERAL NOTES
14-00011-04-PW

PROJECT: SHILOH STATION ROAD
RECONSTRUCTION - PHASE 4
VILLAGE OF SHILOH
ST. CLAIR COUNTY, ILLINOIS

REV	DATE	DESCRIPTION
△		
△		
△		

DRAWN BY: NTS
DESIGNED BY: NTS
CHECKED BY:
APPROVED BY:
PROJECT NUMBER: T01100602

SHEET
2
OF 23 SHEETS

PROJECT DESCRIPTION

ISSUED FOR REVIEW ISSUED FOR BIDDING
 ISSUED FOR CONSTR. RECORD DRAWING

Code Number	Item	Unit	Quantity
20200100	EARTH EXCAVATION	CU YD	712
20400800	FURNISHED EXCAVATION	CU YD	169
20800150	TRENCH BACKFILL	CU YD	80
25000100	SEEDING, CLASS 1	ACRE	1
25000400	NITROGEN FERTILIZER NUTRIENT	POUND	90
25000500	PHOSPHORUS FERTILIZER NUTRIENT	POUND	90
25000600	POTASSIUM FERTILIZER NUTRIENT	POUND	90
25100115	MULCH, METHOD 2	ACRE	1
28000250	TEMPORARY EROSION CONTROL SEEDING	POUND	100
28000305	TEMPORARY DITCH CHECKS	FOOT	72
28000400	PERIMETER EROSION BARRIER	FOOT	506.5
28000500	INLET AND PIPE PROTECTION	EACH	16.0
28100107	STONE RIPRAP, CLASS A4	SQ YD	19
28200200	FILTER FABRIC	SQ YD	19
30200650	PROCESSING MODIFIED SOIL 12"	SQ YD	3114
30201500	LIME	TON	60
35101600	AGGREGATE BASE COURSE, TYPE B 4"	SQ YD	1012
35102000	AGGREGATE BASE COURSE, TYPE B 8"	SQ YD	131
40200500	AGGREGATE SURFACE COURSE, TYPE A 6"	SQ YD	12
40201000	AGGREGATE FOR TEMPORARY ACCESS	TON	800
40600275	BITUMINOUS MATERIALS (PRIME COAT)	POUND	1491
40603085	HOT-MIX ASPHALT BINDER COURSE, IL-19.0, N70	TON	1134
40603315	HOT-MIX ASPHALT SURFACE COURSE, MIX "C", N70	TON	267
40800050	INCIDENTAL HOT-MIX ASPHALT SURFACING	TON	24
42300200	PORTLAND CEMENT CONCRETE DRIVEWAY PAVEMENT, 6 INCH	SQ YD	235
42400100	PORTLAND CEMENT CONCRETE SIDEWALK 4 INCH	SQ FT	9106
42400800	DETECTABLE WARNINGS	SQ FT	56
44000100	PAVEMENT REMOVAL	SQ YD	2388
44000200	DRIVEWAY PAVEMENT REMOVAL	SQ YD	87
44000300	CURB REMOVAL	FOOT	97
48101620	AGGREGATE SHOULDERS, TYPE B 10"	SQ YD	21
50100100	REMOVAL OF EXISTING STRUCTURES	EACH	2
50105220	PIPE CULVERT REMOVAL	FOOT	54.0

Δ SPECIALTY ITEMS

Code Number	Item	Unit	Quantity
54213675	PRECAST REINFORCED CONCRETE FLARED END SECTIONS 30"	EACH	1
550A2320	STORM SEWERS, RUBBER GASKET, CLASS A, TYPE 1 12"	FOOT	164.7
550A2340	STORM SEWERS, RUBBER GASKET, CLASS A, TYPE 1 18"	FOOT	381
550A2360	STORM SEWERS, RUBBER GASKET, CLASS A, TYPE 1 24"	FOOT	573
550A2380	STORM SEWERS, RUBBER GASKET, CLASS A, TYPE 1 30"	FOOT	181
55100700	STORM SEWER REMOVAL 15"	FOOT	20
55101100	STORM SEWER REMOVAL 21"	FOOT	47
60219570	MANHOLES, TYPE A, 4'-DIAMETER, TYPE 3V FRAME AND GRATE	EACH	3
60221700	MANHOLES, TYPE A, 5'-DIAMETER, TYPE 8 GRATE	EACH	3
60222270	MANHOLES, TYPE A, 5'-DIAMETER, TYPE 3V FRAME AND GRATE	EACH	1
60236200	INLETS, TYPE A, TYPE 8 GRATE	EACH	1
60237460	INLETS, TYPE A, TYPE 23 FRAME AND GRATE	EACH	1
60240301	INLETS, TYPE B, TYPE 8 GRATE	EACH	2
60600605	CONCRETE CURB, TYPE B	FOOT	15
60604400	COMBINATION CONCRETE CURB AND GUTTER, TYPE B-6.18	FOOT	1768
67100100	MOBILIZATION	L SUM	1
70300100	SHORT TERM PAVEMENT MARKING	FOOT	117
70300220	TEMPORARY PAVEMENT MARKING - LINE 4"	FOOT	1750
70300240	TEMPORARY PAVEMENT MARKING - LINE 6"	FOOT	190
70300260	TEMPORARY PAVEMENT MARKING - LINE 12"	FOOT	29
70301000	WORK ZONE PAVEMENT MARKING REMOVAL	SQ FT	58
72400710	RELOCATE SIGN PANEL - TYPE 1	SQ FT	11.3
72800100	TELESCOPING STEEL SIGN SUPPORT	FOOT	31
78000200	THERMOPLASTIC PAVEMENT MARKING - LINE 4"	FOOT	1750
78000400	THERMOPLASTIC PAVEMENT MARKING - LINE 6"	FOOT	190
78000600	THERMOPLASTIC PAVEMENT MARKING - LINE 12"	FOOT	29
78100100	RAISED REFLECTIVE PAVEMENT MARKER	EACH	11
78300100	PAVEMENT MARKING REMOVAL	SQ FT	16
X0323265	REMOVE EXISTING RIPRAP	SQ YD	7.0
X6020074	INLETS, TYPE A, TYPE 3V FRAME AND GRATE	EACH	4
X7010216	TRAFFIC CONTROL AND PROTECTION, (SPECIAL)	L SUM	1
XX006119	TRAFFIC CONTROL AND PROTECTION (DETOUR)	L SUM	1
XX009044	YARD DRAINAGE SYSTEM	L SUM	1

CONTRACT NO. 97600

THOUVENOT, WADE & MOERCHEN, INC.
ENGINEERS • SURVEYORS • PLANNERS



CORPORATE OFFICE
4940 OLD COLLINSVILLE RD.
SWANSEA, ILLINOIS 62226
TEL (618) 624-4488
FAX (618) 624-6688
corp@twm-inc.com

WATERLOO OFFICE
113 SOUTH MAIN STREET
WATERLOO, ILLINOIS 62298
TEL (618) 939-5050
FAX (618) 939-3938
waterloo@twm-inc.com

EDWARDSVILLE OFFICE
1015B CENTURY DRIVE
EDWARDSVILLE, ILLINOIS 62025
TEL (618) 656-4040
FAX (618) 656-4343
edwardsville@twm-inc.com

ST. LOUIS OFFICE
1001 CRAIG ROAD, SUITE 260
ST. LOUIS, MISSOURI 63146
TEL (314) 236-5052
FAX (314) 872-2194
stlouis@twm-inc.com

PROFESSIONAL REGISTRATION	LICENSE NO.
ILLINOIS PROFESSIONAL DESIGN FIRM	184-001220
PROFESSIONAL ENGINEERING CORP.	02-035376
PROFESSIONAL STRUCTURAL ENGR. CORP.	01-005202
ILLINOIS PROF. LAND SURVEYING CORP.	048-000029
MISSOURI PROFESSIONAL ENGR. CORP.	NC 001526
MISSOURI LAND SURVEYING CORP.	NC 000346

SEAL

Signature: _____
Signature Date: _____
Expiration Date: _____

STATEMENT OF RESPONSIBILITY
I hereby confirm that the document herein to be authenticated by my seal is restricted to this sheet, and I hereby disclaim any responsibility for all other drawings, specifications, estimates, reports or other documents or instruments relating to or intended to be utilized for any other part of the architectural, engineering or survey project.

TITLE SHILOH STATION ROAD PHASE 4 SUMMARY OF QUANTITIES 14-0001-04-PW	PROJECT SHILOH STATION ROAD RECONSTRUCTION - PHASE 4 VILLAGE OF SHILOH ST. CLAIR COUNTY, ILLINOIS
--	---

REV#	DATE	DESCRIPTION
△		
△		
△		

DRAWN BY: NTS	SHEET
DESIGNED BY: NTS	3
CHECKED BY:	OF 23 SHEETS
APPROVED BY:	PROJECT DESCRIPTION
PROJECT NUMBER T01100602	
<input checked="" type="checkbox"/> ISSUED FOR REVIEW	<input type="checkbox"/> ISSUED FOR BIDDING
<input type="checkbox"/> ISSUED FOR CONSTR.	<input type="checkbox"/> RECORD DRAWING

THOUVENOT, WADE & MOERCHEN, INC.
 ENGINEERS ♦ SURVEYORS ♦ PLANNERS



- CORPORATE OFFICE**
 4940 OLD COLLINSVILLE RD.
 SWANSEA, ILLINOIS 62226
 TEL (618) 624-4488
 FAX (618) 624-6688
 corp@twm-inc.com
- WATERLOO OFFICE**
 113 SOUTH MAIN STREET
 WATERLOO, ILLINOIS 62298
 TEL (618) 939-5050
 FAX (618) 939-3938
 waterloo@twm-inc.com
- EDWARDSVILLE OFFICE**
 1015B CENTURY DRIVE
 EDWARDSVILLE, ILLINOIS 62025
 TEL (618) 856-4040
 FAX (618) 856-4343
 edwardsville@twm-inc.com
- ST. LOUIS OFFICE**
 1001 CRAIG ROAD, SUITE 280
 ST. LOUIS, MISSOURI 63146
 TEL (314) 236-5052
 FAX (314) 872-2194
 stlouis@twm-inc.com

ENTRANCE AND SIDEROAD SCHEDULE							
LOCATION STATION, DIRECTION	ENTRANCE TYPE	"L" ADJUSTMENT LENGTH OF DRIVE BEHIND ENTRANCE APRON (FEET)	AGGREGATE BASE COURSE TYPE B - 8" (SQ YD)	AGGREGATE TEMPORARY ACCESS (TON)	AGGREGATE SURFACE COURSE, TYPE A 6" (SQ YD)	INCIDENTAL HOT-MIX ASPHALT SURFACING (TON)	PORTLAND CEMENT CONCRETE DRIVEWAY PAVEMENT 6" (SQ YD)
43+20	BEGINNING JOINT					1.6	
46+77.27 RT	PE	10			12		27.1
47+34.09 RT	PE	0.9					28.3
48+74.57 RT	PE	11.8					59.5
49+97.83 LT	STONEWALL LANE						149.8
51+50	END JOINT		131.2			22.0	
AS NEEDED	N/A			800			
TOTAL			131	800	12	23.6	264.7

EROSION CONTROL AND SEEDING SCHEDULE													
FROM LOCATION STATION, DIRECTION	TO LOCATION STATION, DIRECTION	TEMPORARY EROSION CONTROL SEEDING (LBS)	PERIMETER EROSION BARRIER (FOOT)	INLET & PIPE PROTECTION (EACH)	SEEDING CLASS 1 (ACRES)	NITROGEN FERTILIZER NUTRIENT (LBS)	PHOSPHOROUS FERTILIZER NUTRIENT (LBS)	POTASSIUM FERTILIZER NUTRIENT (LBS)	MULCH METHOD 2 (ACRES)	STON RIPRAP CLASS A4 (SQ YDS)	FILTER FABRIC (SQ YDS)	TEMPORARY DITCH CHECK (FEET)	
43+25	52+00	100			1	90	90	90	1				
43+90.78 RT	-			1									
43+90.78 LT	-			1									
45+65.78 RT	-			1									
45+65.78 LT	-			1									
46+82 RT	51+89 RT		506.5										
47+23.35 RT	-			1									
47+40.78 RT	-			1									
47+40.78 LT	-			1									
49+15.78 RT	-			1									
49+15.78 LT	-			1									
50+53.19 RT	-			1									
50+83.07 LT	-			1									
50+83.07 RT	-			1									
50+83.07 LT	-			1									
51+85.10 LT	-			1									
52+07.80 RT	-											12	
52+17.80 RT	-											12	
52+27.80 RT	-											12	
53+29.90 LT	-			1									
55+04.90 LT	-			1									
55+17.34 LT	55+32.34 LT									18.5	18.5		
55+40.05 LT	-											12	
56+25.30 LT	-											12	
57+28.60 LT	-											12	
TOTAL		100	506.5	16	1	90	90	90	1	18.5	18.5	72	

EARTHWORK SCHEDULE				
FROM LOCATION STATION	TO LOCATION STATION	EARTH CUT (CY)	EARTH FILL (CY)	BALANCE WASTE (+) SHORTAGE (-) (CY)
NOTE: PAVEMENT THICKNESS ASSUMED TO BE 6" - NO SHRINKAGE FACTOR USED TO CALCULATE FURNISHED EXCAVATION				
		712	881	
TOTALS				
TOTAL EARTH EXCAVATION		712	TOTAL FURNISHED EXCAVATION	169

PROFESSIONAL REGISTRATIONS

ILLINOIS PROFESSIONAL DESIGN FIRM	184-001220
PROFESSIONAL ENGINEERING CORP.	62-035370
PROFESSIONAL STRUCTURAL ENGR. CORP.	81-005302
ILLINOIS PROF. LAND SURVEYING CORP.	048-000029
MISSOURI PROFESSIONAL ENGR. CORP.	MC 001528
MISSOURI LAND SURVEYING CORP.	MC 000348

SEAL

Signature: _____
 Expiration Date: _____
STATEMENT OF RESPONSIBILITY
 I hereby confirm that the document herein to be authenticated by my seal is restricted to this sheet, and I hereby disclaim any responsibility for all other drawings, specifications, estimates, reports or other documents or instruments relating to or intended to be utilized for any other part of the architectural, engineering or survey project.

TITLE: SHILOH STATION ROAD PHASE 4 SCHEDULE OF QUANTITIES
PROJECT: SHILOH STATION ROAD RECONSTRUCTION - PHASE 4 VILLAGE OF SHILOH ST. CLAIR COUNTY, ILLINOIS
 14-00011-04-PW

REV	DATE	DESCRIPTION
△		
△		
△		

DRAWN BY:	NTS	SHEET 5 OF 23 SHEETS
DESIGNED BY:	NTS	
CHECKED BY:		PROJECT DESCRIPTION
APPROVED BY:		
PROJECT NUMBER	T01100602	

ISSUED FOR REVIEW ISSUED FOR BIDDING
 ISSUED FOR CONSTR. RECORD DRAWING

**THOUVENOT,
WADE &
MOERCHEN, INC.**
ENGINEERS • SURVEYORS • PLANNERS



CORPORATE OFFICE
4940 OLD COLLINSVILLE RD.
SWANSEA, ILLINOIS 62226
TEL (618) 624-4488
FAX (618) 624-6888
corp@twm-inc.com

WATERLOO OFFICE
113 SOUTH MAIN STREET
WATERLOO, ILLINOIS 62298
TEL (618) 939-5050
FAX (618) 939-3938
waterloo@twm-inc.com

EDWARDSVILLE OFFICE
10159 CENTURY DRIVE
EDWARDSVILLE, ILLINOIS 62025
TEL (618) 656-4040
FAX (618) 656-4343
edwardsville@twm-inc.com

ST. LOUIS OFFICE
1001 CRAIG ROAD, SUITE 260
ST. LOUIS, MISSOURI 63146
TEL (314) 236-5052
FAX (314) 872-2194
stlouis@twm-inc.com

PROFESSIONAL REGISTRATIONS	LICENSE NO.
ILLINOIS PROFESSIONAL DESIGN FIRM	184-001220
PROFESSIONAL ENGINEERING CORP.	82-033370
PROFESSIONAL STRUCTURAL ENGR. CORP.	01-003202
ILLINOIS PROF. LAND SURVEYING CORP.	048-000029
MISSOURI PROFESSIONAL ENGR. CORP.	NC 001528
MISSOURI LAND SURVEYING CORP.	MC 000346

SEAL

Signature: _____
Signature Date: _____
Expiration Date: _____
STATEMENT OF RESPONSIBILITY
I hereby confirm that the document herein to be authenticated by my seal is restricted to this sheet, and I hereby disclaim any responsibility for all other drawings, specifications, estimates, reports or other documents or instruments relating to or intended to be utilized for any other part of the architectural, engineering or survey project.

STORM SEWER AND DRAINAGE STRUCTURES

FROM LOCATION STATION, DIRECTION	TO LOCATION STATION, DIRECTION	STORM SEWERS RUBBER GASKET CLASS A, TYPE 1 - 12" (FOOT)	STORM SEWERS RUBBER GASKET CLASS A, TYPE 1 - 18" (FOOT)	STORM SEWERS RUBBER GASKET CLASS A, TYPE 1 - 24" (FOOT)	STORM SEWERS RUBBER GASKET CLASS A, TYPE 1 - 30" (FOOT)	MANHOLES TYPE A 5' DIAMETER TYPE 3V FRAME AND GRATE (EACH)	MANHOLES TYPE A 4' DIAMETER TYPE 3V FRAME AND GRATE (EACH)	MANHOLES TYPE A 5' DIAMETER TYPE 8 GRATE (EACH)	INLETS TYPE A TYPE 8 GRATE (EACH)	INLETS TYPE B TYPE 8 GRATE (EACH)	INLETS TYPE A TYPE 23 FRAME AND GRATE (EACH)	INLETS TYPE A TYPE 3V FRAME AND GRATE (EACH)	PRECAST FLARED END SECTION - 30"	TRENCH BACKFILL (CY)
43+90.78 RT												1		2.81
43+90.78 RT	43+90.78 LT	25.8												
43+90.78 LT			171.4											15.03
43+90.78 LT	45+65.78 LT											1		
45+65.78 RT														2.54
45+65.78 RT	45+65.78 LT	25.8					1							
45+65.78 LT														2.7
45+65.78 LT	47+40.78 LT		171.4											
47+23.35 RT									1					4.8
47+23.35 RT	47+40.78 RT	35.7										1		
47+40.78 RT														2.03
47+40.78 RT	47+40.78 LT	25.8					1							
47+40.78 LT														1.69
47+40.78 LT	49+15.78 LT			171.4									1	
49+15.78 RT														2.32
49+15.78 RT	49+15.78 LT	25.8												
49+15.78 LT														13.35
49+15.78 LT	50+83.17 LT			163.4								1		
50+53.19 RT														3.56
50+53.19 RT	50+83.07 LT		27.3									1		
50+83.07 LT														4.65
50+83.07 LT	50+83.07 LT	11.2												
50+83.17 RT														5.44
50+83.17 RT	50+83.07 LT	25.8					1							
50+83.17 LT														5.44
50+83.17 LT	51+85.10 LT			97.5										
51+85.10 LT														13.44
51+85.10 LT	53+29.90 LT			140.3										
53+29.90 LT														5.66
53+29.90 LT	55+04.90 LT				170.5									
55+04.90 LT														10.3
55+04.90 LT	55+17.34 LT													
55+17.34 LT													1	
TOTAL		164.7	381.3	572.6	180.8	1	3	3	1	2	1	4	1	80.0

PAVEMENT MARKING SCHEDULE

FROM LOCATION STATION, DIRECTION	TO LOCATION STATION, DIRECTION	TYPE	THERMOPLASTIC PAVEMENT MARKING - LINE 4" (FOOT)	THERMOPLASTIC PAVEMENT MARKING - LINE 6" (FOOT)	THERMOPLASTIC PAVEMENT MARKING - LINE 12" (FOOT)	TEMPORARY PAVEMENT MARKING - LINE 4" (FOOT)	TEMPORARY PAVEMENT MARKING - LINE 6" (FOOT)	TEMPORARY PAVEMENT MARKING - LINE 12" (FOOT)	SHORT TERM PAVEMENT MARKING (FOOT)	RAISED REFLECTIVE PAVEMENT MARKERS (EACH)	RELOCATE SIGN PANEL - TYPE 1 (SQ.FT)	SIGN PANEL - TYPE 1 (SQ.FT)	TELESCOPIC STEEL SIGN SUPPORT (FOOT)
43+25	51+50	TWO WAY AMBER								11			
43+25	52+00	DOUBLE YELLOW	1750.4			1750.4			88				
47+41.60 LT		LEFT TURN									5		15
49+19 RT		W11-2						110.5				9	17.25
49+44.19 LT	50+54.66 LT	CROSSWALK		110.5									
49+60.96 LT	50+39.91 LT	CROSSWALK		79				79					
49+62 LT		STOP SIGN									6.25		15
49+68.99 LT	49+97.13 LT	STOP BAR			28.6				28.6	28.6			
50+75 LT		W11-2										9	17.25
TOTAL			1750	190	29	1750	190	29	117	11	11.3	18	65

**SHILOH STATION ROAD PHASE 4
SCHEDULE OF QUANTITIES
14-0001-04-PW**

**SHILOH STATION ROAD
RECONSTRUCTION - PHASE 4
VILLAGE OF SHILOH
ST. CLAIR COUNTY, ILLINOIS**

REV	DATE	DESCRIPTION

DRAWN BY: NTS
DESIGNED BY: NTS
CHECKED BY:
APPROVED BY:
PROJECT NUMBER: T01100602

SHEET
6
OF 23 SHEETS
PROJECT DESCRIPTION:

ISSUED FOR REVIEW ISSUED FOR BIDDING
 ISSUED FOR CONSTR. RECORD DRAWING

**THOUVENOT,
WADE &
MOERCHEN, INC.**
ENGINEERS • SURVEYORS • PLANNERS



CORPORATE OFFICE
4940 OLD COLLINSVILLE RD.
SHAWNEE, ILLINOIS 62226
TEL (618) 624-4488
FAX (618) 624-6688
corp@twm-inc.com

WATERLOO OFFICE
113 SOUTH MAIN STREET
WATERLOO, ILLINOIS 62298
TEL (618) 939-5050
FAX (618) 939-3938
waterloo@twm-inc.com

EDWARDSVILLE OFFICE
10156 CENTURY DRIVE
EDWARDSVILLE, ILLINOIS 62025
TEL (618) 656-4040
FAX (618) 656-4343
edwardsville@twm-inc.com

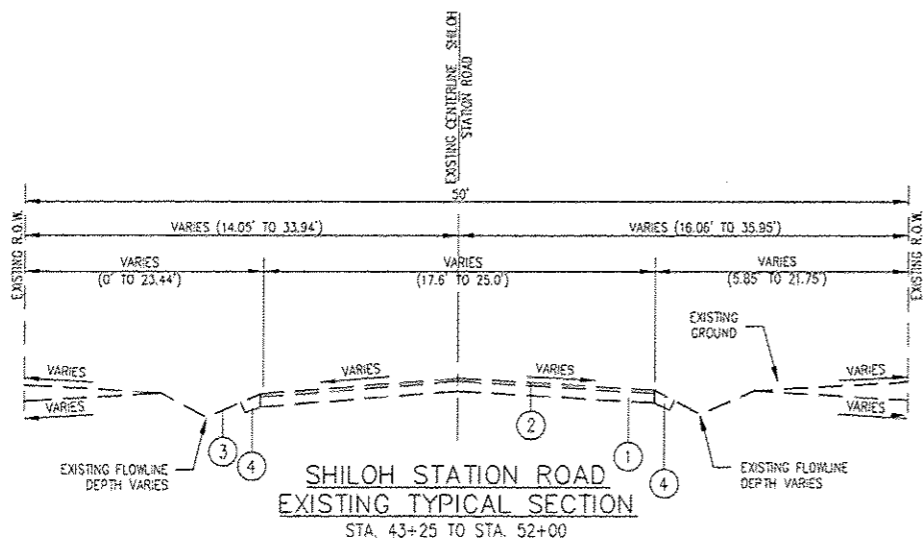
ST. LOUIS OFFICE
1001 CRAIG ROAD, SUITE 280
ST. LOUIS, MISSOURI 63146
TEL (314) 238-5052
FAX (314) 872-2194
stlouis@twm-inc.com

PROFESSIONAL REGISTRATIONS	LICENSE NO.
ILLINOIS PROFESSIONAL DESIGN FIRM	184-001229
PROFESSIONAL ENGINEERING CORP.	62-035370
PROFESSIONAL STRUCTURAL ENGR. CORP.	81-005502
ILLINOIS PROF. LAND SURVEYING CORP.	048-000029
MISSOURI PROFESSIONAL ENGR. CORP.	MC 001528
MISSOURI LAND SURVEYING CORP.	MC 000546

SEAL

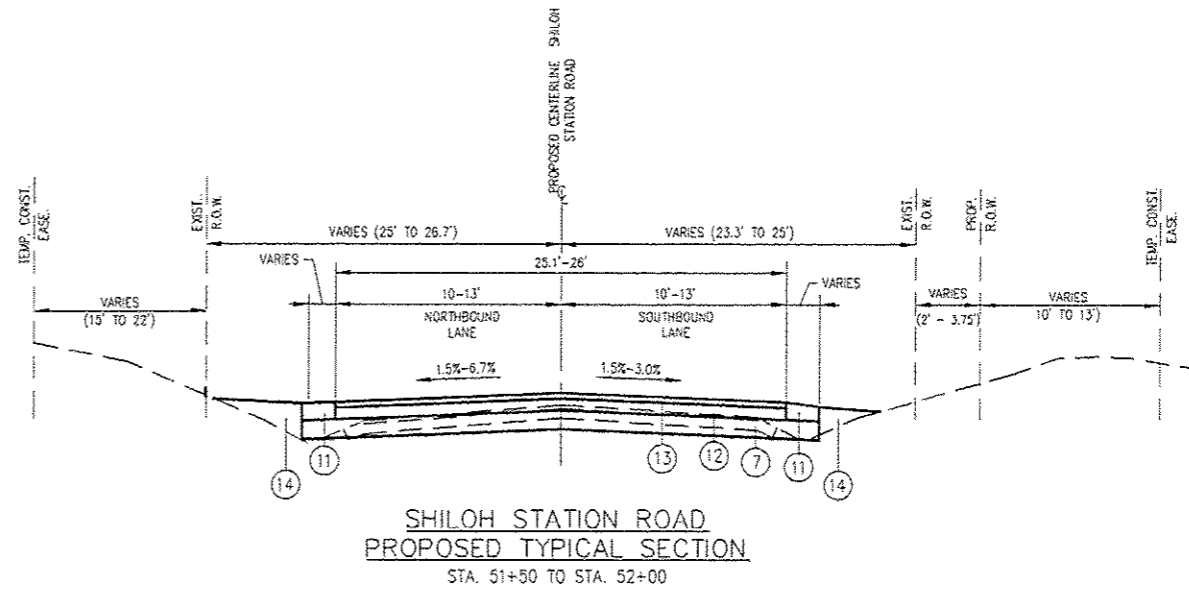
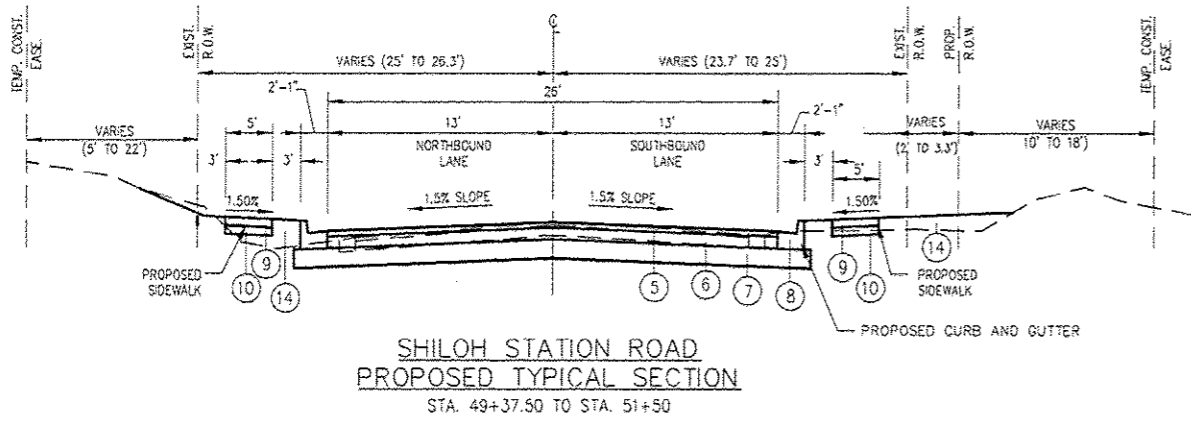
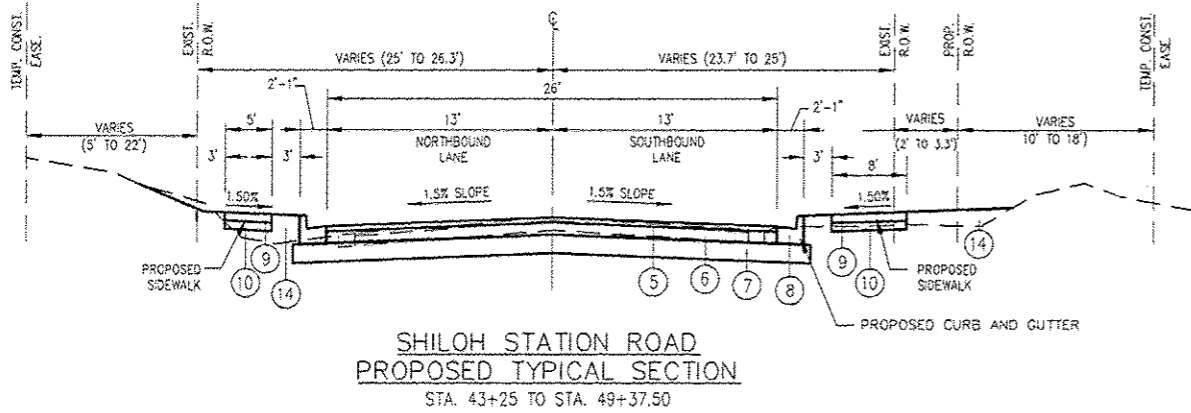
Signature: _____
Signature Date: _____
Expiration Date: _____

STATEMENT OF RESPONSIBILITY
I hereby confirm that the document herein to be authenticated by my seal is restricted to this sheet, and I hereby disclaim any responsibility for all other drawings, specifications, estimates, reports or other documents or instruments relating to or intended to be utilized for any other part of the architectural, engineering or survey project.



- LEGEND**
- ① EXISTING OIL AND CHIP PAVEMENT (THICKNESS VARIES)
 - ② EXISTING ASPHALT OVERLAY
 - ③ EXISTING ROADSIDE DITCH
 - ④ EXISTING GRAVEL SHOULDERS
 - ⑤ PROPOSED HOT-MIX ASPHALT SURFACE COURSE, MIX C, N70, 2"
 - ⑥ PROPOSED HOT-MIX ASPHALT BINDER COURSE, IL19.0, N70, 8 1/2"
 - ⑦ PROPOSED LIME MODIFIED SOIL, 12"
 - ⑧ PROPOSED COMBINATION CONCRETE CURB & GUTTER, TYPE B-6.18
 - ⑨ PROPOSED P.C.C. SIDEWALK, 4"
 - ⑩ PROPOSED AGGREGATE BASE COURSE, TYPE B, 4"
 - ⑪ AGGREGATE SHOULDERS, TYPE B, 10"
 - ⑫ AGGREGATE BASE COURSE, TYPE B, 8"
 - ⑬ INCIDENTAL HMA SURFACING, 3"
 - ⑭ FURNISHED EXCAVATION

MIXTURE USE	SURFACE	BINDER	INCIDENTAL SURFACE
AC/PG	PG 64-22	PG 64-22	PG 64-22
RAP % (MAX)	10%	15%	10%
DESIGN AIR VOIDS	4.0% @ Ndes=70	4.0% @ Ndes=70	4.0% @ Ndes=70
MIX COMPOSITION (GRADATION MIXTURE)	IL 19.0	IL 19.0	IL 19.0
FRICTION AGG.	MIXTURE C	MIXTURE B	MIXTURE C



TITLE: **SHILOH STATION ROAD PHASE 4 TYPICAL SECTIONS 14-00011-04-PW**

PROJECT: **SHILOH STATION ROAD RECONSTRUCTION - PHASE 4 VILLAGE OF SHILOH ST. CLAIR COUNTY, ILLINOIS**

REV.	DATE	DESCRIPTION
△		
△		
△		

DRAWN BY: NTS	SHEET
DESIGNED BY: NTS	7
CHECKED BY:	OF 23 SHEETS
APPROVED BY:	PROJECT DESCRIPTION
PROJECT NUMBER: T01100602	
<input checked="" type="checkbox"/> ISSUED FOR REVIEW	<input type="checkbox"/> ISSUED FOR BIDDING
<input type="checkbox"/> ISSUED FOR CONSTR.	<input type="checkbox"/> RECORD DRAWING

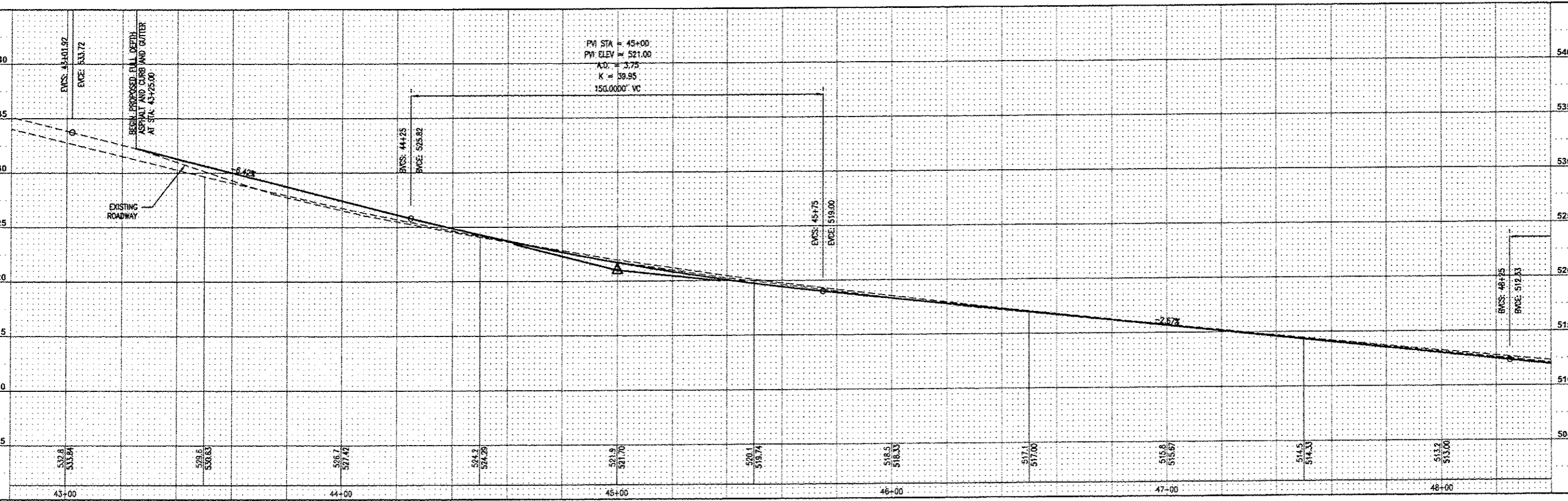
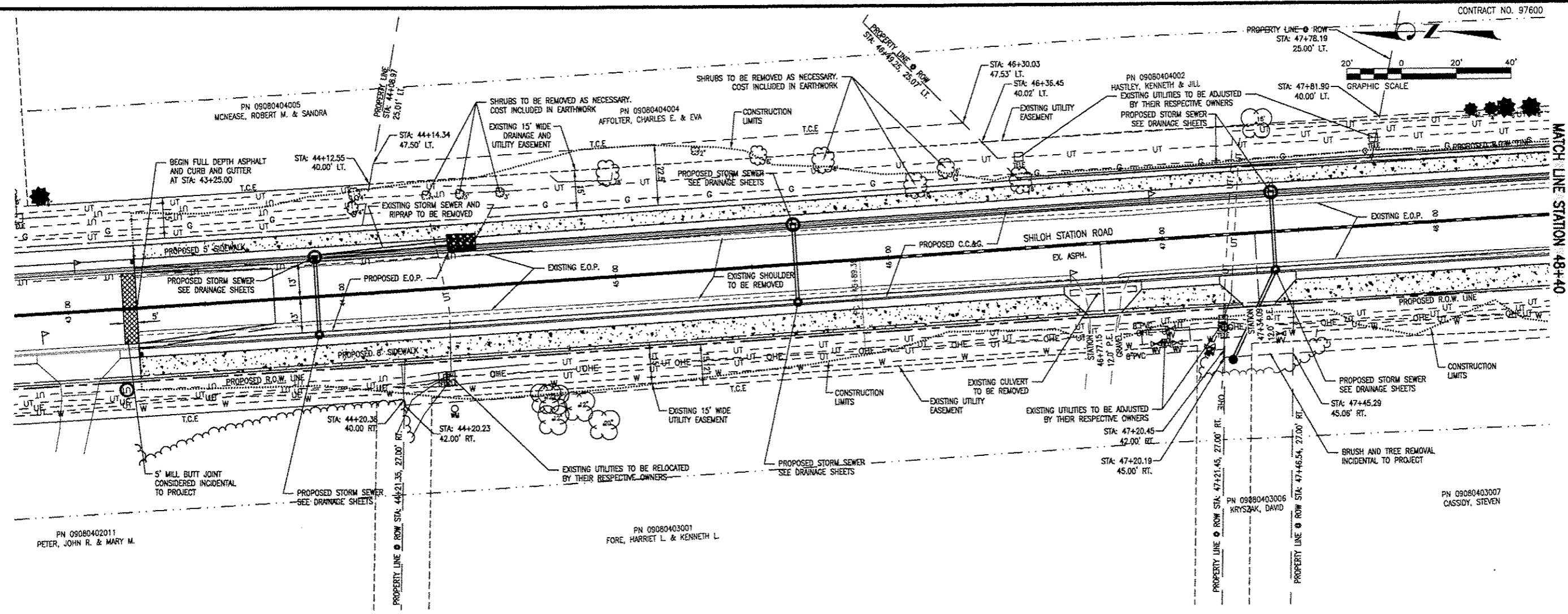


- CORPORATE OFFICE**
4940 OLD COLLINSVILLE RD.
SWANSEA, ILLINOIS 62226
TEL (618) 624-4488
FAX (618) 624-6888
corp@twm-inc.com
- WATERLOO OFFICE**
113 SOUTH MAIN STREET
WATERLOO, ILLINOIS 62298
TEL (618) 939-5050
FAX (618) 939-3939
waterloo@twm-inc.com
- EDWARDSVILLE OFFICE**
1015B CENTURY DRIVE
EDWARDSVILLE, ILLINOIS 62025
TEL (618) 656-4040
FAX (618) 656-4343
edwardsville@twm-inc.com
- ST. CHARLES OFFICE**
400 N. 5TH STREET, SUITE 101
ST. CHARLES, MISSOURI 63301
TEL (636) 724-8300
FAX (636) 724-8304
stcharles@twm-inc.com

PROFESSIONAL REGISTRATIONS	LICENSE NO.
ILLINOIS PROFESSIONAL DESIGN FIRM	184-00120
PROFESSIONAL ENGINEERING CORP.	62-035370
PROFESSIONAL STRUCTURAL ENGR. CORP.	81-000292
ILLINOIS PROF. LAND SURVEYING CORP.	048-000029
MISSOURI PROFESSIONAL ENGR. CORP.	NC 001528
MISSOURI LAND SURVEYING CORP.	NC 000348

Signature: _____
 Signature Date: _____
 Expiration Date: _____

STATEMENT OF RESPONSIBILITY
 I hereby confirm that the document herein to be authorized by my seal is restricted to this sheet, and I hereby disclaim any responsibility for all other drawings, specifications, estimates, reports or other documents or instruments relating to or intended to be utilized for any other part of the architectural, engineering or survey project.



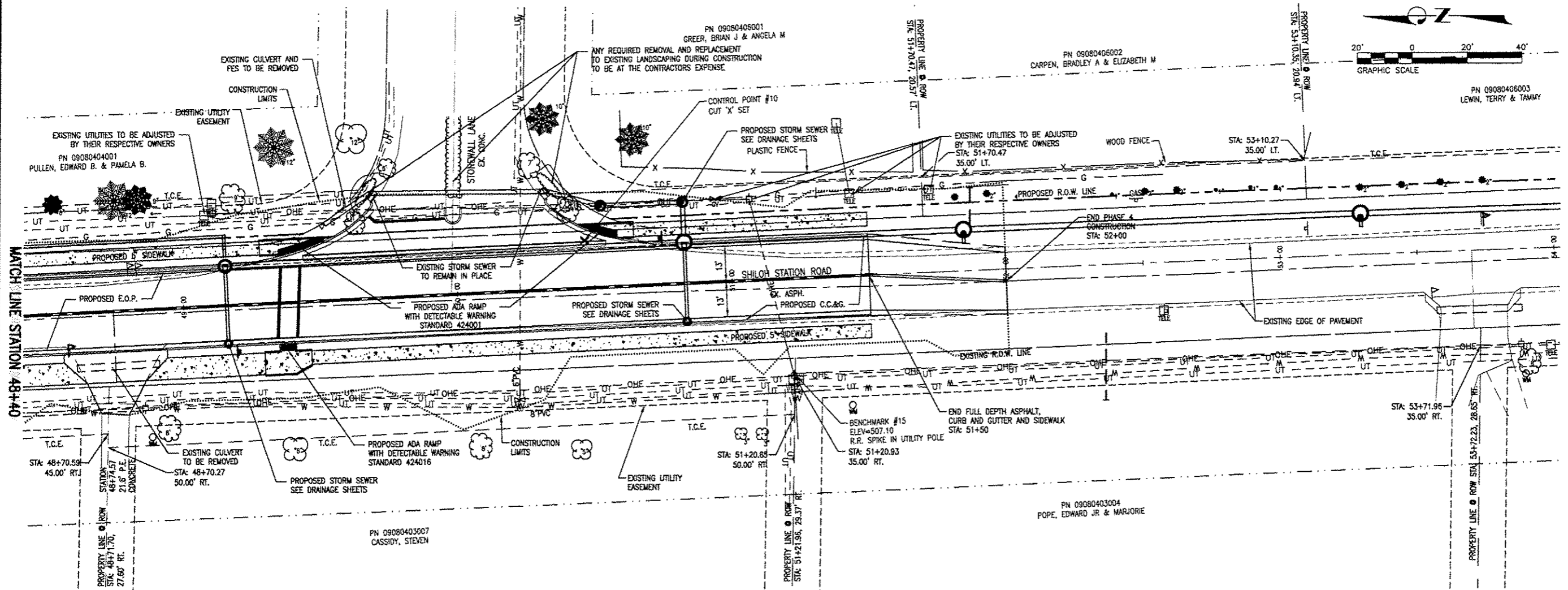
TITLE
SHILOH STATION ROAD PHASE 4
PLAN AND PROFILE
14-00011-04-PW

PROJECT
SHILOH STATION ROAD
RECONSTRUCTION
VILLAGE OF SHILOH
ST. CLAIR COUNTY, ILLINOIS

REV	DATE	DESCRIPTION
1		
2		
3		

DRAWN BY: NTS	SHEET
DESIGNED BY: NTS	8
CHECKED BY:	OF 23 SHEETS
APPROVED BY:	PROJECT DESCRIPTION
PROJECT NUMBER: T01100602	
<input checked="" type="checkbox"/> ISSUED FOR REVIEW	<input type="checkbox"/> ISSUED FOR BIDDING
<input type="checkbox"/> ISSUED FOR CONSTR.	<input type="checkbox"/> RECORD DRAWING

P:\100602\14-CADD - DWG\14-2-TR\Drawings\Phase 4\100602 - Phase 4 - Plan and Profiles, Detour, Drainage, Erosion, Marking and Signage, Wearing.dwg



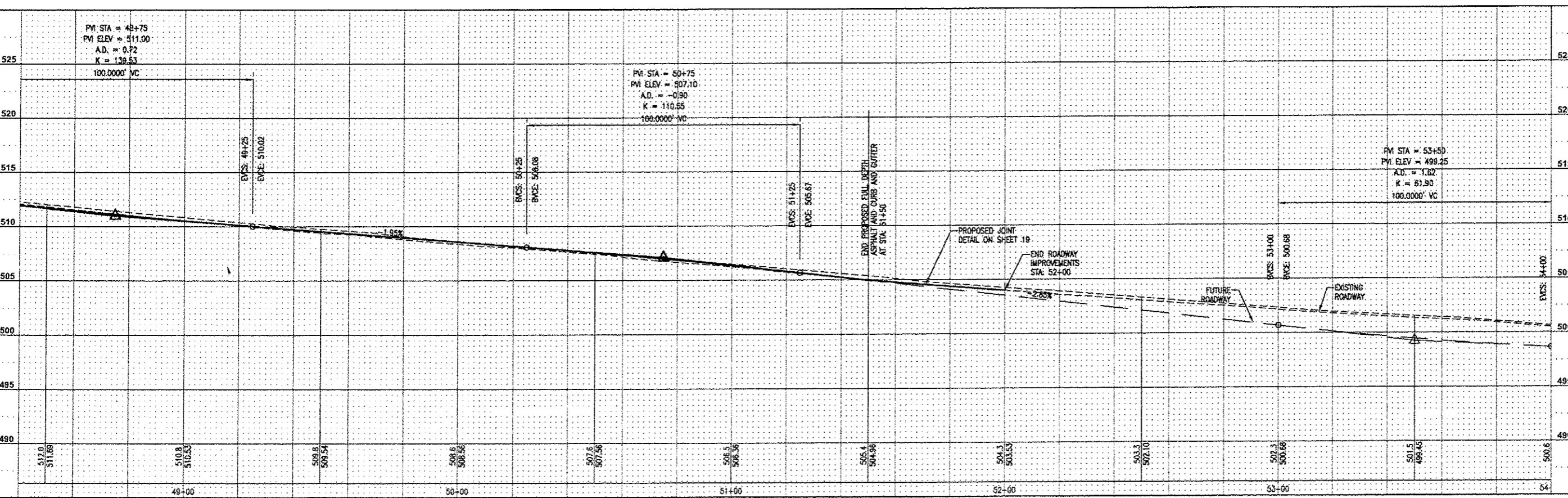
THOUVENOT, WADE & MOERCHEN, INC.
ENGINEERS • SURVEYORS • PLANNERS



- CORPORATE OFFICE**
4940 OLD COLLINSVILLE RD.
SHAWNEE, ILLINOIS 62226
TEL (618) 624-4488
FAX (618) 624-6888
corp@twm-inc.com
- WATERLOO OFFICE**
113 SOUTH MAIN STREET
WATERLOO, ILLINOIS 62298
TEL (618) 939-5050
FAX (618) 939-3938
waterloo@twm-inc.com
- EDWARDSVILLE OFFICE**
1015B CENTURY DRIVE
EDWARDSVILLE, ILLINOIS 62025
TEL (618) 656-4040
FAX (618) 656-4343
edwardsville@twm-inc.com
- ST. CHARLES OFFICE**
400 N. 9TH STREET, SUITE 101
ST. CHARLES, MISSOURI 63301
TEL (636) 724-8300
FAX (636) 724-8304
stlou@twm-inc.com

PROFESSIONAL REGISTRATIONS	LICENSE NO.
ILLINOIS PROFESSIONAL DESIGN FIRM	184-001220
PROFESSIONAL ENGINEERING CORP.	62-03370
PROFESSIONAL STRUCTURAL ENGR. CORP.	61-000202
ILLINOIS PROF. LAND SURVEYING CORP.	048-000202
MISSOURI PROFESSIONAL ENGR. CORP.	HC 001528
MISSOURI LAND SURVEYING CORP.	HC 000346

Signature: _____
 Signature Date: _____
 Expiration Date: _____
STATEMENT OF RESPONSIBILITY
 I hereby confirm that the document herein to be authorized by my seal is restricted to this sheet, and I hereby disclaim any responsibility for all other drawings, specifications, estimates, reports or other documents or instruments relating to or intended to be utilized for any other part of the architectural, engineering or survey project.



TITLE
SHILOH STATION ROAD PHASE 4
PLAN AND PROFILE
14-00011-04-PW

PROJECT
SHILOH STATION ROAD
RECONSTRUCTION
VILLAGE OF SHILOH
ST. CLAIR COUNTY, ILLINOIS

REV	DATE	DESCRIPTION

DRAWN BY: NTS	SHEET 9 OF 23 SHEETS
DESIGNED BY: NTS	
CHECKED BY:	
APPROVED BY:	
PROJECT NUMBER: T01100602	PROJECT DESCRIPTION:

- ISSUED FOR REVIEW
- ISSUED FOR CONSTRUCTION
- ISSUED FOR BIDDING
- RECORD DRAWING

E:\100602\14-0001 - DWG\14-0001-TR Drawings\Phase 4\100602 - Phase 4 - Plan and Profiles, Detour, Drainage, Erosion, Marking and Signage, Wapling.dwg

THOUVENOT, WADE & MOERCHEN, INC.
ENGINEERS • SURVEYORS • PLANNERS



- CORPORATE OFFICE**
4940 OLD COLLINGSVILLE RD.
SWANSEA, ILLINOIS 62226
TEL (618) 624-4488
FAX (618) 624-6888
corp@twm-inc.com
- WATERLOO OFFICE**
113 SOUTH MAIN STREET
WATERLOO, ILLINOIS 62298
TEL (618) 939-5050
FAX (618) 939-3938
waterloo@twm-inc.com
- EDWARDSVILLE OFFICE**
10158 CENTURY DRIVE
EDWARDSVILLE, ILLINOIS 62025
TEL (618) 656-4040
FAX (618) 656-4343
edwardsville@twm-inc.com
- ST. CHARLES OFFICE**
400 N. 5TH STREET, SUITE 101
ST. CHARLES, MISSOURI 63301
TEL (636) 724-8300
FAX (636) 724-8304
stlouise@twm-inc.com

PROFESSIONAL REGISTRATIONS	LICENSE NO.
ILLINOIS PROFESSIONAL DESIGN FIRM	184-001220
ILLINOIS PROFESSIONAL ENGINEERING CORP.	62-035370
PROFESSIONAL STRUCTURAL ENGR. CORP.	81-005202
ILLINOIS PROF. LAND SURVEYING CORP.	048-000029
MISSOURI PROFESSIONAL ENGR. CORP.	NC 001528
MISSOURI LAND SURVEYING CORP.	NC 000346

SEAL

Signature: _____
Signature Date: _____
Expiration Date: _____

STATEMENT OF RESPONSIBILITY
I hereby confirm that the document herein to be authorized by my seal is restricted to this sheet, and I hereby disclaim any responsibility for all other drawings, specifications, estimates, reports or other documents or instruments relating to or intended to be utilized for any other part of the architectural, engineering or survey project.

TITLE: SHILOH STATION ROAD PHASE 4
DETOUR PLAN
14-00011-04-PW

PROJECT: SHILOH STATION ROAD
RECONSTRUCTION
VILLAGE OF SHILOH
ST. CLAIR COUNTY, ILLINOIS

REV.	DATE	DESCRIPTION

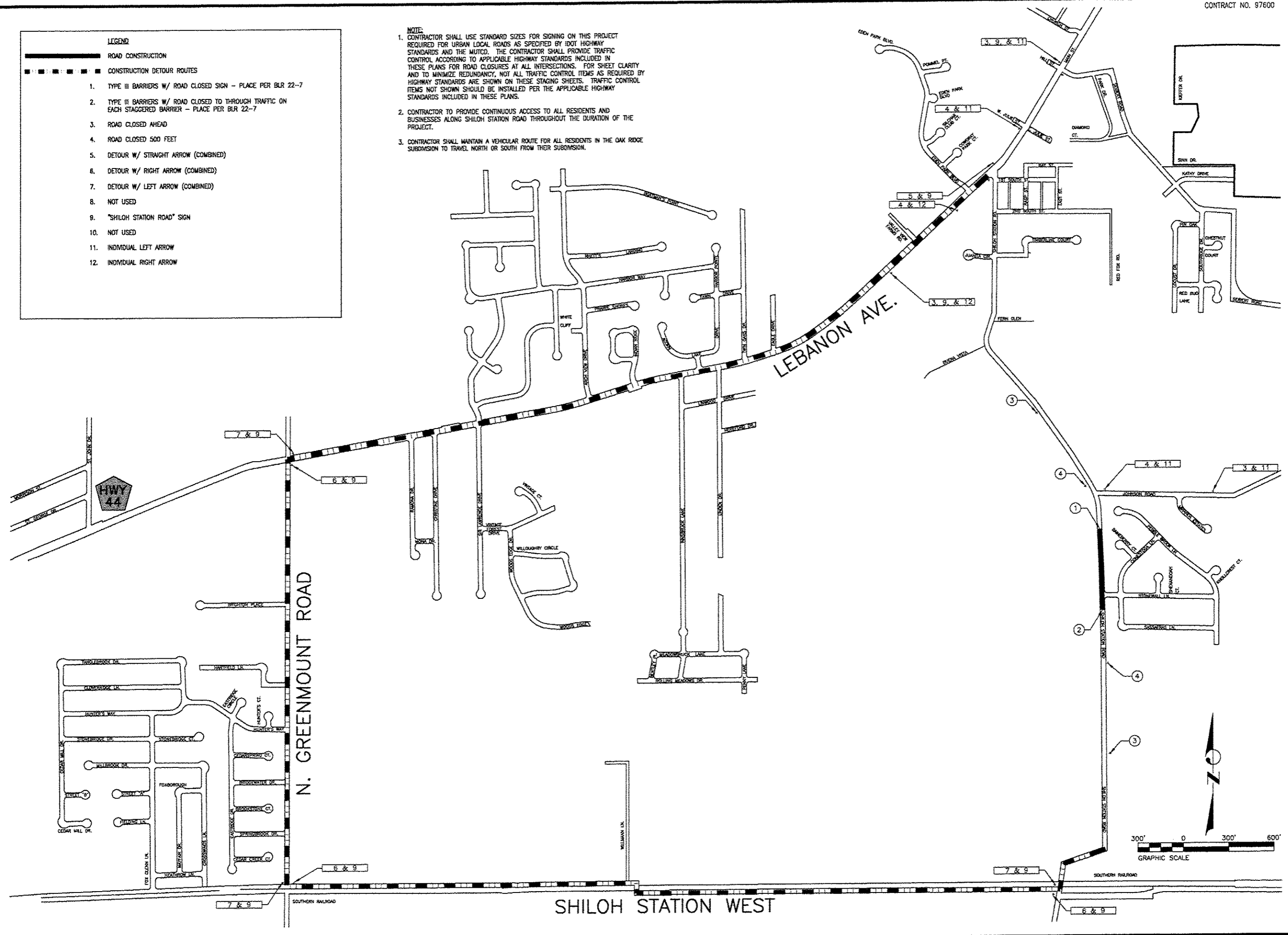
DRAWN BY: _____	NTS	10 OF 23 SHEETS
DESIGNED BY: _____	NTS	
CHECKED BY: _____		
APPROVED BY: _____		
PROJECT NUMBER: T01100802		PROJECT DESCRIPTION: _____
<input checked="" type="checkbox"/> ISSUED FOR REVIEW	<input type="checkbox"/> ISSUED FOR BIDDING	
<input type="checkbox"/> ISSUED FOR CONSTR.	<input type="checkbox"/> RECORD DRAWING	

LEGEND

- ROAD CONSTRUCTION
- CONSTRUCTION DETOUR ROUTES

1. TYPE III BARRIERS W/ ROAD CLOSED SIGN - PLACE PER BLR 22-7
2. TYPE III BARRIERS W/ ROAD CLOSED TO THROUGH TRAFFIC ON EACH STAGGERED BARRIER - PLACE PER BLR 22-7
3. ROAD CLOSED AHEAD
4. ROAD CLOSED 500 FEET
5. DETOUR W/ STRAIGHT ARROW (COMBINED)
6. DETOUR W/ RIGHT ARROW (COMBINED)
7. DETOUR W/ LEFT ARROW (COMBINED)
8. NOT USED
9. "SHILOH STATION ROAD" SIGN
10. NOT USED
11. INDIVIDUAL LEFT ARROW
12. INDIVIDUAL RIGHT ARROW

- NOTE:**
1. CONTRACTOR SHALL USE STANDARD SIZES FOR SIGNING ON THIS PROJECT REQUIRED FOR URBAN LOCAL ROADS AS SPECIFIED BY IDOT HIGHWAY STANDARDS AND THE MUTCD. THE CONTRACTOR SHALL PROVIDE TRAFFIC CONTROL ACCORDING TO APPLICABLE HIGHWAY STANDARDS INCLUDED IN THESE PLANS FOR ROAD CLOSURES AT ALL INTERSECTIONS. FOR SHEET CLARITY AND TO MINIMIZE REDUNDANCY, NOT ALL TRAFFIC CONTROL ITEMS AS REQUIRED BY HIGHWAY STANDARDS ARE SHOWN ON THESE STAGING SHEETS. TRAFFIC CONTROL ITEMS NOT SHOWN SHOULD BE INSTALLED PER THE APPLICABLE HIGHWAY STANDARDS INCLUDED IN THESE PLANS.
 2. CONTRACTOR TO PROVIDE CONTINUOUS ACCESS TO ALL RESIDENTS AND BUSINESSES ALONG SHILOH STATION ROAD THROUGHOUT THE DURATION OF THE PROJECT.
 3. CONTRACTOR SHALL MAINTAIN A VEHICULAR ROUTE FOR ALL RESIDENTS IN THE OAK RIDGE SUBDIVISION TO TRAVEL NORTH OR SOUTH FROM THEIR SUBDIVISION.



P:\100802\4-CADD - DWG\4-2-TR\Drawings\Phase 4 - Plan and Profiles\Drawings\Phase 4\100802 - Phase 4 - Plan and Profiles\Detour, Drainage, Erosion, Marking and Signage\Worship.dwg

**THOUVENOT,
WADE &
MOERCHEN, INC.**
ENGINEERS • SURVEYORS • PLANNERS



CORPORATE OFFICE
4940 OLD COLLINSVILLE RD.
SHAWNEE, ILLINOIS 62226
TEL (618) 624-4488
FAX (618) 624-6688
corp@twm-inc.com

WATERLOO OFFICE
113 SOUTH MAIN STREET
WATERLOO, ILLINOIS 62298
TEL (618) 939-5050
FAX (618) 939-3938
waterloo@twm-inc.com

EDWARDSVILLE OFFICE
1015B CENTURY DRIVE
EDWARDSVILLE, ILLINOIS 62025
TEL (618) 656-4040
FAX (618) 656-4343
edwardsville@twm-inc.com

ST. CHARLES OFFICE
400 N. 5TH STREET, SUITE 101
ST. CHARLES, MISSOURI 63301
TEL (636) 724-8300
FAX (636) 724-8304
stcharles@twm-inc.com

PROFESSIONAL REGISTRATIONS	LICENSE NO.
ILLINOIS PROFESSIONAL DESIGN FIRM	184-001200
PROFESSIONAL ENGINEERING CORP.	62-005370
PROFESSIONAL STRUCTURAL ENGR. CORP.	81-005202
ILLINOIS PROF. LAND SURVEYING CORP.	048-000029
MISSOURI PROFESSIONAL ENGR. CORP.	NC 001528
MISSOURI LAND SURVEYING CORP.	NC 000346

SEAL

Signature: _____
Signature Date: _____
Expiration Date: _____
STATEMENT OF RESPONSIBILITY
I hereby confirm that the document herein to be authenticated by my seal is restricted to this sheet, and I hereby disclaim any responsibility for all other drawings, specifications, estimates, reports or other documents or instruments relating to or intended to be utilized for any other part of the architectural, engineering or survey project.

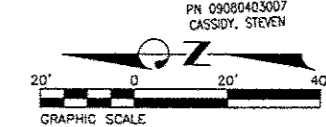
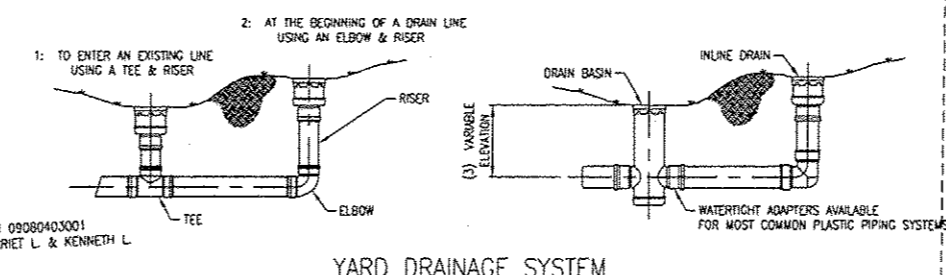
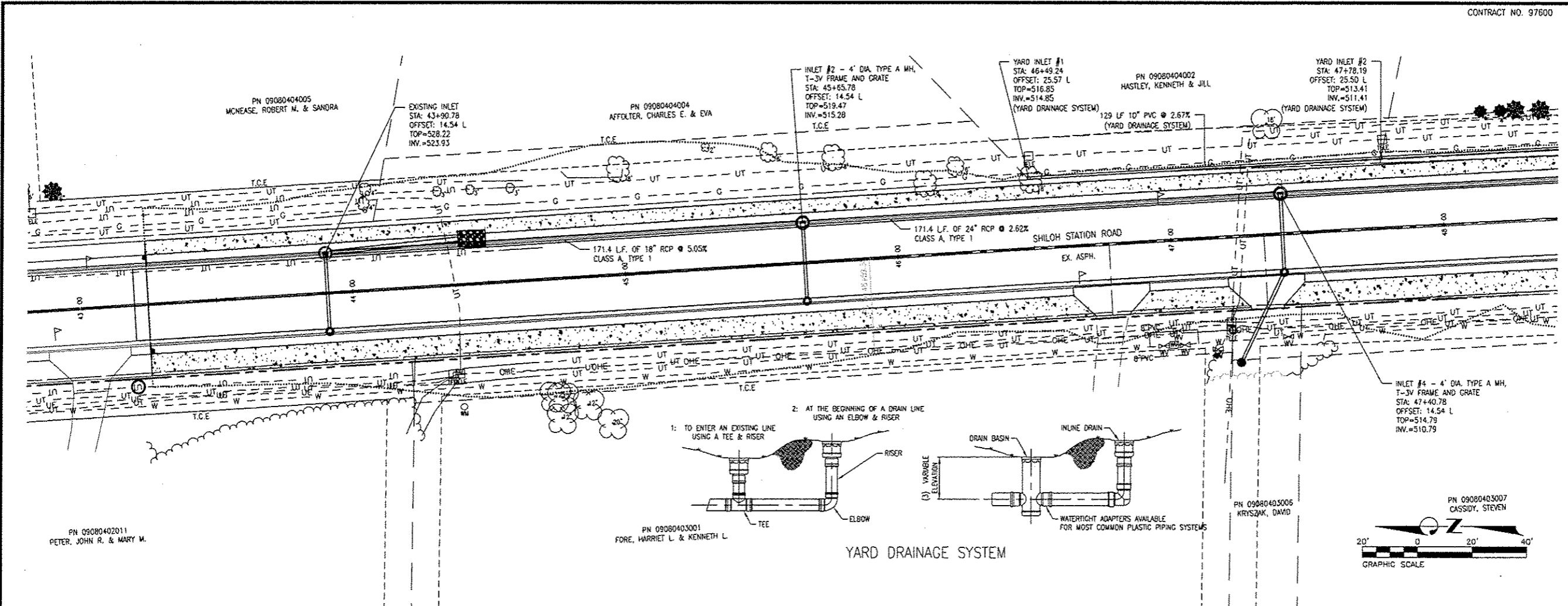
Signature: _____
Signature Date: _____
Expiration Date: _____

TITLE: **SHILOH STATION ROAD PHASE 4
DRAINAGE PLAN AND EAST PROFILE**
PROJECT: **SHILOH STATION ROAD
RECONSTRUCTION
VILLAGE OF SHILOH
ST. CLAIR COUNTY, ILLINOIS**

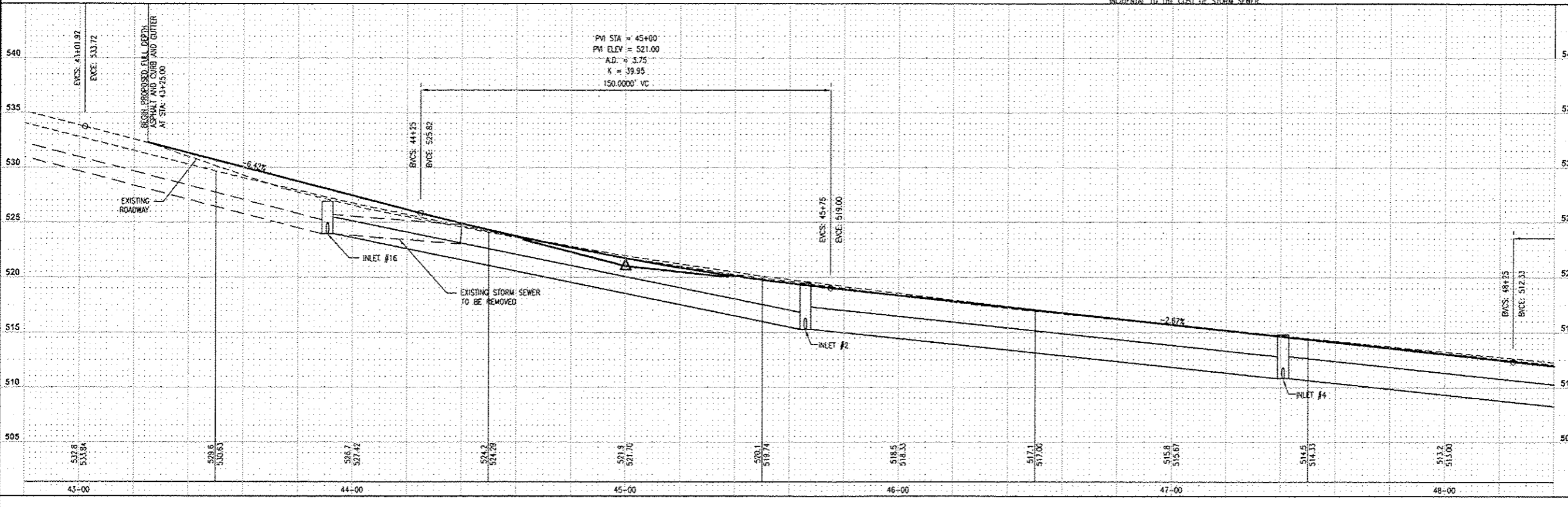
REV	DATE	DESCRIPTION
△		
△		
△		

DRAWN BY:	NTS	SHEET
DESIGNED BY:	NTS	11
DATE:		OF 23 SHEETS
APPROVED BY:		PROJECT DESCRIPTION
PROJECT NUMBER:	T01100602	

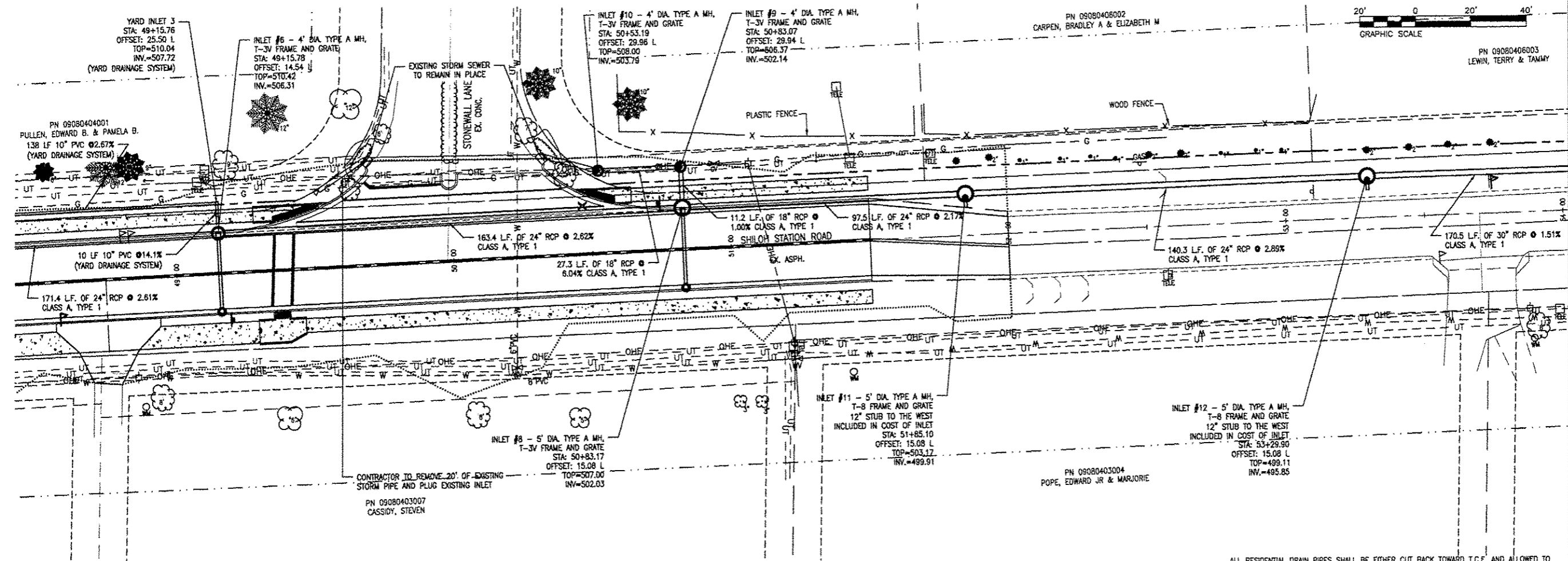
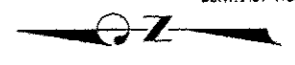
ISSUED FOR REVIEW ISSUED FOR BIDDING
 ISSUED FOR CONSTR. RECORD DRAWING



ALL RESIDENTIAL DRAIN PIPES SHALL BE EITHER CUT BACK TOWARD T.C.E. AND ALLOWED TO SURFACE DRAIN OR TIED DIRECTLY TO THE STORM SEWER SYSTEM. COST TO BE CONSIDERED INCIDENTAL TO THE COST OF STORM SEWER.



P:\100602\1-0400 - DWG\1.7-IR\Drawings\Phase 4\100602 - Phase 4 - Plan and Profiles, Detour, Redesign, Erection, Marking and Signage, Waplog.dwg



**THOUVENOT,
WADE &
MOERCHEN, INC.**
ENGINEERS • SURVEYORS • PLANNERS



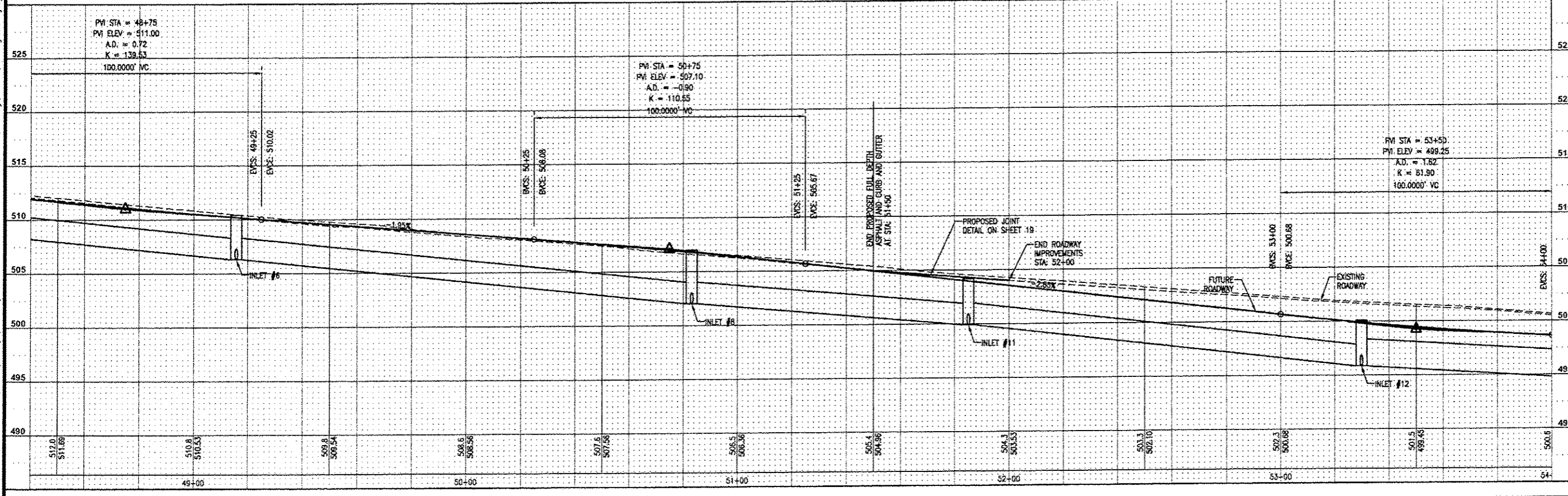
- CORPORATE OFFICE**
4940 OLD COLLINSVILLE RD.
SWANSEA, ILLINOIS 62226
TEL (618) 624-4488
FAX (618) 624-6688
corp@twm-inc.com
- WATERLOO OFFICE**
113 SOUTH MAIN STREET
WATERLOO, ILLINOIS 62298
TEL (618) 939-5050
FAX (618) 939-3938
waterloo@twm-inc.com
- EDWARDSVILLE OFFICE**
10159 CENTURY DRIVE
EDWARDSVILLE, ILLINOIS 62025
TEL (618) 656-4040
FAX (618) 656-4343
edwardsville@twm-inc.com
- ST. CHARLES OFFICE**
400 N. 5TH STREET, SUITE 101
ST. CHARLES, MISSOURI 63301
TEL (636) 724-8300
FAX (636) 724-8304
stlouis@twm-inc.com

PROFESSIONAL REGISTRATIONS	LICENSE NO.
ILLINOIS PROFESSIONAL DESIGN FIRM	184-001220
PROFESSIONAL ENGINEERING CORP.	62-033370
PROFESSIONAL STRUCTURAL ENGR. CORP.	81-090202
ILLINOIS PROF. LAND SURVEYING CORP.	048-000029
MISSOURI PROFESSIONAL ENGR. CORP.	NC 001528
MISSOURI LAND SURVEYING CORP.	NC 098346

Signature: _____
Signature Date: _____
Expiration Date: _____

STATEMENT OF RESPONSIBILITY
I hereby confirm that the document herein to be authorized by my seal is restricted to this sheet, and I hereby disclaim any responsibility for all other drawings, specifications, estimates, reports or other documents or instruments relating to or intended to be utilized for any other part of the architectural, engineering or survey project.

ALL RESIDENTIAL DRAIN PIPES SHALL BE EITHER CUT BACK TOWARD T.C.E. AND ALLOWED TO SURFACE DRAIN OR TIED DIRECTLY TO THE STORM SEWER SYSTEM. COST TO BE CONSIDERED INCIDENTAL TO THE COST OF STORM SEWER.



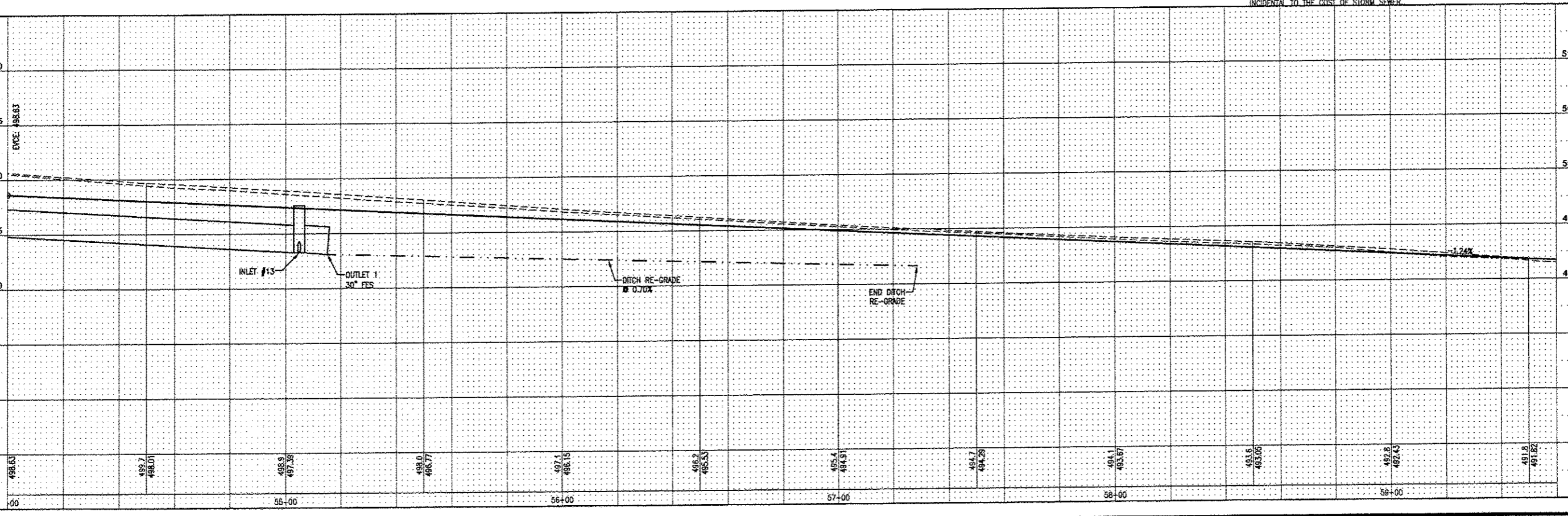
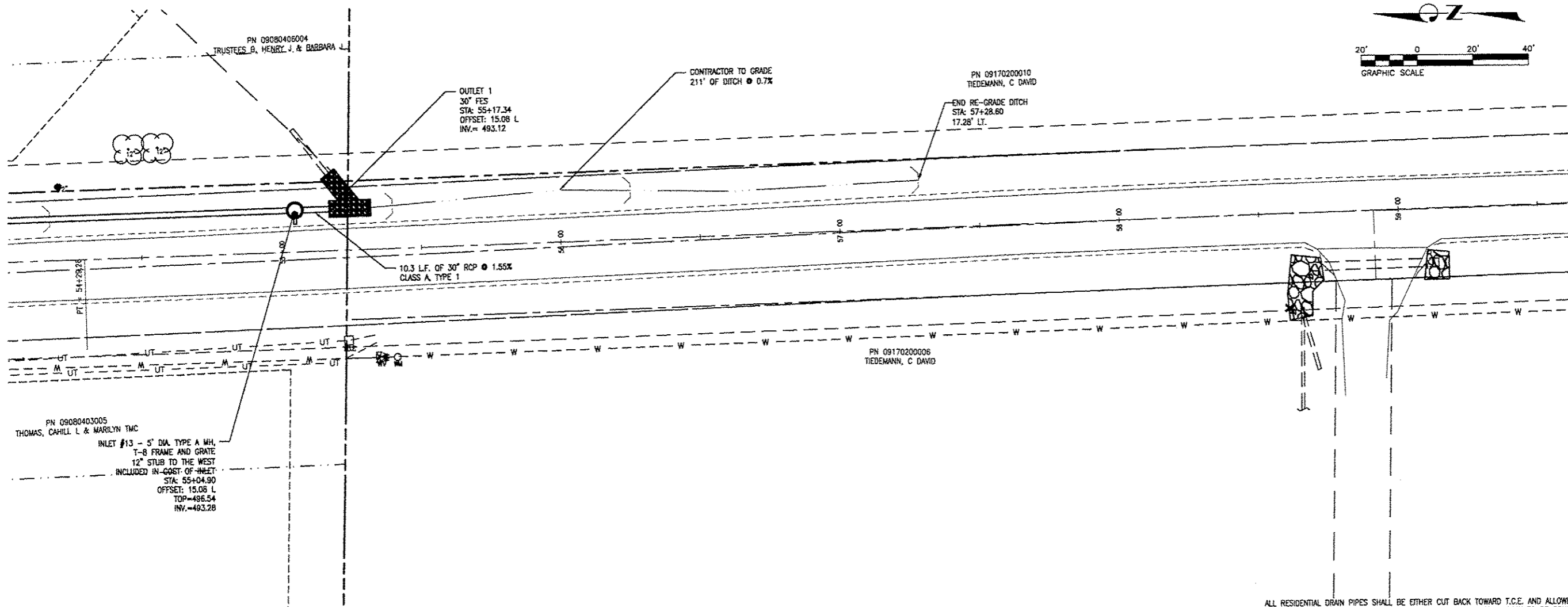
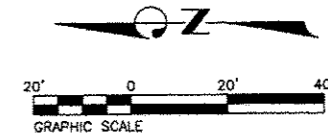
TITLE: SHILOH STATION ROAD PHASE 4
DRAINAGE PLAN AND EAST PROFILE
14-00011-04-PW

PROJECT: SHILOH STATION ROAD
RECONSTRUCTION
VILLAGE OF SHILOH
ST. CLAIR COUNTY, ILLINOIS

REV.	DATE	DESCRIPTION
△		
△		
△		

DRAWN BY:	NTS	SHEET
DESIGNED BY:	NTS	12
CHECKED BY:		OF 23 SHEETS
APPROVED BY:		PROJECT DESCRIPTION
PROJECT NUMBER:	T01100602	
<input checked="" type="checkbox"/> ISSUED FOR REVIEW	<input type="checkbox"/> ISSUED FOR BIDDING	
<input type="checkbox"/> ISSUED FOR CONSTR.	<input type="checkbox"/> RECORD DRAWING	

P:\100602\14-CADD - DWG\14-2-1R\Drawings\Phase 4\100602 - Phase 4 - Plan and Profiles, Detour, Drainage, Erosion, Marking and Signage, Wopping.dwg



ALL RESIDENTIAL DRAIN PIPES SHALL BE EITHER CUT BACK TOWARD T.C.E. AND ALLOWED TO SURFACE DRAIN OR TIED DIRECTLY TO THE STORM SEWER SYSTEM. COST TO BE CONSIDERED INCIDENTAL TO THE COST OF STORM SEWER.

THOUVENOT, WADE & MOERCHEN, INC.
ENGINEERS • SURVEYORS • PLANNERS

TWM

- CORPORATE OFFICE**
4940 OLD COLLINSVILLE RD.
SWANSEA, ILLINOIS 62228
TEL (618) 824-4488
FAX (618) 824-6688
corp@twm-inc.com
- WATERLOO OFFICE**
113 SOUTH MAIN STREET
WATERLOO, ILLINOIS 62298
TEL (618) 939-5050
FAX (618) 939-3938
waterloo@twm-inc.com
- EDWARDSVILLE OFFICE**
1015B CENTURY DRIVE
EDWARDSVILLE, ILLINOIS 62025
TEL (618) 656-4040
FAX (618) 656-4343
edwardsville@twm-inc.com
- ST. CHARLES OFFICE**
400 N. 5TH STREET, SUITE 101
ST. CHARLES, MISSOURI 63301
TEL (636) 724-8300
FAX (636) 724-8304
stcharles@twm-inc.com

PROFESSIONAL REGISTRATIONS	LICENSE NO.
ILLINOIS PROFESSIONAL DESIGN FIRM	184-001220
PROFESSIONAL ENGINEERING CORP.	82-003370
PROFESSIONAL STRUCTURAL ENGR. CORP.	81-002502
ILLINOIS PROF. LAND SURVEYING CORP.	048-000029
MISSOURI PROFESSIONAL ENGR. CORP.	NC 001529
MISSOURI LAND SURVEYING CORP.	NC 000346

SEAL

Signature: _____
Signature Date: _____
Expiration Date: _____

STATEMENT OF RESPONSIBILITY

I hereby confirm that the document herein to be authorized by my seal is restricted to this sheet, and I hereby disclaim any responsibility for all other drawings, specifications, estimates, reports or other documents or instruments relating to or intended to be utilized for any other part of the architectural, engineering or survey project.

TITLE: SHILOH STATION ROAD PHASE 4 DRAINAGE PLAN AND EAST PROFILE

PROJECT: SHILOH STATION ROAD RECONSTRUCTION VILLAGE OF SHILOH ST. CLAIR COUNTY, ILLINOIS

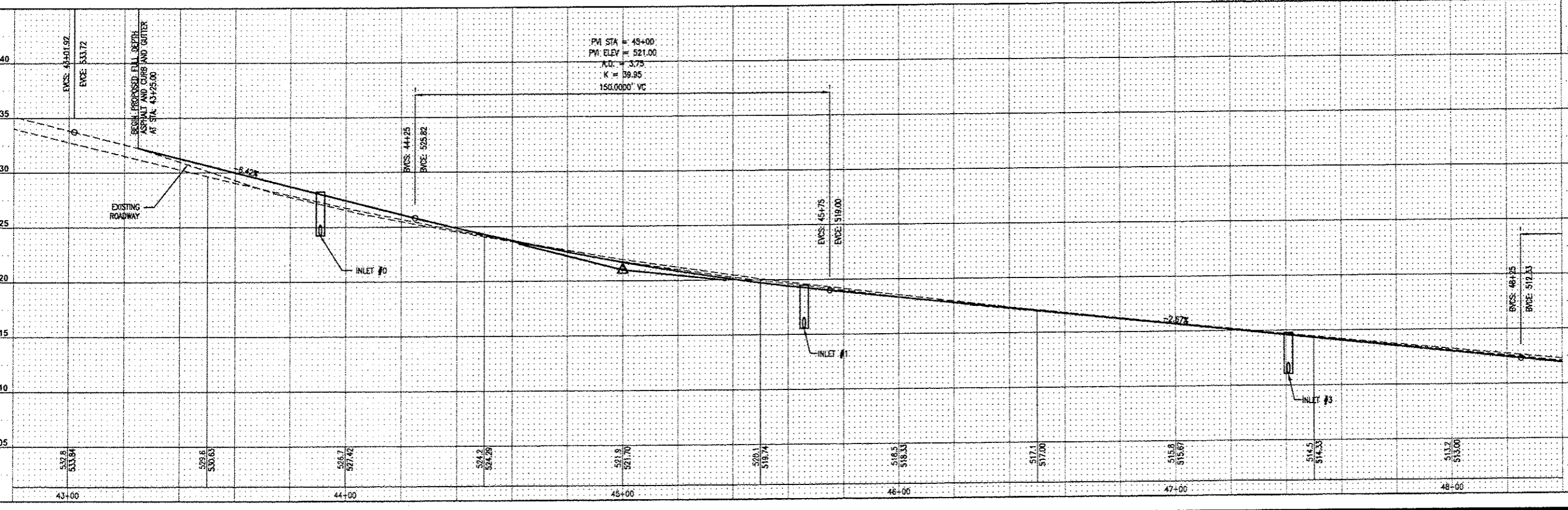
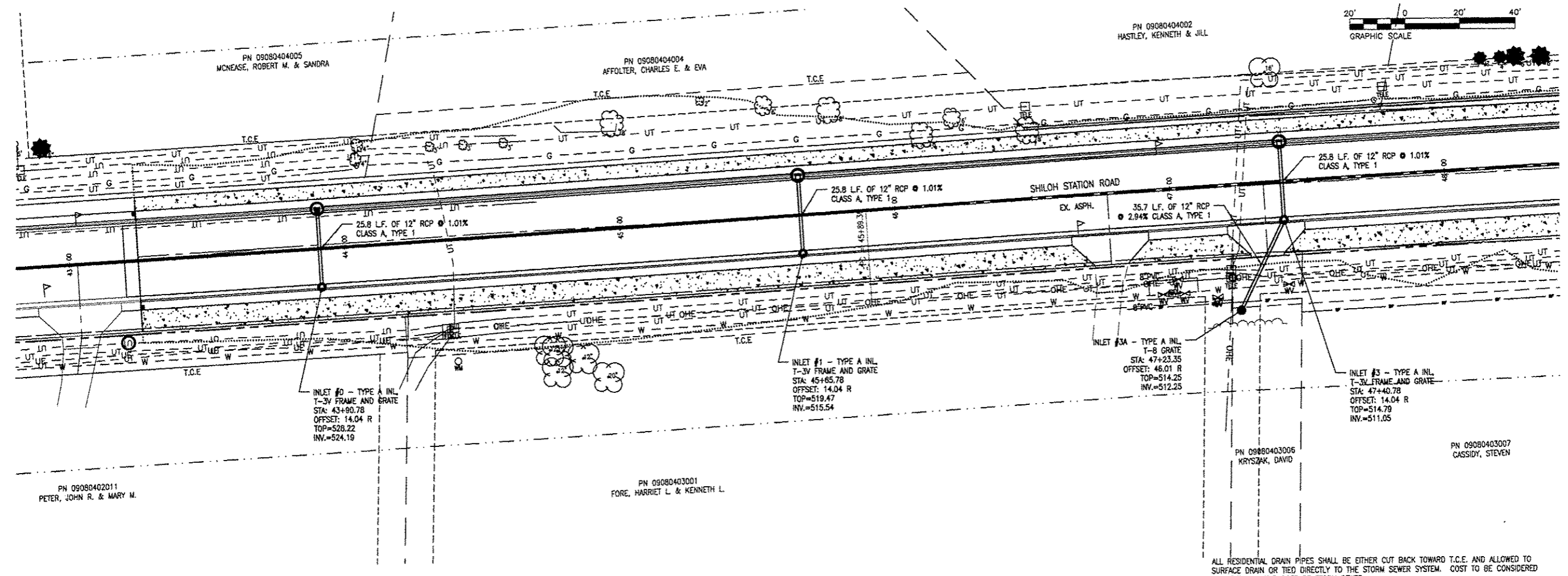
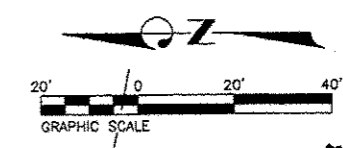
14-00011-04-PW

REV.	DATE	DESCRIPTION
△		
△		
△		

DRAWN BY: NTS	SHEET
DESIGNED BY: NTS	13
CHECKED BY:	OF 23 SHEETS
APPROVED BY:	PROJECT DESCRIPTION
PROJECT NUMBER: T01100602	

ISSUED FOR REVIEW ISSUED FOR BIDDING
 ISSUED FOR CONSTR. RECORD DRAWING

P:\100602\4-CADD - DWG\4.2-TR\Drawings\Phase 4\100602 - Phase 4 - Plan and Profiles, Detour, Drainage, Erosion, Marking and Signage, Warnings.dwg



ALL RESIDENTIAL DRAIN PIPES SHALL BE EITHER CUT BACK TOWARD T.C.E. AND ALLOWED TO SURFACE DRAIN OR TIED DIRECTLY TO THE STORM SEWER SYSTEM. COST TO BE CONSIDERED INCIDENTAL TO THE COST OF STORM SEWER.

THOUMENOT, WADE & MOERCHEN, INC.
ENGINEERS • SURVEYORS • PLANNERS



- CORPORATE OFFICE**
4940 OLD COLLINSVILLE RD.
SWANSEA, ILLINOIS 62226
TEL (618) 624-4488
FAX (618) 624-6588
corp@twm-inc.com
- WATERLOO OFFICE**
113 SOUTH MAIN STREET
WATERLOO, ILLINOIS 62298
TEL (618) 939-6050
FAX (618) 939-3938
waterloo@twm-inc.com
- EDWARDSVILLE OFFICE**
10158 CENTURY DRIVE
EDWARDSVILLE, ILLINOIS 62025
TEL (618) 656-4040
FAX (618) 656-4343
edwardsville@twm-inc.com
- ST. CHARLES OFFICE**
400 N. 5TH STREET, SUITE 101
ST. CHARLES, MISSOURI 63301
TEL (636) 724-8300
FAX (636) 724-8304
stlouis@twm-inc.com

PROFESSIONAL REGISTRATIONS	LICENSE NO.
ILLINOIS PROFESSIONAL DESIGN FIRM	184-001220
ILLINOIS PROFESSIONAL ENGINEERING CORP.	02-033370
PROFESSIONAL STRUCTURAL ENGR. CORP.	81-005202
ILLINOIS PROF. LAND SURVEYING CORP.	048-000209
MISSOURI PROFESSIONAL ENGR. CORP.	HC 001528
MISSOURI LAND SURVEYING CORP.	HC 000346

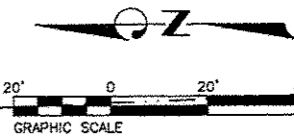
Signature: _____
 Signature Date: _____
 Expiration Date: _____
STATEMENT OF RESPONSIBILITY
 I hereby confirm that the document herein to be authorized by my seal is restricted to this sheet, and I hereby disclaim any responsibility for all other drawings, specifications, estimates, reports or other documents or instruments relating to or intended to be utilized for any other part of the architectural, engineering or survey project.

TITLE: SHILOH STATION ROAD PHASE 4 DRAINAGE PLAN AND WEST PROFILE
PROJECT: SHILOH STATION ROAD RECONSTRUCTION VILLAGE OF SHILOH ST. CLAIR COUNTY, ILLINOIS
 14-00011-04-PW

REV	DATE	DESCRIPTION
△		
△		
△		

DRAWN BY: _____	NTS	14
DESIGNED BY: _____	NTS	
CHECKED BY: _____		OF 23 SHEETS
APPROVED BY: _____		PROJECT DESCRIPTION
PROJECT NUMBER: T01100602		
<input checked="" type="checkbox"/> ISSUED FOR REVIEW	<input type="checkbox"/> ISSUED FOR BIDDING	
<input type="checkbox"/> ISSUED FOR CONSTR.	<input type="checkbox"/> RECORD DRAWING	

P:\100602\4-CADD - DWG\1-2-TR\Drawings\Phase 4\100602 - Phase 4 - Plan and Profiles, Detour, Drainage, Erection, Marking and Signage, Wearing.dwg



**THOUVENOT,
WADE &
MOERCHEN, INC.**
ENGINEERS • SURVEYORS • PLANNERS



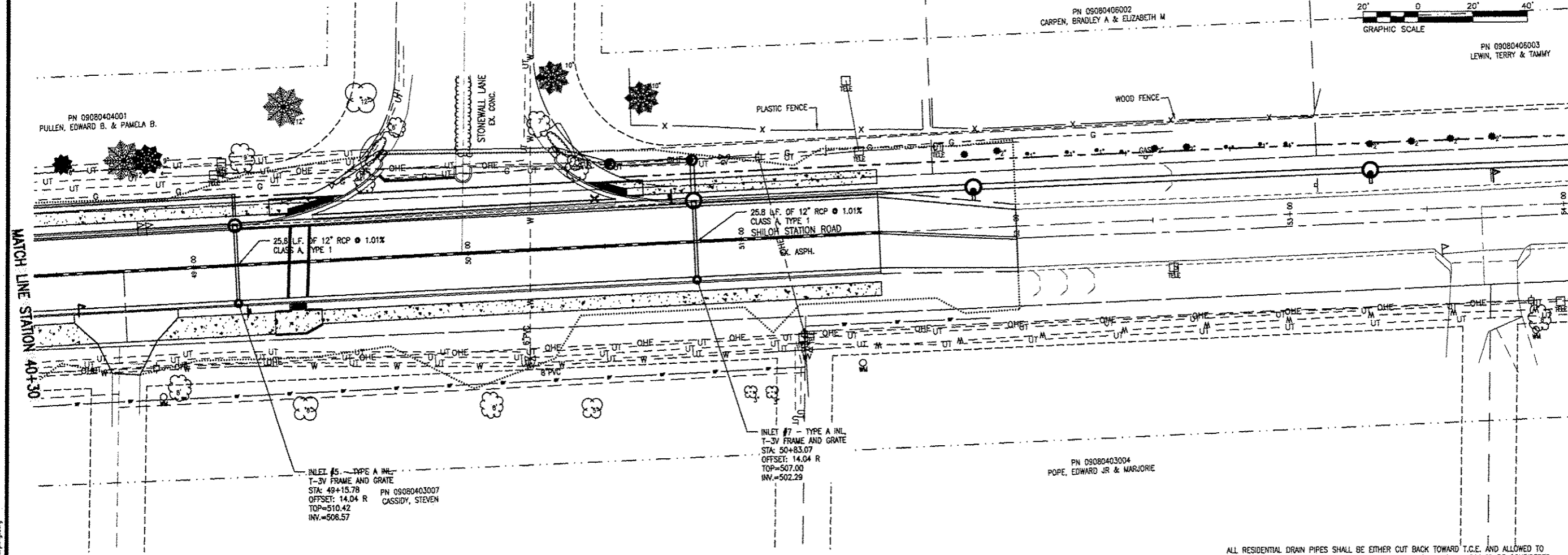
- CORPORATE OFFICE**
4940 OLD COLLINSVILLE RD.
SWANSEA, ILLINOIS 62226
TEL (618) 624-4488
FAX (618) 624-8888
corp@twm-inc.com
- WATERLOO OFFICE**
113 SOUTH MAIN STREET
WATERLOO, ILLINOIS 62298
TEL (618) 939-5050
FAX (618) 939-3938
waterloo@twm-inc.com
- EDWARDSVILLE OFFICE**
10158 CENTURY DRIVE
EDWARDSVILLE, ILLINOIS 62025
TEL (618) 656-4040
FAX (618) 656-4343
edwardsville@twm-inc.com
- ST. CHARLES OFFICE**
400 N. 5TH STREET, SUITE 101
ST. CHARLES, MISSOURI 63301
TEL (636) 724-8300
FAX (636) 724-8304
stlouis@twm-inc.com

PROFESSIONAL REGISTRATIONS	LICENSE NO.
ILLINOIS PROFESSIONAL DESIGN FIRM	184-001220
PROFESSIONAL ENGINEERING CORP.	62-003370
PROFESSIONAL STRUCTURAL ENGR. CORP.	81-000022
ILLINOIS PROF. LAND SURVEYING CORP.	045-000029
MISSOURI PROFESSIONAL ENGR. CORP.	NC 001528
MISSOURI LAND SURVEYING CORP.	NC 000346

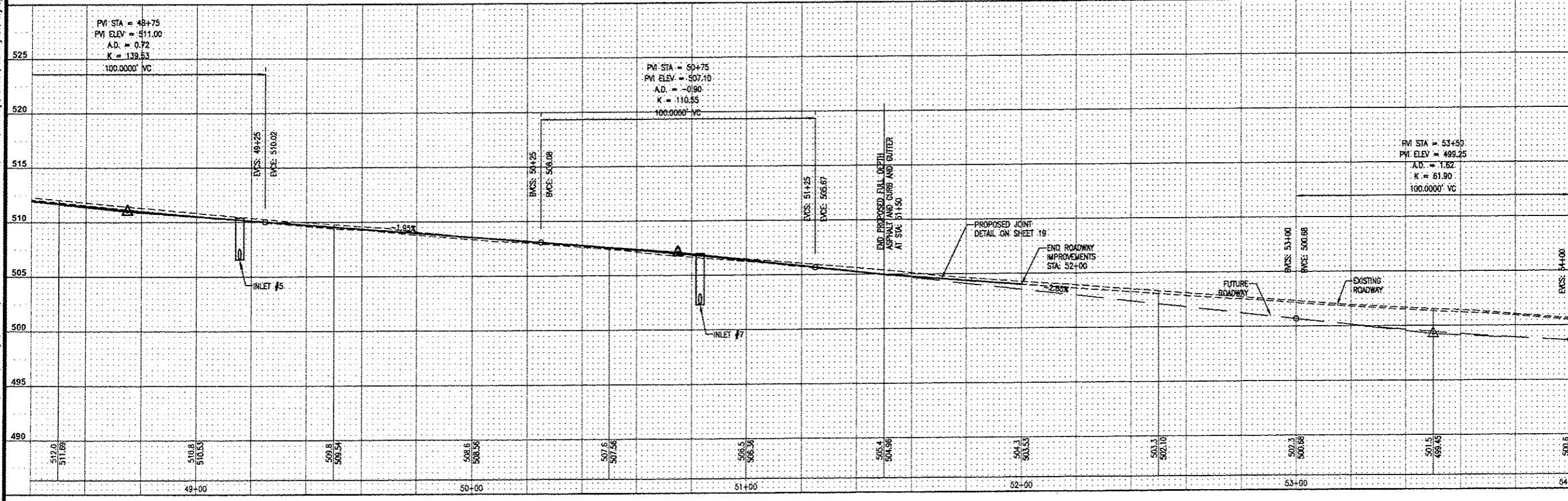
Signature: _____
Signature Date: _____
Expiration Date: _____

STATEMENT OF RESPONSIBILITY
I hereby confirm that the document herein to be authorized by my seal is restricted to this sheet, and I hereby disclaim any responsibility for all other drawings, specifications, estimates, reports or other documents or instruments relating to or intended to be utilized for any other part of the architectural, engineering or survey project.

MATCH LINE STATION 40+30



ALL RESIDENTIAL DRAIN PIPES SHALL BE EITHER CUT BACK TOWARD T.C.E. AND ALLOWED TO SURFACE DRAIN OR TIED DIRECTLY TO THE STORM SEWER SYSTEM. COST TO BE CONSIDERED INCIDENTAL TO THE COST OF STORM SEWER.



TITLE
SHILOH STATION ROAD PHASE 4
DRAINAGE PLAN AND WEST PROFILE
14-00011-04-PW

PROJECT
SHILOH STATION ROAD
RECONSTRUCTION
VILLAGE OF SHILOH
ST. CLAIR COUNTY, ILLINOIS

REV#	DATE	DESCRIPTION

DRAWN BY: NTS	SHEET 15 OF 23 SHEETS
DESIGNED BY: NTS	
CHECKED BY:	PROJECT DESCRIPTION
PROJECT NUMBER: T01100602	
<input type="checkbox"/> ISSUED FOR REVIEW	<input type="checkbox"/> ISSUED FOR BIDDING
<input type="checkbox"/> ISSUED FOR CONSTR.	<input type="checkbox"/> RECORD DRAWING

P:\100602\4-CADD - DWG\4.2-1R\Drawings\Phase 4\100602 - Phase 4 - Plan and Profiles, Detour, Drainage, Erosion, Marking and Signage, Worping.dwg

THOUVENOT, WADE & MOERCHEN, INC.
 ENGINEERS • SURVEYORS • PLANNERS



- CORPORATE OFFICE**
 4940 OLD COLLINSVILLE RD.
 SHANSEA, ILLINOIS 62226
 TEL (618) 824-4488
 FAX (618) 824-6688
 corp@twm-inc.com
- WATERLOO OFFICE**
 113 SOUTH MAIN STREET
 WATERLOO, ILLINOIS 62298
 TEL (618) 939-5050
 FAX (618) 939-3938
 waterloo@twm-inc.com
- EDWARDSVILLE OFFICE**
 1015B CENTURY DRIVE
 EDWARDSVILLE, ILLINOIS 62025
 TEL (618) 656-4040
 FAX (618) 656-4343
 edwardsville@twm-inc.com
- ST. CHARLES OFFICE**
 400 N. 5TH STREET, SUITE 101
 ST. CHARLES, MISSOURI 63301
 TEL (636) 724-8300
 FAX (636) 724-8304
 stlouis@twm-inc.com

PROFESSIONAL REGISTRATIONS	LICENSE NO.
ILLINOIS PROFESSIONAL DESIGN FIRM	184-001220
PROFESSIONAL ENGINEERING CORP.	02-033370
PROFESSIONAL STRUCTURAL ENGR. CORP.	01-005202
ILLINOIS PROF. LAND SURVEYING CORP.	048-000228
MISSOURI PROFESSIONAL ENGR. CORP.	NC 001528
MISSOURI LAND SURVEYING CORP.	NC 003348

Signature: _____
 Date: _____
 Title: _____

STATEMENT OF RESPONSIBILITY
 I hereby confirm that the document herein to be authorized by my seal is restricted to this sheet, and I hereby disclaim any responsibility for all other drawings, specifications, estimates, reports or other documents or instruments relating to or intended to be utilized for any other part of the architectural, engineering or survey project.

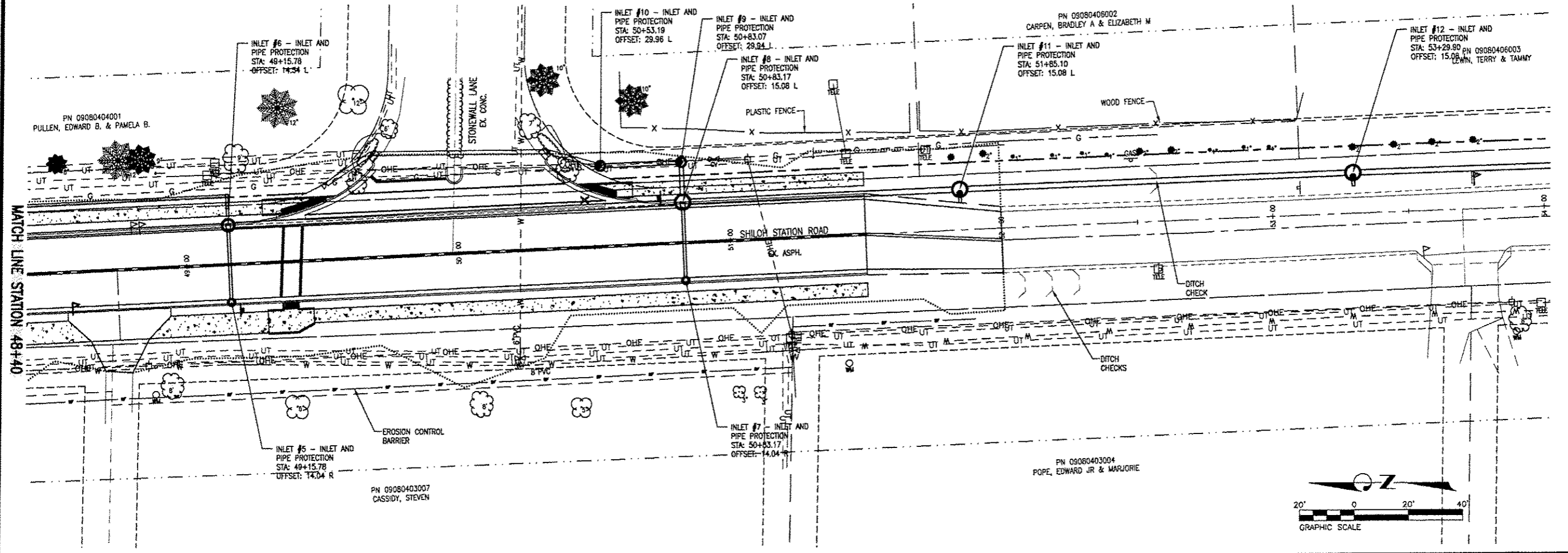
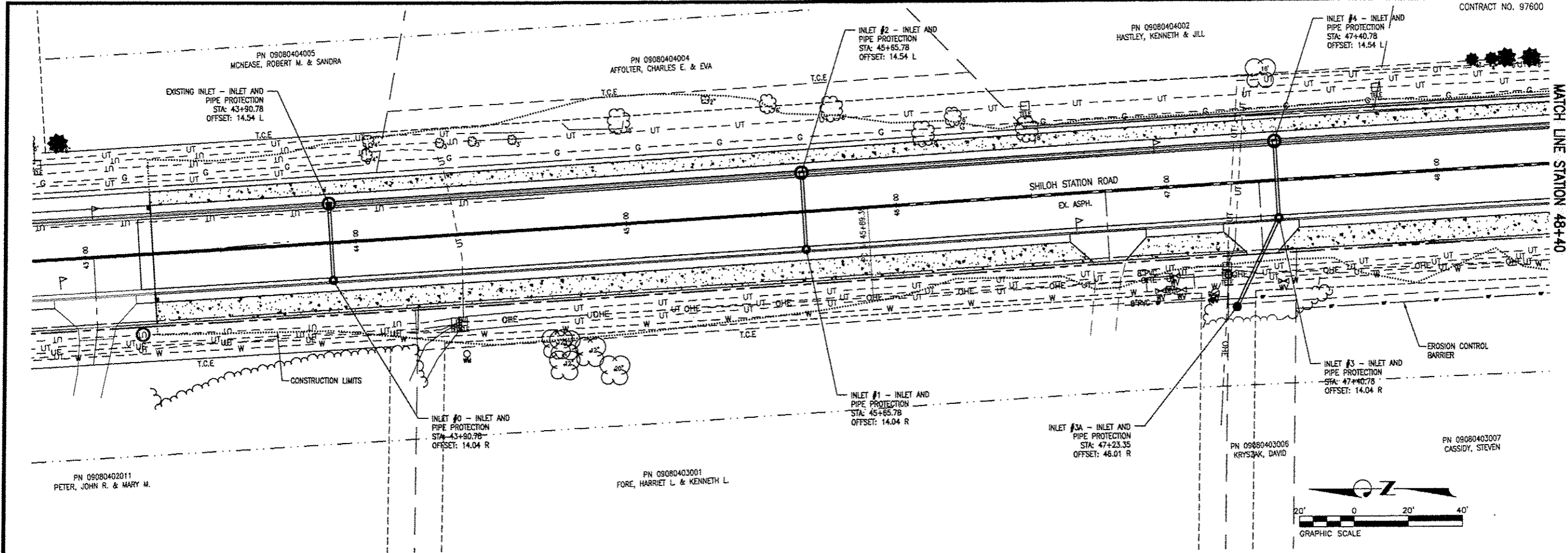
TITLE: SHILOH STATION ROAD PHASE 4
 EROSION CONTROL PLAN
 14-00011-04-PW

PROJECT: SHILOH STATION ROAD
 RECONSTRUCTION
 VILLAGE OF SHILOH
 ST. CLAIR COUNTY, ILLINOIS

REV.	DATE	DESCRIPTION

DRAWN BY: NTS	SHEET
DESIGNED BY: NTS	16
CHECKED BY:	OF 23 SHEETS
APPROVED BY:	PROJECT DESCRIPTION
PROJECT NUMBER: T01100602	

ISSUED FOR REVIEW ISSUED FOR BIDDING
 ISSUED FOR CONSTR. RECORD DRAWING



P:\100602\1-C000 - DWG\1,2-TR\Drawings\Phase 4 - Plan and Profiles\Delour, Drainage, Erosion, Marking and Signage, Worshiping.org

**THOUVENOT,
WADE &
MOERCHEN, INC.**
ENGINEERS ♦ SURVEYORS ♦ PLANNERS



- CORPORATE OFFICE**
4940 OLD COLLINSVILLE RD.
SWANSEA, ILLINOIS 62226
TEL (618) 624-4488
FAX (618) 624-6688
corp@twm-inc.com
- WATERLOO OFFICE**
113 SOUTH MAIN STREET
WATERLOO, ILLINOIS 62298
TEL (618) 939-5050
FAX (618) 939-3938
waterloo@twm-inc.com
- EDWARDSVILLE OFFICE**
10158 CENTURY DRIVE
EDWARDSVILLE, ILLINOIS 62025
TEL (618) 656-4040
FAX (618) 656-4343
edwardsville@twm-inc.com
- ST. CHARLES OFFICE**
400 N. 5TH STREET, SUITE 101
ST. CHARLES, MISSOURI 63301
TEL (636) 724-8300
FAX (636) 724-8304
stlouia@twm-inc.com

PROFESSIONAL REGISTRATIONS	LICENSE NO.
ILLINOIS PROFESSIONAL DESIGN FIRM	184-001220
PROFESSIONAL ENGINEERING CORP.	62-035370
PROFESSIONAL STRUCTURAL ENGR. CORP.	61-005202
ILLINOIS PROF. LAND SURVEYING CORP.	048-000029
MISSOURI PROFESSIONAL ENGR. CORP.	NC 001528
MISSOURI LAND SURVEYING CORP.	NC 000346

SEAL

Signature: _____
Signature Date: _____
Expiration Date: _____

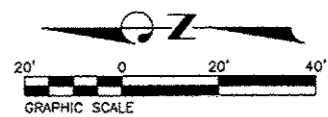
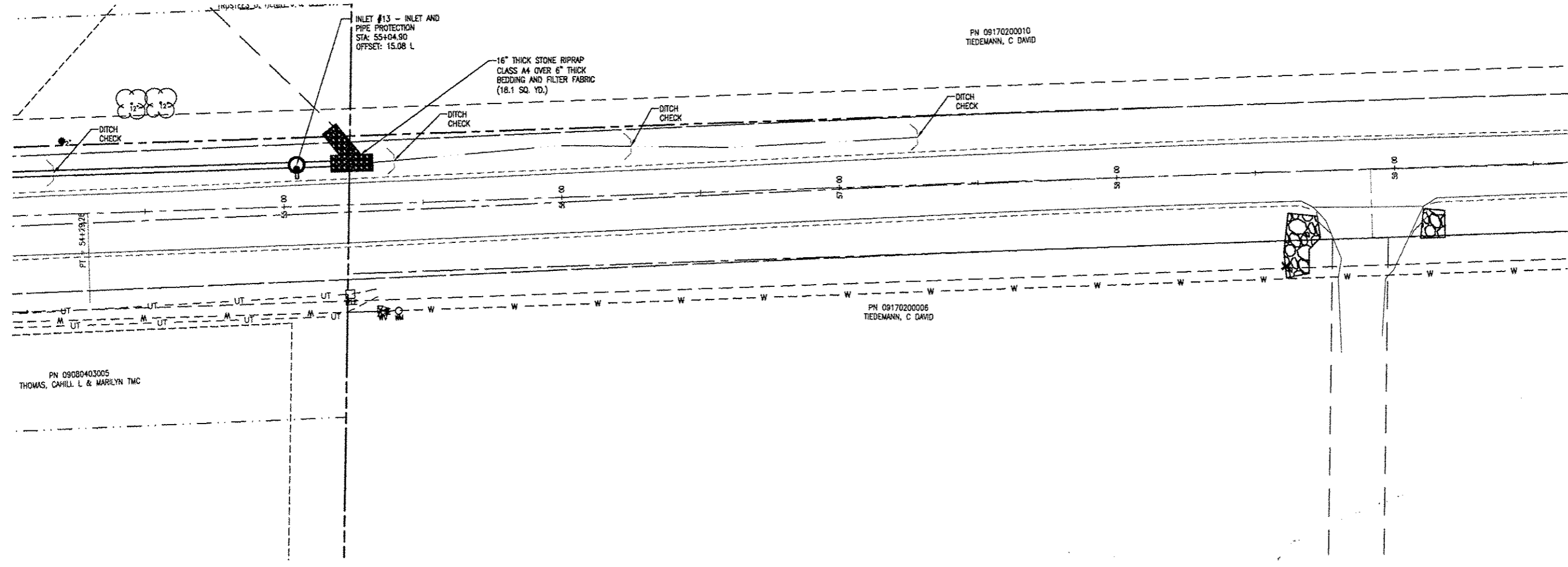
STATEMENT OF RESPONSIBILITY
I hereby confirm that the document herein to be authorized by my seal is restricted to this sheet, and I hereby disclaim any responsibility for all other drawings, specifications, estimates, reports or other documents or instruments relating to or intended to be utilized for any other part of the architectural, engineering or survey project.

TITLE: SHILOH STATION ROAD PHASE 4
EROSION CONTROL PLAN
14-00011-04-PW

PROJECT: SHILOH STATION ROAD
RECONSTRUCTION
VILLAGE OF SHILOH
ST. CLAIR COUNTY, ILLINOIS

REV.	DATE	DESCRIPTION
△		
△		
△		

DRAWN BY:	NTS	SHEET
DESIGNED BY:	NTS	17
CHECKED BY:		OF 23 SHEETS
APPROVED BY:		PROJECT DESCRIPTION
PROJECT NUMBER:	TO1100602	
<input type="checkbox"/> ISSUED FOR REVIEW <input type="checkbox"/> ISSUED FOR BIDDING <input type="checkbox"/> ISSUED FOR CONSTR. <input type="checkbox"/> RECORD DRAWING		



P:\100602\1-CADD - DWG\1-2-18\Drawings\Phase 4\100602 - Phase 4 - Plan and Profiles, Detail, Drainage, Erosion, Retention, Marking and Signage, Warnings.dwg

THOUVENOT, WADE & MOERCHEN, INC.
ENGINEERS • SURVEYORS • PLANNERS



- CORPORATE OFFICE
4940 OLD COLLINSVILLE RD.
SHWANSEA, ILLINOIS 62226
TEL (618) 624-4488
FAX (618) 624-6688
corp@twm-inc.com
- WATERLOO OFFICE
113 SOUTH MAIN STREET
WATERLOO, ILLINOIS 62298
TEL (618) 939-5050
FAX (618) 939-3938
waterloo@twm-inc.com
- EDWARDSVILLE OFFICE
10158 CENTURY DRIVE
EDWARDSVILLE, ILLINOIS 62025
TEL (618) 656-4040
FAX (618) 656-4343
edwardsville@twm-inc.com
- ST. CHARLES OFFICE
400 N. 5TH STREET, SUITE 101
ST. CHARLES, MISSOURI 63301
TEL (636) 724-8300
FAX (636) 724-8304
stlouis@twm-inc.com

PROFESSIONAL REGISTRATIONS	LICENSE NO.
ILLINOIS PROFESSIONAL DESIGN FIRM	104-001200
PROFESSIONAL ENGINEERING CORP.	62-055370
PROFESSIONAL STRUCTURAL ENGR. CORP.	81-005202
ILLINOIS PROF. LAND SURVEYING CORP.	048-000029
MISSOURI PROFESSIONAL ENGR. CORP.	MC 001526
MISSOURI LAND SURVEYING CORP.	MC 000346

SEAL

Signature: _____
Signature Date: _____
Expiration Date: _____

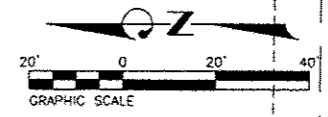
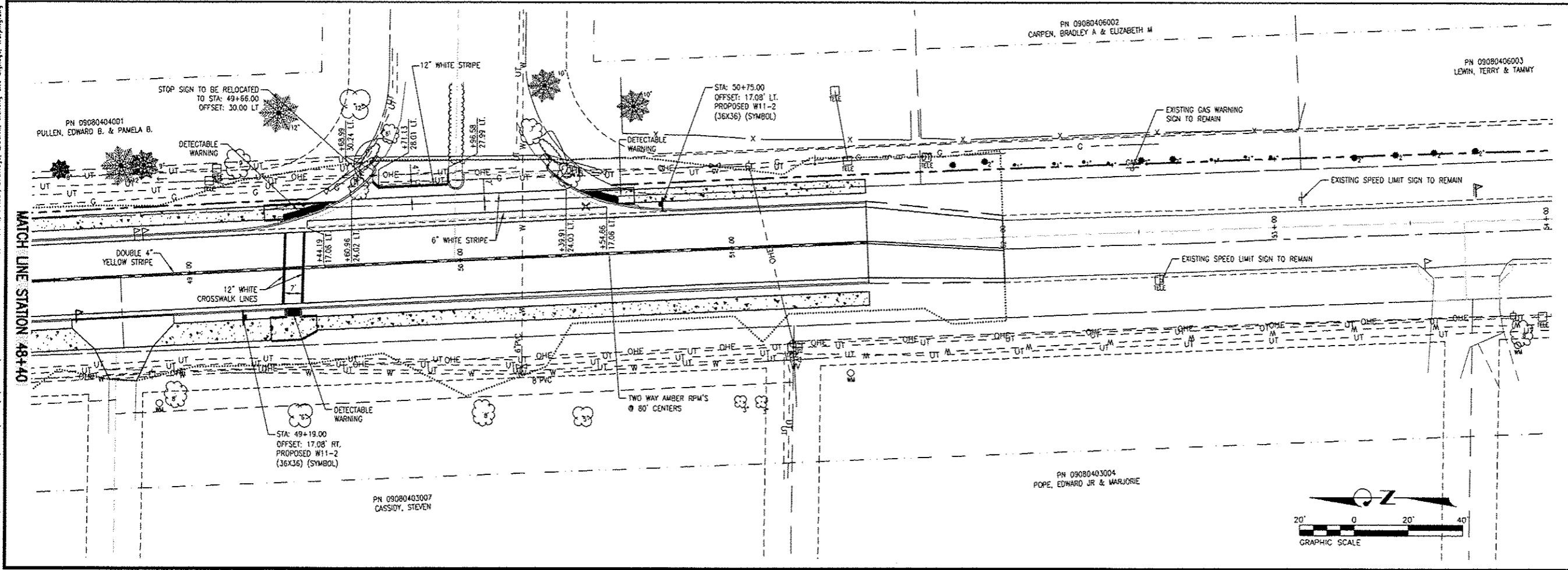
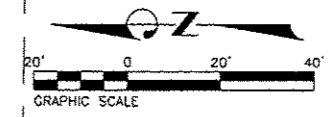
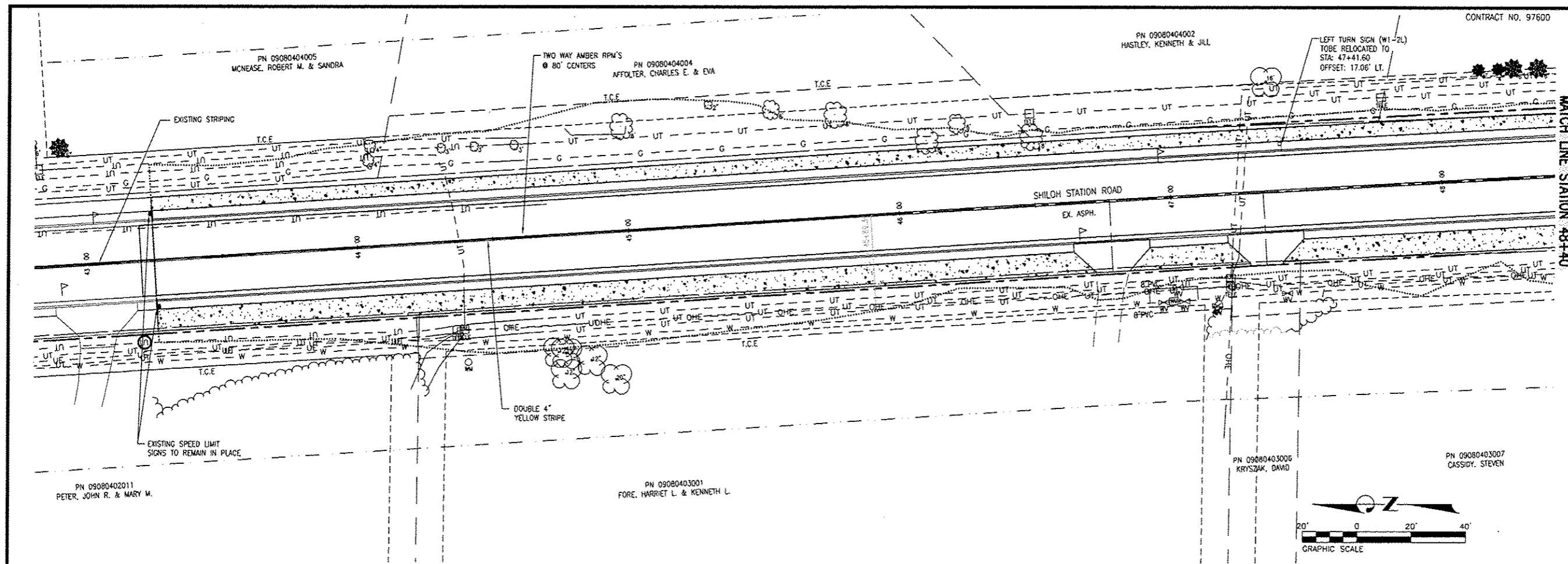
STATEMENT OF RESPONSIBILITY
I hereby confirm that the document herein to be authorized by my seal is restricted to this sheet, and I hereby disclaim any responsibility for all other drawings, specifications, estimates, reports or other documents or instruments relating to or intended to be utilized for any other part of the architectural, engineering or survey project.

TITLE: SHILOH STATION ROAD PHASE 4
PAY. MARKING AND SIGNAGE
14-00011-04-PW

PROJECT: SHILOH STATION ROAD
RECONSTRUCTION
VILLAGE OF SHILOH
ST. CLAIR COUNTY, ILLINOIS

REV.	DATE	DESCRIPTION

DRAWN BY: NTS	SHEET
DESIGNED BY: NTS	18
CHECKED BY:	OF 23 SHEETS
APPROVED BY:	PROJECT DESCRIPTION
PROJECT NUMBER: T01100602	
<input checked="" type="checkbox"/> ISSUED FOR REVIEW	<input type="checkbox"/> ISSUED FOR BIDDING
<input type="checkbox"/> ISSUED FOR CONSTR.	<input type="checkbox"/> RECORD DRAWING



P:\1006021\1-CADD - DMC\1-2-TR\Drawings\Phase 4\100602 - Phase 4 - Plan and Profiles, Detail, Brackets, Erection, Marking and Signage, Working.dwg



CORPORATE OFFICE
4940 OLD COLLINSVILLE RD.
SWANSEA, ILLINOIS 62226
TEL (618) 624-4488
FAX (618) 624-6688
corp@twm-inc.com

WATERLOO OFFICE
113 SOUTH MAIN STREET
WATERLOO, ILLINOIS 62298
TEL (618) 939-5050
FAX (618) 939-3938
waterloo@twm-inc.com

EDWARDSVILLE OFFICE
1015B CENTURY DRIVE
EDWARDSVILLE, ILLINOIS 62025
TEL (618) 656-4040
FAX (618) 656-4343
edwardsville@twm-inc.com

ST. CHARLES OFFICE
400 N. 5TH STREET, SUITE 101
ST. CHARLES, MISSOURI 63301
TEL (636) 724-8300
FAX (636) 724-8304
stlouis@twm-inc.com

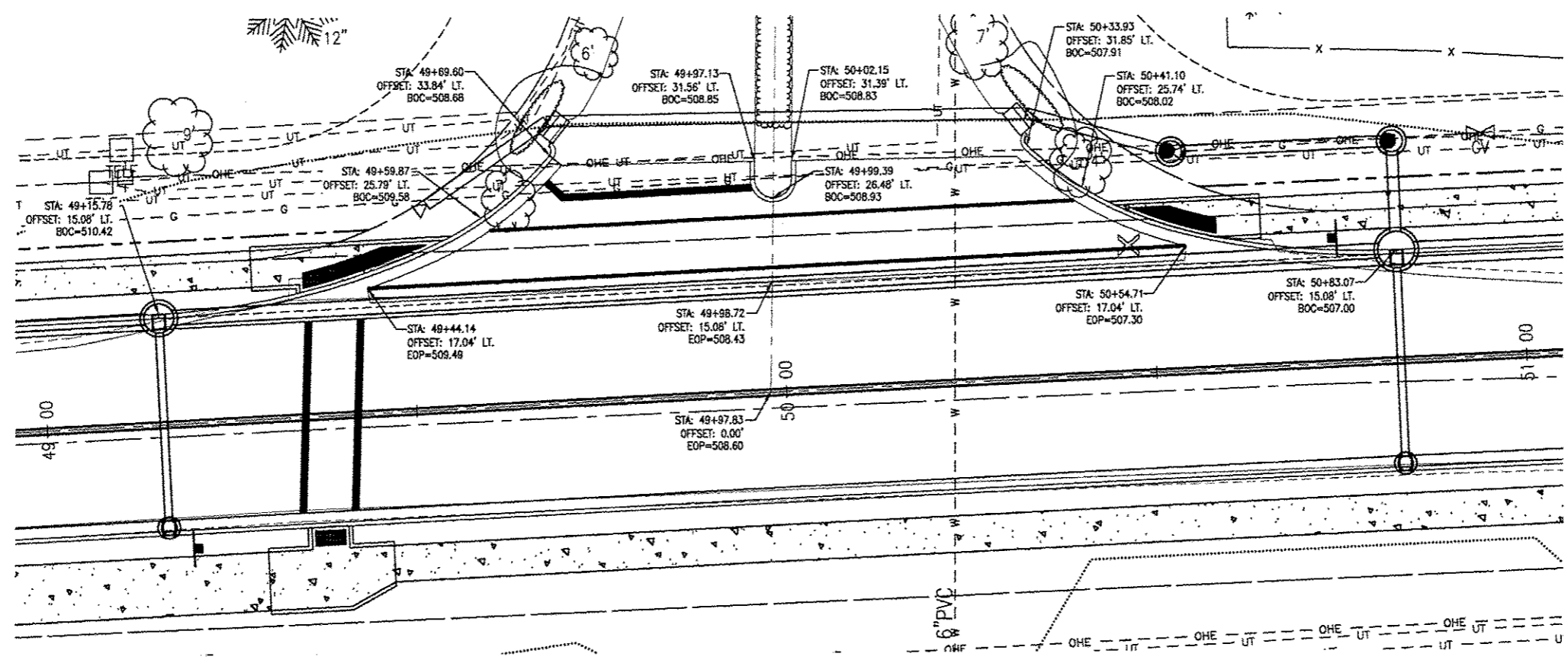
PROFESSIONAL REGISTRATIONS	LICENSE NO.
ILLINOIS PROFESSIONAL DESIGN FIRM	184-001220
PROFESSIONAL ENGINEERING CORP.	62-035376
PROFESSIONAL STRUCTURAL ENGR. CORP.	81-005302
ILLINOIS PROF. LAND SURVEYING CORP.	048-000629
MISSOURI PROFESSIONAL ENGR. CORP.	NC 001529
MISSOURI LAND SURVEYING CORP.	NC 000348

SEAL

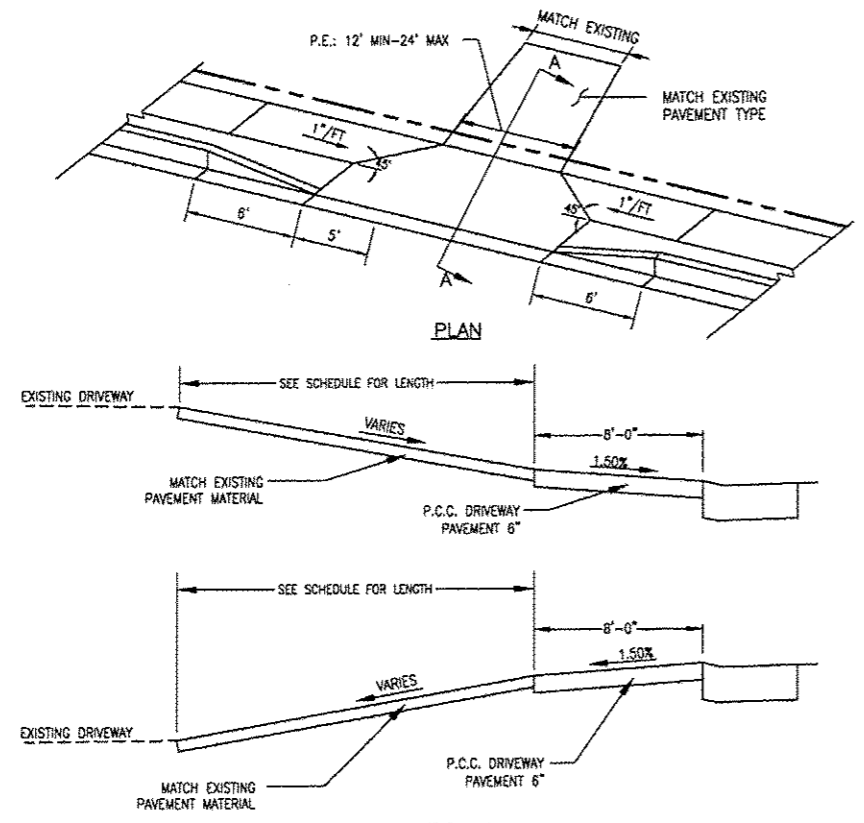
Signature: _____
Expiration Date: _____

STATEMENT OF RESPONSIBILITY
I hereby confirm that the document herein to be submitted by my seal is restricted to this sheet, and I hereby disclaim any responsibility for all other drawings, specifications, estimates, reports or other documents or instruments relating to or intended to be utilized for any other part of the architectural, engineering or survey project.

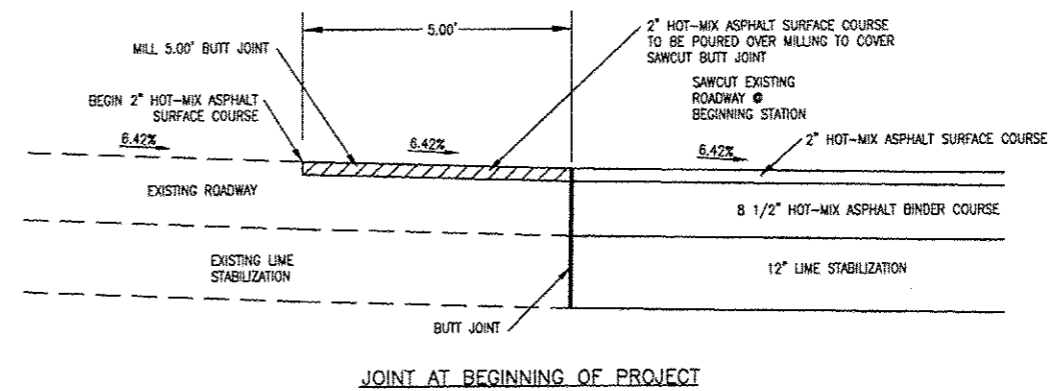
ENTRANCE DETAIL



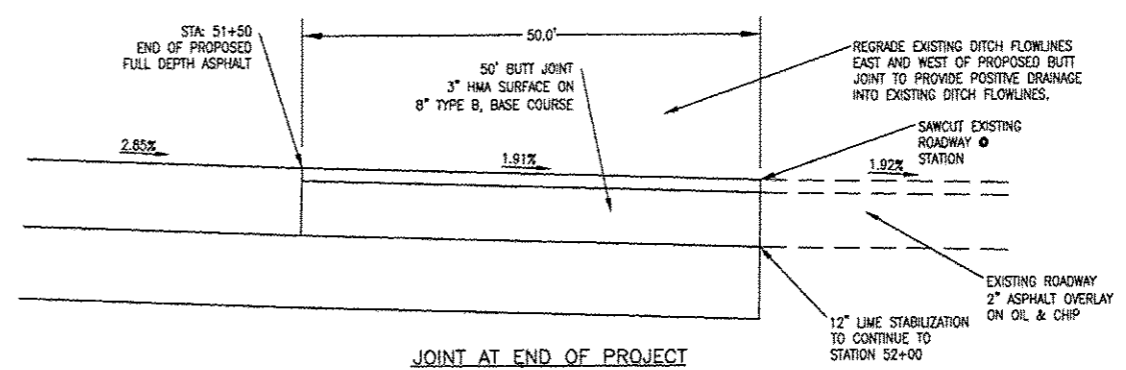
DETAIL OF PRIVATE ENTRANCES (8' APRON)



NOTES:
1. CONCRETE DRIVEWAY PAVEMENT MUST BE PLACED EVEN WITH THE BACK OF SIDEWALK
2. ALL ENTRANCES INTERSECT THE MAINLINE AT 90 DEGREES



JOINT AT BEGINNING OF PROJECT



JOINT AT END OF PROJECT

TITLE: SHILOH STATION ROAD PHASE 4 INTERSECTION AND MISC. DETAILS
PROJECT: SHILOH STATION ROAD RECONSTRUCTION VILLAGE OF SHILOH ST. CLAIR COUNTY, ILLINOIS

REV	DATE	DESCRIPTION

DRAWN BY: NTS	SHEET
DESIGNED BY: NTS	19
CHECKED BY:	OF 23 SHEETS
APPROVED BY:	PROJECT DESCRIPTION
PROJECT NUMBER: T01100602	ISSUED FOR REVIEW <input type="checkbox"/> ISSUED FOR BIDDING <input type="checkbox"/>
	ISSUED FOR CONSTR. <input type="checkbox"/> RECORD DRAWING <input type="checkbox"/>

P:\100602\4-CADD - DWG\4.2-TR\Drawings\Phase 4\100602 - Phase 4 - Plan and Profiles, Detour, Drainage, Erosion, Marking and Signage, Wearing.dwg



☑ **CORPORATE OFFICE**
4940 OLD COLLINSVILLE RD.
SWANSEA, ILLINOIS 62226
TEL (618) 624-4488
FAX (618) 624-6688
corp@twm-inc.com

☐ **WATERLOO OFFICE**
113 SOUTH MAIN STREET
WATERLOO, ILLINOIS 62298
TEL (618) 939-5050
FAX (618) 939-3938
waterloo@twm-inc.com

☐ **EDWARDSVILLE OFFICE**
1015B CENTURY DRIVE
EDWARDSVILLE, ILLINOIS 62025
TEL (618) 656-4040
FAX (618) 656-4343
edwardsville@twm-inc.com

☐ **ST. CHARLES OFFICE**
400 N. 5TH STREET, SUITE 101
ST. CHARLES, MISSOURI 63301
TEL (636) 724-8300
FAX (636) 724-8304
stcharles@twm-inc.com

PROFESSIONAL REGISTRATIONS	LICENSE NO.
ILLINOIS PROFESSIONAL DESIGN FIRM	184-01210
PROFESSIONAL ENGINEERING CORP.	02-03370
PROFESSIONAL STRUCTURAL ENGR. CORP.	61-005202
ILLINOIS PROF. LAND SURVEYING CORP.	048-000229
MISSOURI PROFESSIONAL ENGR. CORP.	MC 001528
MISSOURI LAND SURVEYING CORP.	MC 003346

SEAL

Signature: _____
Signature Date: _____
Expiration Date: _____

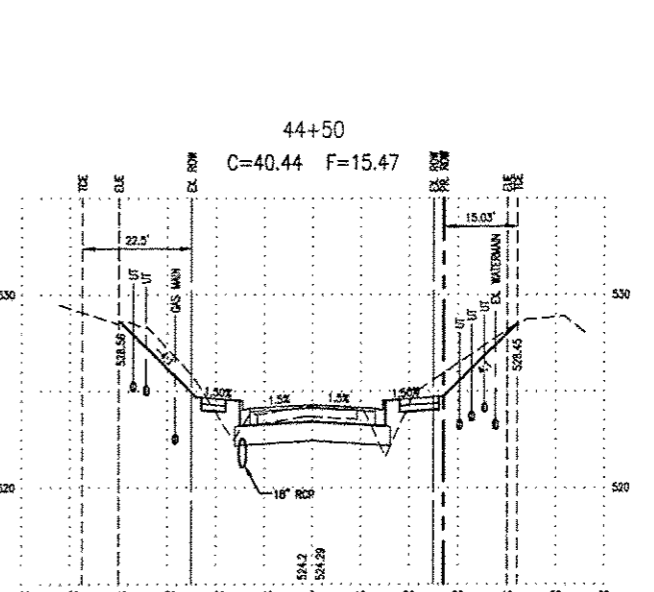
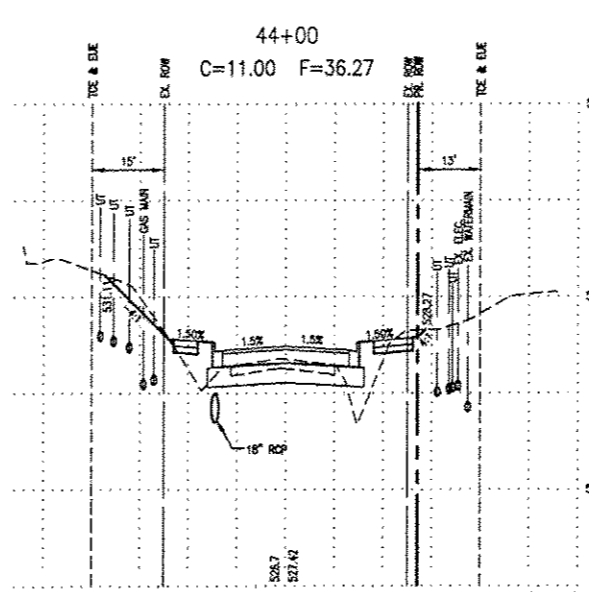
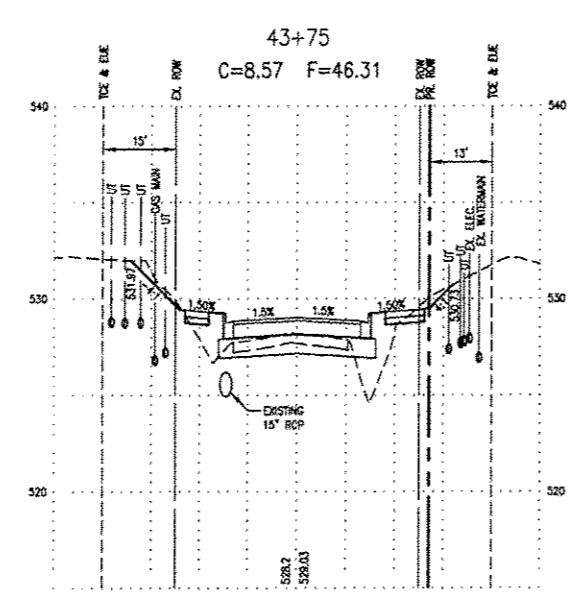
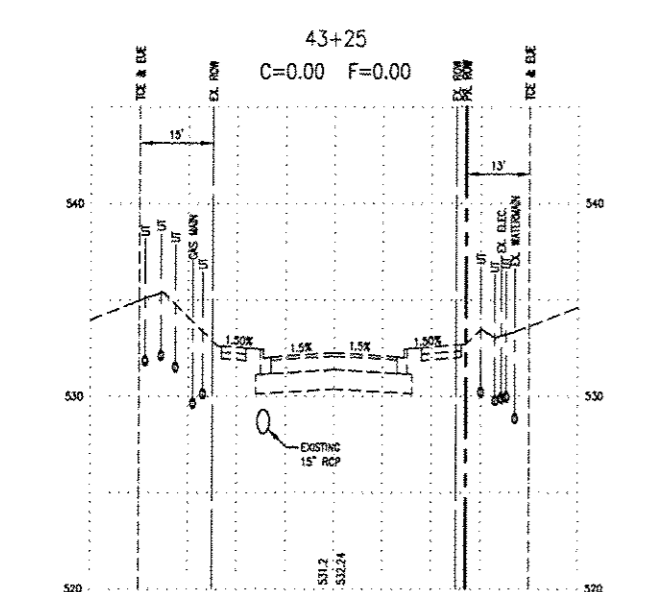
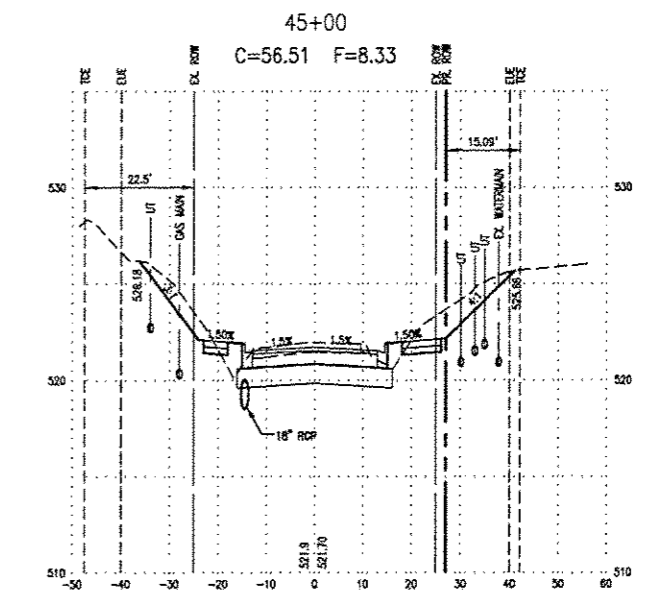
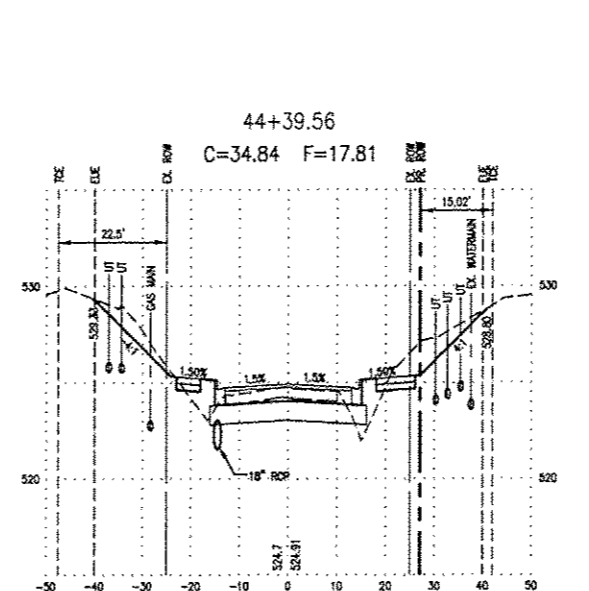
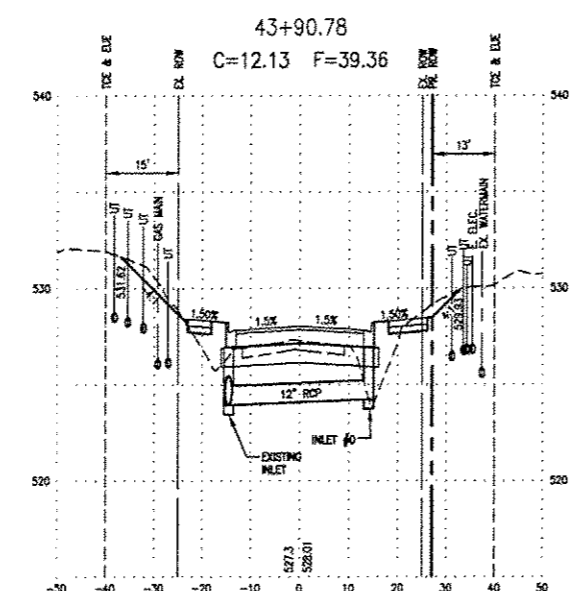
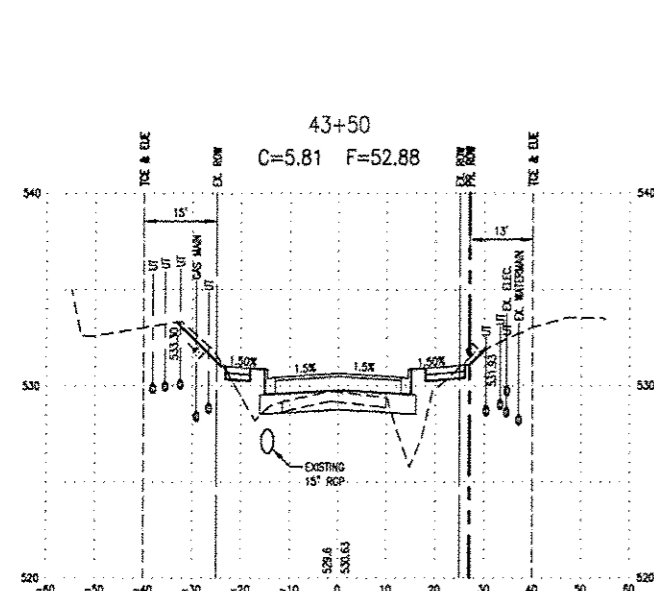
STATEMENT OF RESPONSIBILITY
I hereby confirm that the document herein to be authorized by my seal is restricted to this sheet, and I hereby disclaim any responsibility for all other drawings, specifications, estimates, reports or other documents or instruments relating to or intended to be utilized for any other part of the architectural, engineering or survey project.

TITLE: **SHILOH STATION ROAD PHASE 4 CROSS SECTIONS 14-00011-04-PW**

PROJECT: **SHILOH STATION ROAD RECONSTRUCTION VILLAGE OF SHILOH ST. CLAIR COUNTY, ILLINOIS**

REV	DATE	DESCRIPTION

DRAWN BY: NTS	SHEET 20
DESIGNED BY: NTS	OF 23 SHEETS
CHECKED BY:	PROJECT DESCRIPTION
APPROVED BY:	PROJECT NUMBER T01100602
ISSUED FOR REVIEW	ISSUED FOR BIDDING
ISSUED FOR CONSTR.	RECORD DRAWING



LEGEND

- EX. ROW = EXISTING RIGHT OF WAY
- PR. ROW = PROPOSED RIGHT OF WAY
- EX. ELEC = EXISTING UTILITY EASEMENT
- TCE = TEMPORARY CONSTRUCTION EASEMENT
- UT = UNDERGROUND TELEPHONE
- EX. ELEC = UNDERGROUND ELECTRIC
- GAS MAIN = UNDERGROUND GAS MAIN
- EX. WATERMAIN = UNDERGROUND WATERMAIN

NOTES:

- ALL STORM SEWER SHOWN IS PROPOSED
- ALL OTHER UTILITIES SHOWN ARE EXISTING
- DEPTHS AND LOCATION OF EXISTING UTILITIES ARE APPROXIMATE.

SCALE
1.5 VERTICAL
1:20 HORIZONTAL

P:\100602\1-CAD - DWG\1.2-TR(Drawings)\Phase 4 - Plan and Profiles, Detour, Drainage, Erosion, Markings and Signage, Werpimg.dwg



✑ CORPORATE OFFICE
4940 OLD COLLINSVILLE RD.
SWANSEA, ILLINOIS 62226
TEL (618) 624-4488
FAX (618) 624-6688
corp@twm-inc.com

□ WATERLOO OFFICE
113 SOUTH MAIN STREET
WATERLOO, ILLINOIS 62298
TEL (618) 939-5050
FAX (618) 939-3938
waterloo@twm-inc.com

□ EDWARDSVILLE OFFICE
1015B CENTURY DRIVE
EDWARDSVILLE, ILLINOIS 62025
TEL (618) 656-4040
FAX (618) 656-4343
edwardsville@twm-inc.com

□ ST. CHARLES OFFICE
400 N. 5TH STREET, SUITE 101
ST. CHARLES, MISSOURI 63301
TEL (636) 724-8300
FAX (636) 724-8304
stlouia@twm-inc.com

PROFESSIONAL REGISTRATIONS	LICENSE NO.
ILLINOIS PROFESSIONAL DESIGN FIRM	184-001220
PROFESSIONAL ENGINEERING CORP.	62-053370
PROFESSIONAL STRUCTURAL ENGR. CORP.	61-005022
ILLINOIS PROF. LAND SURVEYING CORP.	048-000029
MISSOURI PROFESSIONAL ENGR. CORP.	NC 001528
MISSOURI LAND SURVEYING CORP.	NC 000346

SEAL

Signature: _____
Signature Date: _____
Expiration Date: _____

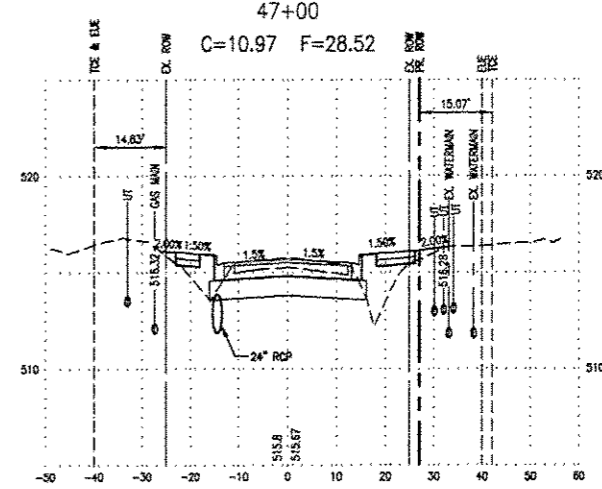
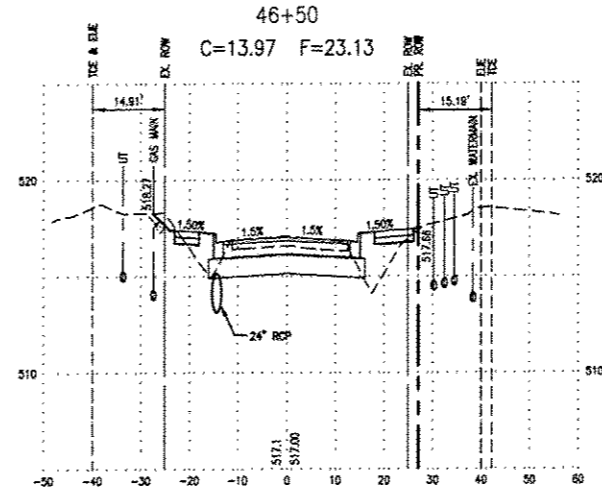
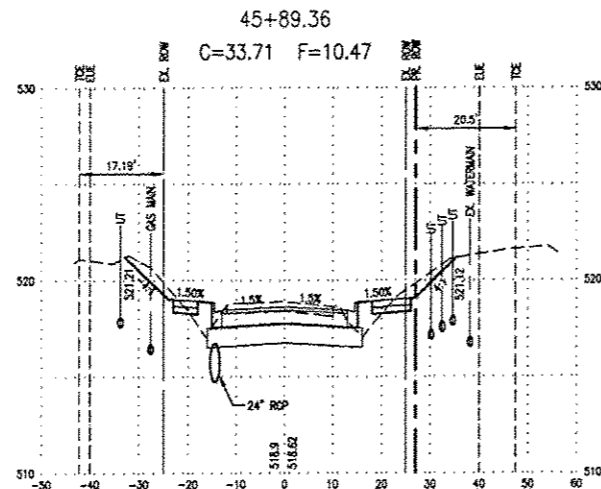
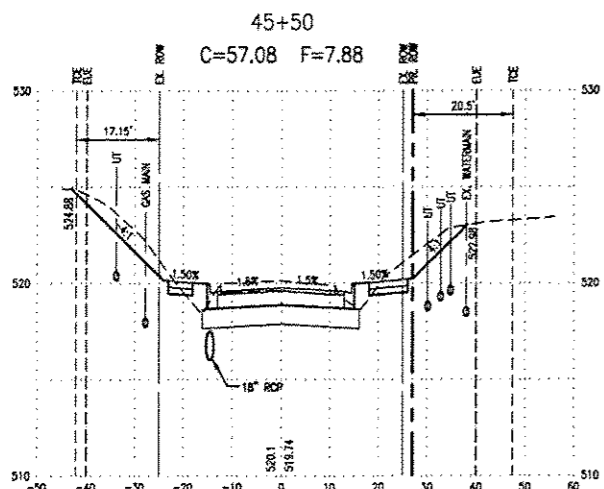
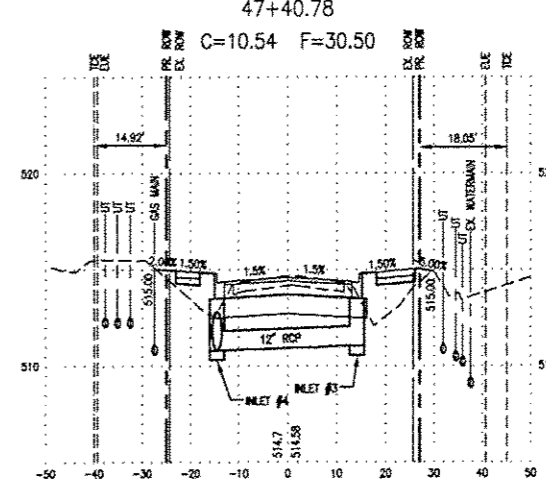
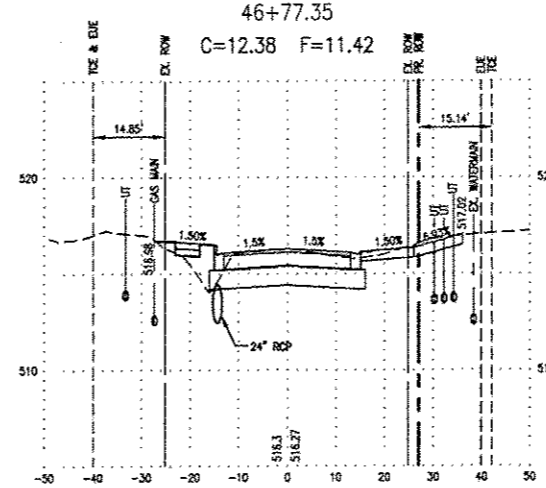
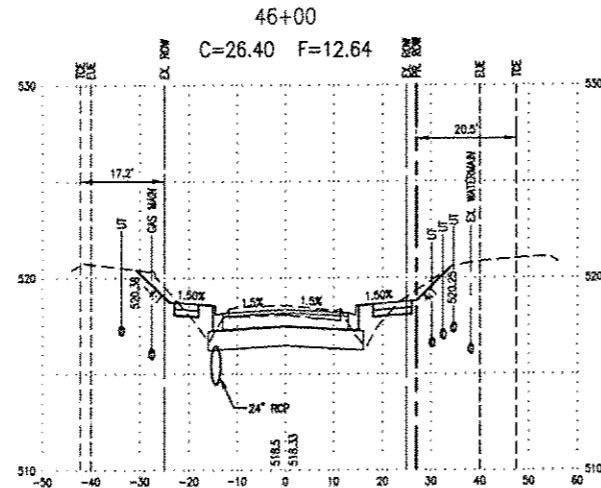
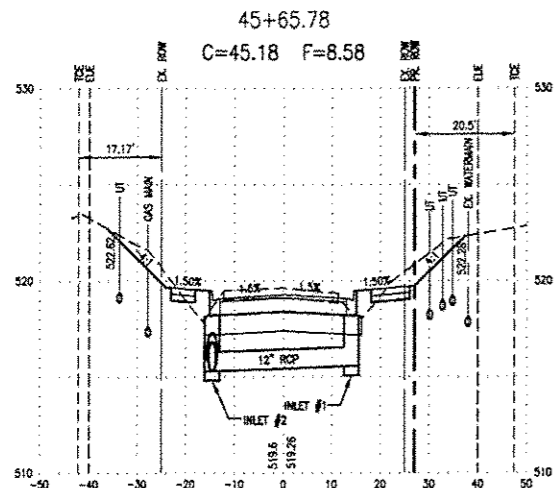
STATEMENT OF RESPONSIBILITY
I hereby confirm that the document herein to be authorized by my seal is restricted to this sheet, and I hereby disclaim any responsibility for all other drawings, specifications, estimates, reports or other documents or instruments relating to or intended to be utilized for any other part of the architectural, engineering or survey project.

TITLE: SHILOH STATION ROAD PHASE 4
CROSS SECTIONS
14-00011-04-PW

PROJECT: SHILOH STATION ROAD
RECONSTRUCTION
VILLAGE OF SHILOH
ST. CLAIR COUNTY, ILLINOIS

REV.	DATE	DESCRIPTION
△		
△		
△		

DRAWN BY:	NTS	SHEET
DESIGNED BY:	NTS	21
CHECKED BY:		OF 23 SHEETS
APPROVED BY:		PROJECT DESCRIPTION
PROJECT NUMBER:	T01100602	
<input checked="" type="checkbox"/> ISSUED FOR REVIEW	<input type="checkbox"/> ISSUED FOR BIDDING	
<input type="checkbox"/> ISSUED FOR CONSTR.	<input type="checkbox"/> RECORD DRAWING	



- LEGEND**
- EX. ROW = EXISTING RIGHT OF WAY
 - PR. ROW = PROPOSED RIGHT OF WAY
 - ELJE = EXISTING UTILITY EASEMENT
 - TCE = TEMPORARY CONSTRUCTION EASEMENT
 - UT = UNDERGROUND TELEPHONE
 - EX. ELEC = UNDERGROUND ELECTRIC
 - GAS MAIN = UNDERGROUND GAS MAIN
 - EX. WATERMAIN = UNDERGROUND WATERMAIN

SCALE
1:5 VERTICAL
1:20 HORIZONTAL

- NOTES:**
- ALL STORM SEWER SHOWN IS PROPOSED
 - ALL OTHER UTILITIES SHOWN ARE EXISTING
 - DEPTHS AND LOCATION OF EXISTING UTILITIES ARE APPROXIMATE

**THOUVENOT,
WADE &
MOERCHEN, INC.**
ENGINEERS ♦ SURVEYORS ♦ PLANNERS



CORPORATE OFFICE
4940 OLD COLLINSVILLE RD.
SWANSEA, ILLINOIS 62226
TEL (618) 624-4488
FAX (618) 624-6688
corp@twm-inc.com

WATERLOO OFFICE
113 SOUTH MAIN STREET
WATERLOO, ILLINOIS 62298
TEL (618) 939-5050
FAX (618) 939-3938
waterloo@twm-inc.com

EDWARDSVILLE OFFICE
1015B CENTURY DRIVE
EDWARDSVILLE, ILLINOIS 62025
TEL (618) 656-4040
FAX (618) 656-4343
edwardsville@twm-inc.com

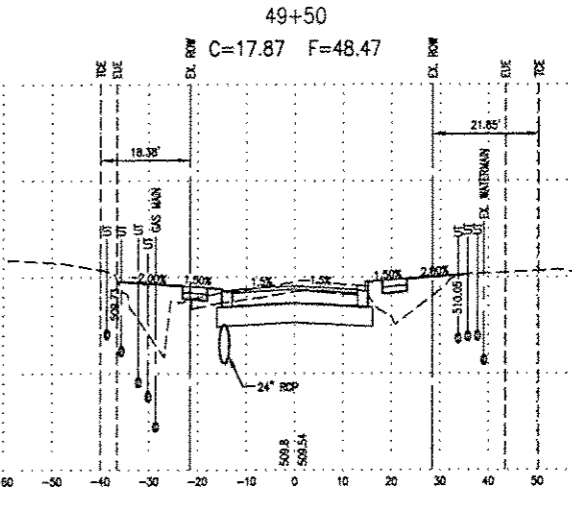
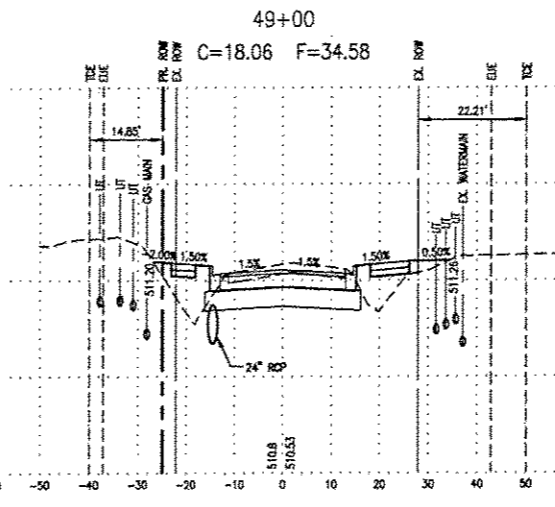
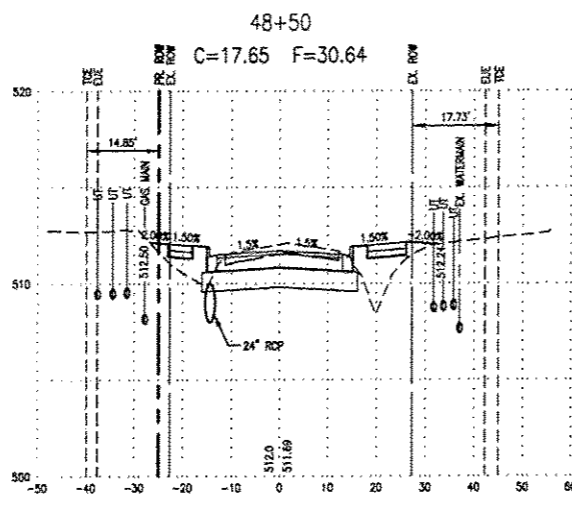
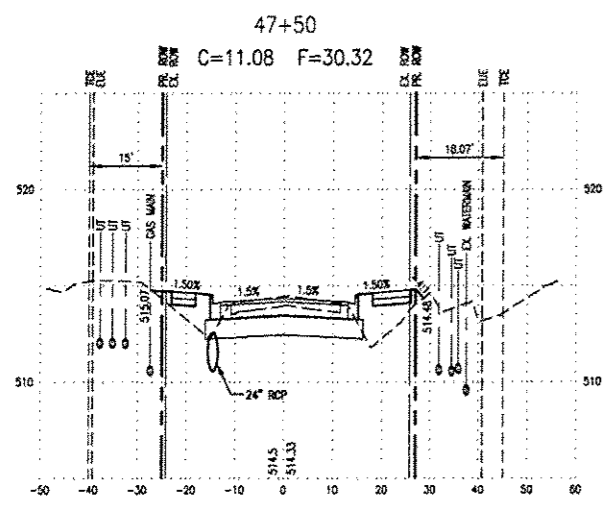
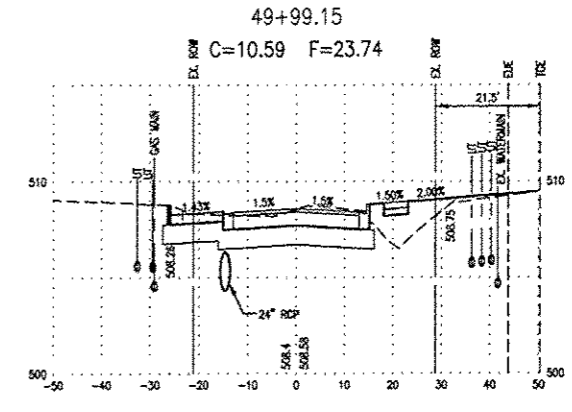
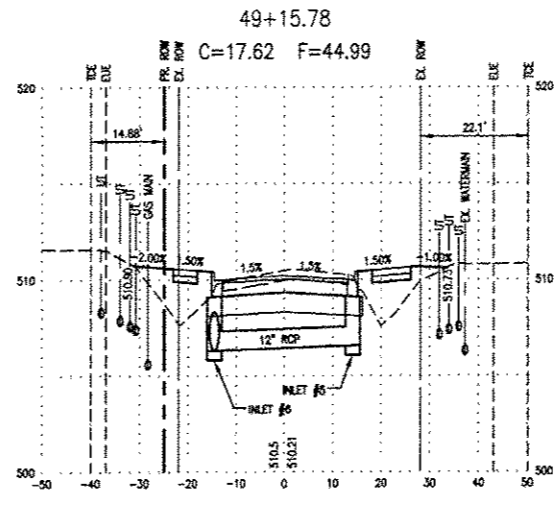
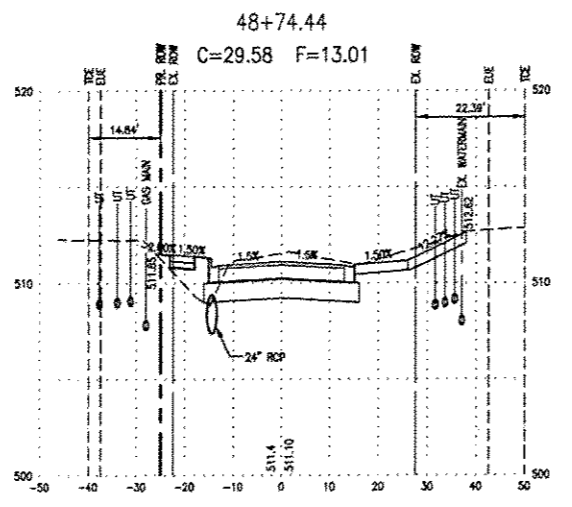
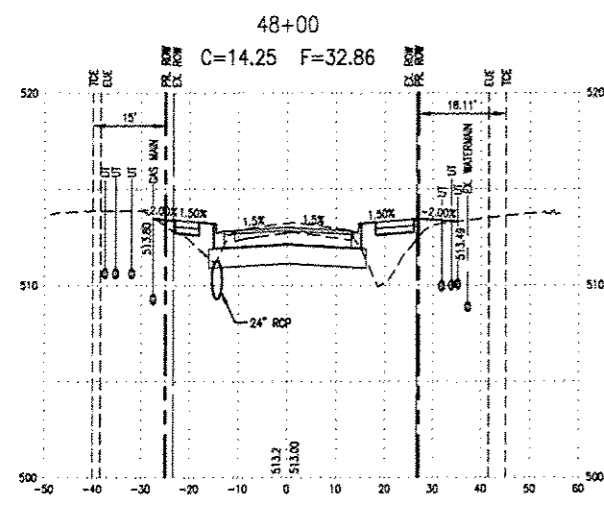
ST. CHARLES OFFICE
400 N. 5TH STREET, SUITE 101
ST. CHARLES, MISSOURI 63301
TEL (636) 724-8300
FAX (636) 724-8304
stlouis@twm-inc.com

PROFESSIONAL REGISTRATIONS	LICENSE NO.
ILLINOIS PROFESSIONAL DESIGN FIRM	104-00120
PROFESSIONAL ENGINEERING CORP.	02-03370
PROFESSIONAL STRUCTURAL ENGR. CORP.	01-005202
ILLINOIS PROF. LAND SURVEYING CORP.	048-000229
MISSOURI PROFESSIONAL ENGR. CORP.	HC 001528
MISSOURI LAND SURVEYING CORP.	HC 000348

SEAL

Signature: _____
Signature Date: _____
Expiration Date: _____

STATEMENT OF RESPONSIBILITY
I hereby confirm that the document herein to be authorized by my seal is restricted to this sheet, and I hereby disclaim any responsibility for all other drawings, specifications, estimates, reports or other documents or instruments relating to or intended to be utilized for any other part of the architectural, engineering or survey project.



LEGEND

- EX. ROW = EXISTING RIGHT OF WAY
- PR. ROW = PROPOSED RIGHT OF WAY
- EX. UTE = EXISTING UTILITY EASEMENT
- TCE = TEMPORARY CONSTRUCTION EASEMENT
- UT = UNDERGROUND TELEPHONE
- EX. ELEC = UNDERGROUND ELECTRIC
- GAS MAIN = UNDERGROUND GAS MAIN
- EX. WATERMAIN = UNDERGROUND WATER MAIN

SCALE
1:5 VERTICAL
1:20 HORIZONTAL

NOTES:

1. ALL STORM SEWER SHOWN IS PROPOSED
2. ALL OTHER UTILITIES SHOWN ARE EXISTING
3. DEPTHS AND LOCATION OF EXISTING UTILITIES ARE APPROXIMATE

TITLE: SHILOH STATION ROAD PHASE 4
CROSS SECTIONS
14-00011-04-PW

PROJECT: SHILOH STATION ROAD
RECONSTRUCTION
VILLAGE OF SHILOH
ST. CLAIR COUNTY, ILLINOIS

REV.	DATE	DESCRIPTION

DRAWN BY: NTS	SHEET
DESIGNED BY: NTS	22
CHECKED BY:	OF 23 SHEETS
APPROVED BY:	PROJECT DESCRIPTION
PROJECT NUMBER: T01100602	PROJECT NUMBER

- ISSUED FOR REVIEW
- ISSUED FOR BIDDING
- ISSUED FOR CONSTR.
- RECORD DRAWING



CORPORATE OFFICE
4940 OLD COLLINSVILLE RD.
SWANSEA, ILLINOIS 62226
TEL (618) 624-4488
FAX (618) 624-6888
corp@twm-inc.com

WATERLOO OFFICE
113 SOUTH MAIN STREET
WATERLOO, ILLINOIS 62298
TEL (618) 939-5050
FAX (618) 939-3938
waterloo@twm-inc.com

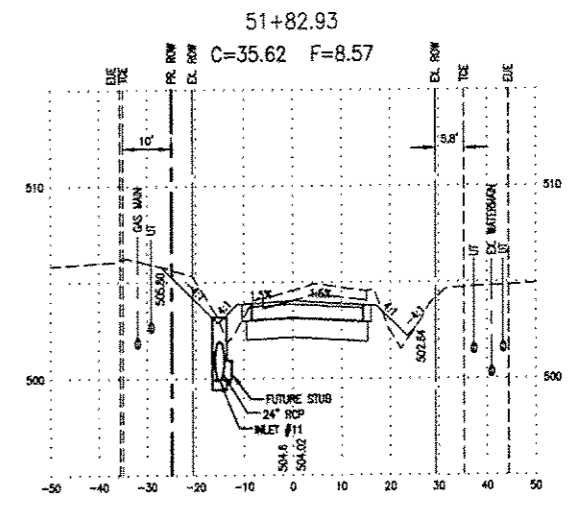
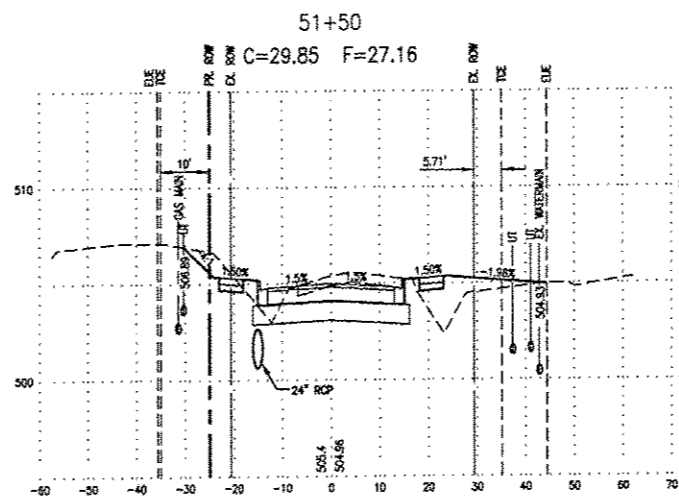
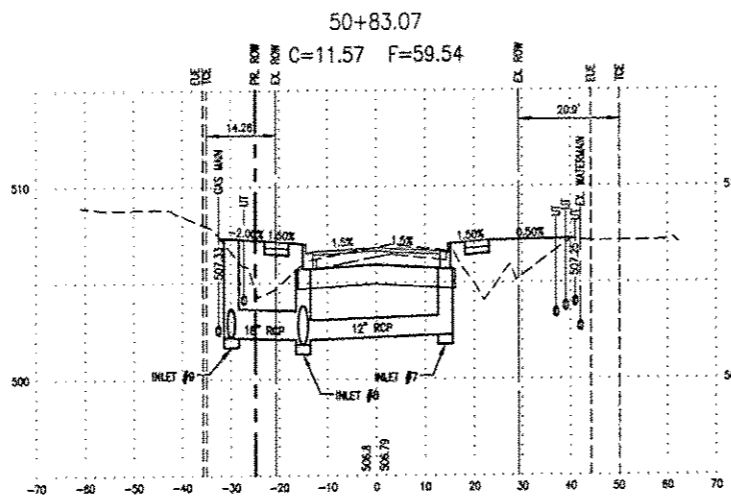
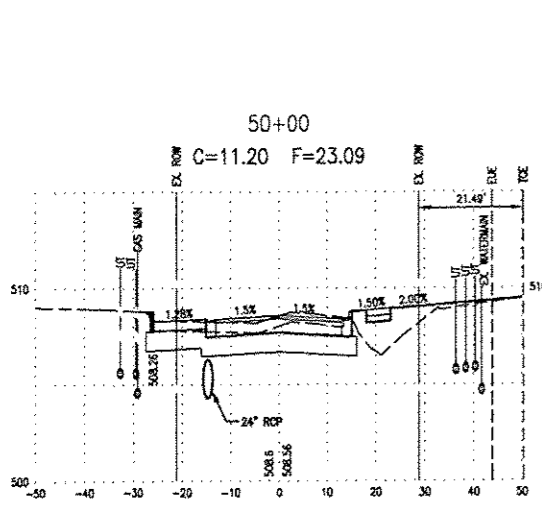
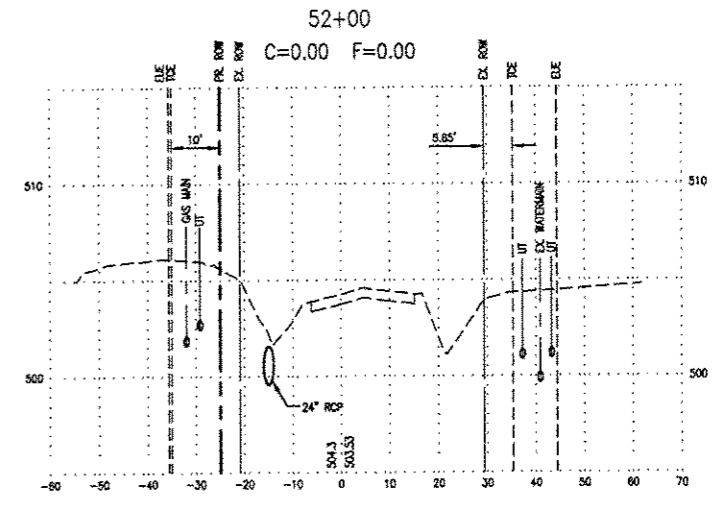
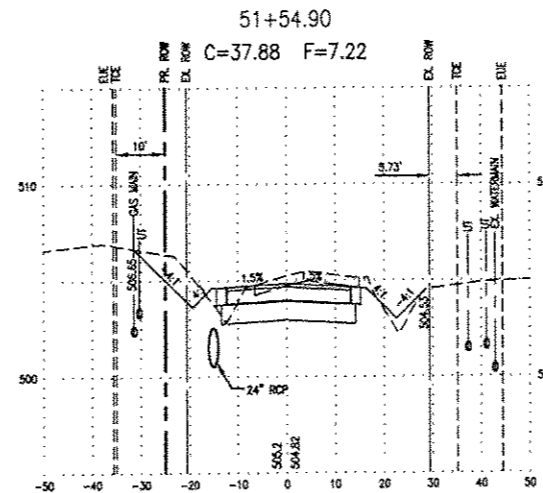
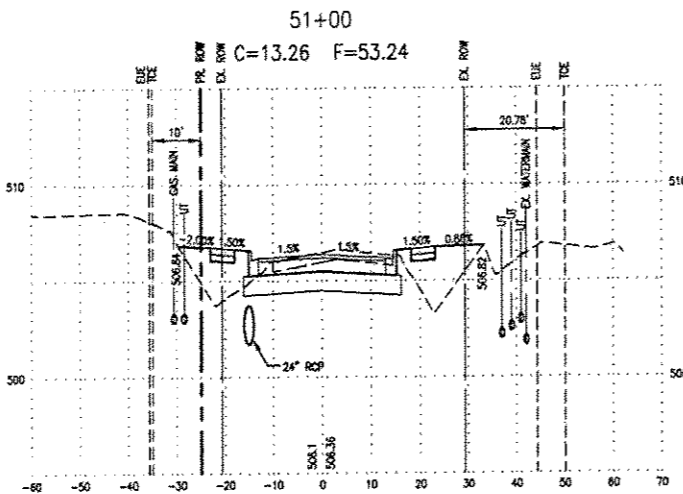
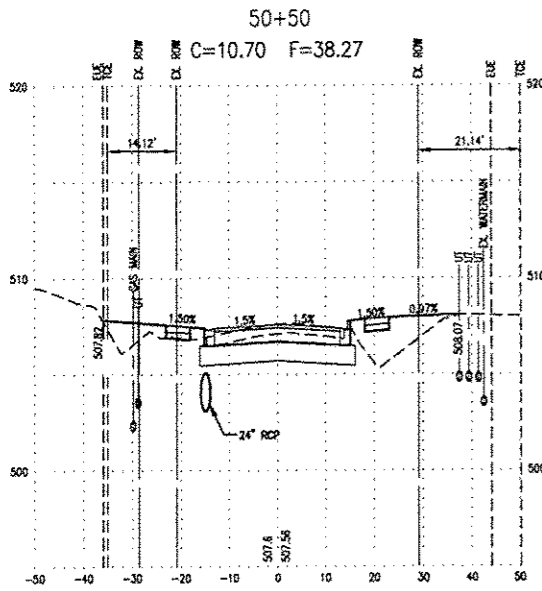
EDWARDSVILLE OFFICE
1015B CENTURY DRIVE
EDWARDSVILLE, ILLINOIS 62025
TEL (618) 656-4040
FAX (618) 656-4343
edwardsville@twm-inc.com

ST. CHARLES OFFICE
400 N. 5TH STREET, SUITE 101
ST. CHARLES, MISSOURI 63301
TEL (636) 724-8300
FAX (636) 724-8304
stloula@twm-inc.com

PROFESSIONAL REGISTRATIONS	LICENSE NO.
ILLINOIS PROFESSIONAL DESIGN FIRM	184-001220
PROFESSIONAL ENGINEERING CORP.	62-035370
PROFESSIONAL STRUCTURAL ENGR. CORP.	61-002002
ILLINOIS PROF. LAND SURVEYING CORP.	048-000029
MISSOURI PROFESSIONAL ENGR. CORP.	NC 081528
MISSOURI LAND SURVEYING CORP.	NC 090346

Signature: _____
Signature Date: _____
Expiration Date: _____

STATEMENT OF RESPONSIBILITY
I hereby confirm that the document herein to be authenticated by my seal is restricted to this sheet, and I hereby disclaim any responsibility for all other drawings, specifications, estimates, reports or other documents or instruments relating to or intended to be utilized for any other part of the architectural, engineering or survey project.



LEGEND

- EX. ROW = EXISTING RIGHT OF WAY
- PR. ROW = PROPOSED RIGHT OF WAY
- EX. UTY = EXISTING UTILITY EASEMENT
- TCY = TEMPORARY CONSTRUCTION EASEMENT
- UT = UNDERGROUND TELEPHONE
- EX. ELEC = UNDERGROUND ELECTRIC
- GAS MAIN = UNDERGROUND GAS MAIN
- EX. WATERMAIN = UNDERGROUND WATERMAIN

NOTES:

- ALL STORM SEWER SHOWN IS PROPOSED
- ALL OTHER UTILITIES SHOWN ARE EXISTING
- DEPTHS AND LOCATION OF EXISTING UTILITIES ARE APPROXIMATE

SCALE
1:5 VERTICAL
1:20 HORIZONTAL

TITLE: SHILOH STATION ROAD PHASE 4
CROSS SECTIONS
14-00011-04-PW

PROJECT: SHILOH STATION ROAD RECONSTRUCTION VILLAGE OF SHILOH ST. CLAIR COUNTY, ILLINOIS

REV	DATE	DESCRIPTION

DRAWN BY: _____	NTS	SHEET 23 OF 23 SHEETS
DESIGNED BY: _____	NTS	
CHECKED BY: _____		PROJECT DESCRIPTION
APPROVED BY: _____		
PROJECT NUMBER: T01100602		

ISSUED FOR REVIEW ISSUED FOR BIDDING
 ISSUED FOR CONSTR. RECORD DRAWING