

INSTRUCTIONS

ABOUT IDOT PROPOSALS: All proposals are potential bidding proposals. Each proposal contains all certifications and affidavits, a proposal signature sheet and a proposal bid bond.

PREQUALIFICATION

Any contractor who desires to become pre-qualified to bid on work advertised by IDOT must submit the properly completed pre-qualification forms to the Bureau of Construction no later than 4:30 p.m. prevailing time twenty-one days prior to the letting of interest. This pre-qualification requirement applies to first time contractors, contractors renewing expired ratings, contractors maintaining continuous pre-qualification or contractors requesting revised ratings. To be eligible to bid, existing pre-qualification ratings must be effective through the date of the letting.

WHO CAN BID?

Bids will be accepted from only those companies that request and receive written Authorization to Bid from IDOT's Central Bureau of Construction.

REQUESTS FOR AUTHORIZATION TO BID

Contractors wanting to bid on items included in a particular letting must submit the properly completed "Request for Authorization to Bid/or Not For Bid Status" (BDE 124) and the ORIGINAL "Affidavit of Availability: (BC 57) to the proper office no later than 4:30 p.m. prevailing time, three (3) days prior to the letting date.

WHAT CONSTITUTES WRITTEN AUTHORIZATION TO BID?: When a prospective prime bidder submits a "Request for Authorization to Bid or Not for Bid Status" (BDE 124) he/she must indicate at that time which items are being requested For Bidding purposes. Only those items requested For Bidding will be analyzed. After the request has been analyzed, the bidder will be issued an **Authorization to Bid or Not for Bid Report**, approved by the Central Bureau of Construction and the Chief Procurement Officer that indicates which items have been approved For Bidding. If **Authorization to Bid** cannot be approved, the **Authorization to Bid or Not for Bid Report** will indicate the reason for denial.

ABOUT AUTHORIZATION TO BID: Firms that have not received an Authorization to Bid or Not For Bid Report within a reasonable time of complete and correct original document submittal should contact the department as to the status. Firms unsure as to authorization status should call the Prequalification Section of the Bureau of Construction at the number listed at the end of these instructions. These documents must be received three days before the letting date.

ADDENDA AND REVISIONS: It is the bidder's responsibility to determine which, if any, addenda or revisions pertain to any project they may be bidding. Failure to incorporate all relevant addenda or revisions may cause the bid to be declared unacceptable.

Each addendum or revision will be included with the Electronic Plans and Proposals. Addenda and revisions will also be placed on the Addendum/Revision Checklist and each subscription service subscriber will be notified by e-mail of each addendum and revision issued.

The Internet is the Department's primary way of doing business. The subscription server e-mails are an added courtesy the Department provides. It is suggested that bidders check IDOT's website at <http://www.idot.illinois.gov/doing-business/procurements/construction-services/construction-bulletins/transportation-bulletin/index> before submitting final bid information.

IDOT IS NOT RESPONSIBLE FOR ANY E-MAIL FAILURES.

Addenda questions may be directed to the Contracts Office at (217)782-7806 or DOT.D&Econtracts@illinois.gov.

Technical questions about downloading these files may be directed to Tim Garman at (217)524-1624 or Timothy.Garman@illinois.gov.

BID SUBMITTAL GUIDELINES AND CHECKLIST

- All pages should be single sided.
- Use the Cover Page that is provided in the Bid Proposal (posted on the IDOT Web Site) as the first page of your submitted bid. It has the Item number in large bold type in the upper left-hand corner of the page.
- Do not use report covers, presentation folders or special bindings and do not staple multiple times on left side like a book. Use only 1 staple in the upper left hand corner.
- Do not include any certificates of eligibility, your authorization to bid, Addendum Letters or affidavit of availability.
- Do not include the Subcontractor Documentation with your bid (pages 30-38).
- Use the envelope cover sheet (provided with the proposal) as the cover for the proposal envelope.
- Do not rely on overnight services to deliver your proposal prior to 10 AM on letting day. It will not be read if it is delivered after 10 AM.
- Do not submit your Substance Abuse Prevention Program (SAPP) with your bid. If you are awarded the contract this form is to be submitted to the Division Construction Engineer at the pre-construction conference.

BID SUBMITTAL CHECKLIST

Cover page (the sheet that has the item number on it) – This should be the first page of your proposal, **followed by your bid (the Pay Items)**. If you are using special software or CBID to generate your schedule of prices, do not include the blank schedule of prices that came with the proposal package.

Page 4 (Item 9) - Check “YES” if you will use a subcontractor(s) with an annual value over \$50,000. Include the subcontractor(s) name, address, general type of work to be performed and the dollar amount. If you will use subcontractor(s) but are uncertain who or the dollar amount; check “YES” but leave the lines blank.

After Page 4 – Insert the following documents: Cost Adjustments for Steel, Bituminous, and Fuel (if applicable) and the Contractor Letter of Assent (if applicable). The general rule should be, if you don’t know where it goes, put it after page 4.

Page 10 (Paragraph J) - Check “YES” or “NO” whether your company has any business in Iran.

Page 10 (Paragraph K) – (Not applicable to federally funded projects) List the name of the apprenticeship and training program sponsor holding the certificate of registration from the US Department of Labor. If no applicable program exists, please indicate the work/job category. **Your bid will not be read if this is not completed.** Do not include certificates with your bid. Keep the certificates in your office in case they are requested by IDOT.

Page 11 (Paragraph L) – A copy of your State Board of Elections certificate of registration is no longer required with your bid.

Page 11 (Paragraph M) – Indicate if your company has hired a lobbyist in connection with the job for which you are submitting the bid proposal.

Page 12 (Paragraph C) - This is a work sheet to determine if a completed Form A is required. It is not part of the form and you do not need to make copies for each completed Form A.

Pages 14-17 (Form A) - One Form A (4 pages) is required for each applicable person in your company. Copies of the Forms can be used and only need to be changed when the financial information changes. The certification signature and date must be original for each letting. **Do not staple the forms together.** If you answered “NO” to all of the questions in Paragraph C (page 12), complete the first section (page 14) with your company information and then sign and date the Not Applicable statement on page 17.

Page 18 (Form B) - If you check “YES” to having other current or pending contracts it is acceptable to use the phrase, “See Affidavit of Availability on file”. **Ownership Certification** (at the bottom of the page) – Check N/A if the Form A you submitted accounts for 100 percent of the company ownership. Check YES if any percentage of ownership falls outside of the parameters that require reporting on the Form A. Checking NO indicates that the Form A you submitted is not correct and you will be required to submit a revised Form A.

Pages 20-21 (Workforce Projection) - Be sure to include the Duration of the Project. It is acceptable to use the phrase “Per Contract Specifications”.

Proposal Bid Bond – (After the Proposal Signature Page) Submit your proposal bid bond (if applicable) using the current Bid Bond Form provided in the proposal package. The Power of Attorney page should be stapled to the Bid Bond. If you are using an electronic bond, include your bid bond number on the form and attach the Proof of Insurance printed from the Surety 2000 Web Site.

Disadvantaged Business Utilization Plan and/or Good Faith Effort - The last item in your bid should be the DBE Utilization Plan (SBE 2026), followed by the DBE Participation Statement (SBE 2025) and supporting paperwork. If you have documentation for a Good Faith Effort, it should follow the SBE Forms.

12A

RETURN WITH BID

Proposal Submitted By	
Name	
Address	
City/State	9 Digit Zip Code
Telephone No.	Fax No.
Federal Employer Identification No. (FEIN)	
Email Address	

Letting July 31, 2015

NOTICE TO PROSPECTIVE BIDDERS

This proposal can be used for bidding purposes by only those companies that request and receive written AUTHORIZATION TO BID from IDOT's Central Bureau of Construction. BIDDERS NEED NOT RETURN THE ENTIRE PROPOSAL

Notice to Bidders, Specifications, Proposal, Contract and Contract Bond



Illinois Department of Transportation
DIVISION OF AERONAUTICS

Contract No. QU020
Quad City International Airport
Moline, Illinois
Rock Island County
Illinois Project No. MLI-4482
SBG Project No. 3-17-0068-XX

Note: A mandatory Pre-Bid Conference will be held July 8, 2015, At 10:00 AM, at the Airport Main Conference Room in the Terminal Building.

For engineering information, contact Sean Smith, P.E. of Crawford, Murphy & Tilly, Inc. at (312) 357-2069.

FAA rules prohibit the use of escalation clauses for materials. Therefore, the Division of Aeronautics cannot offer any material cost adjustment provisions for projects that utilize Federal funds.

PLEASE MARK THE APPROPRIATE BOX BELOW:

- A Bid Bond is included.
- A Cashier's Check or a Certified Check is included.
- An Annual Bid Bond is included or is on file with IDOT



**Illinois Department
of Transportation**

PROPOSAL

TO THE DEPARTMENT OF TRANSPORTATION

1. Proposal of _____

Taxpayer Identification Number (Mandatory) _____

For the improvement identified and advertised for bids in the Invitation for Bids as:

**Contract No. QU020
Quad City International Airport
Moline, Illinois
Rock Island County
Illinois Project No. MLI-4482
SBG Project No. 3-17-0068-XX**

Construct Taxiway K Connector (K12)

2. The undersigned bidder will furnish all labor, material and equipment to complete the above described project in a good workmanlike manner as provided in the contract documents provided by the Department of Transportation. This proposal will become part of the contract and the terms and conditions contained in the contract documents shall govern performance and payments.

3. **ASSURANCE OF EXAMINATION AND INSPECTION/WAIVER.** The undersigned bidder further declares that he/she has carefully examined the proposal, plans, specifications, addenda, form of contract and contract bond, and special provisions, and that he/she has inspected in detail the site of the proposed work, and that he/she has familiarized themselves with all of the local conditions affecting the contract and the detailed requirements of construction, and understands that in making this bid proposal he/she waives all right to plead any misunderstanding regarding the same.
4. **EXECUTION OF CONTRACT AND CONTRACT BOND.** The undersigned bidder further agrees to execute a contract for this work and present the same to the department within fifteen (15) days after the contract has been mailed to him/her. The undersigned further agrees that he/she and his/her surety will execute and present within fifteen (15) days after the contract has been mailed to him/her contract bond satisfactory to and in the form prescribed by the Department of Transportation, in the penal sum of the full amount of the contract, or as specified in the special provisions, guaranteeing the faithful performance of the work in accordance with the terms of the contract.
5. **PROPOSAL GUARANTY.** Accompanying this proposal is either a bid bond on the department form, executed by a corporate surety company satisfactory to the department, or a proposal guaranty check consisting of a bank cashier's check or a properly certified check for not less than 5 per cent of the amount bid or for the amount specified in the following schedule:

<u>Amount of Bid</u>		<u>Proposal Guaranty</u>	<u>Amount of Bid</u>		<u>Proposal Guaranty</u>
Up to	\$5,000	\$150	\$2,000,000	to	\$3,000,000
\$5,000	to	\$300	\$3,000,000	to	\$5,000,000
\$10,000	to	\$1,000	\$5,000,000	to	\$7,500,000
\$50,000	to	\$3,000	\$7,500,000	to	\$10,000,000
\$100,000	to	\$5,000	\$10,000,000	to	\$15,000,000
\$150,000	to	\$7,500	\$15,000,000	to	\$20,000,000
\$250,000	to	\$12,500	\$20,000,000	to	\$25,000,000
\$500,000	to	\$25,000	\$25,000,000	to	\$30,000,000
\$1,000,000	to	\$50,000	\$30,000,000	to	\$35,000,000
\$1,500,000	to	\$75,000	over		\$35,000,000

Bank cashier's checks or properly certified checks accompanying proposals will be made payable to the Treasurer, State of Illinois.

If a combination bid is submitted, the proposal guaranties which accompany the individual proposals making up the combination will be considered as also covering the combination bid.

The amount of the proposal guaranty check is _____ \$(_____). If this proposal is accepted and the undersigned will fail to execute contract bond as required herein, it is hereby agreed that the amount of the proposal guaranty will become the property of the State of Illinois, and shall be considered as payment of damages due to delay and other causes suffered by the State because of the failure to execute said contract and contract bond; otherwise, the bid bond will become void or the proposal guaranty check will be returned to the undersigned.

Attach Cashier's Check or Certified Check Here

In the event that one proposal guaranty check is intended to cover two or more proposals, the amount must be equal to the sum of the proposal guaranties which would be required for each individual proposal. If the guaranty check is placed in another proposal, state below where it may be found.

The proposal guaranty check will be found in the proposal for:

Item _____

Airport _____

Mark the proposal cover sheet as to the type of proposal guaranty submitted.

RETURN WITH BID

6. **COMBINATION BIDS.** The undersigned bidder further agrees that if awarded the contract for the sections contained in the following combination, he/she will perform the work in accordance with the requirements of each individual contract comprising the combination bid specified in the schedule below, and that the combination bid shall be prorated against each section in proportion to the bid submitted for the same. If an error is found to exist in the gross sum bid for one or more of the individual sections included in a combination, the combination bid shall be corrected as provided in the specifications.

When a combination bid is submitted, the schedule below must be completed in each proposal comprising the combination.

If alternate bids are submitted for one or more of the sections comprising the combination, a combination bid must be submitted for each alternate.

Schedule of Combination Bids

Combination No.	Sections Included in Combination	Combination Bid	
		Dollars	Cents

7. **SCHEDULE OF PRICES.** The undersigned bidder submits herewith, in accordance with the rules and instructions, a schedule of prices for the items of work for which bids are sought. The unit prices bid are in U.S. dollars and cents, and all extensions and summations have been made. The bidder understands that the quantities appearing in the bid schedule are approximate and are provided for the purpose of obtaining a gross sum for the comparison of bids. If there is an error in the extension of the unit prices, the unit prices will govern. Payment to the contractor awarded the contract will be made only for actual quantities of work performed and accepted or materials furnished according to the contract. The scheduled quantities of work to be done and materials to be furnished may be increased, decreased or omitted as provided elsewhere in the contract.
8. **AUTHORITY TO DO BUSINESS IN ILLINOIS.** Section 20-43 of the Illinois Procurement Code (the Code) (30 ILCS 500/20-43) provides that a person (other than an individual acting as a sole proprietor) must be a legal entity authorized to transact business or conduct affairs in the State of Illinois prior to submitting the bid.
9. **EXECUTION OF CONTRACT.** The Department of Transportation will, in accordance with the rules governing Department procurements, execute the contract and shall be the sole entity having the authority to accept performance and make payments under the contract. Execution of the contract by the Chief Procurement Officer (CPO) or the State Purchasing Officer (SPO) is for approval of the procurement process and execution of the contract by the Department. Neither the CPO nor the SPO shall be responsible for administration of the contract or determinations respecting performance or payment there under except as otherwise permitted in the Code
10. **The services of a subcontractor will be used.**
- Check box Yes
- Check box No

For known subcontractors with subcontracts with an annual value of more than \$50,000, the contract shall include their name, address, general type of work to be performed, and the dollar allocation for each subcontractor. (30 ILCS 500/20-120)

STATE JOB #- - - -

ILLINOIS DEPARTMENT OF TRANSPORTATION
 SCHEDULE OF PRICES
 CONTRACT NUMBER - QU020

ECMS002 DTGECM03 ECMR003 PAGE 1
 RUN DATE - 06/30/15
 RUN TIME - 202548

COUNTY NAME	CODE	DIST	AIRPORT NAME	FED PROJECT	ILL PROJECT
ROCK ISLAND	161	02	QUAD CITY INTERNATIONAL	3-17-SBGP-XX	ML-I -4482

ITEM NUMBER	PAY ITEM DESCRIPTION	UNIT OF MEASURE	QUANTITY	UNIT PRICE		TOTAL PRICE	
				DOLLARS	CENTS	DOLLARS	CTS
AR108158	1/C #8 5 KV UG CABLE IN UD	L.F.	3,500.000 X		=		
AR109210	VAULT MODIFICATIONS	L.S.	1.000 X		=		
AR110312	2" STEEL DUCT, JACKED	L.F.	175.000 X		=		
AR110504	4-WAY CONCRETE ENCASED DUCT	L.F.	75.000 X		=		
AR125415	MITL-BASE MOUNTED	EACH	24.000 X		=		
AR125444	TAXI GUIDANCE SIGN, 4 CHARACTER	EACH	2.000 X		=		
AR125445	TAXI GUIDANCE SIGN, 5 CHARACTER	EACH	4.000 X		=		
AR125470	MODIFY EXISTING SIGN PANEL	EACH	1.000 X		=		
AR125565	SPLICE CAN	EACH	1.000 X		=		
AR125902	REMOVE BASE MOUNTED LIGHT	EACH	8.000 X		=		
AR125904	REMOVE TAXI GUIDANCE SIGN	EACH	2.000 X		=		
AR125915	RELOCATE RGL	PAIR	1.000 X		=		
AR150520	MOBILIZATION	L.S.	1.000 X		=		
AR152410	UNCLASSIFIED EXCAVATION	C.Y.	3,093.000 X		=		
AR152540	SOIL STABILIZATION FABRIC	S.Y.	2,750.000 X		=		

QUAD CITY INTERNATIONAL
 ROCK ISLAND

ILLINOIS DEPARTMENT OF TRANSPORTATION
 SCHEDULE OF PRICES
 CONTRACT NUMBER - QU020

ECMS002 DTGECM03 ECMR003 PAGE 2
 RUN DATE - 06/30/15
 RUN TIME - 202548

ITEM NUMBER	PAY ITEM DESCRIPTION	UNIT OF MEASURE	QUANTITY	UNIT PRICE		TOTAL PRICE	
				DOLLARS	CENTS	DOLLARS	CTS
AR156520	INLET PROTECTION	EACH	4.000 X		=		
AR208515	POROUS GRANULAR EMBANKMENT	C.Y.	150.000 X		=		
AR209610	CRUSHED AGG. BASE COURSE - 10"	S.Y.	2,750.000 X		=		
AR501509	9" PCC PAVEMENT	S.Y.	2,575.000 X		=		
AR501900	REMOVE PCC PAVEMENT	S.Y.	37.000 X		=		
AR605510	JOINT SEALING FILLER	L.F.	3,920.000 X		=		
AR620520	PAVEMENT MARKING-WATERBORNE	S.F.	7,195.000 X		=		
AR620900	PAVEMENT MARKING REMOVAL	S.F.	3,560.000 X		=		
AR701006	6" PVC STORM SEWER	L.F.	75.000 X		=		
AR701512	12" RCP, CLASS IV	L.F.	415.000 X		=		
AR705506	6" PERFORATED UNDERDRAIN	L.F.	815.000 X		=		
AR705635	UNDERDRAIN COLLECTION STRUCTURE	EACH	2.000 X		=		
AR705900	REMOVE UNDERDRAIN	L.F.	380.000 X		=		
AR751540	MANHOLE 4'	EACH	2.000 X		=		
AR800022	2-1/C #4 XLP-USE, 600V & 1/C #8 G	L.F.	1,000.000 X		=		

QUAD CITY INTERNATIONAL
 ROCK ISLAND

ILLINOIS DEPARTMENT OF TRANSPORTATION
 SCHEDULE OF PRICES
 CONTRACT NUMBER - QU020

ECMS002 DTGECM03 ECMR003 PAGE 3
 RUN DATE - 06/30/15
 RUN TIME - 202548

ITEM NUMBER	PAY ITEM DESCRIPTION	UNIT OF MEASURE	QUANTITY	UNIT PRICE		TOTAL PRICE	
				DOLLARS	CENTS	DOLLARS	CTS
AR800038	REMOVE BASE MOUNTED LIGHT (FIXTUR	EACH	25.000 X			=	
AR800116	PAVEMENT MARKING-PREFORMED THERMO	S.F.	2,660.000 X			=	
AR901510	SEEDING	ACRE	1.000 X			=	
AR904510	SODDING	S.Y.	535.000 X			=	
AR908510	MULCHING	ACRE	1.000 X			=	
				TOTAL		\$	

NOTE:

1. EACH PAY ITEM SHOULD HAVE A UNIT PRICE AND A TOTAL PRICE.
2. THE UNIT PRICE SHALL GOVERN IF NO TOTAL PRICE IS SHOWN OR IF THERE IS A DISCREPANCY BETWEEN THE PRODUCT OF THE UNIT PRICE MULTIPLIED BY THE QUANTITY.
3. IF A UNIT PRICE IS OMITTED, THE TOTAL PRICE WILL BE DIVIDED BY THE QUANTITY IN ORDER TO ESTABLISH A UNIT PRICE.
4. A BID MAY BE DECLARED UNACCEPTABLE IF NEITHER A UNIT PRICE NOR A TOTAL PRICE IS SHOWN.

RETURN WITH BID

STATE REQUIRED ETHICAL STANDARDS GOVERNING CONTRACT PROCUREMENT: ASSURANCES, CERTIFICATIONS AND DISCLOSURES

I. GENERAL

A. Article 50 of the Code establishes the duty of all State CPOs, SPOs, and their designees to maximize the value of the expenditure of public moneys in procuring goods, services, and contracts for the State of Illinois and to act in a manner that maintains the integrity and public trust of State government. In discharging this duty, they are charged by law to use all available information, reasonable efforts, and reasonable actions to protect, safeguard, and maintain the procurement process of the State of Illinois.

B. In order to comply with the provisions of Article 50 and to carry out the duty established therein, all bidders are to adhere to ethical standards established for the procurement process, and to make such assurances, disclosures and certifications required by law. Except as otherwise required in subsection III, paragraphs J-M, by execution of the Proposal Signature Sheet, the bidder indicates that each of the mandated assurances has been read and understood, that each certification is made and understood, and that each disclosure requirement has been understood and completed.

C. In addition to all other remedies provided by law, failure to comply with any assurance, failure to make any disclosure or the making of a false certification shall be grounds for the CPO to void the contract, and may result in the suspension or debarment of the bidder or subcontractor. If a false certification is made by a subcontractor, the contractor's submitted bid and the executed contract may not be declared void unless the contractor refuses to terminate the subcontract upon the States' request after a finding that the subcontractor's certification was false.

I acknowledge, understand and accept these terms and conditions.

II. ASSURANCES

The assurances hereinafter made by the bidder are each a material representation of fact upon which reliance is placed should the Department enter into the contract with the bidder.

A. Conflicts of Interest

Section 50-13. Conflicts of Interest.

(a) Prohibition. It is unlawful for any person holding an elective office in this State, holding a seat in the General Assembly, or appointed to or employed in any of the offices or agencies of state government and who receives compensation for such employment in excess of 60% of the salary of the Governor of the State of Illinois, or who is an officer or employee of the Capital Development Board or the Illinois Toll Highway Authority, or who is the spouse or minor child of any such person to have or acquire any contract, or any direct pecuniary interest in any contract therein, whether for stationery, printing, paper, or any services, materials, or supplies, that will be wholly or partially satisfied by the payment of funds appropriated by the General Assembly of the State of Illinois or in any contract of the Capital Development Board or the Illinois Toll Highway Authority.

(b) Interests. It is unlawful for any firm, partnership, association or corporation, in which any person listed in subsection (a) is entitled to receive (i) more than 7 1/2% of the total distributable income or (ii) an amount in excess of the salary of the Governor, to have or acquire any such contract or direct pecuniary interest therein.

(c) Combined interests. It is unlawful for any firm, partnership, association, or corporation, in which any person listed in subsection (a) together with his or her spouse or minor children is entitled to receive (i) more than 15%, in the aggregate, of the total distributable income or (ii) an amount in excess of 2 times the salary of the Governor, to have or acquire any such contract or direct pecuniary interest therein.

(d) Securities. Nothing in this Section invalidates the provisions of any bond or other security previously offered or to be offered for sale or sold by or for the State of Illinois.

(e) Prior interests. This Section does not affect the validity of any contract made between the State and an officer or employee of the State or member of the General Assembly, his or her spouse, minor child or any combination of those persons if that contract was in existence before his or her election or employment as an officer, member, or employee. The contract is voidable, however, if it cannot be completed within 365 calendar days after the officer, member, or employee takes office or is employed. The current salary of the Governor is \$177,412.00. Sixty percent of the salary is \$106,447.20.

RETURN WITH BID

The bidder assures the Department that the award and execution of the contract would not cause a violation of Section 50-13, or that an effective exemption has been issued by the Board of Ethics to any individual subject to the Section 50-13 prohibitions pursuant to the provisions of Section 50-20 of the Code and Executive Order Number 3 (1998). Information concerning the exemption process is available from the Department upon request.

B. Negotiations

Section 50-15. Negotiations.

It is unlawful for any person employed in or on a continual contractual relationship with any of the offices or agencies of State government to participate in contract negotiations on behalf of that office or agency with any firm, partnership, association, or corporation with whom that person has a contract for future employment or is negotiating concerning possible future employment.

The bidder assures the Department that the award and execution of the contract would not cause a violation of Section 50-15, and that the bidder has no knowledge of any facts relevant to the kinds of acts prohibited therein.

C. Inducements

Section 50-25. Inducement.

Any person who offers or pays any money or other valuable thing to any person to induce him or her not to provide a submission to a vendor portal or to bid for a State contract or as recompense for not having bid on a State contract is guilty of a Class 4 felony. Any person who accepts any money or other valuable thing for not bidding for a State contract, not making a submission to a vendor portal or who withholds a bid or submission to a vendor portal in consideration of the promise for the payment of money or other valuable thing is guilty of a Class 4 felony.

The bidder assures the Department that the award and execution of the contract would not cause a violation of Section 50-25, and that the bidder has no knowledge of any facts relevant to the kinds of acts prohibited therein.

D. Revolving Door Prohibition

Section 50-30. Revolving door prohibition.

CPOs, SPOs, procurement compliance monitors, their designees whose principal duties are directly related to State procurement, and executive officers confirmed by the Senate are expressly prohibited for a period of 2 years after terminating an affected position from engaging in any procurement activity relating to the State agency most recently employing them in an affected position for a period of at least 6 months. The prohibition includes, but is not limited to: lobbying the procurement process; specifying; bidding; proposing bid, proposal, or contract documents; on their own behalf or on behalf of any firm, partnership, association, or corporation. This Section applies only to persons who terminate an affected position on or after January 15, 1999.

The bidder assures the Department that the award and execution of the contract would not cause a violation of Section 50-30, and that the bidder has no knowledge of any facts relevant to the kinds of acts prohibited therein.

E. Reporting Anticompetitive Practices

Section 50-40. Reporting anticompetitive practices.

When, for any reason, any vendor, bidder, contractor, CPO, SPO, designee, elected official, or State employee suspects collusion or other anticompetitive practice among any bidders, offers, contractors, proposers, or employees of the State, a notice of the relevant facts shall be transmitted to the Attorney General and the CPO.

The bidder assures the Department that it has not failed to report any relevant facts concerning the practices addressed in Section 50-40 which may involve the contract for which the bid or submission to a vendor portal is submitted.

F. Confidentiality

Section 50-45. Confidentiality.

Any CPO, SPO, designee, or executive officer who willfully uses or allows the use of specifications, competitive bid documents, proprietary competitive information, proposals, contracts, or selection information to compromise the fairness or integrity of the procurement, bidding, or contract process shall be subject to immediate dismissal, regardless of the Personnel code, any contract, or any collective bargaining agreement, and may in addition be subject to criminal prosecution.

The bidder assures the Department that it has no knowledge of any fact relevant to the practices addressed in Section 50-45 which may involve the contract for which the bid is submitted.

RETURN WITH BID

G. Insider Information

Section 50-50. Insider information.

It is unlawful for any current or former elected or appointed State official or State employee to knowingly use confidential information available only by virtue of that office or employment for actual or anticipated gain for themselves or another person.

The bidder assures the Department that it has no knowledge of any facts relevant to the practices addressed in Section 50-50 which may involve the contract for which the bid is submitted.

I acknowledge, understand and accept these terms and conditions for the above assurances.

III. CERTIFICATIONS

The certifications hereinafter made by the bidder are each a material representation of fact upon which reliance is placed should the Department enter into the contract with the bidder. Section 50-2 of the Code provides that every person that has entered into a multi-year contract and every subcontractor with a multi-year subcontract shall certify, by July 1 of each fiscal year covered by the contract after the initial fiscal year, to the responsible CPO whether it continues to satisfy the requirements of Article 50 pertaining to the eligibility for a contract award. If a contractor or subcontractor is not able to truthfully certify that it continues to meet all requirements, it shall provide with its certification a detailed explanation of the circumstances leading to the change in certification status. A contractor or subcontractor that makes a false statement material to any given certification required under Article 50 is, in addition to any other penalties or consequences prescribed by law, subject to liability under the Whistleblower Reward and Protection Act for submission of a false claim.

A. Bribery

Section 50-5. Bribery.

(a) Prohibition. No person or business shall be awarded a contract or subcontract under this Code who:

(1) has been convicted under the laws of Illinois or any other state of bribery or attempting to bribe an officer or employee of the State of Illinois or any other state in that officer's or employee's official capacity; or

(2) has made an admission of guilt of that conduct that is a matter of record but has not been prosecuted for that conduct.

(b) Businesses. No business shall be barred from contracting with any unit of State or local government, or subcontracting under such a contract, as a result of a conviction under this Section of any employee or agent of the business if the employee or agent is no longer employed by the business and:

(1) the business has been finally adjudicated not guilty; or

(2) the business demonstrates to the governmental entity with which it seeks to contract, or which is signatory to the contract which the subcontract relates, and that entity finds that the commission of the offense was not authorized, requested, commanded, or performed by a director, officer, or high managerial agent on behalf of the business as provided in paragraph (2) of subsection (a) of Section 5-4 of the Criminal Code of 2012.

(c) Conduct on behalf of business. For purposes of this Section, when an official, agent, or employee of a business committed the bribery or attempted bribery on behalf of the business and in accordance with the direction or authorization of a responsible official of the business, the business shall be chargeable with the conduct.

(d) Certification. Every bid submitted to and contract executed by the State, and every subcontract subject to Section 20-120 of the Code shall contain a certification by the contractor or the subcontractor, respectively, that the contractor or subcontractor is not barred from being awarded a contract or subcontract under this Section and acknowledges that the CPO may declare the related contract void if any certifications required by this Section are false. A contractor who makes a false statement, material to the certification, commits a Class 3 felony.

The contractor or subcontractor certifies that it is not barred from being awarded a contract under Section 50-5.

B. Felons

Section 50-10. Felons.

(a) Unless otherwise provided, no person or business convicted of a felony shall do business with the State of Illinois or any State agency, or enter into a subcontract, from the date of conviction until 5 years after the date of completion of the sentence for that felony, unless no person held responsible by a prosecutorial office for the facts upon which the conviction was based continues to have any involvement with the business.

(b) Certification. Every bid submitted to and contract executed by the State and every subcontract subject to Section 20-120 of the Code and every vendor's submission to a vendor portal shall contain a certification by the bidder or contractor or subcontractor, respectively, that the bidder, contractor, or subcontractor is not barred from being awarded a contract or subcontract under this Section and acknowledges that the CPO may declare the related contract void if any of the certifications required by this Section are false.

RETURN WITH BID

C. Debt Delinquency

Section 50-11 and 50-12. Debt Delinquency.

The contractor or bidder or subcontractor, respectively, certifies that it, or any affiliate, is not barred from being awarded a contract or subcontract under the Code. Section 50-11 prohibits a person from entering into a contract with a State agency, or entering into a subcontract, if it knows or should know that it, or any affiliate, is delinquent in the payment of any debt to the State as defined by the Debt Collection Board. Section 50-12 prohibits a person from entering into a contract with a State agency, or entering into a subcontract, if it, or any affiliate, has failed to collect and remit Illinois Use Tax on all sales of tangible personal property into the State of Illinois in accordance with the provisions of the Illinois Use Tax Act. The bidder or contractor or subcontractor, respectively, further acknowledges that the CPO may declare the related contract void if this certification is false or if the bidder, contractor, or subcontractor, or any affiliate, is determined to be delinquent in the payment of any debt to the State during the term of the contract.

D. Prohibited Bidders, Contractors and Subcontractors

Section 50-10.5 and 50-60(c). Prohibited bidders, contractors and subcontractors.

The bidder or contractor or subcontractor, respectively, certifies in accordance with Section 50-10.5 that no officer, director, partner or other managerial agent of the contracting business has been convicted of a felony under the Sarbanes-Oxley Act of 2002 or a Class 3 or Class 2 felony under the Illinois Securities Law of 1953 or if in violation of Subsection (c) for a period of five years from the date of conviction. Every bid submitted to and contract executed by the State and every subcontract subject to Section 20-120 of the Code shall contain a certification by the bidder, contractor, or subcontractor, respectively, that the bidder, contractor, or subcontractor is not barred from being awarded a contract or subcontract under this Section and acknowledges that the CPO shall declare the related contract void if any of the certifications completed pursuant to this Section are false.

E. Section 42 of the Environmental Protection Act

Section 50-14 Environmental Protection Act violations.

The bidder or contractor or subcontractor, respectively, certifies in accordance with Section 50-14 that the bidder, contractor, or subcontractor, is not barred from being awarded a contract or entering into a subcontract under this Section which prohibits the bidding on or entering into contracts with the State of Illinois or a State agency, or entering into any subcontract, that is subject to the Code by a person or business found by a court or the Pollution Control Board to have committed a willful or knowing violation of Section 42 of the Environmental Protection Act for a period of five years from the date of the order. The bidder or contractor or subcontractor, respectively, acknowledges that the CPO may declare the contract void if this certification is false.

F. Educational Loan

Section 3 of the Educational Loan Default Act, 5 ILCS 385/3

Pursuant to the Educational Loan Default Act, no State agency shall contract with an individual for goods or services if that individual is in default on an educational loan.

The bidder, if an individual as opposed to a corporation, partnership or other form of business organization, certifies that the bidder is not in default on an educational loan as provided in Section 3 of the Act.

G. Bid-Rigging/Bid Rotating

Section 33E-11 of the Criminal Code of 2012, 720 ILCS 5/33E-11

(a) Every bid submitted to and public contract executed pursuant to such bid by the State or a unit of local government shall contain a certification by the prime contractor that the prime contractor is not barred from contracting with any unit of State or local government as a result of a violation of either Section 33E-3 or 33E-4 of this Article.

(b) A contractor who makes a false statement, material to the certification, commits a Class 3 felony.

A violation of Section 33E-3 would be represented by a conviction of the crime of bid-rigging which, in addition to Class 3 felony sentencing, provides that any person convicted of this offense or any similar offense of any state or the United States which contains the same elements as this offense shall be barred for 5 years from the date of conviction from contracting with any unit of State or local government. No corporation shall be barred from contracting with any unit of State or local government as a result of a conviction under this Section of any employee or agent of such corporation if the employee so convicted is no longer employed by the corporation and: (1) it has been finally adjudicated not guilty or (2) if it demonstrates to the governmental entity with which it seeks to contract and that entity finds that the commission of the offense was neither authorized, requested, commanded, nor performed by a director, officer or a high managerial agent in behalf of the corporation.

RETURN WITH BID

The bidder certifies that it is not barred from contracting with the Department by reason of a violation of either Section 33E-3 or Section 33E-4.

H. International Anti-Boycott

Section 5 of the International Anti-Boycott Certification Act provides every contract entered into by the State of Illinois for the manufacture, furnishing, or purchasing of supplies, material, or equipment or for the furnishing of work, labor, or services, in an amount exceeding the threshold for small purchases according to the purchasing laws of this State or \$10,000.00, whichever is less, shall contain certification, as a material condition of the contract, by which the contractor agrees that neither the contractor nor any substantially-owned affiliated company is participating or shall participate in an international boycott in violation of the provisions of the U.S. Export Administration Act of 1979 or the regulations of the U.S. Department of Commerce promulgated under that Act.

The bidder makes the certification set forth in Section 5 of the Act.

I. Drug Free Workplace

The Illinois "Drug Free Workplace Act" applies to this contract and it is necessary to comply with the provisions of the "Act" if the contractor is a corporation, partnership, or other entity (including a sole proprietorship) which has 25 or more employees.

The bidder certifies that if awarded a contract in excess of \$5,000 it will provide a drug free workplace in compliance with the provisions of the Act.

J. Disclosure of Business Operations in Iran

Section 50-36 of the Code provides that each bid, offer, or proposal submitted for a State contract shall include a disclosure of whether or not the Company acting as the bidder, offeror, or proposing entity, or any of its corporate parents or subsidiaries, within the 24 months before submission of the bid, offer, or proposal had business operations that involved contracts with or provision of supplies or services to the Government of Iran, companies in which the Government of Iran has any direct or indirect equity share, consortiums or projects commissioned by the Government of Iran, or companies involved in consortiums or projects commissioned by the Government of Iran and either of the following conditions apply:

- (1) More than 10% of the Company's revenues produced in or assets located in Iran involve oil-related activities or mineral-extraction activities; less than 75% of the Company's revenues produced in or assets located in Iran involve contracts with or provision of oil-related or mineral-extraction products or services to the Government of Iran or a project or consortium created exclusively by that government; and the Company has failed to take substantial action.
- (2) The Company has, on or after August 5, 1996, made an investment of \$20 million or more, or any combination of investments of at least \$10 million each that in the aggregate equals or exceeds \$20 million in any 12-month period, which directly or significantly contributes to the enhancement of Iran's ability to develop petroleum resources of Iran.

The terms "Business operations", "Company", "Mineral-extraction activities", "Oil-related activities", "Petroleum resources", and "Substantial action" are all defined in the Code.

Failure to make the disclosure required by the Code may cause the bid, offer or proposal to be considered not responsive. The disclosure will be considered when evaluating the bid, offer, or proposal or awarding the contract. The name of each Company disclosed as doing business or having done business in Iran will be provided to the State Comptroller.

Check the appropriate statement:

Company has no business operations in Iran to disclose.

Company has business operations in Iran as disclosed on the attached document.

RETURN WITH BID

K. Apprenticeship and Training Certification (Does not apply to federal aid projects)

In accordance with the provisions of Section 30-22 (6) of the Code, the bidder certifies that it is a participant, either as an individual or as part of a group program, in the approved apprenticeship and training programs applicable to each type of work or craft that the bidder will perform with its own forces. The bidder further certifies for work that will be performed by subcontract that each of its subcontractors submitted for approval either (a) is, at the time of such bid, participating in an approved, applicable apprenticeship and training program; or (b) will, prior to commencement of performance of work pursuant to this contract, begin participation in an approved apprenticeship and training program applicable to the work of the subcontract. The Department, at any time before or after award, may require the production of a copy of each applicable Certificate of Registration issued by the United States Department of Labor evidencing such participation by the contractor and any or all of its subcontractors. Applicable apprenticeship and training programs are those that have been approved and registered with the United States Department of Labor. The bidder shall list in the space below, the official name of the program sponsor holding the Certificate of Registration for all of the types of work or crafts in which the bidder is a participant and that will be performed with the bidder's forces. Types of work or craft work that will be subcontracted shall be included and listed as subcontracted work. The list shall also indicate any type of work or craft job category that does not have an applicable apprenticeship or training program. **The bidder is responsible for making a complete report and shall make certain that each type of work or craft job category that will be utilized on the project as reported on the Construction Employee Workforce Projection (Form BC-1256) and returned with the bid is accounted for and listed.**

Additionally, Section 30-22 of the Code requires that the bidder certify that an Illinois office be maintained as the primary place of employment for persons employed for this contract.

_____ **NA-FEDERAL** _____

The requirements of these certifications and disclosures are a material part of the contract, and the contractor shall require these certification provisions to be included in all approved subcontracts. In order to fulfill this requirement, it shall not be necessary that an applicable program sponsor be currently taking or that it will take applications for apprenticeship, training or employment during the performance of the work of this contract.

RETURN WITH BID

L. Political Contributions and Registration with the State Board of Elections.

Sections 20-160 and 50-37 of the Code regulate political contributions from business entities and any affiliated entities or affiliated persons bidding on or contracting with the state. Generally under Section 50-37, any business entity, and any affiliated entity or affiliated person of the business entity, whose current year contracts with all state agencies exceed an awarded value of \$50,000, are prohibited from making any contributions to any political committees established to promote the candidacy of the officeholder responsible for the awarding of the contracts or any other declared candidate for that office for the duration of the term of office of the incumbent officeholder or a period 2 years after the termination of the contract, whichever is longer. Any business entity and affiliated entities or affiliated persons whose state contracts in the current year do not exceed an awarded value of \$50,000, either alone or in combination with contracts not exceeding \$50,000, are prohibited from making any political contributions to any political committee established to promote the candidacy of the officeholder responsible for awarding the pending contract during the period beginning on the date the invitation for bids or request for proposals or any other procurement opportunity is issued and ending on the day after the date of award or selection if the entity was not awarded or selected. Section 20-160 requires certification of registration of affected business entities in accordance with procedures found in Section 9-35 of The Election Code

By submission of a bid, the contractor business entity acknowledges and agrees that it has read and understands Sections 20-160 and 50-37 of the Code, and that it makes the following certification:

The undersigned business entity certifies that it has registered as a business with the State Board of Elections and acknowledges a continuing duty to update the registration in accordance with the above referenced statutes. If the business entity is required to register, the CPO shall verify that it is in compliance on the date the bid or proposal is due. The CPO shall not accept a bid or proposal if the business entity is not in compliance with the registration requirements.

These requirements and compliance with the above referenced statutory sections are a material part of the contract, and any breach thereof shall be cause to void the contract under Section 50-60 of the Code. This provision does not apply to Federal-aid contracts.

M. Lobbyist Disclosure

Section 50-38 of the Code requires that any bidder or offeror on a State contract that hires a person required to register under the Lobbyist Registration Act to assist in obtaining a contract shall:

- (i) Disclose all costs, fees, compensation, reimbursements, and other remunerations paid or to be paid to the lobbyist related to the contract,
- (ii) Not bill or otherwise cause the State of Illinois to pay for any of the lobbyist's costs, fees, compensation, reimbursements, or other remuneration, and
- (iii) Sign a verification certifying that none of the lobbyist's costs, fees, compensation, reimbursements, or other remuneration were billed to the State.

This information, along with all supporting documents, shall be filed with the agency awarding the contract and with the Secretary of State. The CPO shall post this information, together with the contract award notice, in the online Procurement Bulletin.

Pursuant to Subsection (c) of this Section, no person or entity shall retain a person or entity to attempt to influence the outcome of a procurement decision made under the Code for compensation contingent in whole or in part upon the decision or procurement. Any person who violates this subsection is guilty of a business offense and shall be fined not more than \$10,000.

Bidder acknowledges that it is required to disclose the hiring of any person required to register pursuant to the Illinois Lobbyist Registration Act (25 ILCS 170) in connection with this contract.

Bidder has not hired any person required to register pursuant to the Illinois Lobbyist Registration Act in connection with this contract.

Or

Bidder has hired the following persons required to register pursuant to the Illinois Lobbyist Registration Act in connection with the contract:

Name and address of person: _____
All costs, fees, compensation, reimbursements and other remuneration paid to said person: _____

I acknowledge, understand and accept these terms and conditions for the above certifications.

RETURN WITH BID

IV. DISCLOSURES

- A. The disclosures hereinafter made by the bidder are each a material representation of fact upon which reliance is placed should the Department enter into the contract with the bidder. The bidder further certifies that the Department has received the disclosure forms for each bid.

The CPO may void the bid, or contract, respectively, if it is later determined that the bidder or subcontractor rendered a false or erroneous disclosure. A contractor or subcontractor may be suspended or debarred for violations of the Code. Furthermore, the CPO may void the contract and the surety providing the performance bond shall be responsible for completion of the contract.

B. Financial Interests and Conflicts of Interest

1. Section 50-35 of the Code provides that all bids of more than \$50,000 and all submissions to a vendor portal shall be accompanied by disclosure of the financial interests of the bidder. This disclosed information for the successful bidder, will be maintained as public information subject to release by request pursuant to the Freedom of Information Act, filed with the Procurement Policy Board, and shall be incorporated as a material term of the contract. Furthermore, pursuant to Section 5-5, the Procurement Policy Board may review a proposal, bid, or contract and issue a recommendation to void a contract or reject a proposal or bid based on any violation of the Code or the existence of a conflict of interest as provided in subsections (b) and (d) of Section 50-35.

The financial interests to be disclosed shall include ownership or distributive income share that is in excess of 5%, or an amount greater than 60% of the annual salary of the Governor, of the bidding entity or its parent entity, whichever is less, unless the contractor or bidder is a publicly traded entity subject to Federal 10K reporting, in which case it may submit its 10K disclosure in place of the prescribed disclosure. If a bidder is a privately held entity that is exempt from Federal 10K reporting, but has more than 100 shareholders, it may submit the information that Federal 10K companies are required to report, and list the names of any person or entity holding any ownership share that is in excess of 5%. The disclosure shall include the names, addresses, and dollar or proportionate share of ownership of each individual making the disclosure, their instrument of ownership or beneficial relationship, and notice of any potential conflict of interest resulting from the current ownership or beneficial interest of each individual making the disclosure having any of the relationships identified in Section 50-35 and on the disclosure form.

The current annual salary of the Governor is \$177,412.00

In addition, all disclosures shall indicate any other current or pending contracts, proposals, leases, or other ongoing procurement relationships the bidding entity has with any other unit of state government and shall clearly identify the unit and the contract, proposal, lease, or other relationship.

2. Disclosure Forms. Disclosure Form A is attached for use concerning the individuals meeting the above ownership or distributive share requirements. A separate Disclosure Form A must be submitted with the bid for each individual meeting the above requirements. In addition, a second form (Disclosure Form B) provides for the disclosure of current or pending procurement relationships with other (non-IDOT) state agencies and a total ownership certification. **The forms must be included with each bid.**

C. Disclosure Form Instructions

Form A Instructions for Financial Information & Potential Conflicts of Interest

If the bidder is a publicly traded entity subject to Federal 10K reporting, the 10K Report may be submitted to meet the requirements of Form A. If a bidder is a privately held entity that is exempt from Federal 10K reporting, but has more than 100 shareholders, it may submit the information that Federal 10K companies are required to report, and list the names of any individual or entity holding any ownership share that is in excess of 5%. If a bidder is not subject to Federal 10K reporting, the bidder must determine if any individuals are required by law to complete a financial disclosure form. To do this, the bidder should answer each of the following questions. A "YES" answer indicates Form A must be completed. If the answer to each of the following questions is "NO", then the NOT APPLICABLE STATEMENT on Form A must be signed and dated by an individual that is authorized to execute contracts for the bidding company. Note: These questions are for assistance only and are not required to be completed.

1. Does anyone in your organization have a direct or beneficial ownership share of greater than 5% of the bidding entity or parent entity? YES _____ NO _____
2. Does anyone in your organization have a direct or beneficial ownership share of less than 5%, but which has a value greater than 60% of the annual salary of the Governor? YES _____ NO _____
3. Does anyone in your organization receive more than 60% of the annual salary of the Governor of the bidding entity's or parent entity's distributive income? (Note: Distributive income is, for these purposes, any type of distribution of profits. An annual salary is not distributive income.) YES _____ NO _____
4. Does anyone in your organization receive greater than 5% of the bidding entity's or parent entity's total distributive income, but which is less than 60% of the annual salary of the Governor? YES _____ NO _____

(Note: Only one set of forms needs to be completed per individual per bid even if a specific individual would require a yes answer to more than one question.)

A "YES" answer to any of these questions requires the completion of Form A. The bidder must determine each individual in the bidding entity or the bidding entity's parent company that would cause the questions to be answered "Yes". Each form must be signed and dated by an individual that is authorized to execute contracts for your organization. The individual signing can be, but does not have to be, the individual for which the form is being completed. The bidder is responsible for the accuracy of any information provided.

If the answer to each of the above questions is "NO", then the NOT APPLICABLE STATEMENT of Form A must be signed and dated by an individual that is authorized to execute contracts for your company.

RETURN WITH BID

Form B: Instructions for Identifying Other Contracts & Procurement Related Information

Disclosure Form B must be completed for each bid submitted by the bidding entity. *Note: Checking the NOT APPLICABLE STATEMENT on Form A does not allow the bidder to ignore Form B. Form B must be completed, checked, and dated or the bidder may be considered nonresponsive and the bid will not be accepted.*

The Bidder shall identify, by checking Yes or No on Form B, whether it has any pending contracts (including leases), bids, proposals, or other ongoing procurement relationship with any other (non-IDOT) State of Illinois agency. If "No" is checked, the bidder only needs to complete the check box on the bottom of Form B. If "Yes" is checked, the bidder must do one of the following:

Option I: If the bidder did not submit an Affidavit of Availability to obtain authorization to bid, the bidder must list all non-IDOT State of Illinois agency pending contracts, leases, bids, proposals, and other ongoing procurement relationships. These items may be listed on Form B or on an attached sheet(s). Do not include IDOT contracts. Contracts with cities, counties, villages, etc. are not considered State of Illinois agency contracts and are not to be included. Contracts with other State of Illinois agencies such as the Department of Natural Resources or the Capital Development Board must be included. Bidders who submit Affidavits of Availability are suggested to use Option II.

Option II: If the bidder is required and has submitted an Affidavit of Availability in order to obtain authorization to bid, the bidder may write or type "See Affidavit of Availability" which indicates that the Affidavit of Availability is incorporated by reference and includes all non-IDOT State of Illinois agency pending contracts, leases, bids, proposals, and other ongoing procurement relationships. For any contracts that are not covered by the Affidavit of Availability, the bidder must identify them on Form B or on an attached sheet(s). These might be such things as leases.

**ILLINOIS DEPARTMENT
OF TRANSPORTATION**

**Form A
Financial Information &
Potential Conflicts of Interest
Disclosure**

Contractor Name		
Legal Address		
City, State, Zip		
Telephone Number	Email Address	Fax Number (if available)

Disclosure of the information contained in this Form is required by Section 50-35 of the Code (30 ILCS 500). Vendors desiring to enter into a contract with the State of Illinois must disclose the financial information and potential conflict of interest information as specified in this Disclosure Form. This information shall become part of the publicly available contract file. This Form A must be completed for bids in excess of \$50,000, and for all open-ended contracts. **A publicly traded company may submit a 10K disclosure (or equivalent if applicable) in satisfaction of the requirements set forth in Form A. See Disclosure Form Instructions.**

The current salary of the Governor is \$177,412.00.

DISCLOSURE OF FINANCIAL INFORMATION

1. Disclosure of Financial Information. The individual named below has an interest in the BIDDER (or its parent) in terms of ownership or distributive income share in excess of 5%, or an interest which has a value of more than 60% of the annual salary of the Governor. **(Make copies of this form as necessary and attach a separate Disclosure Form A for each individual meeting these requirements)**

FOR INDIVIDUAL (type or print information)	
NAME:	_____
ADDRESS	_____
Type of ownership/distributable income share:	
stock _____	sole proprietorship _____
partnership _____	other: (explain on separate sheet)
% or \$ value of ownership/distributable income share: _____	

2. Disclosure of Potential Conflicts of Interest. Check "Yes" or "No" to indicate which, if any, of the following potential conflict of interest relationships apply. If the answer to any question is "Yes", please attach additional pages and describe.

(a) State employment, currently or in the previous 3 years, including contractual employment of services. Yes____ No____

If your answer is yes, please answer each of the following questions.

- Are you currently an officer or employee of either the Capitol Development Board or the Illinois State Toll Highway Authority? Yes____ No____
- Are you currently appointed to or employed by any agency of the State of Illinois? If you are currently appointed to or employed by any agency of the State of Illinois, and your annual salary exceeds 60% of the annual salary of the Governor, provide the name of the State agency for which you are employed and your annual salary. _____

RETURN WITH BID

3. If you are currently appointed to or employed by any agency of the State of Illinois, and your annual salary exceeds 60% of the annual salary of the Governor, are you entitled to receive (i) more than 7 1/2% of the total distributable income of your firm, partnership, association or corporation, or (ii) an amount in excess of 100% of the annual salary of the Governor? Yes _____ No _____
4. If you are currently appointed to or employed by any agency of the State of Illinois, and your annual salary exceeds 60% of the annual salary of the Governor, are you and your spouse or minor children entitled to receive (i) more than 15 % in the aggregate of the total distributable income of your firm, partnership, association or corporation, or (ii) an amount in excess of two times the salary of the Governor? Yes _____ No _____

(b) State employment of spouse, father, mother, son, or daughter, including contractual employment for services in the previous 2 years. Yes _____ No _____

If your answer is yes, please answer each of the following questions.

1. Is your spouse or any minor children currently an officer or employee of the Capital Development Board or the Illinois State Toll Highway Authority? Yes _____ No _____
2. Is your spouse or any minor children currently appointed to or employed by any agency of the State of Illinois? If your spouse or minor children is/are currently appointed to or employed by any agency of the State of Illinois, and his/her annual salary exceeds 60% of the annual salary of the Governor, provide the name of your spouse and/or minor children, the name of the State agency for which he/she is employed and his/her annual salary. _____
3. If your spouse or any minor children is/are currently appointed to or employed by any agency of the State of Illinois, and his/her annual salary exceeds 60% of the annual salary of the Governor, are you entitled to receive (i) more than 7 1/2% of the total distributable income of your firm, partnership, association or corporation, or (ii) an amount in excess of 100% of the annual salary of the Governor? Yes _____ No _____
4. If your spouse or any minor children are currently appointed to or employed by any agency of the State of Illinois, and his/her annual salary exceeds 60% of the annual salary of the Governor, are you and your spouse or minor children entitled to receive (i) more than 15% in the aggregate of the total distributable income of your firm, partnership, association or corporation, or (ii) an amount in excess of two times the salary of the Governor? Yes _____ No _____

(c) Elective status; the holding of elective office of the State of Illinois, the government of the United States, any unit of local government authorized by the Constitution of the State of Illinois or the statutes of the State of Illinois currently or in the previous 3 years. Yes _____ No _____

(d) Relationship to anyone holding elective office currently or in the previous 2 years; spouse, father, mother, son, or daughter Yes _____ No _____

(e) Appointive office; the holding of any appointive government office of the State of Illinois, the United States of America, or any unit of local government authorized by the Constitution of the State of Illinois or the statutes of the State of Illinois, which office entitles the holder to compensation in excess of the expenses incurred in the discharge of that office currently or in the previous 3 years. Yes _____ No _____

(f) Relationship to anyone holding appointive office currently or in the previous 2 years; spouse, father, mother, son, or daughter. Yes _____ No _____

(g) Employment, currently or in the previous 3 years, as or by any registered lobbyist of the State government. Yes _____ No _____

RETURN WITH BID

(h) Relationship to anyone who is or was a registered lobbyist in the previous 2 years; spouse, father, mother, son, or daughter. Yes____ No____

(i) Compensated employment, currently or in the previous 3 years, by any registered election or reelection committee registered with the Secretary of State or any county clerk of the State of Illinois, or any political action committee registered with either the Secretary of State or the Federal Board of Elections Yes____ No____

(j) Relationship to anyone; spouse, father, mother, son, or daughter; who was a compensated employee in the last 2 years by any registered election or re-election committee registered with the Secretary of State or any county clerk of the State of Illinois, or any political action committee registered with either the Secretary of State or the Federal Board of Elections. Yes____ No____

3. Communication Disclosure.

Disclose the name and address of each lobbyist and other agent of the bidder or offeror who is not identified in Section 2 of this form, who has communicated, is communicating, or may communicate with any State officer or employee concerning the bid or offer. This disclosure is a continuing obligation and must be promptly supplemented for accuracy throughout the process and throughout the term of the contract. If no person is identified, enter "None" on the line below:

Name and address of person(s): _____

RETURN WITH BID

4. Debarment Disclosure. For each of the persons identified under Sections 2 and 3 of this form, disclose whether any of the following has occurred within the previous 10 years: debarment from contracting with any governmental entity; professional licensure discipline; bankruptcies; adverse civil judgments and administrative findings; and criminal felony convictions. This disclosure is a continuing obligation and must be promptly supplemented for accuracy throughout the procurement process and term of the contract. If no person is identified, enter "None" on the line below:

Name of person(s): _____

Nature of disclosure: _____

APPLICABLE STATEMENT

This Disclosure Form A is submitted on behalf of the INDIVIDUAL named on previous page. Under penalty of perjury, I certify the contents of this disclosure to be true and accurate to the best of my knowledge.

Completed by: _____ Date _____
Signature of Individual or Authorized Officer

NOT APPLICABLE STATEMENT

Under penalty of perjury, I have determined that no individuals associated with this organization meet the criteria that would require the completion of this Form A.

This Disclosure Form A is submitted on behalf of the CONTRACTOR listed on the previous page.

_____ Date _____
Signature of Authorized Officer

The bidder has a continuing obligation to supplement these disclosures under Sec. 50-35 of the Code.

RETURN WITH BID

ILLINOIS DEPARTMENT OF TRANSPORTATION

Form B Other Contracts & Procurement Related Information Disclosure

Contractor Name, Legal Address, City, State, Zip, Telephone Number, Email Address, Fax Number (if available)

Disclosure of the information contained in this Form is required by Section 50-35 of the Code (30 ILCS 500). This information shall become part of the publicly available contract file. This Form B must be completed for all bids.

DISCLOSURE OF OTHER CONTRACTS AND PROCUREMENT RELATED INFORMATION

1. Identifying Other Contracts & Procurement Related Information. The BIDDER shall identify whether it has any pending contracts (including leases), bids, proposals, or other ongoing procurement relationship with any other State of Illinois agency: Yes _____ No _____ If "No" is checked, the bidder only needs to complete the signature box on this page.

2. If "Yes" is checked. Identify each such relationship by showing State of Illinois agency name and other descriptive information such as bid or project number (attach additional pages as necessary). SEE DISCLOSURE FORM INSTRUCTIONS:

THE FOLLOWING STATEMENT MUST BE CHECKED

Signature of Authorized Representative, Date

OWNERSHIP CERTIFICATION

Please certify that the following statement is true if the individuals for all submitted Form A disclosures do not total 100% of ownership.

Any remaining ownership interest is held by individuals receiving less than \$106,447.20 of the bidding entity's or parent entity's distributive income or holding less than a 5% ownership interest.

Yes No N/A (Form A disclosure(s) established 100% ownership)

RETURN WITH BID

SPECIAL NOTICE TO CONTRACTORS

The following requirements of the Illinois Department of Human Rights' Act are applicable to bidders on all construction contracts advertised by the Illinois Department of Transportation:

CONSTRUCTION EMPLOYEE UTILIZATION PROJECTION

- (a) All bidders on construction contracts shall complete and submit, along with and as part of their bids, a Bidder's Employee Utilization Form (Form BC-1256) setting forth a projection and breakdown of the total workforce intended to be hired and/or allocated to such contract work by the bidder including a projection of minority and female employee utilization in all job classifications on the contract project.
- (b) The Department of Transportation shall review the Employee Utilization Form, and workforce projections contained therein, of the contract awardee to determine if such projections reflect an underutilization of minority persons and/or women in any job classification in accordance with the Equal Employment Opportunity Clause and Title 44, Illinois Administrative Code, Section 750.120. If it is determined that the contract awardee's projections reflect an underutilization of minority persons and/or women in any job classification, it shall be advised in writing of the manner in which it is underutilizing and such awardee shall be considered to be in breach of the contract unless, prior to commencement of work on the contract project, it submits revised satisfactory projections or an acceptable written affirmative action plan to correct such underutilization including a specific timetable geared to the completion stages of the contract.
- (c) The Department of Transportation shall provide to the Department of Human Rights a copy of the contract awardee's Employee Utilization Form, a copy of any required written affirmative action plan, and any written correspondence related thereto. The Department of Human Rights may review and revise any action taken by the Department of Transportation with respect to these requirements.

RETURN WITH BID

**Contract No. QU020
Quad City International Airport
Moline, Illinois
Rock Island County
Illinois Project No. MLI-4482
SBG Project No. 3-17-0068-XX**

PART II. WORKFORCE PROJECTION - continued

- B. Included in "Total Employees" under Table A is the total number of **new hires** that would be employed in the event the undersigned bidder is awarded this contract.

The undersigned bidder projects that: (number) _____ new hires would be recruited from the area in which the contract project is located; and/or (number) _____ new hires would be recruited from the area in which the bidder's principal office or base of operation is located.

- C. Included in "Total Employees" under Table A is a projection of numbers of persons to be employed directly by the undersigned bidder as well as a projection of numbers of persons to be employed by subcontractors.

The undersigned bidder estimates that (number) _____ persons will be directly employed by the prime contractor and that (number) _____ persons will be employed by subcontractors.

PART III. AFFIRMATIVE ACTION PLAN

- A. The undersigned bidder understands and agrees that in the event the foregoing minority and female employee utilization projection included under **PART II** is determined to be an underutilization of minority persons or women in any job category, and in the event that the undersigned bidder is awarded this contract, he/she will, prior to commencement of work, develop and submit a written Affirmative Action Plan including a specific timetable (geared to the completion stages of the contract) whereby deficiencies in minority and/or female employee utilization are corrected. Such Affirmative Action Plan will be subject to approval by the contracting agency and the **Illinois Department of Human Rights**.
- B. The undersigned bidder understands and agrees that the minority and female employee utilization projection submitted herein, and the goals and timetable included under an Affirmative Action Plan if required, are deemed to be part of the contract specifications.

Company _____ Telephone Number _____

Address _____

NOTICE REGARDING SIGNATURE

The Bidder's signature on the Proposal Signature Sheet will constitute the signing of this form. The following signature block needs to be completed only if revisions are required.

Signature: _____ Title: _____ Date: _____

Instructions: All tables must include subcontractor personnel in addition to prime contractor personnel.

Table A - Include both the number of employees that would be hired to perform the contract work and the total number currently employed (Table B) that will be allocated to contract work, and include all apprentices and on-the-job trainees. The "Total Employees" column should include all employees including all minorities, apprentices and on-the-job trainees to be employed on the contract work.

Table B - Include all employees currently employed that will be allocated to the contract work including any apprentices and on-the-job trainees currently employed.

Table C - Indicate the racial breakdown of the total apprentices and on-the-job trainees shown in Table A.

RETURN WITH BID

ADDITIONAL FEDERAL REQUIREMENTS

In addition to the Required Contract Provisions for Federally funded airport construction contracts, all bidders make the following certifications.

A. By the execution of this proposal, the signing bidder certifies that the bidding entity has not, either directly or indirectly, entered into any agreement, participated in any collusion, or otherwise taken any action, in restraint of free competitive bidding in connection with the submitted bid. This statement made by the undersigned bidder is true and correct under penalty of perjury under the laws of the United States.

B. CERTIFICATION, EQUAL EMPLOYMENT OPPORTUNITY

1. Have you participated in any previous contracts or subcontracts subject to the equal opportunity clause?
Yes____ No____
2. If your answer is yes, have you filed with the Joint Reporting Committee, the Director of OFCC, any Federal agency, or the former President's Committee on Equal Employment Opportunity, all reports due under the applicable filing requirements of those organizations? Yes____ No____

RETURN WITH BID

**Contract No. QU020
Quad City International Airport
Moline, Illinois
Rock Island County
Illinois Project No. MLI-4482
SBG Project No. 3-17-0068-XX**

PROPOSAL SIGNATURE SHEET

The undersigned bidder hereby makes and submits this bid on the subject Proposal, thereby assuring the Department that all requirements of the Invitation for Bids and rules of the Department have been met, that there is no misunderstanding of the requirements of paragraph 3 of this Proposal, and that the contract will be executed in accordance with the rules of the Department if an award is made on this bid.

Firm Name _____

(IF AN INDIVIDUAL) Signature of Owner _____

Business Address _____

Firm Name _____

By _____

(IF A CO-PARTNERSHIP) Business Address _____

Name and Address of All Members of the Firm:

Corporate Name _____

By _____

Signature of Authorized Representative _____

(IF A CORPORATION) Typed or printed name and title of Authorized Representative _____

(IF A JOINT VENTURE, USE THIS SECTION FOR THE MANAGING PARTY AND THE SECOND PARTY SHOULD SIGN BELOW) Attest _____

Signature _____

Business Address _____

Corporate Name _____

By _____

Signature of Authorized Representative _____

(IF A JOINT VENTURE) Typed or printed name and title of Authorized Representative _____

Attest _____

Signature _____

Business Address _____

If more than two parties are in the joint venture, please attach additional signature sheet



Sponsor _____ Item No. _____

IL Proj. No. _____ SBG Pr. No. _____ Letting Date _____

KNOW ALL MEN BY THESE PRESENTS, That We _____

_____ as PRINCIPAL, and _____

_____ as SURETY, are held jointly, severally and firmly bound unto the SPONSOR identified above, in the penal sum of 5 percent of the total bid price, or for the amount specified in Section 6, Proposal Guaranty of the Proposal Document, whichever is the lesser sum, well and truly to be paid unto said SPONSOR, for the payment of which we bind ourselves, our heirs, executors, administrators, successors and assigns.

THE CONDITION OF THE FOREGOING OBLIGATION IS SUCH, that whereas, the PRINCIPAL has submitted a bid proposal to the SPONSOR through its AGENT, the State of Illinois, Department of Transportation, Division of Aeronautics, for the improvement designated by the Transportation Bulletin Item Number and Letting Date indicated above.

NOW, THEREFORE, if the SPONSOR through its AGENT shall accept the bid proposal of the PRINCIPAL; and if the PRINCIPAL shall, and as specified in the bidding and contract documents, submit a DBE Utilization Plan that is accepted and approved by the AGENT; and if, after the award by AGENT on behalf of SPONSOR, the PRINCIPAL shall enter into a contract in accordance with the terms of the bidding and contract documents, including evidence of the required insurance coverages and providing such bond as specified with good and sufficient surety for the faithful performance of such contract and for the prompt payment of labor and material furnished in the prosecution thereof; or if, in the event of the failure of the PRINCIPAL to make the required DBE submission or to enter into such contract and to give the specified bond, the PRINCIPAL pays to the SPONSOR the difference not to exceed the penalty hereof between the amount specified in the bid proposal and such larger amount for which the SPONSOR may contract with another party to perform the work covered by said bid proposal, then this obligation shall be null and void, otherwise, it shall remain in full force and effect.

IN THE EVENT the SPONSOR acting through its AGENT determines the PRINCIPAL has failed to comply with any requirement as set forth in the preceding paragraph, then SURETY shall pay the penal sum to the SPONSOR within fifteen (15) days of written demand therefor. If SURETY does not make full payment within such period of time, the AGENT may bring an action to collect the amount owed. SURETY is liable to the SPONSOR and to the AGENT for all its expenses, including attorney's fees, incurred in any litigation in which SPONSOR or AGENT prevail either in whole or in part.

In TESTIMONY WHEREOF, the said PRINCIPAL and the said SURETY have caused this instrument to be signed by their respective officers _____ day of _____ A.D., _____ .

PRINCIPAL

SURETY

(Company Name)

(Company Name)

By _____
(Signature & Title)

By: _____
(Signature of Attorney-in-Fact)

Notary Certification for Principal and Surety

STATE OF ILLINOIS,
County of _____

I, _____, a Notary Public in and for said County, do hereby certify that _____ and _____
(Insert names of individuals signing on behalf of PRINCIPAL & SURETY)

who are each personally known to me to be the same persons whose names are subscribed to the foregoing instrument on behalf of PRINCIPAL and SURETY, appeared before me this day in person and acknowledged respectively, that they signed and delivered said instrument as their free and voluntary act for the uses and purposes therein set forth.

Given under my hand and notarial seal this _____ day of _____ A.D. _____

My commission expires _____

Notary Public

In lieu of completing the above section of the Proposal Bid Form, the Principal may file an Electronic Bid Bond. By signing the proposal and marking the check box next to the Signature and Title line below, the Principal is ensuring the identified electronic bid bond has been executed and the Principal and Surety are firmly bound unto the SPONSOR through its AGENT under the conditions of the bid bond as shown above.

Electronic Bid Bond ID# _____ Company / Bidder Name _____ Signature and Title _____



RETURN WITH BID

Division of Highways
Proposal Bid Bond

Item No. _____

Letting Date _____

KNOW ALL PERSONS BY THESE PRESENTS, That We _____

as PRINCIPAL, and _____

as SURETY, and held jointly, severally and firmly bound unto the STATE OF ILLINOIS in the penal sum of 5 percent of the total bid price, or for the amount specified in the bid proposal under "Proposal Guaranty" in effect on the date of the Invitation for Bids, whichever is the lesser sum, well and truly to be paid unto said STATE OF ILLINOIS, for the payment of which we bind ourselves, our heirs, executors, administrators, successors and assigns.

THE CONDITION OF THE FOREGOING OBLIGATION IS SUCH that whereas, the PRINCIPAL has submitted a bid proposal to the STATE OF ILLINOIS, acting through the Department of Transportation, for the improvement designated by the Transportation Bulletin Item Number and Letting Date indicated above.

NOW, THEREFORE, if the Department shall accept the bid proposal of the PRINCIPAL; and if the PRINCIPAL shall, within the time and as specified in the bidding and contract documents; and if, after award by the Department, the PRINCIPAL shall enter into a contract in accordance with the terms of the bidding and contract documents including evidence of the required insurance coverages and providing such bond as specified with good and sufficient surety for the faithful performance of such contract and for the prompt payment of labor and material furnished in the prosecution thereof; or if, in the event of the failure of the PRINCIPAL to enter into such contract and to give the specified bond, the PRINCIPAL pays to the Department the difference not to exceed the penalty hereof between the amount specified in the bid proposal and such larger amount for which the Department may contract with another party to perform the work covered by said bid proposal, then this obligation shall be null and void, otherwise, it shall remain in full force and effect.

IN THE EVENT the Department determines the PRINCIPAL has failed to comply with any requirement as set forth in the preceding paragraph, then Surety shall pay the penal sum to the Department within fifteen (15) days of written demand therefor. If Surety does not make full payment within such period of time, the Department may bring an action to collect the amount owed. Surety is liable to the Department for all its expenses, including attorney's fees, incurred in any litigation in which it prevails either in whole or in part.

In TESTIMONY WHEREOF, the said PRINCIPAL has caused this instrument to be signed by its officer _____ day of _____ A.D., _____.

In TESTIMONY WHEREOF, the said SURETY has caused this instrument to be signed by its officer _____ day of _____ A.D., _____.

(Company Name)

(Company Name)

By _____
(Signature and Title)

By _____
(Signature of Attorney-in-Fact)

Notary for PRINCIPAL

Notary for SURETY

STATE OF _____
COUNTY OF _____

STATE OF _____
COUNTY OF _____

Signed and attested before me on _____ (date)
by _____

Signed and attested before me on _____ (date)
by _____

(Name of Notary Public)

(Name of Notary Public)

(Seal) _____
(Signature of Notary Public)

(Seal) _____
(Signature of Notary Public)

(Date Commission Expires)

(Date Commission Expires)

In lieu of completing the above section of the Proposal Bid Bond form, the Principal may file an Electronic Bid Bond. By signing the proposal the Principal is ensuring the identified electronic bid bond has been executed and the Principal and Surety are firmly bound unto the State of Illinois under the conditions of the bid bond as shown above.

Electronic Bid Bond ID # _____ Company/Bidder Name _____ Signature and Title _____



(1) Policy

It is public policy that disadvantageded businesses as defined in 49 CFR Part 26 and the Special Provision shall have the maximum opportunity to participate in the performance of contracts financed in whole or in part with Federal or State funds. Consequently the requirements of 49 CFR Part 26 apply to this contract.

(2) Obligation

The contractor agrees to ensure that disadvantageded businesses as defined in 49 CFR Part 26 and the Special Provision have the maximum opportunity to participate in the performance of contracts or subcontracts financed in whole or in part with Federal or State funds. The contractor shall take all necessary and reasonable steps in accordance with 49 CFR Part 26 and the Special Provision to ensure that said businesses have the maximum opportunity to compete for and perform under this contract. The contractor shall not discriminate on the basis of race, color, national origin or sex in the award and performance of contracts.

(3) Project and Bid Identification

Complete the following information concerning the project and bid:

Route Quad City International Airport

Section _____

Project MLI-4482

County Rock Island County

Letting Date July 31, 2015

Contract No. QU020

Letting Item No. 12A

Total Bid _____

Contract DBE Goal 17.0% _____

(Percent) (Dollar Amount)

(4) Assurance

I, acting in my capacity as an officer of the undersigned bidder (or bidders if a joint venture), hereby assure the Department that on this project my company : (check one)

- Meets or exceeds contract award goals and has provided documented participation as follows:
Disadvantaged Business Participation _____ percent

Attached are the signed participation statements, forms SBE 2025, required by the Special Provision evidencing availability and use of each business participating in this plan and assuring that each business will perform a commercially useful function in the work of the contract.

- Failed to meet contract award goals and has included good faith effort documentation to meet the goals and that my company has provided participation as follows:

Disadvantaged Business Participation _____ percent

The contract goals should be accordingly modified or waived. Attached is all information required by the Special Provision in support of this request including good faith effort. Also attached are the signed participation statements, forms SBE 2025, required by the Special Provision evidencing availability and use of each business participating in this plan and assuring that each business will perform a commercially useful function in the work of the contract.

Company

By _____

Title _____

Date _____

The "as read" Low Bidder is required to comply with the Special Provision.

Submit only one utilization plan for each project. The utilization plan shall be submitted in accordance with the special provision.

Bureau of Small Business Enterprises
2300 South Dirksen Parkway
Springfield, Illinois 62764

Local Let Projects
Submit forms to the
Local Agency

The Department of Transportation is requesting disclosure of information that is necessary to accomplish the purpose as outlined under State and Federal law. Disclosure of this information is **REQUIRED**. Failure to provide any information will result in the contract not being awarded. This form has been approved by the State Forms Manager Center.



DBE Participation Statement

Subcontractor Registration Number _____

Letting July 31, 2015

Participation Statement

Item No. 12A

(1) Instructions

Contract No. QU020

This form must be completed for each disadvantaged business participating in the Utilization Plan. This form shall be submitted in accordance with the special provision and will be attached to the Utilization Plan form. If additional space is needed complete an additional form for the firm. Trucking participation items; description must list what is anticipated towards goal credit.

(2) Work:

Please indicate: J/V _____ Manufacturer _____ Supplier (60%) _____ Subcontractor _____ Trucking _____

Pay Item No.	Description (Anticipated items for trucking)*	Quantity	Unit Price	Total
Total				

(3) Partial Payment Items (For any of the above items which are partial pay items)

Description must be sufficient to determine a Commercially Useful Function, specifically describe the work and subcontract dollar amount:

*Applies to trucking only

(4) Commitment

When a DBE is to be a second-tier subcontractor, or if the first-tier DBE subcontractor is going to be subcontracting a portion of its subcontract, it must be clearly indicated on the DBE Participation Statement, and the details of the transaction fully explained.

In the event a DBE subcontractor second-tiers a portion of its subcontract to one or more subcontractors during the work of a contract, the prime must submit a DBE Participation Statement, with the details of the transaction(s) fully explained.

The undersigned certify that the information included herein is true and correct, and that the DBE firm listed below has agreed to perform a commercially useful function in the work of the contract item(s) listed above and to execute a contract with the prime contractor or 1st Tier subcontractor. The undersigned further understand that no changes to this statement may be made without prior approval from the Department's Bureau of Small Business Enterprises and that complete and accurate information regarding actual work performed on this project and the payment therefore must be provided to the Department.

Signature for Contractor __ 1st Tier __ 2nd Tier

Signature for DBE Firm __ 1st Tier __ 2nd Tier

Date _____

Date _____

Contact _____

Contact _____

Title _____

Title _____

Firm Name _____

Firm Name _____

Address _____

Address _____

City/State/Zip _____

City/State/Zip _____

Phone _____

Phone _____

Email Address _____

Email Address _____

The Department of Transportation is requesting disclosure of information that is necessary to accomplish the statutory purpose as outlined under the state and federal law. Disclosure of this information is **REQUIRED**. Failure to provide any information will result in the contract not being awarded. This form has been approved by the State Forms Management Center.

E _____
WC _____

PROPOSAL ENVELOPE



PROPOSALS

for construction work advertised for bids by the
Illinois Department of Transportation

Item No.	Item No.	Item No.

Submitted By:

Name:
Address:
Phone No.

Bidders should use an IDOT proposal envelope or affix this form to the front of a 10" x 13" envelope for the submittal of bids. If proposals are mailed, they should be enclosed in a second or outer envelope addressed to:

Engineer of Design and Environment - Room 326
Illinois Department of Transportation
2300 South Dirksen Parkway
Springfield, Illinois 62764

NOTICE

Individual bids, including Bid Bond and/or supplemental information if required, should be securely stapled.

CONTRACTOR OFFICE COPY OF CONTRACT SPECIFICATIONS

NOTICE

None of the following material needs to be returned with the bid package unless the special provisions require documentation and/or other information to be submitted.

**Contract No. QU020
Quad City International Airport
Moline, Illinois
Rock Island County
Illinois Project No. MLI-4482
SBG Project No. 3-17-0068-XX**



Illinois Department of Transportation

SUBCONTRACTOR DOCUMENTATION

Public Acts 96-0795, 96-0920, and 97-0895 enacted substantial changes to the provisions of the Code (30 ILCS 500). Among the changes are provisions affecting subcontractors. The Contractor awarded this contract will be required as a material condition of the contract to implement and enforce the contract requirements applicable to subcontractors that entered into a contractual agreement with a total value of \$50,000 or more with a person or entity who has a contract subject to the Code and approved in accordance with Section 80-01 of the Illinois Standard Specifications for Construction of Airports.

If the Contractor seeks approval of subcontractors to perform a portion of the work, and approval is granted by the Department, the Contractor shall provide a copy of the subcontract to the Illinois Department of Transportation's CPO upon request within 15 calendar days after execution of the subcontract.

Financial disclosures required pursuant to Section 50-35 of the Code must be submitted for all applicable subcontractors. The subcontract shall contain the certifications required to be made by subcontractors pursuant to Article 50 of the Code. This Notice to Bidders includes a document incorporating all required subcontractor certifications and disclosures for use by the Contractor in compliance with this mandate. The document is entitled State Required Ethical Standards Governing Subcontractors.

RETURN WITH SUBCONTRACT

STATE ETHICAL STANDARDS GOVERNING SUBCONTRACTORS

Article 50 of the Code establishes the duty of all State CPOs, SPOs, and their designees to maximize the value of the expenditure of public moneys in procuring goods, services, and contracts for the State of Illinois and to act in a manner that maintains the integrity and public trust of State government. In discharging this duty, they are charged by law to use all available information, reasonable efforts, and reasonable actions to protect, safeguard, and maintain the procurement process of the State of Illinois.

The certifications hereinafter made by the subcontractor are each a material representation of fact upon which reliance is placed should the Department approve the subcontractor. The CPO may terminate or void the contract approval if it is later determined that the bidder or subcontractor rendered a false or erroneous certification. If a false certification is made by a subcontractor the contractor's submitted bid and the executed contract may not be declared void unless the contractor refuses to terminate the subcontract upon the State's request after a finding that the subcontractor's certification was false.

Section 50-2 of the Code provides that every person that has entered into a multi-year contract and every subcontractor with a multi-year subcontract shall certify, by July 1 of each fiscal year covered by the contract after the initial fiscal year, to the responsible CPO whether it continues to satisfy the requirements of Article 50 pertaining to the eligibility for a contract award. If a contractor or subcontractor is not able to truthfully certify that it continues to meet all requirements, it shall provide with its certification a detailed explanation of the circumstances leading to the change in certification status. A contractor or subcontractor that makes a false statement material to any given certification required under Article 50 is, in addition to any other penalties or consequences prescribed by law, subject to liability under the Whistleblower Reward and Protection Act for submission of a false claim.

A. Bribery

Section 50-5. Bribery.

(a) Prohibition. No person or business shall be awarded a contract or subcontract under this Code who:

(1) has been convicted under the laws of Illinois or any other state of bribery or attempting to bribe an officer or employee of the State of Illinois or any other state in that officer's or employee's official capacity; or

(2) has made an admission of guilt of that conduct that is a matter of record but has not been prosecuted for that conduct.

(b) Businesses. No business shall be barred from contracting with any unit of State or local government, or subcontracting under such a contract, as a result of a conviction under this Section of any employee or agent of the business if the employee or agent is no longer employed by the business and:

(1) the business has been finally adjudicated not guilty; or

(2) the business demonstrates to the governmental entity with which it seeks to contract, or which is signatory to the contract to which the subcontract relates, and that entity finds that the commission of the offense was not authorized, requested, commanded, or performed by a director, officer, or high managerial agent on behalf of the business as provided in paragraph (2) of subsection (a) of Section 5-4 of the Criminal Code of 2012.

(c) Conduct on behalf of business. For purposes of this Section, when an official, agent, or employee of a business committed the bribery or attempted bribery on behalf of the business and in accordance with the direction or authorization of a responsible official of the business, the business shall be chargeable with the conduct.

(d) Certification. Every bid submitted to and contract executed by the State, and every subcontract subject to Section 20-120 of the Code shall contain a certification by the contractor or the subcontractor, respectively, that the contractor or subcontractor is not barred from being awarded a contract or subcontract under this Section and acknowledges that the CPO may declare the related contract void if any certifications required by this Section are false. A contractor who makes a false statement, material to the certification, commits a Class 3 felony.

The contractor or subcontractor certifies that it is not barred from being awarded a contract under Section 50-5.

B. Felons

Section 50-10. Felons.

(a.) Unless otherwise provided, no person or business convicted of a felony shall do business with the State of Illinois or any State agency, or enter into a subcontract, from the date of conviction until 5 years after the date of completion of the sentence for that felony, unless no person held responsible by a prosecutorial office for the facts upon which the conviction was based continues to have any involvement with the business.

(b.) Certification. Every bid submitted to and contract executed by the State and every subcontract subject to Section 20-120 of the Code shall contain a certification by the bidder or contractor or subcontractor, respectively, that the bidder, contractor, or subcontractor is not barred from being awarded a contract or subcontract under this Section and acknowledges that the CPO may declare the related contract void if any of the certifications required by this Section are false.

RETURN WITH SUBCONTRACT

C. Debt Delinquency

Section 50-11 and 50-12. Debt Delinquency.

The contractor or bidder or subcontractor, respectively, certifies that it, or any affiliate, is not barred from being awarded a contract or subcontract under the Code. Section 50-11 prohibits a person from entering into a contract with a State agency, or entering into a subcontract, if it knows or should know that it, or any affiliate, is delinquent in the payment of any debt to the State as defined by the Debt Collection Board. Section 50-12 prohibits a person from entering into a contract with a State agency, or entering into a subcontract, if it, or any affiliate, has failed to collect and remit Illinois Use Tax on all sales of tangible personal property into the State of Illinois in accordance with the provisions of the Illinois Use Tax Act. The bidder or contractor or subcontractor, respectively, further acknowledges that the CPO may declare the related contract void if this certification is false or if the bidder, contractor, or subcontractor, or any affiliate, is determined to be delinquent in the payment of any debt to the State during the term of the contract.

D. Prohibited Bidders, Contractors and Subcontractors

Section 50-10.5 and 50-60(c). Prohibited bidders, contractors and subcontractors.

The bidder or contractor or subcontractor, respectively, certifies in accordance with 30 ILCS 500/50-10.5 that no officer, director, partner or other managerial agent of the contracting business has been convicted of a felony under the Sarbanes-Oxley Act of 2002 or a Class 3 or Class 2 felony under the Illinois Securities Law of 1953 or if in violation of Subsection (c) for a period of five years from the date of conviction. Every bid submitted to and contract executed by the State and every subcontract subject to Section 20-120 of the Code shall contain a certification by the bidder, contractor, or subcontractor, respectively, that the bidder, contractor, or subcontractor is not barred from being awarded a contract or subcontract under this Section and acknowledges that the CPO shall declare the related contract void if any of the certifications completed pursuant to this Section are false.

E. Section 42 of the Environmental Protection Act

The bidder or contractor or subcontractor, respectively, certifies in accordance with 30 ILCS 500/50-14 that the bidder, contractor, or subcontractor, is not barred from being awarded a contract or entering into a subcontract under this Section which prohibits the bidding on or entering into contracts with the State of Illinois or a State agency, or entering into any subcontract, that is subject to the Code by a person or business found by a court or the Pollution Control Board to have committed a willful or knowing violation of Section 42 of the Environmental Protection Act for a period of five years from the date of the order. The bidder or contractor or subcontractor, respectively, acknowledges that the CPO may declare the contract void if this certification is false.

The undersigned, on behalf of the subcontracting company, has read and understands the above certifications and makes the certifications as required by law.

<hr/>		
Name of Subcontracting Company		
<hr/>		<hr/>
Authorized Officer		Date

RETURN WITH SUBCONTRACT

SUBCONTRACTOR DISCLOSURES

I. DISCLOSURES

- A. The disclosures hereinafter made by the subcontractor are each a material representation of fact upon which reliance is placed. The subcontractor further certifies that the Department has received the disclosure forms for each subcontract.

The CPO may void the bid, contract, or subcontract, respectively, if it is later determined that the bidder or subcontractor rendered a false or erroneous disclosure. A contractor or subcontractor may be suspended or debarred for violations of the Code. Furthermore, CPO may void the contract.

B. Financial Interests and Conflicts of Interest

1. Section 50-35 of the Code provides that all subcontracts with a total value of \$50,000 or more from subcontractors identified in Section 20-120 of the Code shall be accompanied by disclosure of the financial interests of the subcontractor. This disclosed information for the subcontractor, will be maintained as public information subject to release by request pursuant to the Freedom of Information Act, filed with the Procurement Policy Board, and shall be incorporated as a material term of the Prime Contractor's contract. Furthermore, pursuant to this Section, the Procurement Policy Board may recommend to allow or void a contract or subcontract based on a potential conflict of interest.

The financial interests to be disclosed shall include ownership or distributive income share that is in excess of 5%, or an amount greater than 60% of the annual salary of the Governor, of the subcontracting entity or its parent entity, whichever is less, unless the subcontractor is a publicly traded entity subject to Federal 10K reporting, in which case it may submit its 10K disclosure in place of the prescribed disclosure. If a subcontractor is a privately held entity that is exempt from Federal 10K reporting, but has more than 100 shareholders, it may submit the information that Federal 10K companies are required to report, and list the names of any individual or entity holding any ownership share that is in excess of 5%. The disclosure shall include the names, addresses, and dollar or proportionate share of ownership of each Individual making the disclosure, their instrument of ownership or beneficial relationship, and notice of any potential conflict of interest resulting from the current ownership or beneficial interest of each individual making the disclosure having any of the relationships identified in Section 50-35 and on the disclosure form.

The current annual salary of the Governor is \$177,412.00.

In addition, all disclosures shall indicate any other current or pending contracts, subcontracts, proposals, leases, or other ongoing procurement relationships the subcontracting entity has with any other unit of state government and shall clearly identify the unit and the contract, subcontract, proposal, lease, or other relationship.

2. Disclosure Forms. Disclosure Form A is attached for use concerning the individuals meeting the above ownership or distributive share requirements. A separate Disclosure Form A must be submitted with the bid for each individual meeting the above requirements. In addition, a second form (Disclosure Form B) provides for the disclosure of current or pending procurement relationships with other (non-IDOT) state agencies and a total ownership certification. **The forms must be included with each bid.**

C. Disclosure Form Instructions

Form A Instructions for Financial Information & Potential Conflicts of Interest

If the subcontractor is a publicly traded entity subject to Federal 10K reporting, the 10K Report may be submitted to meet the requirements of Form A. If a subcontractor is a privately held entity that is exempt from Federal 10K reporting, but has more than 100 shareholders, it may submit the information that Federal 10K companies are required to report, and list the names of any individual or entity holding any ownership share that is in excess of 5%. If a subcontractor is not subject to Federal 10K reporting, the subcontractor must determine if any individuals are required by law to complete a financial disclosure form. To do this, the subcontractor should answer each of the following questions. A "YES" answer indicates Form A must be completed. If the answer to each of the following questions is "NO", then the NOT APPLICABLE STATEMENT on the second page of Form A must be signed and dated by an individual that is authorized to execute contracts for the subcontracting company. Note: These questions are for assistance only and are not required to be completed.

1. Does anyone in your organization have a direct or beneficial ownership share of greater than 5% of the bidding entity or parent entity?
YES _____ NO _____
2. Does anyone in your organization have a direct or beneficial ownership share of less than 5%, but which has a value greater than 60% of the annual salary of the Governor? YES _____ NO _____
3. Does anyone in your organization receive more than 60% of the annual salary of the Governor of the subcontracting entity's or parent entity's distributive income? (Note: Distributive income is, for these purposes, any type of distribution of profits. An annual salary is not distributive income.) YES _____ NO _____
4. Does anyone in your organization receive greater than 5% of the subcontracting entity's or parent entity's total distributive income, but which is less than 60% of the annual salary of the Governor? YES _____ NO _____

(Note: Only one set of forms needs to be completed per individual per subcontract even if a specific individual would require a yes answer to more than one question.)

A "YES" answer to any of these questions requires the completion of Form A. The subcontractor must determine each individual in the subcontracting entity or the subcontracting entity's parent company that would cause the questions to be answered "Yes". Each form must be signed and dated by an individual that is authorized to execute contracts for your organization. The individual signing can be, but does not have to be, the individual for which the form is being completed. The subcontractor is responsible for the accuracy of any information provided.

If the answer to each of the above questions is "NO", then the NOT APPLICABLE STATEMENT on page 2 of Form A must be signed and dated by an individual that is authorized to execute contracts for your company.

RETURN WITH SUBCONTRACT

Form B: Instructions for Identifying Other Contracts & Procurement Related Information

Disclosure Form B must be completed for each subcontract submitted by the subcontracting entity. *Note: Checking the NOT APPLICABLE STATEMENT on Form A does not allow the subcontractor to ignore Form B. Form B must be completed, checked, and dated or the subcontract will not be approved.*

The Subcontractor shall identify, by checking Yes or No on Form B, whether it has any pending contracts, subcontracts, leases, bids, proposals, or other ongoing procurement relationship with any other (non-IDOT) State of Illinois agency. If "No" is checked, the subcontractor only needs to complete the check box on the bottom of Form B. If "Yes" is checked, the subcontractor must list all non-IDOT State of Illinois agency pending contracts, subcontracts, leases, bids, proposals, and other ongoing procurement relationships. These items may be listed on Form B or on an attached sheet(s). Contracts with cities, counties, villages, etc. are not considered State of Illinois agency contracts and are not to be included. Contracts or subcontracts with other State of Illinois agencies such as the Department of Natural Resources or the Capital Development Board must be included.

**ILLINOIS DEPARTMENT
OF TRANSPORTATION**

**Form A
Subcontractor: Financial
Information & Potential Conflicts
of Interest Disclosure**

Subcontractor Name		
Legal Address		
City, State, Zip		
Telephone Number	Email Address	Fax Number (if available)

Disclosure of the information contained in this Form is required by Section 50-35 of the Code (30 ILCS 500). Subcontractors desiring to enter into a subcontract of a State of Illinois contract must disclose the financial information and potential conflict of interest information as specified in this Disclosure Form. This information shall become part of the publicly available contract file. This Form A must be completed for subcontracts with a total value of \$50,000 or more, from subcontractors identified in Section 20-120 of the Code, and for all open-ended contracts. **A publicly traded company may submit a 10K disclosure (or equivalent if applicable) in satisfaction of the requirements set forth in Form A. See Disclosure Form Instructions.**

The current annual salary of the Governor is \$177,412.00.

DISCLOSURE OF FINANCIAL INFORMATION

1. Disclosure of Financial Information. The individual named below has an interest in the SUBCONTRACTOR (or its parent) in terms of ownership or distributive income share in excess of 5%, or an interest which has a value of more than 60% of the annual salary of the Governor. **(Make copies of this form as necessary and attach a separate Disclosure Form A for each individual meeting these requirements)**

FOR INDIVIDUAL (type or print information)	
NAME:	_____
ADDRESS	_____
Type of ownership/distributable income share:	
stock _____	sole proprietorship _____ Partnership _____ other: (explain on separate sheet):
% or \$ value of ownership/distributable income share: _____	

2. Disclosure of Potential Conflicts of Interest. Check "Yes" or "No" to indicate which, if any, of the following potential conflict of interest relationships apply. If the answer to any question is "Yes", please attach additional pages and describe.

(a) State employment, currently or in the previous 3 years, including contractual employment of services. Yes _____ No _____

If your answer is yes, please answer each of the following questions.

- Are you currently an officer or employee of either the Capitol Development Board or the Illinois State Toll Highway Authority? Yes _____ No _____
- Are you currently appointed to or employed by any agency of the State of Illinois? If you are currently appointed to or employed by any agency of the State of Illinois, and your annual salary exceeds 60% of the annual salary of the Governor, provide the name the State agency for which you are employed and your annual salary _____

RETURN WITH SUBCONTRACT

- 3. If you are currently appointed to or employed by any agency of the State of Illinois, and your annual salary exceeds 60% of the annual salary of the Governor, are you entitled to receive (i) more than 7 1/2% of the total distributable income of your firm, partnership, association or corporation, or (ii) an amount in excess of 100% of the annual salary of the Governor? Yes _____ No _____
- 4. If you are currently appointed to or employed by any agency of the State of Illinois, and your annual salary exceeds 60% of the annual salary of the Governor, are you and your spouse or minor children entitled to receive (i) more than 15 % in the aggregate of the total distributable income of your firm, partnership, association or corporation, or (ii) an amount in excess of two times the salary of the Governor? Yes _____ No _____

(b) State employment of spouse, father, mother, son, or daughter, including contractual employment services in the previous 2 years. Yes _____ No _____

If your answer is yes, please answer each of the following questions.

- 1. Is your spouse or any minor children currently an officer or employee of the Capitol Development Board or the Illinois State Toll Highway Authority? Yes _____ No _____
- 2. Is your spouse or any minor children currently appointed to or employed by any agency of the State of Illinois? If your spouse or minor children is/are currently appointed to or employed by any agency of the State of Illinois, and his/her annual salary exceeds 60% of the annual salary of the Governor, provide the name of your spouse and/or minor children, the name of the State agency for which he/she is employed and his/her annual salary. _____
- 3. If your spouse or any minor children is/are currently appointed to or employed by any agency of the State of Illinois, and his/her annual salary exceeds 60% of the annual salary of the Governor, are you entitled to receive (i) more than 7 1/2% of the total distributable income of your firm, partnership, association or corporation, or (ii) an amount in excess of the salary of the Governor? Yes _____ No _____
- 4. If your spouse or any minor children are currently appointed to or employed by any agency of the State of Illinois, and his/her annual salary exceeds 60% of the annual salary of the Governor, are you and your spouse or minor children entitled to receive (i) more than 15 % in the aggregate of the total distributable income of your firm, partnership, association or corporation, or (ii) an amount in excess of 2 times the salary of the Governor? Yes _____ No _____

(c) Elective status; the holding of elective office of the State of Illinois, the government of the United States, any unit of local government authorized by the Constitution of the State of Illinois or the statutes of the State of Illinois currently or in the previous 3 years. Yes _____ No _____

(d) Relationship to anyone holding elective office currently or in the previous 2 years; spouse, father, mother, son, or daughter. Yes _____ No _____

(e) Appointive office; the holding of any appointive government office of the State of Illinois, the United States of America, or any unit of local government authorized by the Constitution of the State of Illinois or the statutes of the State of Illinois, which office entitles the holder to compensation in excess of the expenses incurred in the discharge of that office currently or in the previous 3 years. Yes _____ No _____

(f) Relationship to anyone holding appointive office currently or in the previous 2 years; spouse, father, mother, son, or daughter. Yes _____ No _____

(g) Employment, currently or in the previous 3 years, as or by any registered lobbyist of the State government. Yes _____ No _____

RETURN WITH SUBCONTRACT

(h) Relationship to anyone who is or was a registered lobbyist in the previous 2 years; spouse, father, mother, son, or daughter. Yes _____ No _____

(i) Compensated employment, currently or in the previous 3 years, by any registered election or reelection committee registered with the Secretary of State or any county clerk of the State of Illinois, or any political action committee registered with either the Secretary of State or the Federal Board of Elections. Yes _____ No _____

(j) Relationship to anyone; spouse, father, mother, son, or daughter; who was a compensated employee in the last 2 years by any registered election or re-election committee registered with the Secretary of State or any county clerk of the State of Illinois, or any political action committee registered with either the Secretary of State or the Federal Board of Elections. Yes _____ No _____

3. Communication Disclosure.

Disclose the name and address of each lobbyist and other agent of the bidder or offeror who is not identified in Section 2 of this form, who has communicated, is communicating, or may communicate with any State officer or employee concerning the bid or offer. This disclosure is a continuing obligation and must be promptly supplemented for accuracy throughout the process and throughout the term of the contract. If no person is identified, enter "None" on the line below:

Name and address of person(s): _____

RETURN WITH SUBCONTRACT

4. Debarment Disclosure. For each of the persons identified under Sections 2 and 3 of this form, disclose whether any of the following has occurred within the previous 10 years: debarment from contracting with any governmental entity; professional licensure discipline; bankruptcies; adverse civil judgments and administrative findings; and criminal felony convictions. This disclosure is a continuing obligation and must be promptly supplemented for accuracy throughout the procurement process and term of the contract. If no person is identified, enter "None" on the line below:

Name of person(s): _____

Nature of disclosure: _____

APPLICABLE STATEMENT

This Disclosure Form A is submitted on behalf of the INDIVIDUAL named on previous page. Under penalty of perjury, I certify the contents of this disclosure to be true and accurate to the best of my knowledge.

Completed by:

Signature of Individual or Authorized Officer

Date

NOT APPLICABLE STATEMENT

Under penalty of perjury, I have determined that no individuals associated with this organization meet the criteria that would require the completion of this Form A.

This Disclosure Form A is submitted on behalf of the SUBCONTRACTOR listed on the previous page.

Signature of Authorized Officer

Date

RETURN WITH SUBCONTRACT

ILLINOIS DEPARTMENT OF TRANSPORTATION

Form B
Subcontractor: Other Contracts & Procurement Related Information Disclosure

Form with fields: Subcontractor Name, Legal Address, City, State, Zip, Telephone Number, Email Address, Fax Number (if available)

Disclosure of the information contained in this Form is required by Section 50-35 of the Code (30 ILCS 500). This information shall become part of the publicly available contract file. This Form B must be completed for subcontracts with a total value of \$50,000 or more, from subcontractors identified in Section 20-120 of the Code, and for all open-ended contracts.

DISCLOSURE OF OTHER CONTRACTS, SUBCONTRACTS, AND PROCUREMENT RELATED INFORMATION

1. Identifying Other Contracts & Procurement Related Information. The SUBCONTRACTOR shall identify whether it has any pending contracts, subcontracts, including leases, bids, proposals, or other ongoing procurement relationship with any other State of Illinois agency: Yes _____ No _____
If "No" is checked, the subcontractor only needs to complete the signature box on the this page.

2. If "Yes" is checked. Identify each such relationship by showing State of Illinois agency name and other descriptive information such as bid or project number (attach additional pages as necessary). SEE DISCLOSURE FORM INSTRUCTIONS:

THE FOLLOWING STATEMENT MUST BE CHECKED

Signature box with fields: Signature of Authorized Officer, Date

OWNERSHIP CERTIFICATION

Please certify that the following statement is true if the individuals for all submitted Form A disclosures do not total 100% of ownership.

Any remaining ownership interest is held by individuals receiving less than \$106,447.20 of the bidding entity's or parent entity's distributive income or holding less than a 5% ownership interest.

Yes No N/A (Form A disclosure(s) established 100% ownership)



NOTICE TO BIDDERS

1. **TIME AND PLACE OF OPENING BIDS.** Sealed proposals for the improvement described herein will be received by the Department of Transportation. Electronic bids are to be submitted to the electronic bidding system (iCX-Integrated Contractors Exchange). Paper-based bids are to be submitted to the Chief Procurement Officer for the Department of Transportation in care of the Chief Contracts Official at the Harry R. Hanley Building, 2300 South Dirksen Parkway in Springfield, Illinois until 10:00 a.m., July 31, 2015. All bids will be gathered, sorted, publicly opened and read in the auditorium at the Department of Transportation's Harry R. Hanley Building shortly after 10:00 a.m.

2. **DESCRIPTION OF WORK.** The proposed improvement is identified and advertised for bids in the Invitation for Bids as:

**Contract No. QU020
Quad City International Airport
Moline, Illinois
Rock Island County
Illinois Project No. MLI-4482
SBG Project No. 3-17-0068-XX**

Construct Taxiway K Connector (K12)

3. **INSTRUCTIONS TO BIDDERS.**

(a) This Notice, the invitation for bids, proposal and letter of award shall, together with all other documents in accordance with Article 10-18 of the Illinois Standard Specifications for Construction of Airports, become part of the contract. Bidders are cautioned to read and examine carefully all documents, to make all required inspections, and to inquire or seek explanation of the same prior to submission of a bid.

(b) State law, and, if the work is to be paid wholly or in part with Federal-aid funds, Federal law requires the bidder to make various certifications as a part of the proposal and contract. By execution and submission of the proposal, the bidder makes the certification contained therein. A false or fraudulent certification shall, in addition to all other remedies provided by law, be a breach of contract and may result in termination of the contract.

4. **AWARD CRITERIA AND REJECTION OF BIDS.** This contract will be awarded within 60 calendar days to the lowest responsive and responsible bidder considering conformity with the terms and conditions established by the Department in the proposal and contract documents. The issuance of plans and proposal forms for bidding based upon a prequalification rating shall not be the sole determinant of responsibility. The Department reserves the right to determine responsibility at the time of award, to reject any or all proposals, to readvertise the proposed improvement, and to waive technicalities.

5. **PRE-BID CONFERENCE.** There will be a mandatory pre-bid conference held at 11:00AM on July 8, 2015 at the Quad City International Airport Main Conference Room in the terminal building, 2200 69th Avenue, Moline, IL 61265. The primary purpose of the pre-bid conference will be to outline FAA P-100, P-110, P-501 and P-605 specifications required for the project. For engineering information, contact Sean Smith, P.E. of Crawford, Murphy & Tilly, Inc. at (312) 357-2069.

6. **DISADVANTAGED BUSINESS POLICY.** The DBE goal for this contract is 17.0%.

7. **SPECIFICATIONS AND DRAWINGS.** The work shall be done in accordance with the Illinois Standard Specifications for Construction of Airports, the Illinois Division of Aeronautics Supplemental Specifications and Recurring Special Provisions, the Special Provisions dated June 26, 2015 and the Construction Plans dated June 26, 2015 as approved by the Department of Transportation, Division of Aeronautics.

8. BIDDING REQUIREMENTS AND BASIS OF AWARD. When alternates are included in the proposal, the following shall apply:

a. Additive Alternates

(1) Bidders must submit a bid for the Base Bid and for all Additive Alternates.

(2) Award of this contract will be made to the lowest responsible qualified bidder computed as follows:

The lowest aggregate amount of (i) the Base Bid plus (ii) any Additive Alternate(s) which the Department elects to award.

The Department may elect not to award any Additive Alternates. In that case, award will be to the lowest responsible qualified bidder of the Base Bid.

b. Optional Alternates

(1) Bidders must submit a bid for the Base Bid and for either Alternate A or Alternate B or for both Alternate A and Alternate B.

(2) Award of this contract will be made to the lowest responsible qualified bidder computed as follows:

The lower of the aggregate of either (i) the Base Bid plus Alternate A or (ii) the Base Bid plus Alternate B.

9. CONTRACT TIME. The Contractor shall complete all work within the specified contract time. Any calendar day extension beyond the specified contract time must be fully justified, requested by the Contractor in writing, and approved by the Engineer, or be subject to liquidated damages.

The contract time for this contract is 55 calendar days.

10. INDEPENDENT WEIGHT CHECKS. The Department reserves the right to conduct random unannounced independent weight checks on any delivery for bituminous, aggregate or other pay item for which the method of measurement for payment is based on weight. The weight checks will be accomplished by selecting, at random, a loaded truck and obtaining a loaded and empty weight on an independent scale. In addition, the department may perform random weight checks by obtaining loaded and empty truck weights on portable scales operated by department personnel.

11. GOOD FAITH COMPLIANCE. The Illinois Department of Transportation has made a good faith effort to include all statements, requirements, and other language required by federal and state law and by various offices within federal and state governments whether that language is required by law or not. If anything of this nature has been left out or if additional language etc. is later required, the bidder/contractor shall cooperate fully with the Department to modify the contract or bid documents to correct the deficiency. If the change results in increased operational costs, the Department shall reimburse the contractor for such costs as it may find to be reasonable.

By Order of the
Illinois Department of Transportation

Randall S. Blankenhorn
Acting Secretary

ILLINOIS DEPARTMENT OF TRANSPORTATION
DIVISION OF AERONAUTICS

REQUIRED CONTRACT PROVISIONS FOR STATE FUNDED AIRPORT CONSTRUCTION PROJECTS

The following provisions are State of Illinois requirements and are in addition to the REQUIRED CONTRACT PROVISIONS FOR AIRPORT IMPROVEMENT PROGRAM AND FOR OBLIGATED SPONSORS

DISADVANTAGED BUSINESS POLICY

NOTICE: This proposal contains the special provision entitled "Disadvantaged Business Participation." Inclusion of this Special Provision in this contract satisfies the obligations of the Department of Transportation under federal law as implemented by 49 CFR 23 and under the Illinois "Minority and Female Business Enterprise Act."

POLICY: It is public policy that the businesses defined in 49 CFR Part 23 shall have the maximum opportunity to participate in the performance of contracts financed in whole or in part with State or Federal funds. Consequently, the requirements of 49 CFR Part 23 apply to this contract.

OBLIGATION: The Contractor agrees to ensure that the businesses defined in 49 CFR Part 23 have the maximum opportunity to participate in the performance of this contract. In this regard, the Contractor shall take all necessary and reasonable steps, in accordance with 49 CFR Part 23, to ensure that the said businesses have the maximum opportunity to compete for and perform portions of this contract. The Contractor shall not discriminate on the basis of race, color, national origin, or sex in the selection and retention of subcontractors, including procurement of materials and leases of equipment.

The Contractor shall include the above Policy and Obligation statements of this Special Provision in every subcontract, including procurement of materials and leases of equipment.

DBE/WBE CONTRACTOR FINANCE PROGRAM: On contracts where a loan has been obtained through the DBE/WBE Contractor Finance Program, the Contractor shall cooperate with the Department by making all payments due to the DBE/WBE Contractor by means of a two-payee check payable to the Lender (Bank) and the Borrower (DBE/WBE Contractor).

BREACH OF CONTRACT: Failure to carry out the requirements set forth above and in the Special Provision shall constitute a breach of contract and may result in termination of the contract or liquidated damages as provided in the special provision.

SPECIAL PROVISION FOR DISADVANTAGED BUSINESS ENTERPRISE PARTICIPATION (BDE)

Effective: September 1, 2000

Revised: January 2, 2015

FEDERAL OBLIGATION. The Department of Transportation, as a recipient of federal financial assistance, is required to take all necessary and reasonable steps to ensure nondiscrimination in the award and administration of contracts. Consequently, the federal regulatory provisions of 49 CFR Part 26 apply to this contract concerning the utilization of disadvantaged business enterprises. For the purposes of this Special Provision, a disadvantaged business enterprise (DBE) means a business certified by the Department in accordance with the requirements of 49 CFR Part 26 and listed in the Illinois Unified Certification Program (IL UCP) DBE Directory.

STATE OBLIGATION. This Special Provision will also be used by the Department to satisfy the requirements of the Business Enterprise for Minorities, Females, and Persons with Disabilities Act, 30 ILCS 575. When this Special Provision is used to satisfy state law requirements on 100 percent state-funded contracts, the federal government has no involvement in such contracts (not a federal-aid contract) and no responsibility to oversee the implementation of this Special Provision by the Department on those contracts. DBE participation on 100 percent state-funded contracts will not be credited toward fulfilling the Department's annual overall DBE goal required by the US Department of Transportation to comply with the federal DBE program requirements.

CONTRACTOR ASSURANCE. The Contractor makes the following assurance and agrees to include the assurance in each subcontract that the Contractor signs with a subcontractor.

The Contractor, subrecipient, or subcontractor shall not discriminate on the basis of race, color, national origin, or sex in the performance of this contract. The Contractor shall carry out applicable requirements of 49 CFR Part 26 in the award and administration of contracts funded in whole or in part with federal or state funds. Failure by the Contractor to carry out these requirements is a material breach of this contract, which may result in the termination of this contract or such other remedy as the recipient deems appropriate, which may include, but is not limited to:

- (a) Withholding progress payments;
- (b) Assessing sanctions;
- (c) Liquidated damages; and/or
- (d) Disqualifying the Contractor from future bidding as non-responsible.

OVERALL GOAL SET FOR THE DEPARTMENT. As a requirement of compliance with 49 CFR Part 26, the Department has set an overall goal for DBE participation in its federally assisted contracts. That goal applies to all federal-aid funds the Department will expend in its federally assisted contracts for the subject reporting fiscal year. The Department is required to make a good faith effort to achieve the overall goal. The dollar amount paid to all approved DBE companies performing work called for in this contract is eligible to be credited toward fulfillment of the Department's overall goal.

CONTRACT GOAL TO BE ACHIEVED BY THE CONTRACTOR. This contract includes a specific DBE utilization goal established by the Department. The goal has been included because the Department has determined that the work of this contract has subcontracting opportunities that may be suitable for performance by DBE companies. The determination is based on an assessment of the type of work, the location of the work, and the availability of DBE companies to do a part of the work. The assessment indicates that, in the absence of unlawful discrimination, and in an arena of fair and open competition, DBE companies can be expected to perform 17.0% of the work. This percentage is set as the DBE participation goal for this contract. Consequently, in addition to the other award criteria established for this contract, the Department will only award this contract to a bidder who makes a good faith effort to meet this goal of DBE participation in the performance of the work. A bidder makes a good faith effort for award consideration if either of the following is done in accordance with the procedures set for in this Special Provision:

- (a) The bidder documents that enough DBE participation has been obtained to meet the goal or,
- (b) The bidder documents that a good faith effort has been made to meet the goal, even though the effort did not succeed in obtaining enough DBE participation to meet the goal.

DBE LOCATOR REFERENCES. Bidders shall consult the IL UCP DBE Directory as a reference source for DBE-certified companies. In addition, the Department maintains a letting and item specific DBE locator information system whereby DBE companies can register their interest in providing quotes on particular bid items advertised for letting. Information concerning DBE companies willing to quote work for particular contracts may be obtained by contacting the Department's Bureau of Small Business Enterprises at telephone number (217) 785-4611, or by visiting the Department's website at <http://www.idot.illinois.gov/>.

BIDDING PROCEDURES. Compliance with this Special Provision is a material bidding requirement. The failure of the bidder to comply will render the bid not responsive.

- (a) The bidder shall submit a Disadvantaged Business Utilization Plan on Department forms SBE 2025 and 2026 with the bid.
- (b) The Utilization Plan shall indicate that the bidder either has obtained sufficient DBE participation commitments to meet the contract goal or has not obtained enough DBE participation commitments in spite of a good faith effort to meet the goal. The Utilization Plan shall further provide the name, telephone number, and telefax number of a responsible official of the bidder designated for purposes of notification of plan approval or disapproval under the procedures of this Special Provision.
- (c) The Utilization Plan shall include a DBE Participation Commitment Statement, Department form SBE 2025, for each DBE proposed for the performance of work to achieve the contract goal. For bidding purposes, submission of the completed SBE 2025 forms, signed by the DBEs and faxed to the bidder will be acceptable as long as the original is available and provided upon request. All elements of information indicated on the said form shall be provided, including but not limited to the following:
 - (1) The names and addresses of DBE firms that will participate in the contract;
 - (2) A description, including pay item numbers, of the work each DBE will perform;
 - (3) The dollar amount of the participation of each DBE firm participating. The dollar amount of participation for identified work shall specifically state the quantity, unit price, and total subcontract price for the work to be completed by the DBE. If partial pay items are to be performed by the DBE, indicate the portion of each item, a unit price where appropriate and the subcontract price amount;
 - (4) DBE Participation Commitment Statements, form SBE 2025, signed by the bidder and each participating DBE firm documenting the commitment to use the DBE subcontractors whose participation is submitted to meet the contract goal;
 - (5) If the bidder is a joint venture comprised of DBE companies and non-DBE companies, the plan must also include a clear identification of the portion of the work to be performed by the DBE partner(s); and,
 - (6) If the contract goal is not met, evidence of good faith efforts; the documentation of good faith efforts must include copies of each DBE and non-DBE subcontractor quote submitted to the bidder when a non-DBE subcontractor is selected over a DBE for work on the contract.

GOOD FAITH EFFORT PROCEDURES. The contract will not be awarded until the Utilization Plan submitted by the apparent successful bidder is approved. All information submitted by the bidder must be complete, accurate and adequately document that enough DBE participation has been obtained or document that good faith efforts of the bidder, in the event enough DBE participation has not been obtained, before the Department will commit to the performance of the contract by the bidder. The Utilization Plan will be approved by the Department if the Utilization Plan documents sufficient commercially useful DBE work performance to meet the

contract goal or the bidder submits sufficient documentation of a good faith effort to meet the contract goal pursuant to 49 CFR Part 26, Appendix A. The Utilization Plan will not be approved by the Department if the Utilization Plan does not document sufficient DBE participation to meet the contract goal unless the apparent successful bidder documented in the Utilization Plan that it made a good faith effort to meet the goal. This means that the bidder must show that all necessary and reasonable steps were taken to achieve the contract goal. Necessary and reasonable steps are those which, by their scope, intensity and appropriateness to the objective, could reasonably be expected to obtain sufficient DBE participation, even if they were not successful. The Department will consider the quality, quantity, and intensity of the kinds of efforts that the bidder has made. Mere *pro forma* efforts, in other words, efforts done as a matter of form, are not good faith efforts; rather, the bidder is expected to have taken genuine efforts that would be reasonably expected of a bidder actively and aggressively trying to obtain DBE participation sufficient to meet the contract goal.

- (a) The following is a list of types of action that the Department will consider as part of the evaluation of the bidder's good faith efforts to obtain participation. These listed factors are not intended to be a mandatory checklist and are not intended to be exhaustive. Other factors or efforts brought to the attention of the Department may be relevant in appropriate cases, and will be considered by the Department.
- (1) Soliciting through all reasonable and available means (e.g. attendance at pre-bid meetings, advertising and/or written notices) the interest of all certified DBE companies that have the capability to perform the work of the contract. The bidder must solicit this interest within sufficient time to allow the DBE companies to respond to the solicitation. The bidder must determine with certainty if the DBE companies are interested by taking appropriate steps to follow up initial solicitations.
 - (2) Selecting portions of the work to be performed by DBE companies in order to increase the likelihood that the DBE goals will be achieved. This includes, where appropriate, breaking out contract work items into economically feasible units to facilitate DBE participation, even when the prime Contractor might otherwise prefer to perform these work items with its own forces.
 - (3) Providing interested DBE companies with adequate information about the plans, specifications, and requirements of the contract in a timely manner to assist them in responding to a solicitation.
 - (4) a. Negotiating in good faith with interested DBE companies. It is the bidder's responsibility to make a portion of the work available to DBE subcontractors and suppliers and to select those portions of the work or material needs consistent with the available DBE subcontractors and suppliers, so as to facilitate DBE participation. Evidence of such negotiation includes the names, addresses, and telephone numbers of DBE companies that were considered; a description of the information provided regarding the plans and specifications for the work selected for subcontracting; and evidence as to why additional agreements could not be reached for DBE companies to perform the work.
b. A bidder using good business judgment would consider a number of factors in negotiating with subcontractors, including DBE subcontractors, and would take a firm's price and capabilities as well as contract goals into consideration. However, the fact that there may be some additional costs involved in finding and using DBE companies is not in itself sufficient reason for a bidder's failure to meet the contract DBE goal, as long as such costs are reasonable. Also the ability or desire of a bidder to perform the work of a contract with its own organization does not relieve the bidder of the responsibility to make good faith efforts. Bidders are not, however, required to accept higher quotes from DBE companies if the price difference is excessive or unreasonable. In accordance with Section 6 of the above Bidding Procedures, the documentation of good faith efforts must include copies of each DBE and non-DBE subcontractor quote submitted to the bidder when a non-DBE subcontractor was selected over a DBE for work on the contract.
 - (5) Not rejecting DBE companies as being unqualified without sound reasons based on a thorough investigation of their capabilities. The bidder's standing within its industry, membership in specific groups, organizations, or associations and political or social affiliations (for example union vs. non-union employee status) are not legitimate causes for the rejection or non-solicitation of bids in the bidder's efforts to meet the project goal.
 - (6) Making efforts to assist interested DBE companies in obtaining bonding, lines of credit, or insurance as required by the recipient or Contractor.
 - (7) Making efforts to assist interested DBE companies in obtaining necessary equipment, supplies, materials, or related assistance or services.
 - (8) Effectively using the services of available minority/women community organizations; minority/women contractors' groups; local, state, and federal minority/women business assistance offices; and other organizations as allowed on a case-by-case basis to provide assistance in the recruitment and placement of DBE companies.
- (b) If the Department determines that the apparent successful bidder has made a good faith effort to secure the work commitment of DBE companies to meet the contract goal, the Department will award the contract provided that it is otherwise eligible for award. If the Department determines that the bidder has failed to meet the requirements of this Special Provision or that a good faith effort has not been made, the Department will notify the responsible company official designated in the Utilization Plan that the bid is not responsive. The notification shall include a statement of reasons for the determination.

- (c) The bidder may request administrative reconsideration of a determination adverse to the bidder within the five working days after the receipt of the notification date of the determination by delivering the request to the Department of Transportation, Bureau of Small Business Enterprises, Contract Compliance Section, 2300 South Dirksen Parkway, Room 319, Springfield, Illinois 62764 (Telefax: (217) 785-1524). Deposit of the request in the United States mail on or before the fifth business day shall not be deemed delivery. The determination shall become final if a request is not made and delivered. A request may provide additional written documentation or argument concerning the issues raised in the determination statement of reasons, provided the documentation and arguments address efforts made prior to submitting the bid. The request will be forwarded to the Department's Reconsideration Officer. The Reconsideration Officer will extend an opportunity to the bidder to meet in person in order to consider all issues of documentation and whether the bidder made a good faith effort to meet the goal. After the review by the Reconsideration Officer, the bidder will be sent a written decision within ten working days after receipt of the request for consideration, explaining the basis for finding that the bidder did or did not meet the goal or make adequate good faith efforts to do so. A final decision by the Reconsideration Officer that a good faith effort was made shall approve the Utilization Plan submitted by the bidder and shall clear the contract for award. A final decision that a good faith effort was not made shall render the bid not responsive.

CALCULATING DBE PARTICIPATION. The Utilization Plan values represent work anticipated to be performed and paid for upon satisfactory completion. The Department is only able to count toward the achievement of the overall goal and the contract goal the value of payments made for the work actually performed by DBE companies. In addition, a DBE must perform a commercially useful function on the contract to be counted. A commercially useful function is generally performed when the DBE is responsible for the work and is carrying out its responsibilities by actually performing, managing, and supervising the work involved. The Department and Contractor are governed by the provisions of 49 CFR Part 26.55(c) on questions of commercially useful functions as it affects the work. Specific counting guidelines are provided in 49 CFR Part 26.55, the provisions of which govern over the summary contained herein.

- (a) DBE as the Contractor: 100 percent goal credit for that portion of the work performed by the DBE's own forces, including the cost of materials and supplies. Work that a DBE subcontracts to a non-DBE does not count toward the DBE goals.
- (b) DBE as a joint venture Contractor: 100 percent goal credit for that portion of the total dollar value of the contract equal to the distinct, clearly defined portion of the work performed by the DBE's own forces.
- (c) DBE as a subcontractor: 100 percent goal credit for the work of the subcontract performed by the DBE's own forces, including the cost of materials and supplies, excluding the purchase of materials and supplies or the lease of equipment by the DBE subcontractor from the prime Contractor or its affiliates. Work that a DBE subcontractor in turn subcontracts to a non-DBE does not count toward the DBE goal.
- (d) DBE as a trucker: 100 percent goal credit for trucking participation provided the DBE is responsible for the management and supervision of the entire trucking operation for which it is responsible. At least one truck owned, operated, licensed, and insured by the DBE must be used on the contract. Credit will be given for the following:
- (1) The DBE may lease trucks from another DBE firm, including an owner-operator who is certified as a DBE. The DBE who leases trucks from another DBE receives credit for the total value of the transportation services the lessee DBE provides on the contract.
 - (2) The DBE may also lease trucks from a non-DBE firm, including from an owner-operator. The DBE who leases trucks from a non-DBE is entitled to credit only for the fee or commission it receives as a result of the lease arrangement.
- (e) DBE as a material supplier:
- (1) 60 percent goal credit for the cost of the materials or supplies purchased from a DBE regular dealer.
 - (2) 100 percent goal credit for the cost of materials or supplies obtained from a DBE manufacturer.
 - (3) 100 percent credit for the value of reasonable fees and commissions for the procurement of materials and supplies if not a regular dealer or manufacturer.

CONTRACT COMPLIANCE. Compliance with this Special Provision is an essential part of the contract. The Department is prohibited by federal regulations from crediting the participation of a DBE included in the Utilization Plan toward either the contract goal or the Department's overall goal until the amount to be applied toward the goals has been paid to the DBE. The following administrative procedures and remedies govern the compliance by the Contractor with the contractual obligations established by the Utilization Plan. After approval of the Utilization Plan and award of the contract, the Utilization Plan and individual DBE Participation Statements become part of the contract. If the Contractor did not succeed in obtaining enough DBE participation to achieve the advertised contract goal, and the Utilization Plan was approved and contract awarded based upon a determination of good faith, the total dollar value of DBE work calculated in the approved Utilization Plan as a percentage of the awarded contract value shall become the amended contract goal. All work indicated for performance by an approved DBE shall be performed, managed, and supervised by the DBE executing the Participation Statement.

- (a) **NO AMENDMENT.** No amendment to the Utilization Plan may be made without prior written approval from the Department's Bureau of Small Business Enterprises. All requests for amendment to the Utilization Plan shall be submitted to the

- (b) CHANGES TO WORK. Any deviation from the DBE condition-of-award or contract plans, specifications, or special provisions must be approved, in writing, by the Department as provided elsewhere in the Contract. The Contractor shall notify affected DBEs in writing of any changes in the scope of work which result in a reduction in the dollar amount condition-of-award to the contract. Where the revision includes work committed to a new DBE subcontractor, not previously involved in the project, then a Request for Approval of Subcontractor, Department form BC 260A, must be signed and submitted. If the commitment of work is in the form of additional tasks assigned to an existing subcontract, then a new Request for Approval of Subcontractor shall not be required. However, the Contractor must document efforts to assure that the existing DBE subcontractor is capable of performing the additional work and has agreed in writing to the change.
- (c) SUBCONTRACT. The Contractor must provide DBE subcontracts to IDOT upon request. Subcontractors shall ensure that all lower tier subcontracts or agreements with DBEs to supply labor or materials be performed in accordance with this Special Provision.
- (d) ALTERNATIVE WORK METHODS. In addition to the above requirements for reductions in the condition of award, additional requirements apply to the two cases of Contractor-initiated work substitution proposals. Where the contract allows alternate work methods which serve to delete or create underruns in condition of award DBE work, and the Contractor selects that alternate method or, where the Contractor proposes a substitute work method or material that serves to diminish or delete work committed to a DBE and replace it with other work, then the Contractor must demonstrate one of the following:
- (1) That the replacement work will be performed by the same DBE (as long as the DBE is certified in the respective item of work) in a modification of the condition of award; or
 - (2) That the DBE is aware that its work will be deleted or will experience underruns and has agreed in writing to the change. If this occurs, the Contractor shall substitute other work of equivalent value to a certified DBE or provide documentation of good faith efforts to do so; or
 - (3) That the DBE is not capable of performing the replacement work or has declined to perform the work at a reasonable competitive price. If this occurs, the Contractor shall substitute other work of equivalent value to a certified DBE or provide documentation of good faith efforts to do so.
- (e) TERMINATION AND REPLACEMENT PROCEDURES. The Contractor shall not terminate or replace a DBE listed on the approved Utilization Plan, or perform with other forces work designated for a listed DBE except as provided in this Special Provision. The Contractor shall utilize the specific DBEs listed to perform the work and supply the materials for which each is listed unless the Contractor obtains the Department's written consent as provided in subsection (a). Unless Department consent is provided for termination of a DBE subcontractor, the Contractor shall not be entitled to any payment for work or material unless it is performed or supplied by the DBE listed in the Utilization Plan.

As stated above, the Contractor shall not terminate or replace a DBE subcontractor listed in the approved Utilization Plan without prior written consent. This includes, but is not limited to, instances in which the Contractor seeks to perform work originally designated for a DBE subcontractor with its own forces or those of an affiliate, a non-DBE firm, or with another DBE firm. Written consent will be granted only if the Bureau of Small Business Enterprises agrees, for reasons stated in its concurrence document, that the Contractor has good cause to terminate or replace the DBE firm. Before transmitting to the Bureau of Small Business Enterprises any request to terminate and/or substitute a DBE subcontractor, the Contractor shall give notice in writing to the DBE subcontractor, with a copy to the Bureau, of its intent to request to terminate and/or substitute, and the reason for the request. The Contractor shall give the DBE five days to respond to the Contractor's notice. The DBE so notified shall advise the Bureau and the Contractor of the reasons, if any, why it objects to the proposed termination of its subcontract and why the Bureau should not approve the Contractor's action. If required in a particular case as a matter of public necessity, the Bureau may provide a response period shorter than five days.

For purposes of this paragraph, good cause includes the following circumstances:

- (1) The listed DBE subcontractor fails or refuses to execute a written contract;
- (2) The listed DBE subcontractor fails or refuses to perform the work of its subcontract in a way consistent with normal industry standards. Provided, however, that good cause does not exist if the failure or refusal of the DBE subcontractor to perform its work on the subcontract results from the bad faith or discriminatory action of the prime contractor;
- (3) The listed DBE subcontractor fails or refuses to meet the prime Contractor's reasonable, nondiscriminatory bond requirements;
- (4) The listed DBE subcontractor becomes bankrupt, insolvent, or exhibits credit unworthiness;
- (5) The listed DBE subcontractor is ineligible to work on public works projects because of suspension and debarment proceedings pursuant 2 CFR Parts 180, 215 and 1,200 or applicable state law.

- (6) You have determined that the listed DBE subcontractor is not a responsible contractor;
- (7) The listed DBE subcontractor voluntarily withdraws from the projects and provides to you written notice of its withdrawal;
- (8) The listed DBE is ineligible to receive DBE credit for the type of work required;
- (9) A DBE owner dies or becomes disabled with the result that the listed DBE contractor is unable to complete its work on the contract;
- (10) Other documented good cause that compels the termination of the DBE subcontractor. Provided, that good cause does not exist if the prime Contractor seeks to terminate a DBE it relied upon to obtain the contract so that the prime Contractor can self-perform the work for which the DBE contractor was engaged or so that the prime Contractor can substitute another DBE or non-DBE contractor after contract award.

When a DBE is terminated, or fails to complete its work on the Contract for any reason the Contractor shall make a good faith effort to find another DBE to substitute for the original DBE to perform at least the same amount of work under the contract as the terminated DBE to the extent needed to meet the established Contract goal. The good faith efforts shall be documented by the Contractor. If the Department requests documentation under this provision, the Contractor shall submit the documentation within seven days, which may be extended for an additional seven days if necessary at the request of the Contractor. The Department shall provide a written determination to the Contractor stating whether or not good faith efforts have been demonstrated.

- (f) **PAYMENT RECORDS.** The Contractor shall maintain a record of payments for work performed to the DBE participants. The records shall be made available to the Department for inspection upon request. After the performance of the final item of work or delivery of material by a DBE and final payment therefore to the DBE by the Contractor, but not later than thirty calendar days after payment has been made by the Department to the Contractor for such work or material, the Contractor shall submit a DBE Payment Agreement on Department form SBE 2115 to the Regional Engineer. If full and final payment has not been made to the DBE, the DBE Payment Agreement shall indicate whether a disagreement as to the payment required exists between the Contractor and the DBE or if the Contractor believes that the work has not been satisfactorily completed. If the Contractor does not have the full amount of work indicated in the Utilization Plan performed by the DBE companies indicated in the Utilization Plan and after good faith efforts are reviewed, the Department may deduct from contract payments to the Contractor the amount of the goal not achieved as liquidated and ascertained damages. The Contractor may request an administrative reconsideration of any amount deducted as damages pursuant to subsection (h) of this part.
- (g) **ENFORCEMENT.** The Department reserves the right to withhold payment to the Contractor to enforce the provisions of this Special Provision. Final payment shall not be made on the contract until such time as the Contractor submits sufficient documentation demonstrating achievement of the goal in accordance with this Special Provision or after liquidated damages have been determined and collected.
- (h) **RECONSIDERATION.** Notwithstanding any other provision of the contract, including but not limited to Article 109.09 of the Standard Specifications, the Contractor may request administrative reconsideration of a decision to deduct the amount of the goal not achieved as liquidated damages. A request to reconsider shall be delivered to the Contract Compliance Section and shall be handled and considered in the same manner as set forth in paragraph (c) of "Good Faith Effort Procedures" of this Special Provision, except a final decision that a good faith effort was not made during contract performance to achieve the goal agreed to in the Utilization Plan shall be the final administrative decision of the Department.

SPECIAL PROVISION FOR WEEKLY DBE TRUCKING REPORTS (BDE)

Effective: June 2, 2012

Revised: April 2, 2015

The Contractor shall submit a weekly report of Disadvantaged Business Enterprise (DBE) trucks hired by the Contractor or subcontractors (i.e. not owned by the Contractor or subcontractors) that are used for DBE goal credit.

The report shall be submitted to the Resident Engineer on Division of Aeronautics Form "AER 723" within ten business days following the reporting period. The reporting period shall be Monday through Sunday for each week reportable trucking activities occur.

Any costs associated with providing weekly DBE trucking reports shall be considered as included in the contract unit prices bid for the various items of work involved and no additional compensation will be allowed.

SPECIAL PROVISION FOR SUBCONTRACTOR MOBILIZATION PAYMENTS

Revised: April 1, 2011

To account for the preparatory work and the operations necessary for the movement of subcontractor personnel, equipment, supplies, and incidentals to the project site and for all other work or operations that must be performed or costs incurred when beginning work approved for subcontracting according to Section 80-01 of the Standard Specifications, the Contractor shall make a mobilization payment to each subcontractor.

This mobilization payment shall be made at least 14 days prior to the subcontractor starting work. The amount paid shall be equal to 3 percent of the amount of the subcontract reported on form AER 260A submitted for the approval of the subcontractor's work.

The mobilization payment to the subcontractor is an advance payment of the reported amount of the subcontract and is not a payment in addition to the amount of the subcontract; therefore, the amount of the advance payment will be deducted from future progress payments.

This provision shall be incorporated directly or by reference into each subcontract approved by the Department

SPECIAL PROVISION FOR PAYMENTS TO SUBCONTRACTORS

Revised: January 1, 2006

Federal regulations found at 49 CFR §26.29 mandate the Department to establish a contract clause to require Contractors to pay subcontractors for satisfactory performance of their subcontracts and to set the time for such payments.

State law also addresses the timing of payments to be made to subcontractors and material suppliers. Section 7 of the Prompt Payment Act, 30 ILCS 540/7, requires that when a Contractor receives any payment from the Department, the Contractor shall make corresponding, proportional payments to each subcontractor and material supplier performing work or supplying material within 15 calendar days after receipt of the Department payment. Section 7 of the Act further provides that interest in the amount of two percent per month, in addition to the payment due, shall be paid to any subcontractor or material supplier by the Contractor if the payment required by the Act is withheld or delayed without reasonable cause. The Act also provides that the time for payment required and the calculation of any interest due applies to transactions between subcontractors and lower-tier subcontractors and material suppliers throughout the contracting chain.

This Special Provision establishes the required federal contract clause, and adopts the 15 calendar day requirement of the State Prompt Payment Act for purposes of compliance with the federal regulation regarding payments to subcontractors. This contract is subject to the following payment obligations.

When progress payments are made to the Contractor according to Article 90-07 of the Standard Specifications, the Contractor shall make a corresponding payment to each subcontractor and material supplier in proportion to the work satisfactorily completed by each subcontractor and for the material supplied to perform any work of the contract. The proportionate amount of partial payment due to each subcontractor and material supplier throughout the contracting chain shall be determined by the quantities measured or otherwise determined as eligible for payment by the Department and included in the progress payment to the Contractor. Subcontractors and material suppliers shall be paid by the Contractor within 15 calendar days after the receipt of payment from the Department. The Contractor shall not hold retainage from the subcontractors. These obligations shall also apply to any payments made by subcontractors and material suppliers to their subcontractors and material suppliers; and to all payments made to lower tier subcontractors and material suppliers throughout the contracting chain. Any payment or portion of a payment subject to this provision may only be withheld from the subcontractor or material supplier to whom it is due for reasonable cause.

This Special Provision does not create any rights in favor of any subcontractor or material supplier against the State or authorize any cause of action against the State on account of any payment, nonpayment, delayed payment, or interest claimed by application of the State Prompt Payment Act. The Department will not approve any delay or postponement of the 15 day requirement except for reasonable cause shown after notice and hearing pursuant to Section 7(b) of the State Prompt Payment Act. State law creates other and additional remedies available to any subcontractor or material supplier, regardless of tier, who has not been paid for work properly performed or material furnished. These remedies are a lien against public funds set forth in Section 23(c) of the Mechanics Lien Act, 770 ILCS 60/23(c), and a recovery on the Contractor's payment bond according to the Public Construction Bond Act, 30 ILCS 550.

SPECIAL PROVISION FOR ADDITIONAL STATE REQUIREMENTS FOR FEDERAL-AID CONSTRUCTION CONTRACTS

Effective: February 1, 1969

Revised: January 1, 2010

EQUAL EMPLOYMENT OPPORTUNITY

In the event of the Contractor's noncompliance with any provisions of this Equal Employment Opportunity Clause, the Illinois Fair Employment Practices Act or the Fair Employment Practices Commission's Rules and Regulations for Public Contracts, the Contractor may be declared nonresponsible and therefore ineligible for future contracts or subcontracts with the State of Illinois or any of its political subdivisions or municipal corporations, and the contract may be canceled or avoided in whole or in part, and such other sanctions or penalties may be imposed or remedies invoked as provided by statute or regulation.

During the performance of this contract, the Contractor agrees as follows:

(1) That it will not discriminate against any employee or applicant for employment because of race, color, religion, sex, national origin or ancestry; and further that it will examine all job classifications to determine if minority persons or women are underutilized and will take appropriate affirmative action to rectify any such underutilization.

(2) That, if it hires additional employees in order to perform this contract or any portion hereof, it will determine the availability (in accordance with the Commission's Rules and Regulations for Public Contracts) of minorities and women in the area(s) from which it

may reasonably recruit and it will hire for each job classification for which employees are hired in such a way that minorities and women are not underutilized.

(3) That, in all solicitations or advertisements for employees placed by it or on its behalf, it will state that all applicants will be afforded equal opportunity without discrimination because of race, color, religion, sex, national origin or ancestry.

(4) That it will send to each labor organization or representative of workers with which it has or is bound by a collective bargaining or other agreement or understanding, a notice advising such labor organization or representative of the Contractor's obligations under the Illinois Fair Employment Practices Act and the Commission's Rules and Regulations for Public Contracts. If any such labor organization or representative fails or refuses to cooperate with the Contractor in its efforts to comply with such Act and Rules and Regulations, the Contractor will promptly so notify the Illinois Fair Employment Practices Commission and the contracting agency and will recruit employees from other sources when necessary to fulfill its obligations thereunder.

(5) That it will submit reports as required by the Illinois Fair Employment Practices Commission's Rules and Regulations for Public Contracts, furnish all relevant information as may from time to time be requested by the Commission or the contracting agency, and in all respects comply with the Illinois Fair Employment Practices Act and the Commission's Rules and Regulations for Public Contracts.

(6) That it will permit access to all relevant books, records, accounts and work sites by personnel of the contracting agency and the Illinois Fair Employment Practices Commission for purposes of investigation to ascertain compliance with the Illinois Fair Employment Practices Act and the Commission's Rules and Regulations for Public Contracts.

(7) That it will include verbatim or by reference the provisions of paragraphs 1 through 7 of this clause in every performance subcontract as defined in Section 2.10(b) of the Commission's Rules and Regulations for Public Contracts so that such provisions will be binding upon every subcontractor; and that it will also so include the provisions or paragraphs 1, 5, 6 and 7 in every supply subcontract as defined in Section 2.10(a) of the Commission's Rules and Regulations for Public Contracts so that such provisions will be binding upon every such subcontractor. In the same manner as with other provisions of this contract, the Contractor will be liable for compliance with applicable provisions of this clause by all its subcontractors; and further it will promptly notify the contracting agency and the Illinois Fair Employment Practices Commission in the event any subcontractor fails or refuses to comply therewith. In addition, no Contractor will utilize any subcontractor declared by the Commission to be nonresponsible and therefore ineligible for contracts or subcontracts with the State of Illinois or any of its political subdivisions or municipal corporations.

SPECIAL PROVISION FOR NPDES CERTIFICATION

In accordance with the provisions of the Illinois Environmental Protection Act, the Illinois Pollution Control Board Rules and Regulations (35 Ill. Adm. Code, Subtitle C, Chapter I), and the Clean Water Act, and the regulations thereunder, this certification is required for all construction contracts that will result in the disturbance of one or more acres total land area.

The bidder certifies under penalty of law that he/she understands the terms and conditions of the general National Pollutant Discharge Elimination System (NPDES) permit (ILR100000) that authorizes the storm water discharges associated with industrial activity from the construction site identified as part of this certification.

The Airport Owner or its Agent will:

- 1) prepare, sign and submit the Notice of Intent (NOI)
- 2) conduct site inspections and complete and file the inspection reports
- 3) submit Incidence of Non-Compliance (ION) forms
- 4) submit Notice of Termination (NOT) form

Prior to the issuance of the Notice-to-Proceed, for each erosion control measure identified in the Storm Water Pollution Prevention Plan, the contractor or subcontractor responsible for the control measure(s) must sign the above certification (forms to be provided by the Department).

SPECIAL PROVISION FOR COMPLETION TIME VIA CALENDAR DAYS

It being understood and agreed that the completion within the time limit is an essential part of the contract, the bidder agrees to complete the work within 55 calendar days, unless additional time is granted by the Engineer in accordance with the provisions of the specifications. In case of failure to complete the work on or before the time named herein, or within such extra time as may have been allowed by extensions, the bidder agrees that the Department of Transportation shall withhold from such sum as may be due him/her under the terms of this contract, the costs, as set forth in Section 80-09 Failure to Complete on Time of the Standard Specifications, which costs shall be considered and treated not as a penalty but as damages due to the State from the bidder by reason of the failure of the bidder to complete the work within the time specified in the contract.

State of Illinois
Department of Transportation

SPECIAL PROVISION
FOR
SECTION 80 PROSECUTION AND PROGRESS

This Special Provision amends the provisions of the Standard Specifications for Construction of Airports, adopted April 1, 2012 and shall be construed to be a part thereof, superseding any conflicting provisions thereof applicable to the work under the contract.

80-09 FAILURE TO COMPLETE ON TIME.

DELETE: "See contract documents for current schedule of deductions."

ADD:

Schedule of Deductions for Each Day of Overrun in Contract Time			
Original Contract Amount		Daily Charges	
From More Than	To and Including	Calendar Day	Work Day
\$ 0	\$ 100,000	\$ 475	\$ 675
100,000	500,000	750	1,050
500,000	1,000,000	1,025	1,425
1,000,000	3,000,000	1,275	1,725
3,000,000	6,000,000	1,425	2,000
6,000,000	12,000,000	2,300	3,450
12,000,000	And over	6,775	9,525

State of Illinois
Department of Transportation

SPECIAL PROVISION
FOR
SECTION 90 MEASUREMENT AND PAYMENT

This Special Provision amends the provisions of the Standard Specifications for Construction of Airports, adopted April 1, 2012 and shall be construed to be a part thereof, superseding any conflicting provisions thereof applicable to the work under the contract.

90-07 PARTIAL PAYMENTS.

DELETE: The entire section.

ADD: Partial payments will be made to the Contractor at least once each month as the work progresses. The payments will be based upon estimates, prepared by the Resident Engineer, of the value of the work performed and materials complete and in place in accordance with the contract, plans, and specifications. Such partial payments may also include the delivered actual cost of those materials stockpiled and stored in accordance with the Section 90-08 PAYMENT FOR MATERIALS ON HAND. From the amount of partial payment so determined on Federal-Aid projects, there shall be deducted an amount up to ten percent of the cost of the completed work which shall be retained until all conditions necessary for financial closeout of the project are satisfied. The amount of the estimate approved as due for payment will be vouchered by the Department and presented to the State Comptroller for payment. No amount less than \$1,000.00 will be approved for payment other than the final payment. A final voucher for under \$5.00 shall not be paid except through electronic funds transfer. (15 ILCS 405/9(b-1))

It is understood and agreed that the Contractor shall not be entitled to demand or receive partial payment based on quantities of work in excess of those provided in the proposal or covered by approved change orders, except when such excess quantities have been determined by the Engineer to be a part of the final quantity for the item of work in question.

No partial payment shall bind the Department to the acceptance of any materials or work in place as to quality or quantity. All partial payments are subject to correction at the time of final payment as provided in Section 90-09 ACCEPTANCE AND FINAL PAYMENT.

Progress payments may be reduced by liens filed pursuant to Section 23(c) of the Mechanics Lien Act, 770 ILCS 60/23(c).

If a Contractor or subcontractor has defaulted on a loan issued under the Department's Disadvantaged Business Revolving Loan Program (20 ILCS 2705/2705-610) progress payments may be reduced pursuant to the terms of that loan agreement. In such cases, the amount of the estimate related to the work performed by the Contractor or subcontractor, in default of the loan agreement, will be offset, in whole or in part, and vouchered by the Department to the Working Capital Revolving Fund or designated escrow account. Payment for the work shall be considered as issued and received by the Contractor or subcontractor on the date of the offset voucher. Further, the amount of the offset voucher shall be a credit against the Department's obligation to pay the Contractor, the Contractor's obligation to pay the subcontractor, and the Contractor's or subcontractor's total loan indebtedness to the Department. The offset shall continue until such time as the entire loan indebtedness is satisfied. The Department will notify the Contractor and Fund Control Agent in a timely manner of such offset. The Contractor or subcontractor shall not be entitled to additional payment in consideration of the offset.

In accordance with 49 USC § 47111, the Department will not make payments totaling more than 90 percent of the contract until all conditions necessary for financial closeout of the project are satisfied.

The failure to perform any requirement, obligation, or term of the contract by the Contractor shall be reason for withholding any progress payments until the Department determines that compliance has been achieved.

90-10 TRUST AGREEMENT OPTION.

DELETE: The entire section.



Required Contract Provisions for Airport Improvement Program and for Obligated Sponsors

Contents

1. REQUIRED CONTRACT PROVISIONS.	53
2. ACCESS TO RECORDS AND REPORTS. (Reference: 2 CFR § 200.326, 2 CFR § 200.333).....	55
3. AFFIRMATIVE ACTION REQUIREMENT. (Reference: 41 CFR part 60-4, Executive Order 11246).....	55
4. BREACH OF CONTRACT TERMS. (Reference 2 CFR § 200 Appendix II(A)).....	56
5. BUY AMERICAN PREFERENCE. (Reference: 49 USC § 50101).....	56
6. CIVIL RIGHTS - GENERAL. (Reference: 49 USC § 47123).....	57
7. CIVIL RIGHTS – TITLE VI ASSURANCES.	58
8. CLEAN AIR AND WATER POLLUTION CONTROL. (Reference: 49 CFR § 18.36(i)(12)).....	62
9. CONTRACT WORKHOURS AND SAFETY STANDARDS ACT REQUIREMENTS. (Reference: 2 CFR § 200 Appendix II (E)).....	62
10. COPELAND “ANTI-KICKBACK” ACT. (Reference: 2 CFR § 200 Appendix II(D), 29 CFR parts 3 & 5).....	63
11. DAVIS-BACON REQUIREMENTS. (Reference: 2 CFR § 200 Appendix II(D))	63
12. DEBARMENT AND SUSPENSION (NON-PROCUREMENT). (Reference: 2 CFR part 180 (Subpart C), 2 CFR part 1200, DOT Order 4200.5 DOT Suspension & Debarment Procedures & Ineligibility).....	67
13. DISADVANTAGED BUSINESS ENTERPRISE. (Reference: 49 CFR part 26).....	68
14. ENERGY CONSERVATION REQUIREMENTS. (Reference 2 CFR § 200 Appendix II(H)).....	68
15. EQUAL OPPORTUNITY CLAUSE AND SPECIFICATIONS. (Reference 41 CFR § 60-1.4, Executive Order 11246).....	68
16. FEDERAL FAIR LABOR STANDARDS ACT (FEDERAL MINIMUM WAGE). (Reference: 29 USC § 201, et seq.).....	72
17. LOBBYING AND INFLUENCING FEDERAL EMPLOYEES. (Reference: 49 CFR part 20, Appendix A).....	73
18. NONSEGREGATED FACILITIES REQUIREMENT. (Reference: 41 CFR § 60-1.8).....	73
19. OCCUPATIONAL SAFETY AND HEALTH ACT OF 1970. (Reference 20 CFR part 1910).....	74
20. RIGHT TO INVENTIONS. (Reference 2 CFR § 200 Appendix II(F))	74
21. TERMINATION OF CONTRACT. (Reference 2 CFR § 200 Appendix II(B)).....	75
22. TRADE RESTRICTION. (Reference: 49 CFR part 30).....	75
23. TEXTING WHEN DRIVING. (References: Executive Order 13513, and DOT Order 3902.10).....	76
24. VETERAN’S PREFERENCE. (Reference: 49 USC § 47112(c)).....	77
25. APPENDICES.	77

1. REQUIRED CONTRACT PROVISIONS.

Federal laws and regulations require that specific contract provisions be included in certain contracts, requests for proposals, or invitations to bid *whether or not* the contracts are federally-funded. This requirement is established within the grant assurances. Other contract provisions are required to be in federally-funded contracts, including all subcontracts. For purposes of determining requirements for contract provisions, the term **contract** includes subcontracts.

The type and magnitude of a project determines whether a provision is required. Some Federal provisions have dollar thresholds that define when they are applicable. The majority of the Federal provisions may be incorporated within the contract itself. However, certain Federal notices are required to be identified within the Notice-to-Bidders.

GENERAL REQUIREMENT FOR CONTRACTS.

In general, the sponsor must:

- 1) Physically incorporate these contract provisions (not simply by reference) in each contract funded under AIP;
- 2) Require the contractor (including all subcontractors) to insert these contract provisions in each contract and subcontract, and further require that the clauses be included in all subcontracts;
- 3) Require the contractor (or subcontractor) to incorporate applicable requirements of these contract provisions by reference for work done *under* any purchase orders, rental agreements and other agreements for supplies or services;
- 4) Require that the prime contractor be responsible for compliance with these contract provisions by any subcontractor, lower-tier subcontractor or service provider; and
- 5) Not modify the provisions. Minor additions covering state or sponsor requirements may be included in a separate supplemental specification, provided they do not conflict with federal laws and regulations and do not change the intent of the required contract provision.

Subject to the applicability criteria noted in the specific contract provisions, these contract provisions apply to all work performed on the contract.

GENERAL REQUIREMENT FOR REQUESTS FOR BIDS (ADVERTISEMENT) AND NOTICE TO BIDDERS

In general, the sponsor may incorporate certain provisions *by reference* in the Request for Bids (the Advertisement) rather than including the entire text of the provision in the Request or Notice. The provisions that can be incorporated by reference in the Request or Notice are:

- 1) Buy American Preference
- 2) Foreign Trade Restriction
- 3) Davis Bacon
- 4) Affirmative Action
- 5) Governmentwide Debarment and Suspension
- 6) Governmentwide Requirements for Drug-free Workplace

GENERAL REQUIREMENTS FOR ALL CONTRACTS ENTERED INTO BY OBLIGATED SPONSORS.

Where noted, the sponsor must include certain notifications in contracts or solicitations for proposals regardless of funding source.

FAILURE TO COMPLY WITH PROVISIONS.

Failure to comply with the terms of these contract provisions may be sufficient grounds to:

- 1) Withhold progress payments or final payment,
- 2) Terminate the contract,
- 3) Seek suspension/debarment, or
- 4) Any other action determined to be appropriate by the sponsor or the FAA.

REQUIRED CONTRACT PROVISIONS.

The following list summarizes the contract provisions and to what types of contracts the provisions apply:

All Contracts Regardless of Funding Source

- a. Civil Rights – General
Civil Rights – Title VI **All AIP Funded Contracts**

- a. Access to Records and Reports
- b. Affirmative Action Plan
- c. Buy American Preferences
- d. Civil Rights – General
- e. Civil Rights - Title VI
- f. Disadvantaged Business Enterprises
- g. Energy Conservation Requirements
- h. Federal Fair Labor Standards Act (Minimum Wage)
- i. Lobbying and Influencing Federal Employees
- j. Occupational Safety and Health Act
- k. Rights to Inventions
- l. Trade Restriction Clause
- m. Veteran’s Preference

Additional Provisions for AIP Funded Contracts that are \$2,000 and greater

- a. Copeland Anti-Kickback
- b. Davis Bacon Requirements

Additional Provisions for AIP Funded Contracts that are \$10,000 and greater

- a. Affirmative Action
- b. Equal Employment Opportunity
- c. Nonsegregated Facilities
- d. Termination of Contract

Additional Provisions for AIP Funded Contracts that are \$25,000 and greater

- a. Debarment and Suspension

Additional Provisions for AIP Funded Contracts that are \$100,000 and greater

- a. Breach of Contract
- b. Clean Air and Water Pollution Controls
- c. Contract Work Hours and Safety Standards

2. ACCESS TO RECORDS AND REPORTS.

(Reference: 2 CFR § 200.326, 2 CFR § 200.333)

APPLICABILITY.

Applies to all AIP-funded projects and must be included in all contracts and subcontracts.

MANDATORY CONTRACT LANGUAGE.

The mandatory language that must be used on AIP funded project contracts is as follows:

ACCESS TO RECORDS AND REPORTS

The Contractor must maintain an acceptable cost accounting system. The Contractor agrees to provide the Sponsor, the Federal Aviation Administration, the Comptroller General of the United States, and the Illinois Department of Transportation or any of their duly authorized representatives access to any books, documents, papers, and records of the contractor which are directly pertinent to the specific contract for the purpose of making audit, examination, excerpts and transcriptions. The Contractor agrees to maintain all books, records and reports required under this contract for a period of not less than three years after final payment is made and all pending matters are closed.

3. AFFIRMATIVE ACTION REQUIREMENT.

(Reference: 41 CFR part 60-4, Executive Order 11246)

APPLICABILITY.

Incorporate in all AIP-funded construction contracts and subcontracts that exceed \$10,000. This notice must be placed within the solicitation for proposals. The goals for minority participation are dependent upon the Economic Area (EA) and Standard Metropolitan Statistical Area (SMSA). Refer to Volume 45 of the Federal Register dated 10/3/80. Page 65984 contains a table of all EA and SMSA and their associated minority goals. Executive Order 11246 has set a goal of 6.9% nationally for female participation for all construction contractors.

MANDATORY CONTRACT LANGUAGE.

NOTICE OF REQUIREMENT FOR AFFIRMATIVE ACTION

1. The Offeror's or Bidder's attention is called to the "Equal Opportunity Clause" and the "Standard Federal Equal Employment Opportunity Construction Contract Specifications" set forth herein.

2. The goals and timetables for minority and female participation, expressed in percentage terms for the contractor's aggregate workforce in each trade on all construction work in the covered area, are as follows:

- A. Timetables
- B. Goals for minority participation for each trade (Vol. 45 Federal Register pg. 65984 10/3/80)
- C. Goals for female participation in each trade (6.9%)

These goals are applicable to all of the contractor's construction work (whether or not it is Federal or federally-assisted) performed in the covered area. If the contractor performs construction work in a geographical area located outside of the covered area, it shall apply the goals established for such geographical area where the work is actually performed. With regard to this second area, the contractor is also subject to the goals for both federally funded and non-federally funded construction regardless of the percentage of federal participation in funding.

The contractor's compliance with the Executive Order and the regulations in 41 CFR Part 60-4 shall be based on its implementation of the Equal Opportunity Clause, specific affirmative action obligations required by the specifications set forth in 41 CFR 60-4.3(a), and its efforts to meet the goals. The hours of minority and female employment and training shall be substantially uniform throughout the length of the contract, and in each trade, and the contractor shall make a good faith effort to employ minorities and women evenly on each of its projects. The transfer of minority or female employees or trainees from contractor to contractor or from project to project, for the sole purpose of meeting the contractor's goals, shall be a violation of the contract, the Executive Order, and the regulations in 41 CFR Part 60-4. Compliance with the goals will be measured against the total work hours performed.

3. The contractor shall provide written notification to the Director, Office of Federal Contract Compliance Programs (OFCCP), within 10 working days of award of any construction subcontract in excess of \$10,000 at any tier for construction work under the contract resulting from this solicitation. The notification shall list the name, address, and telephone number of the subcontractor; employer

identification number of the subcontractor; estimated dollar amount of the subcontract; estimated starting and completion dates of subcontract; and the geographical area in which the subcontract is to be performed.

4. As used in this notice and in the contract resulting from this solicitation, the "covered area" is [insert description of the geographical areas where the contract is to be performed giving the state, county, and city, if any].

AFFIRMATIVE ACTION PLAN.

The Department of Labor is responsible for administering the Executive Order 11246, which contains requirements for an Affirmative Action Plan. This Plan is similar in content and requirements to the affirmative action plan required in 49 CFR Part 152 subpart e. 49 CFR Part 152 applied to grants issued under the Airport Development Aid Program, which was replaced by the Airport Improvement Program.

4. BREACH OF CONTRACT TERMS.

(Reference 2 CFR § 200 Appendix II(A))

APPLICABILITY.

This provision is required in all contracts that exceed the simplified acquisition threshold. This threshold, fixed at 41 USC 403(11), is presently set at \$100,000.

MANDATORY CONTRACT LANGUAGE.

The regulation does not prescribe mandatory language, however the following clause represents sample language that meets the intent of 2 CFR § 200 Appendix II(A). This provision requires grantees to incorporate administrative, contractual or legal remedies in instances where contractors violate or breach contract terms.

BREACH OF CONTRACT TERMS

Any violation or breach of terms of this contract on the part of the contractor or its subcontractors may result in the suspension or termination of this contract or such other action that may be necessary to enforce the rights of the parties of this agreement. The duties and obligations imposed by the Contract Documents and the rights and remedies available thereunder are in addition to, and not a limitation of, any duties, obligations, rights and remedies otherwise imposed or available by law.

5. BUY AMERICAN PREFERENCE.

(Reference: 49 USC § 50101)

APPLICABILITY.

The sponsor must meet the Buy American preference requirements found in 49 USC § 50101 in all AIP-funded projects. The Buy America requirements flow down from the sponsor to first tier contractors, who are responsible for ensuring that lower tier contractors and subcontractors are in compliance. The Buy American preference also applies to professional service agreements if the agreement includes any manufactured product as a deliverable.

REQUIREMENTS.

- (a) The Aviation Safety and Capacity Expansion Act of 1990 provides that preference be given to steel and manufactured products produced in the United States when funds are expended pursuant to a grant issued under the Airport Improvement Program (AIP).
- (b) Any and all steel products used in the performance of this contract by the Contractor, subcontractors, producers, and suppliers are required to adhere to the Illinois Steel Products Procurement Act, which requires that all steel items be of 100 percent domestic origin and manufacture. Any products listed under the Federal Aviation Administration's (FAA) nationwide approved list of "Equipment Meeting Buy American Requirements" shall be deemed as meeting the requirements of the Illinois Steel Products Procurement Act.
- (c) The successful bidder will be required to assure that only domestic steel and domestically manufactured products will be used by the Contractor, subcontractors, producers, and suppliers in the performance of this contract. The North American Free Trade Agreement (NAFTA) specifically excluded federal grant programs such as the AIP. Therefore, NAFTA does not change

the requirement to comply with the Buy American requirement in the Act. Exceptions to this are for products, other than steel, that:

- (1) the FAA has determined, under the Aviation Safety and Capacity Expansion Act of 1990, are not produced in the United States in sufficient and reasonably available quantities or of a satisfactory quality;
- (2) the FAA has determined, under the Aviation Safety and Capacity Expansion Act of 1990, that domestic preference would be inconsistent with the public interest;
- (3) the FAA has determined that inclusion of domestic material will increase the cost of the overall project contract by more than 25 percent; or
- (4) the FAA has determined, under the Aviation Safety and Capacity Expansion Act of 1990,
 - (i) the cost of components and subcomponents produced in the United States is more than 60 percent of the cost of all components of the facility or equipment, and
 - (ii) final assembly of the facility or equipment has occurred in the United States.

The FAA must grant waivers for any items that are included in these above exceptions. Bidders can review items already approved under the FAA nationwide approved list of "Equipment Meeting Buy American Requirements" on the FAA website, which do not require a specific FAA waiver.

All waivers are the responsibility of the Contractor, must be obtained prior to the Notice to Proceed, and must be submitted to the Division of Aeronautics for review and approval before being forwarded to the FAA. Any products used on the project that cannot meet the domestic requirement, and for which a waiver prior to the Notice to Proceed was not obtained, will be rejected for use and subject to removal and replacement with no additional compensation, and the contractor deemed non-responsive.

6. CIVIL RIGHTS - GENERAL.

(Reference: 49 USC § 47123)

APPLICABILITY.

The General Civil Rights Provisions found in 49 USC § 47123, derived from the Airport and Airway Improvement Act of 1982, Section 520, apply to all AIP-funded projects. This provision is in addition to the Civil Rights – Title VI provisions.

MANDATORY CONTRACT LANGUAGE.

The mandatory language that must be used on AIP funded project contracts is as follows:

GENERAL CIVIL RIGHTS PROVISIONS

The contractor agrees that it will comply with pertinent statutes, Executive Orders and such rules as are promulgated to ensure that no person shall, on the grounds of race, creed, color, national origin, sex, age, or handicap be excluded from participating in any activity conducted with or benefiting from Federal assistance.

This provision binds the contractors from the bid solicitation period through the completion of the contract. This provision is in addition to that required of Title VI of the Civil Rights Act of 1964.

This provision also obligates the tenant/concessionaire/lessee or its transferee for the period during which Federal assistance is extended to the airport through the Airport Improvement Program, except where Federal assistance is to provide, or is in the form of personal property; real property or interest therein; structures or improvements thereon.

In these cases the provision obligates the party or any transferee for the longer of the following periods:

- (a) the period during which the property is used by the airport sponsor or any transferee for a purpose for which Federal assistance is extended, or for another purpose involving the provision of similar services or benefits; or
- (b) the period during which the airport sponsor or any transferee retains ownership or possession of the property.

7. CIVIL RIGHTS – TITLE VI ASSURANCES.

Appropriate clauses from the Standard DOT Title VI Assurances must be included in all contracts and solicitations. The clauses are as follows:

- 1) Title VI Solicitation Notice
- 2) Title VI Clauses for Compliance with Nondiscrimination Requirements.
- 3) Title VI Required Clause for Land Interests Transferred from the United States
- 4) Title VI Required Clause for Real Property Acquired Or Improved by the sponsor subject to the nondiscrimination Acts and Regulations.
- 5) Clauses for Construction/Use/Access to Real Property Acquired Under the Activity, Facility or Program
- 6) Title VI List Of Pertinent Nondiscrimination Statutes And Authorities

APPLICABILITY.

The sponsor must insert the **Title VI Solicitation Notice** in:

- 1) All solicitations for bids, requests for proposals work, or material subject to the nondiscrimination acts and regulations made in connection with Airport Improvement Program grants; and
- 2) All proposals for negotiated agreements regardless of funding source

The Sponsor must insert the **Title VI required contract clause** and the **Title VI list of Pertinent Nondiscrimination Statutes and Authorities** in every contract or agreement, unless the sponsor has determined and the FAA has agreed, that the contract or agreement is not subject to the nondiscrimination Acts and the Regulations.

The sponsor must insert the clauses of **Title VI Clauses for Deeds Transferring United States Property**, as a covenant running with the land, in any deed from the United States effecting or recording a transfer of real property, structures, use, or improvements thereon or interest therein to a sponsor.

The sponsor must include the **Title VI Clauses for Transfer of Real Property Acquired or Improved Under the Activity, Facility, Or Program**, the **Title VI Clauses for Construction/Use/Access to Real Property Acquired Under the Activity, Facility or Program**, and the **Title VI List of Pertinent Nondiscrimination Authorities**, as a covenant running with the land, in any future deeds, leases, licenses, permits, or similar instruments entered into by the sponsor with other parties:

- 1) For the subsequent transfer of real property acquired or improved under the applicable activity, project, or program; and
- 2) For the construction or use of, or access to, space on, over, or under real property acquired or improved under the applicable activity, project, or program.

MANDATORY CONTRACT LANGUAGE.

Title VI Solicitation Notice

(Source: Appendix 4 of FAA Order 1400.11, Nondiscrimination in Federally-Assisted Programs at the Federal Aviation Administration)

Title VI Solicitation Notice:

The **(Name of Sponsor)**, in accordance with the provisions of Title VI of the Civil Rights Act of 1964 (78 Stat. 252, 42 U.S.C. §§ 2000d to 2000d-4) and the Regulations, hereby notifies all bidders that it will affirmatively ensure that any contract entered into pursuant to this advertisement, disadvantaged business enterprises will be afforded full and fair opportunity to submit bids in response to this invitation and will not be discriminated against on the grounds of race, color, or national origin in consideration for an award.

Title VI Clauses for Compliance with Nondiscrimination Requirements

(Source: Appendix A of Appendix 4 of FAA Order 1400.11, Nondiscrimination in Federally-Assisted Programs at the Federal Aviation Administration)

Compliance with Nondiscrimination Requirements

During the performance of this contract, the contractor, for itself, its assignees, and successors in interest (hereinafter referred to as the "contractor") agrees as follows:

1. **Compliance with Regulations:** The contractor (hereinafter includes consultants) will comply with the **Title VI List of Pertinent Nondiscrimination Statutes and Authorities**, as they may be amended from time to time, which are herein incorporated by reference and made a part of this contract.
2. **Non-discrimination:** The contractor, with regard to the work performed by it during the contract, will not discriminate on the grounds of race, color, or national origin in the selection and retention of subcontractors, including procurements of materials and leases of equipment. The contractor will not participate directly or indirectly in the discrimination prohibited by the Acts and the Regulations, including employment practices when the contract covers any activity, project, or program set forth in Appendix B of 49 CFR part 21.
3. **Solicitations for Subcontracts, Including Procurements of Materials and Equipment:** In all solicitations, either by competitive bidding, or negotiation made by the contractor for work to be performed under a subcontract, including procurements of materials, or leases of equipment, each potential subcontractor or supplier will be notified by the contractor of the contractor's obligations under this contract and the Acts and the Regulations relative to Non-discrimination on the grounds of race, color, or national origin.
4. **Information and Reports:** The contractor will provide all information and reports required by the Acts, the Regulations, and directives issued thereto and will permit access to its books, records, accounts, other sources of information, and its facilities as may be determined by the sponsor or the Federal Aviation Administration to be pertinent to ascertain compliance with such Acts, Regulations, and instructions. Where any information required of a contractor is in the exclusive possession of another who fails or refuses to furnish the information, the contractor will so certify to the sponsor or the Federal Aviation Administration, as appropriate, and will set forth what efforts it has made to obtain the information.
5. **Sanctions for Noncompliance:** In the event of a contractor's noncompliance with the Non-discrimination provisions of this contract, the sponsor will impose such contract sanctions as it or the Federal Aviation Administration may determine to be appropriate, including, but not limited to:
 - a. Withholding payments to the contractor under the contract until the contractor complies; and/or
 - b. Cancelling, terminating, or suspending a contract, in whole or in part.
6. **Incorporation of Provisions:** The contractor will include the provisions of paragraphs one through six in every subcontract, including procurements of materials and leases of equipment, unless exempt by the Acts, the Regulations and directives issued pursuant thereto. The contractor will take action with respect to any subcontract or procurement as the sponsor or the Federal Aviation Administration may direct as a means of enforcing such provisions including sanctions for noncompliance. Provided, that if the contractor becomes involved in, or is threatened with litigation by a subcontractor, or supplier because of such direction, the contractor may request the sponsor to enter into any litigation to protect the interests of the sponsor. In addition, the contractor may request the United States to enter into the litigation to protect the interests of the United States.

Title VI Clauses for Deeds Transferring United States Property

(Source: Appendix B of Appendix 4 of FAA Order 1400.11, Nondiscrimination in Federally-Assisted Programs at the Federal Aviation Administration)

CLAUSES FOR DEEDS TRANSFERRING UNITED STATES PROPERTY

The following clauses will be included in deeds effecting or recording the transfer of real property, structures, or improvements thereon, or granting interest therein from the United States pursuant to the provisions of the Airport Improvement Program grant assurances.

NOW, THEREFORE, the Federal Aviation Administration as authorized by law and upon the condition that the (*Title of Sponsor*) will accept title to the lands and maintain the project constructed thereon in accordance with (*Name of Appropriate Legislative Authority*), for the (*Airport Improvement Program or other program for which land is transferred*), and the policies and procedures prescribed by the Federal Aviation Administration of the U.S. Department of Transportation in accordance and in compliance with all requirements imposed by Title 49, Code of Federal Regulations, U.S. Department of Transportation, Subtitle A, Office of the Secretary, Part 21, Non-discrimination in Federally-assisted programs of the U.S. Department of Transportation pertaining to and effectuating the provisions of Title VI of the Civil Rights Act of 1964 (78 Stat. 252; 42 U.S.C. § 2000d to 2000d-4), does hereby remise, release, quitclaim and convey unto the (*Title of Sponsor*) all the right, title and interest of the U.S. Department of Transportation/Federal Aviation Administration in and to said lands described in (*Exhibit A attached hereto or other exhibit describing the transferred property*) and made a part hereof.

(HABENDUM CLAUSE)

TO HAVE AND TO HOLD said lands and interests therein unto (**Title of Sponsor**) and its successors forever, subject, however, to the covenants, conditions, restrictions and reservations herein contained as follows, which will remain in effect for the period during which the real property or structures are used for a purpose for which Federal financial assistance is extended or for another purpose involving the provision of similar services or benefits and will be binding on the (**Title of Sponsor**), its successors and assigns.

The (**Title of Sponsor**), in consideration of the conveyance of said lands and interests in lands, does hereby covenant and agree as a covenant running with the land for itself, its successors and assigns, that (1) no person will on the grounds of race, color, or national origin, be excluded from participation in, be denied the benefits of, or be otherwise subjected to discrimination with regard to any facility located wholly or in part on, over, or under such lands hereby conveyed [,] [and]* (2) that the (**Title of Sponsor**) will use the lands and interests in lands and interests in lands so conveyed, in compliance with all requirements imposed by or pursuant to Title 49, Code of Federal Regulations, U.S. Department of Transportation, Subtitle A, Office of the Secretary, Part 21, Non-discrimination in Federally-assisted programs of the U.S. Department of Transportation, Effectuation of Title VI of the Civil Rights Act of 1964, and as said Regulations and Acts may be amended[, and (3) that in the event of breach of any of the above-mentioned non-discrimination conditions, the Department will have a right to enter or re-enter said lands and facilities on said land, and that above described land and facilities will thereon revert to and vest in and become the absolute property of the Federal Aviation Administration and its assigns as such interest existed prior to this instruction].*

(*Reverter clause and related language to be used only when it is determined that such a clause is necessary in order to make clear the purpose of Title VI.)

Title VI Clauses for Transfer of Real Property Acquired or Improved Under the Activity, Facility, or Program

(Source: Appendix C of Appendix 4 of FAA Order 1400.11, Nondiscrimination in Federally-Assisted Programs at the Federal Aviation Administration)

CLAUSES FOR TRANSFER OF REAL PROPERTY ACQUIRED OR IMPROVED UNDER THE ACTIVITY, FACILITY, OR PROGRAM

The following clauses will be included in deeds, licenses, leases, permits, or similar instruments entered into by the (**Title of Sponsor**) pursuant to the provisions of the Airport Improvement Program grant assurances.

- A. The (grantee, lessee, permittee, etc. as appropriate) for himself/herself, his/her heirs, personal representatives, successors in interest, and assigns, as a part of the consideration hereof, does hereby covenant and agree [in the case of deeds and leases add "as a covenant running with the land"] that:
 1. In the event facilities are constructed, maintained, or otherwise operated on the property described in this (deed, license, lease, permit, etc.) for a purpose for which a Federal Aviation Administration activity, facility, or program is extended or for another purpose involving the provision of similar services or benefits, the (grantee, licensee, lessee, permittee, etc.) will maintain and operate such facilities and services in compliance with all requirements imposed by the Nondiscrimination Acts and Regulations listed in the Pertinent List of Nondiscrimination Authorities (as may be amended) such that no person on the grounds of race, color, or national origin, will be excluded from participation in, denied the benefits of, or be otherwise subjected to discrimination in the use of said facilities.
- B. With respect to licenses, leases, permits, etc., in the event of breach of any of the above Nondiscrimination covenants, (**Title of Sponsor**) will have the right to terminate the (lease, license, permit, etc.) and to enter, re-enter, and repossess said lands and facilities thereon, and hold the same as if the (lease, license, permit, etc.) had never been made or issued.*
- C. With respect to a deed, in the event of breach of any of the above Nondiscrimination covenants, the (**Title of Sponsor**) will have the right to enter or re-enter the lands and facilities thereon, and the above described lands and facilities will there upon revert to and vest in and become the absolute property of the (**Title of Sponsor**) and its assigns.*

(*Reverter clause and related language to be used only when it is determined that such a clause is necessary to make clear the purpose of Title VI.)

Title VI Clauses for Construction/Use/Access to Real Property Acquired Under the Activity, Facility or Program

(Source: Appendix D of Appendix 4 of FAA Order 1400.11, Nondiscrimination in Federally-Assisted Programs at the Federal Aviation Administration)

CLAUSES FOR CONSTRUCTION/USE/ACCESS TO REAL PROPERTY ACQUIRED UNDER THE ACTIVITY, FACILITY OR PROGRAM

The following clauses will be included in deeds, licenses, permits, or similar instruments/agreements entered into by (**Title of Sponsor**) pursuant to the provisions of the Airport Improvement Program grant assurances.

- A. The (grantee, licensee, permittee, etc., as appropriate) for himself/herself, his/her heirs, personal representatives, successors in interest, and assigns, as a part of the consideration hereof, does hereby covenant and agree (in the case of deeds and leases add, "as a covenant running with the land") that (1) no person on the ground of race, color, or national origin, will be excluded from participation in, denied the benefits of, or be otherwise subjected to discrimination in the use of said facilities, (2) that in the construction of any improvements on, over, or under such land, and the furnishing of services thereon, no person on the ground of race, color, or national origin, will be excluded from participation in, denied the benefits of, or otherwise be subjected to discrimination, (3) that the (grantee, licensee, lessee, permittee, etc.) will use the premises in compliance with all other requirements imposed by or pursuant to the List of Pertinent Nondiscrimination Authorities.
- B. With respect to (licenses, leases, permits, etc.), in the event of breach of any of the above nondiscrimination covenants, (**Title of Sponsor**) will have the right to terminate the (license, permit, etc., as appropriate) and to enter or re-enter and repossess said land and the facilities thereon, and hold the same as if said (license, permit, etc., as appropriate) had never been made or issued.*
- C. With respect to deeds, in the event of breach of any of the above nondiscrimination covenants, (**Title of Sponsor**) will there upon revert to and vest in and become the absolute property of (**Title of Sponsor**) and its assigns.*

(*Reverter clause and related language to be used only when it is determined that such a clause is necessary to make clear the purpose of Title VI.)

Title VI List of Pertinent Nondiscrimination Authorities

(Source: Appendix E of Appendix 4 of FAA Order 1400.11, Nondiscrimination in Federally-Assisted Programs at the Federal Aviation Administration)

During the performance of this contract, the contractor, for itself, its assignees, and successors in interest (hereinafter referred to as the "contractor") agrees to comply with the following non-discrimination statutes and authorities; including but not limited to:

- Title VI of the Civil Rights Act of 1964 (42 U.S.C. § 2000d *et seq.*, 78 stat. 252), (prohibits discrimination on the basis of race, color, national origin);
- 49 CFR part 21 (Non-discrimination In Federally-Assisted Programs of The Department of Transportation—Effectuation of Title VI of The Civil Rights Act of 1964);
- The Uniform Relocation Assistance and Real Property Acquisition Policies Act of 1970, (42 U.S.C. § 4601), (prohibits unfair treatment of persons displaced or whose property has been acquired because of Federal or Federal-aid programs and projects);
- Section 504 of the Rehabilitation Act of 1973, (29 U.S.C. § 794 *et seq.*), as amended, (prohibits discrimination on the basis of disability); and 49 CFR part 27;
- The Age Discrimination Act of 1975, as amended, (42 U.S.C. § 6101 *et seq.*), (prohibits discrimination on the basis of age);
- Airport and Airway Improvement Act of 1982, (49 USC § 471, Section 47123), as amended, (prohibits discrimination based on race, creed, color, national origin, or sex);
- The Civil Rights Restoration Act of 1987, (PL 100-209), (Broadened the scope, coverage and applicability of Title VI of the Civil Rights Act of 1964, The Age Discrimination Act of 1975 and Section 504 of the Rehabilitation Act of 1973, by expanding the definition of the terms "programs or activities" to include all of the programs or activities of the Federal-aid recipients, sub-recipients and contractors, whether such programs or activities are Federally funded or not);
- Titles II and III of the Americans with Disabilities Act of 1990, which prohibit discrimination on the basis of disability in the operation of public entities, public and private transportation systems, places of public accommodation, and certain testing

entities (42 U.S.C. §§ 12131 – 12189) as implemented by Department of Transportation regulations at 49 CFR parts 37 and 38;

- The Federal Aviation Administration's Non-discrimination statute (49 U.S.C. § 47123) (prohibits discrimination on the basis of race, color, national origin, and sex);
- Executive Order 12898, Federal Actions to Address Environmental Justice in Minority Populations and Low-Income Populations, which ensures non-discrimination against minority populations by discouraging programs, policies, and activities with disproportionately high and adverse human health or environmental effects on minority and low-income populations;
- Executive Order 13166, Improving Access to Services for Persons with Limited English Proficiency, and resulting agency guidance, national origin discrimination includes discrimination because of limited English proficiency (LEP). To ensure compliance with Title VI, you must take reasonable steps to ensure that LEP persons have meaningful access to your programs (70 Fed. Reg. at 74087 to 74100);
- Title IX of the Education Amendments of 1972, as amended, which prohibits you from discriminating because of sex in education programs or activities (20 U.S.C. 1681 et seq).

8. CLEAN AIR AND WATER POLLUTION CONTROL.

(Reference: 49 CFR § 18.36(i)(12)) Note, when the DOT adopts 2 CFR 200, this reference will change to 2 CFR § 200 Appendix II(G))

APPLICABILITY.

Incorporate in all professional service agreements, construction contracts and subcontracts that exceed \$100,000. (Note that the 2 CFR 200 will raise this level to \$150,000)

MANDATORY CONTRACT LANGUAGE.

CLEAN AIR AND WATER POLLUTION CONTROL

Contractors and subcontractors agree:

1. That any facility to be used in the performance of the contract or subcontract or to benefit from the contract is not listed on the Environmental Protection Agency (EPA) List of Violating Facilities;
2. To comply with all the requirements of Section 114 of the Clean Air Act, as amended, 42 U.S.C. 1857 et seq. and Section 308 of the Federal Water Pollution Control Act, as amended, 33 U.S.C. 1251 et seq. relating to inspection, monitoring, entry, reports, and information, as well as all other requirements specified in Section 114 and Section 308 of the Acts, respectively, and all other regulations and guidelines issued thereunder;
3. That, as a condition for the award of this contract, the contractor or subcontractor will notify the awarding official of the receipt of any communication from the EPA indicating that a facility to be used for the performance of or benefit from the contract is under consideration to be listed on the EPA List of Violating Facilities;
4. To include or cause to be included in any construction contract or subcontract which exceeds \$100,000 the aforementioned criteria and requirements.

9. CONTRACT WORKHOURS AND SAFETY STANDARDS ACT REQUIREMENTS.

(Reference: 2 CFR § 200 Appendix II (E))

APPLICABILITY.

Incorporate in all professional service agreements, construction contracts and subcontracts that exceed \$100,000.

MANDATORY CONTRACT LANGUAGE.

CONTRACT WORKHOURS AND SAFETY STANDARDS ACT REQUIREMENTS

1. Overtime Requirements.

No contractor or subcontractor contracting for any part of the contract work which may require or involve the employment of laborers or mechanics shall require or permit any such laborer or mechanic, including watchmen and guards, in any workweek in which he or she is employed on such work to work in excess of forty hours in such workweek unless such laborer or mechanic receives compensation at a rate not less than one and one-half times the basic rate of pay for all hours worked in excess of forty hours in such workweek.

2. Violation; Liability for Unpaid Wages; Liquidated Damages.

In the event of any violation of the clause set forth in paragraph (1) above, the contractor and any subcontractor responsible therefor shall be liable for the unpaid wages. In addition, such contractor and subcontractor shall be liable to the United States (in the case of work done under contract for the District of Columbia or a territory, to such District or to such territory), for liquidated damages. Such liquidated damages shall be computed with respect to each individual laborer or mechanic, including watchmen and guards, employed in violation of the clause set forth in paragraph 1 above, in the sum of \$10 for each calendar day on which such individual was required or permitted to work in excess of the standard workweek of forty hours without payment of the overtime wages required by the clause set forth in paragraph 1 above.

3. Withholding for Unpaid Wages and Liquidated Damages.

The Federal Aviation Administration or the Sponsor shall upon its own action or upon written request of an authorized representative of the Department of Labor withhold or cause to be withheld, from any monies payable on account of work performed by the contractor or subcontractor under any such contract or any other Federal contract with the same prime contractor, or any other Federally-assisted contract subject to the Contract Work Hours and Safety Standards Act, which is held by the same prime contractor, such sums as may be determined to be necessary to satisfy any liabilities of such contractor or subcontractor for unpaid wages and liquidated damages as provided in the clause set forth in paragraph 2 above.

4. Subcontractors.

The contractor or subcontractor shall insert in any subcontracts the clauses set forth in paragraphs 1 through 4 and also a clause requiring the subcontractor to include these clauses in any lower tier subcontracts. The prime contractor shall be responsible for compliance by any subcontractor or lower tier subcontractor with the clauses set forth in paragraphs 1 through 4 of this section.

10. COPELAND “ANTI-KICKBACK” ACT.

(Reference: 2 CFR § 200 Appendix II(D), 29 CFR parts 3 & 5)

APPLICABILITY.

Incorporate into all construction contracts and subcontracts that exceed \$2,000 and are financed under the AIP program.

MANDATORY CONTRACT LANGUAGE.

The United States Department of Labor Wage and Hours Division oversees the Copeland “Anti-Kickback” Act requirements. All contracts and subcontracts must meet comply with the Occupational Safety and Health Act of 1970.

United States Department of Labor Wage and Hours Division can provide information regarding any specific clauses or assurances pertaining to the Copeland “Anti-Kickback” Act requirements required to be inserted in solicitations, contracts or subcontracts.

11. DAVIS-BACON REQUIREMENTS.

(Reference: 2 CFR § 200 Appendix II(D))

APPLICABILITY.

Incorporate into all construction contracts and subcontracts that exceed \$2,000 and are financed under the AIP program.

MANDATORY CONTRACT LANGUAGE.

The mandatory language is as follows:

DAVIS-BACON REQUIREMENTS

1. Minimum Wages

(i) All laborers and mechanics employed or working upon the site of the work will be paid unconditionally and not less often than once a week, and without subsequent deduction or rebate on any account (except such payroll deductions as are permitted by the Secretary of Labor under the Copeland Act (29 CFR Part 3)), the full amount of wages and bona fide fringe benefits (or cash equivalent thereof) due

at time of payment computed at rates not less than those contained in the wage determination of the Secretary of Labor which is attached hereto and made a part hereof, regardless of any contractual relationship which may be alleged to exist between the contractor and such laborers and mechanics.

Contributions made or costs reasonably anticipated for bona fide fringe benefits under section 1(b)(2) of the Davis-Bacon Act on behalf of laborers or mechanics are considered wages paid to such laborers or mechanics, subject to the provisions of paragraph (1)(iv) of this section; also, regular contributions made or costs incurred for more than a weekly period (but not less often than quarterly) under plans, funds, or programs which cover the particular weekly period, are deemed to be constructively made or incurred during such weekly period. Such laborers and mechanics shall be paid the appropriate wage rate and fringe benefits on the wage determination for the classification of work actually performed, without regard to skill, except as provided in 29 CFR Part 5.5(a)(4). Laborers or mechanics performing work in more than one classification may be compensated at the rate specified for each classification for the time actually worked therein: *Provided*, That the employer's payroll records accurately set forth the time spent in each classification in which work is performed. The wage determination (including any additional classification and wage rates conformed under (1)(ii) of this section) and the Davis-Bacon poster (WH-1321) shall be posted at all times by the contractor and its subcontractors at the site of the work in a prominent and accessible place where it can easily be seen by the workers.

(ii)(A) The contracting officer shall require that any class of laborers or mechanics, including helpers, which is not listed in the wage determination and which is to be employed under the contract shall be classified in conformance with the wage determination. The contracting officer shall approve an additional classification and wage rate and fringe benefits therefore only when the following criteria have been met:

(1) The work to be performed by the classification requested is not performed by a classification in the wage determination; and

(2) The classification is utilized in the area by the construction industry; and

(3) The proposed wage rate, including any bona fide fringe benefits, bears a reasonable relationship to the wage rates contained in the wage determination.

(B) If the contractor and the laborers and mechanics to be employed in the classification (if known), or their representatives, and the contracting officer agree on the classification and wage rate (including the amount designated for fringe benefits where appropriate), a report of the action taken shall be sent by the contracting officer to the Administrator of the Wage and Hour Division, Employment Standards Administration, U.S. Department of Labor, Washington, D.C. 20210. The Administrator, or an authorized representative, will approve, modify, or disapprove every additional classification action within 30 days of receipt and so advise the contracting officer or will notify the contracting officer within the 30-day period that additional time is necessary.

(C) In the event the contractor, the laborers or mechanics to be employed in the classification or their representatives, and the contracting officer do not agree on the proposed classification and wage rate (including the amount designated for fringe benefits where appropriate), the contracting officer shall refer the questions, including the views of all interested parties and the recommendation of the contracting officer, to the Administrator for determination. The Administrator, or an authorized representative, will issue a determination within 30 days of receipt and so advise the contracting officer or will notify the contracting officer within the 30-day period that additional time is necessary.

(D) The wage rate (including fringe benefits where appropriate) determined pursuant to subparagraphs (1)(ii) (B) or (C) of this paragraph, shall be paid to all workers performing work in the classification under this contract from the first day on which work is performed in the classification.

(iii) Whenever the minimum wage rate prescribed in the contract for a class of laborers or mechanics includes a fringe benefit which is not expressed as an hourly rate, the contractor shall either pay the benefit as stated in the wage determination or shall pay another bona fide fringe benefit or an hourly cash equivalent thereof.

(iv) If the contractor does not make payments to a trustee or other third person, the contractor may consider as part of the wages of any laborer or mechanic the amount of any costs reasonably anticipated in providing bona fide fringe benefits under a plan or program, *Provided*, That the Secretary of Labor has found, upon the written request of the contractor, that the applicable standards of the Davis-Bacon Act have been met. The Secretary of Labor may require the contractor to set aside in a separate account assets for the meeting of obligations under the plan or program.

2 Withholding.

The Federal Aviation Administration or the Sponsor shall upon its own action or upon written request of an authorized representative of the Department of Labor withhold or cause to be withheld from the contractor under this contract or any other Federal contract with the

same prime contractor, or any other Federally-assisted contract subject to Davis-Bacon prevailing wage requirements, which is held by the same prime contractor, so much of the accrued payments or advances as may be considered necessary to pay laborers and mechanics, including apprentices, trainees, and helpers, employed by the contractor or any subcontractor the full amount of wages required by the contract. In the event of failure to pay any laborer or mechanic, including any apprentice, trainee, or helper, employed or working on the site of work, all or part of the wages required by the contract, the Federal Aviation Administration may, after written notice to the contractor, sponsor, applicant, or owner, take such action as may be necessary to cause the suspension of any further payment, advance, or guarantee of funds until such violations have ceased.

3. Payrolls and basic records.

(i) Payrolls and basic records relating thereto shall be maintained by the contractor during the course of the work and preserved for a period of three years thereafter for all laborers and mechanics working at the site of the work. Such records shall contain the name, address, and social security number of each such worker, his or her correct classification, hourly rates of wages paid (including rates of contributions or costs anticipated for bona fide fringe benefits or cash equivalents thereof of the types described in 1(b)(2)(B) of the Davis-Bacon Act), daily and weekly number of hours worked, deductions made and actual wages paid. Whenever the Secretary of Labor has found under 29 CFR 5.5(a)(1)(iv) that the wages of any laborer or mechanic include the amount of any costs reasonably anticipated in providing benefits under a plan or program described in section 1(b)(2)(B) of the Davis-Bacon Act, the contractor shall maintain records which show that the commitment to provide such benefits is enforceable, that the plan or program is financially responsible, and that the plan or program has been communicated in writing to the laborers or mechanics affected, and records which show the costs anticipated or the actual costs incurred in providing such benefits. Contractors employing apprentices or trainees under approved programs shall maintain written evidence of the registration of apprenticeship programs and certification of trainee programs, the registration of the apprentices and trainees, and the ratios and wage rates prescribed in the applicable programs.

(ii)(A) The contractor shall submit weekly for each week in which any contract work is performed a copy of all payrolls to the Federal Aviation Administration if the agency is a party to the contract, but if the agency is not such a party, the contractor will submit the payrolls to the applicant, sponsor, or owner, as the case may be, for transmission to the Federal Aviation Administration. The payrolls submitted shall set out accurately and completely all of the information required to be maintained under 29 CFR 5.5(a)(3)(i), except that full social security numbers and home addresses shall not be included on weekly transmittals. Instead the payrolls shall only need to include an individually identifying number for each employee (e.g., the last four digits of the employee's social security number). The required weekly payroll information may be submitted in any form desired. Optional Form WH-347 is available for this purpose from the Wage and Hour Division Web site at <http://www.dol.gov/esa/whd/forms/wh347instr.htm> or its successor site. The prime contractor is responsible for the submission of copies of payrolls by all subcontractors. Contractors and subcontractors shall maintain the full social security number and current address of each covered worker, and shall provide them upon request to the Federal Aviation Administration if the agency is a party to the contract, but if the agency is not such a party, the contractor will submit them to the applicant, sponsor, or owner, as the case may be, for transmission to the Federal Aviation Administration, the contractor, or the Wage and Hour Division of the Department of Labor for purposes of an investigation or audit of compliance with prevailing wage requirements. It is not a violation of this section for a prime contractor to require a subcontractor to provide addresses and social security numbers to the prime contractor for its own records, without weekly submission to the sponsoring government agency (or the applicant, sponsor, or owner).

(B) Each payroll submitted shall be accompanied by a "Statement of Compliance," signed by the contractor or subcontractor or his or her agent who pays or supervises the payment of the persons employed under the contract and shall certify the following:

- (1) That the payroll for the payroll period contains the information required to be provided under 29 CFR § 5.5(a)(3)(ii), the appropriate information is being maintained under 29 CFR § 5.5 (a)(3)(i) and that such information is correct and complete;
- (2) That each laborer and mechanic (including each helper, apprentice and trainee) employed on the contract during the payroll period has been paid the full weekly wages earned, without rebate, either directly or indirectly, and that no deductions have been made either directly or indirectly from the full wages earned, other than permissible deductions as set forth in Regulations 29 CFR Part 3;
- (3) That each laborer or mechanic has been paid not less than the applicable wage rates and fringe benefits or cash equivalents for the classification of work performed, as specified in the applicable wage determination incorporated into the contract.

(C) The weekly submission of a properly executed certification set forth on the reverse side of Optional Form WH-347 shall satisfy the requirement for submission of the "Statement of Compliance" required by paragraph (3)(ii)(B) of this section.

(D) The falsification of any of the above certifications may subject the contractor or subcontractor to civil or criminal prosecution under Section 1001 of Title 18 and Section 231 of Title 31 of the United States Code.

(iii) The contractor or subcontractor shall make the records required under paragraph (3)(i) of this section available for inspection, copying or transcription by authorized representatives of the Sponsor, the Federal Aviation Administration or the Department of Labor, and shall permit such representatives to interview employees during working hours on the job. If the contractor or subcontractor fails to submit the required records or to make them available, the Federal agency may, after written notice to the contractor, sponsor, applicant or owner, take such action as may be necessary to cause the suspension of any further payment, advance, or guarantee of funds. Furthermore, failure to submit the required records upon request or to make such records available may be grounds for debarment action pursuant to 29 CFR 5.12.

4. Apprentices and Trainees.

(i) Apprentices. Apprentices will be permitted to work at less than the predetermined rate for the work they performed when they are employed pursuant to and individually registered in a bona fide apprenticeship program registered with the U.S. Department of Labor, Employment and Training Administration, Bureau of Apprenticeship and Training, or with a State Apprenticeship Agency recognized by the Bureau, or if a person is employed in his or her first 90 days of probationary employment as an apprentice in such an apprenticeship program, who is not individually registered in the program, but who has been certified by the Bureau of Apprenticeship and Training or a State Apprenticeship Agency (where appropriate) to be eligible for probationary employment as an apprentice. The allowable ratio of apprentices to journeymen on the job site in any craft classification shall not be greater than the ratio permitted to the contractor as to the entire work force under the registered program. Any worker listed on a payroll at an apprentice wage rate, who is not registered or otherwise employed as stated above, shall be paid not less than the applicable wage rate on the wage determination for the classification of work actually performed. In addition, any apprentice performing work on the job site in excess of the ratio permitted under the registered program shall be paid not less than the applicable wage rate on the wage determination for the work actually performed. Where a contractor is performing construction on a project in a locality other than that in which its program is registered, the ratios and wage rates (expressed in percentages of the journeyman's hourly rate) specified in the contractor's or subcontractor's registered program shall be observed. Every apprentice must be paid at not less than the rate specified in the registered program for the apprentice's level of progress, expressed as a percentage of the journeymen hourly rate specified in the applicable wage determination. Apprentices shall be paid fringe benefits in accordance with the provisions of the apprenticeship program. If the apprenticeship program does not specify fringe benefits, apprentices must be paid the full amount of fringe benefits listed on the wage determination for the applicable classification. If the Administrator determines that a different practice prevails for the applicable apprentice classification, fringes shall be paid in accordance with that determination. In the event the Bureau of Apprenticeship and Training, or a State Apprenticeship Agency recognized by the Bureau, withdraws approval of an apprenticeship program, the contractor will no longer be permitted to utilize apprentices at less than the applicable predetermined rate for the work performed until an acceptable program is approved.

(ii) Trainees. Except as provided in 29 CFR 5.16, trainees will not be permitted to work at less than the predetermined rate for the work performed unless they are employed pursuant to and individually registered in a program which has received prior approval, evidenced by formal certification by the U.S. Department of Labor, Employment and Training Administration. The ratio of trainees to journeymen on the job site shall not be greater than permitted under the plan approved by the Employment and Training Administration. Every trainee must be paid at not less than the rate specified in the approved program for the trainee's level of progress, expressed as a percentage of the journeyman hourly rate specified in the applicable wage determination. Trainees shall be paid fringe benefits in accordance with the provisions of the trainee program. If the trainee program does not mention fringe benefits, trainees shall be paid the full amount of fringe benefits listed on the wage determination unless the Administrator of the Wage and Hour Division determines that there is an apprenticeship program associated with the corresponding journeyman wage rate on the wage determination which provides for less than full fringe benefits for apprentices. Any employee listed on the payroll at a trainee rate that is not registered and participating in a training plan approved by the Employment and Training Administration shall be paid not less than the applicable wage rate on the wage determination for the classification of work actually performed. In addition, any trainee performing work on the job site in excess of the ratio permitted under the registered program shall be paid not less than the applicable wage rate on the wage determination for the work actually performed. In the event the Employment and Training Administration withdraws approval of a training program, the contractor will no longer be permitted to utilize trainees at less than the applicable predetermined rate for the work performed until an acceptable program is approved.

(iii) Equal Employment Opportunity. The utilization of apprentices, trainees and journeymen under this part shall be in conformity with the equal employment opportunity requirements of Executive Order 11246, as amended, and 29 CFR Part 30.

5. Compliance With Copeland Act Requirements.

The contractor shall comply with the requirements of 29 CFR Part 3, which are incorporated by reference in this contract.

6. Subcontracts.

The contractor or subcontractor shall insert in any subcontracts the clauses contained in 29 CFR Part 5.5(a)(1) through (10) and such other clauses as the Federal Aviation Administration may by appropriate instructions require, and also a clause requiring the subcontractors to include these clauses in any lower tier subcontracts. The prime contractor shall be responsible for the compliance by any subcontractor or lower tier subcontractor with all the contract clauses in 29 CFR Part 5.5.

7. Contract Termination: Debarment.

A breach of the contract clauses in paragraph 1 through 10 of this section may be grounds for termination of the contract, and for debarment as a contractor and a subcontractor as provided in 29 CFR 5.12.

8. Compliance With Davis-Bacon and Related Act Requirements.

All rulings and interpretations of the Davis-Bacon and Related Acts contained in 29 CFR Parts 1, 3, and 5 are herein incorporated by reference in this contract.

9. Disputes Concerning Labor Standards.

Disputes arising out of the labor standards provisions of this contract shall not be subject to the general disputes clause of this contract. Such disputes shall be resolved in accordance with the procedures of the Department of Labor set forth in 29 CFR Parts 5, 6 and 7. Disputes within the meaning of this clause include disputes between the contractor (or any of its subcontractors) and the contracting agency, the U.S. Department of Labor, or the employees or their representatives.

10. Certification of Eligibility.

(i) By entering into this contract, the contractor certifies that neither it (nor he or she) nor any person or firm who has an interest in the contractor's firm is a person or firm ineligible to be awarded Government contracts by virtue of section 3(a) of the Davis-Bacon Act or 29 CFR 5.12(a)(1).

(ii) No part of this contract shall be subcontracted to any person or firm ineligible for award of a Government contract by virtue of section 3(a) of the Davis-Bacon Act or 29 CFR 5.12(a)(1).

(iii) The penalty for making false statements is prescribed in the U.S. Criminal Code, 18 U.S.C. 1001.

12. DEBARMENT AND SUSPENSION (NON-PROCUREMENT).

(Reference: 2 CFR part 180 (Subpart C), 2 CFR part 1200, DOT Order 4200.5 DOT Suspension & Debarment Procedures & Ineligibility)

APPLICABILITY.

The contract agreement that ultimately results from this solicitation is a "covered transaction" as defined by Title 2 CFR Part 180. Bidder must certify at the time they submit their proposal that neither it nor its principals are presently debarred or suspended by any Federal department or agency from participation in this transaction. The bidder with the successful bid further agrees to comply with Title 2 CFR Part 1200 and Title 2 CFR Part 180, Subpart C by administering each lower tier subcontract that exceeds \$25,000 as a "covered transaction".

Incorporate in all contracts and subcontracts that exceed \$25,000.

MANDATORY CONTRACT LANGUAGE.

CERTIFICATE REGARDING DEBARMENT AND SUSPENSION (BIDDER OR OFFEROR)

By submitting a bid/proposal under this solicitation, the bidder or offeror certifies that at the time the bidder or offeror submits its proposal that neither it nor its principals are presently debarred or suspended by any Federal department or agency from participation in this transaction.

CERTIFICATION REGARDING DEBARMENT AND SUSPENSION (SUCCESSFUL BIDDER REGARDING LOWER TIER PARTICIPANTS)

The successful bidder, by administering each lower tier subcontract that exceeds \$25,000 as a "covered transaction", must verify each lower tier participant of a "covered transaction" under the project is not presently debarred or otherwise disqualified from participation in this federally assisted project. The successful bidder will accomplish this by:

1. Checking the System for Award Management at website: <http://www.sam.gov>
2. Collecting a certification statement similar to the Certificate Regarding Debarment and Suspension (Bidder or Offeror), above.
3. Inserting a clause or condition in the covered transaction with the lower tier contract

If the FAA later determines that a lower tier participant failed to tell a higher tier that it was excluded or disqualified at the time it entered the covered transaction, the FAA may pursue any available remedy, including suspension and debarment.

13. DISADVANTAGED BUSINESS ENTERPRISE.

(Reference: 49 CFR part 26)

APPLICABILITY.

The Disadvantaged Business Enterprise requirements found in 49 CFR part 26, apply to all AIP-funded projects and must be included in all contracts and subcontracts. This includes both project with contract goals and project relying on race/gender neutral means.

MANDATORY CONTRACT LANGUAGE.

The mandatory language that must be used on AIP funded project contracts is as follows. Other than to insert appropriate Sponsor information into the noted spaces, the Sponsor must not modify these contract clauses:

DISADVANTAGED BUSINESS ENTERPRISES

Contract Assurance (§ 26.13) - The contractor or subcontractor shall not discriminate on the basis of race, color, national origin, or sex in the performance of this contract. The contractor shall carry out applicable requirements of 49 CFR Part 26 in the award and administration of DOT assisted contracts. Failure by the contractor to carry out these requirements is a material breach of this contract, which may result in the termination of this contract or such other remedy, as the recipient deems appropriate.

Prompt Payment (§26.29)- The prime contractor agrees to pay each subcontractor under this prime contract for satisfactory performance of its contract no later than {specify number} days from the receipt of each payment the prime contractor receives from {Name of recipient}. The prime contractor agrees further to return retainage payments to each subcontractor within {specify the same number as above} days after the subcontractor's work is satisfactorily completed. Any delay or postponement of payment from the above referenced time frame may occur only for good cause following written approval of the {Name of Recipient}. This clause applies to both DBE and non-DBE subcontractors.

14. ENERGY CONSERVATION REQUIREMENTS.

(Reference 2 CFR § 200 Appendix II(H))

APPLICABILITY.

The Energy Conservation Requirements found in 2 CFR § 200 Appendix II(H), apply to all AIP-funded construction and equipment projects and must be included in all contracts and subcontracts.

MANDATORY CONTRACT LANGUAGE.

The regulation does not prescribe mandatory language, however the following clause represents sample language that meets the intent of 2 CFR § 200 Appendix II(H):

ENERGY CONSERVATION REQUIREMENTS

The contractor agrees to comply with mandatory standards and policies relating to energy efficiency that are contained in the state energy conservation plan issued in compliance with the Energy Policy and Conservation Act (Public Law 94-163).

15. EQUAL OPPORTUNITY CLAUSE AND SPECIFICATIONS.

(Reference 41 CFR § 60-1.4, Executive Order 11246)

APPLICABILITY.

Incorporate contract language and specifications into all construction contracts and subcontracts that exceed \$10,000 and are financed under the AIP program.

MANDATORY CONTRACT LANGUAGE.

41 CFR § 60-1.4 provides the mandatory contract language, but allows such necessary changes in language to be made to identify properly the parties and their undertakings. 41 CFR § 60-4.3 provides the mandatory specifications.

EQUAL OPPORTUNITY CLAUSE

During the performance of this contract, the contractor agrees as follows:

(1) The contractor will not discriminate against any employee or applicant for employment because of race, color, religion, sex, or national origin. The contractor will take affirmative action to ensure that applicants are employed, and that employees are treated during employment without regard to their race, color, religion, sex, or national origin. such action shall include, but not be limited to the following: Employment, upgrading, demotion, or transfer; recruitment or recruitment advertising; layoff or termination; rates of pay or other forms of compensation; and selection for training, including apprenticeship. The contractor agrees to post in conspicuous places, available to employees and applicants for employment, notices to be provided setting forth the provisions of this nondiscrimination clause.

(2) The contractor will, in all solicitations or advertisements for employees placed by or on behalf of the contractor, state that all qualified applicants will receive considerations for employment without regard to race, color, religion, sex, or national origin.

(3) The contractor will send to each labor union or representative of workers with which he has a collective bargaining agreement or other contract or understanding, a notice to be provided advising the said labor union or workers' representatives of the contractor's commitments under this section, and shall post copies of the notice in conspicuous places available to employees and applicants for employment.

(4) The contractor will comply with all provisions of Executive Order 11246 of September 24, 1965, and of the rules, regulations, and relevant orders of the Secretary of Labor.

(5) The contractor will furnish all information and reports required by Executive Order 11246 of September 24, 1965, and by rules, regulations, and orders of the Secretary of Labor, or pursuant thereto, and will permit access to his books, records, and accounts by the administering agency and the Secretary of Labor for purposes of investigation to ascertain compliance with such rules, regulations, and orders.

(6) In the event of the contractor's noncompliance with the nondiscrimination clauses of this contract or with any of the said rules, regulations, or orders, this contract may be canceled, terminated, or suspended in whole or in part and the contractor may be declared ineligible for further Government contracts or federally assisted construction contracts in accordance with procedures authorized in Executive Order 11246 of September 24, 1965, and such other sanctions may be imposed and remedies invoked as provided in Executive Order 11246 of September 24, 1965, or by rule, regulation, or order of the Secretary of Labor, or as otherwise provided by law.

(7) The contractor will include the portion of the sentence immediately preceding paragraph (1) and the provisions of paragraphs (1) through (7) in every subcontract or purchase order unless exempted by rules, regulations, or orders of the Secretary of Labor issued pursuant to section 204 of Executive Order 11246 of September 24, 1965, so that such provisions will be binding upon each subcontractor or vendor. The contractor will take such action with respect to any subcontract or purchase order as the administering agency may direct as a means of enforcing such provisions, including sanctions for noncompliance: Provided, however, That in the event a contractor becomes involved in, or is threatened with, litigation with a subcontractor or vendor as a result of such direction by the administering agency the contractor may request the United States to enter into such litigation to protect the interests of the United States.

STANDARD FEDERAL EQUAL EMPLOYMENT OPPORTUNITY CONSTRUCTION CONTRACT SPECIFICATIONS

1. As used in these specifications:

- a. "Covered area" means the geographical area described in the solicitation from which this contract resulted;
- b. "Director" means Director, Office of Federal Contract Compliance Programs (OFCCP), U.S. Department of Labor, or any person to whom the Director delegates authority;
- c. "Employer identification number" means the Federal social security number used on the Employer's Quarterly Federal Tax Return, U.S. Treasury Department Form 941;

d. "Minority" includes:

- (1) Black (all) persons having origins in any of the Black African racial groups not of Hispanic origin);
- (2) Hispanic (all persons of Mexican, Puerto Rican, Cuban, Central or South American, or other Spanish culture or origin regardless of race);
- (3) Asian and Pacific Islander (all persons having origins in any of the original peoples of the Far East, Southeast Asia, the Indian Subcontinent, or the Pacific Islands); and
- (4) American Indian or Alaskan native (all persons having origins in any of the original peoples of North America and maintaining identifiable tribal affiliations through membership and participation or community identification).

2. Whenever the contractor, or any subcontractor at any tier, subcontracts a portion of the work involving any construction trade, it shall physically include in each subcontract in excess of \$10,000 the provisions of these specifications and the Notice which contains the applicable goals for minority and female participation and which is set forth in the solicitations from which this contract resulted.

3. If the contractor is participating (pursuant to 41 CFR 60-4.5) in a Hometown Plan approved by the U.S. Department of Labor in the covered area either individually or through an association, its affirmative action obligations on all work in the Plan area (including goals and timetables) shall be in accordance with that Plan for those trades which have unions participating in the Plan. Contractors shall be able to demonstrate their participation in and compliance with the provisions of any such Hometown Plan. Each contractor or subcontractor participating in an approved plan is individually required to comply with its obligations under the EEO clause and to make a good faith effort to achieve each goal under the Plan in each trade in which it has employees. The overall good faith performance by other contractors or subcontractors toward a goal in an approved Plan does not excuse any covered contractor's or subcontractor's failure to take good faith efforts to achieve the Plan goals and timetables.

4. The contractor shall implement the specific affirmative action standards provided in paragraphs 18.7a through 18.7p of these specifications. The goals set forth in the solicitation from which this contract resulted are expressed as percentages of the total hours of employment and training of minority and female utilization the contractor should reasonably be able to achieve in each construction trade in which it has employees in the covered area. Covered construction contractors performing construction work in a geographical area where they do not have a Federal or federally assisted construction contract shall apply the minority and female goals established for the geographical area where the work is being performed. Goals are published periodically in the Federal Register in notice form, and such notices may be obtained from any Office of Federal Contract Compliance Programs office or from Federal procurement contracting officers. The contractor is expected to make substantially uniform progress in meeting its goals in each craft during the period specified.

5. Neither the provisions of any collective bargaining agreement nor the failure by a union with whom the contractor has a collective bargaining agreement to refer either minorities or women shall excuse the contractor's obligations under these specifications, Executive Order 11246 or the regulations promulgated pursuant thereto.

6. In order for the non-working training hours of apprentices and trainees to be counted in meeting the goals, such apprentices and trainees shall be employed by the contractor during the training period and the contractor shall have made a commitment to employ the apprentices and trainees at the completion of their training, subject to the availability of employment opportunities. Trainees shall be trained pursuant to training programs approved by the U.S. Department of Labor.

7. The contractor shall take specific affirmative actions to ensure equal employment opportunity. The evaluation of the contractor's compliance with these specifications shall be based upon its effort to achieve maximum results from its actions. The contractor shall document these efforts fully and shall implement affirmative action steps at least as extensive as the following:

- a. Ensure and maintain a working environment free of harassment, intimidation, and coercion at all sites, and in all facilities at which the contractor's employees are assigned to work. The contractor, where possible, will assign two or more women to each construction project. The contractor shall specifically ensure that all foremen, superintendents, and other onsite supervisory personnel are aware of and carry out the contractor's obligation to maintain such a working environment, with specific attention to minority or female individuals working at such sites or in such facilities.
- b. Establish and maintain a current list of minority and female recruitment sources, provide written notification to minority and female recruitment sources and to community organizations when the contractor or its unions have employment opportunities available, and maintain a record of the organizations' responses.

- c. Maintain a current file of the names, addresses, and telephone numbers of each minority and female off-the-street applicant and minority or female referral from a union, a recruitment source, or community organization and of what action was taken with respect to each such individual. If such individual was sent to the union hiring hall for referral and was not referred back to the contractor by the union or, if referred, not employed by the contractor, this shall be documented in the file with the reason therefore along with whatever additional actions the contractor may have taken.
- d. Provide immediate written notification to the Director when the union or unions with which the contractor has a collective bargaining agreement has not referred to the contractor a minority person or female sent by the contractor, or when the contractor has other information that the union referral process has impeded the contractor's efforts to meet its obligations.
- e. Develop on-the-job training opportunities and/or participate in training programs for the area which expressly include minorities and women, including upgrading programs and apprenticeship and trainee programs relevant to the contractor's employment needs, especially those programs funded or approved by the Department of Labor. The contractor shall provide notice of these programs to the sources compiled under 7b above.
- f. Disseminate the contractor's EEO policy by providing notice of the policy to unions and training programs and requesting their cooperation in assisting the contractor in meeting its EEO obligations; by including it in any policy manual and collective bargaining agreement; by publicizing it in the company newspaper, annual report, etc.; by specific review of the policy with all management personnel and with all minority and female employees at least once a year; and by posting the company EEO policy on bulletin boards accessible to all employees at each location where construction work is performed.
- g. Review, at least annually, the company's EEO policy and affirmative action obligations under these specifications with all employees having any responsibility for hiring, assignment, layoff, termination, or other employment decisions including specific review of these items with onsite supervisory personnel such as superintendents, general foremen, etc., prior to the initiation of construction work at any job site. A written record shall be made and maintained identifying the time and place of these meetings, persons attending, subject matter discussed, and disposition of the subject matter.
- h. Disseminate the contractor's EEO policy externally by including it in any advertising in the news media, specifically including minority and female news media, and providing written notification to and discussing the contractor's EEO policy with other contractors and subcontractors with whom the contractor does or anticipates doing business.
- i. Direct its recruitment efforts, both oral and written, to minority, female, and community organizations, to schools with minority and female students; and to minority and female recruitment and training organizations serving the contractor's recruitment area and employment needs. Not later than one month prior to the date for the acceptance of applications for apprenticeship or other training by any recruitment source, the contractor shall send written notification to organizations, such as the above, describing the openings, screening procedures, and tests to be used in the selection process.
- j. Encourage present minority and female employees to recruit other minority persons and women and, where reasonable provide after school, summer, and vacation employment to minority and female youth both on the site and in other areas of a contractor's workforce.
- k. Validate all tests and other selection requirements where there is an obligation to do so under 41 CFR Part 60-3.
- l. Conduct, at least annually, an inventory and evaluation at least of all minority and female personnel, for promotional opportunities and encourage these employees to seek or to prepare for, through appropriate training, etc., such opportunities.
- m. Ensure that seniority practices, job classifications, work assignments, and other personnel practices do not have a discriminatory effect by continually monitoring all personnel and employment related activities to ensure that the EEO policy and the contractor's obligations under these specifications are being carried out.
- n. Ensure that all facilities and company activities are non-segregated except that separate or single user toilet and necessary changing facilities shall be provided to assure privacy between the sexes.
- o. Document and maintain a record of all solicitations of offers for subcontracts from minority and female construction contractors and suppliers, including circulation of solicitations to minority and female contractor associations and other business associations.
- p. Conduct a review, at least annually, of all supervisor's adherence to and performance under the contractor's EEO policies and affirmative action obligations.

8. Contractors are encouraged to participate in voluntary associations, which assist in fulfilling one or more of their affirmative action obligations (18.7a through 18.7p). The efforts of a contractor association, joint contractor union, contractor community, or other similar groups of which the contractor is a member and participant, may be asserted as fulfilling any one or more of its obligations under 18.7a through 18.7p of these specifications provided that the contractor actively participates in the group, makes every effort to assure that the group has a positive impact on the employment of minorities and women in the industry, ensures that the concrete benefits of the program are reflected in the contractor's minority and female workforce participation, makes a good faith effort to meet its individual goals and timetables, and can provide access to documentation which demonstrates the effectiveness of actions taken on behalf of the contractor. The obligation to comply, however, is the contractor's and failure of such a group to fulfill an obligation shall not be a defense for the contractor's noncompliance.

9. A single goal for minorities and a separate single goal for women have been established. The contractor, however, is required to provide equal employment opportunity and to take affirmative action for all minority groups, both male and female, and all women, both minority and non-minority. Consequently, if the particular group is employed in a substantially disparate manner (for example, even though the contractor has achieved its goals for women generally,) the contractor may be in violation of the Executive Order if a specific minority group of women is underutilized.

10. The contractor shall not use the goals and timetables or affirmative action standards to discriminate against any person because of race, color, religion, sex, or national origin.

11. The contractor shall not enter into any subcontract with any person or firm debarred from Government contracts pursuant to Executive Order 11246.

12. The contractor shall carry out such sanctions and penalties for violation of these specifications and of the Equal Opportunity Clause, including suspension, termination, and cancellation of existing subcontracts as may be imposed or ordered pursuant to Executive Order 11246, as amended, and its implementing regulations, by the Office of Federal Contract Compliance Programs. Any contractor who fails to carry out such sanctions and penalties shall be in violation of these specifications and Executive Order 11246, as amended.

13. The contractor, in fulfilling its obligations under these specifications, shall implement specific affirmative action steps, at least as extensive as those standards prescribed in paragraph 18.7 of these specifications, so as to achieve maximum results from its efforts to ensure equal employment opportunity. If the contractor fails to comply with the requirements of the Executive Order, the implementing regulations, or these specifications, the Director shall proceed in accordance with 41 CFR 60-4.8.

14. The contractor shall designate a responsible official to monitor all employment related activity to ensure that the company EEO policy is being carried out, to submit reports relating to the provisions hereof as may be required by the Government, and to keep records. Records shall at least include for each employee, the name, address, telephone number, construction trade, union affiliation if any, employee identification number when assigned, social security number, race, sex, status (e.g., mechanic, apprentice, trainee, helper, or laborer), dates of changes in status, hours worked per week in the indicated trade, rate of pay, and locations at which the work was performed. Records shall be maintained in an easily understandable and retrievable form; however, to the degree that existing records satisfy this requirement, contractors shall not be required to maintain separate records.

15. Nothing herein provided shall be construed as a limitation upon the application of other laws which establish different standards of compliance or upon the application of requirements for the hiring of local or other area residents (e.g., those under the Public Works Employment Act of 1977 and the Community Development Block Grant Program).

16. FEDERAL FAIR LABOR STANDARDS ACT (FEDERAL MINIMUM WAGE).

(Reference: 29 USC § 201, et seq.)

APPLICABILITY.

The federal minimum wage provisions are contained in the Fair Labor Standards Act (FLSA) which is administered by the United States Department of Labor Wage and Hour Division. All contracts and subcontracts must meet comply with the FLSA, including the recordkeeping standards of the Act.

MANDATORY CONTRACT LANGUAGE.

All contracts and subcontracts that result from this solicitation incorporate the following provisions by reference, with the same force and effect as if given in full text. The contractor has full responsibility to monitor compliance to the referenced statute or regulation. The contractor must address any claims or disputes that pertain to a referenced requirement directly with the Federal Agency with enforcement responsibilities.

Requirement	Federal Agency with Enforcement Responsibilities
Federal Fair Labor Standards Act (29 USC 201)	U.S. Department of Labor – Wage and Hour Division

17. LOBBYING AND INFLUENCING FEDERAL EMPLOYEES.

(Reference: 49 CFR part 20, Appendix A)

APPLICABILITY.

The Lobbying and Influencing Federal Employees prohibition found in 49 CFR part 20, Appendix A, applies to all AIP-funded projects and must be included in all contracts and subcontracts.

MANDATORY CONTRACT LANGUAGE.

The mandatory language that must be used on AIP funded project contracts is as follows:

LOBBYING AND INFLUENCING FEDERAL EMPLOYEES

The bidder or offeror certifies by signing and submitting this bid or proposal, to the best of his or her knowledge and belief, that:

- 1) No Federal appropriated funds have been paid or will be paid, by or on behalf of the bidder or offeror, to any person for influencing or attempting to influence an officer or employee of an agency, a Member of Congress, an officer or employee of Congress, or an employee of a Member of Congress in connection with the awarding of any Federal contract, the making of any Federal grant, the making of any Federal loan, the entering into of any cooperative agreement, and the extension, continuation, renewal, amendment, or modification of any Federal contract, grant, loan, or cooperative agreement.
- 2) If any funds other than Federal appropriated funds have been paid or will be paid to any person for influencing or attempting to influence an officer or employee of any agency, a Member of Congress, an officer or employee of Congress, or an employee of a Member of Congress in connection with this Federal contract, grant, loan, or cooperative agreement, the undersigned shall complete and submit Standard Form-LLL, "Disclosure Form to Report Lobbying," in accordance with its instructions.

This certification is a material representation of fact upon which reliance was placed when this transaction was made or entered into. Submission of this certification is a prerequisite for making or entering into this transaction imposed by section 1352, title 31, U.S. Code. Any person who fails to file the required certification shall be subject to a civil penalty of not less than \$10,000 and not more than \$100,000 for each such failure.

18. NONSEGREGATED FACILITIES REQUIREMENT.

(Reference: 41 CFR § 60-1.8)

APPLICABILITY.

Incorporate in all construction contracts and subcontracts that exceed \$10,000. The notices must be placed within the solicitation for proposals. The actual certification must be incorporated in the contract agreement.

MANDATORY CONTRACT LANGUAGE AND NOTICE.

NOTICE OF NONSEGREGATED FACILITIES REQUIREMENT

Notice to Prospective Federally Assisted Construction Contractors

1. A Certification of Non-segregated Facilities shall be submitted prior to the award of a federally-assisted construction contract exceeding \$10,000 which is not exempt from the provisions of the Equal Opportunity Clause.
2. Contractors receiving federally-assisted construction contract awards exceeding \$10,000 which are not exempt from the provisions of the Equal Opportunity Clause will be required to provide for the forwarding of the following notice to prospective subcontractors for supplies and construction contracts where the subcontracts exceed \$10,000 and are not exempt from the provisions of the Equal Opportunity Clause.

3. The penalty for making false statements in offers is prescribed in 18 U.S.C. § 1001.

Notice to Prospective Subcontractors of Requirements for Certification of Non-Segregated Facilities

1. A Certification of Non-segregated Facilities shall be submitted prior to the award of a subcontract exceeding \$10,000, which is not exempt from the provisions of the Equal Opportunity Clause.

2. Contractors receiving subcontract awards exceeding \$10,000 which are not exempt from the provisions of the Equal Opportunity Clause will be required to provide for the forwarding of this notice to prospective subcontractors for supplies and construction contracts where the subcontracts exceed \$10,000 and are not exempt from the provisions of the Equal Opportunity Clause.

3. The penalty for making false statements in offers is prescribed in 18 U.S.C. § 1001.

CERTIFICATION OF NONSEGREGATED FACILITIES

The federally-assisted construction contractor certifies that she or he does not maintain or provide, for his employees, any segregated facilities at any of his establishments and that she or he does not permit his employees to perform their services at any location, under his control, where segregated facilities are maintained. The federally-assisted construction contractor certifies that she or he will not maintain or provide, for his employees, segregated facilities at any of his establishments and that she or he will not permit his employees to perform their services at any location under his control where segregated facilities are maintained. The federally-assisted construction contractor agrees that a breach of this certification is a violation of the Equal Opportunity Clause in this contract.

As used in this certification, the term "segregated facilities" means any waiting rooms, work areas, restrooms, and washrooms, restaurants and other eating areas, time clocks, locker rooms and other storage or dressing areas, parking lots, drinking fountains, recreation or entertainment areas, transportation, and housing facilities provided for employees which are segregated by explicit directives or are, in fact, segregated on the basis of race, color, religion, or national origin because of habit, local custom, or any other reason. The federally-assisted construction contractor agrees that (except where she or he has obtained identical certifications from proposed subcontractors for specific time periods) she or he will obtain identical certifications from proposed subcontractors prior to the award of subcontracts exceeding \$10,000 which are not exempt from the provisions of the Equal Opportunity Clause and that she or he will retain such certifications in his files.

19. OCCUPATIONAL SAFETY AND HEALTH ACT OF 1970.

(Reference 20 CFR part 1910)

APPLICABILITY.

The United States Department of Labor Occupational Safety & Health Administration (OSHA) oversees the workplace health and safety standards wage provisions from the Occupational Safety and Health Act of 1970. All contracts and subcontracts must meet comply with the Occupational Safety and Health Act of 1970.

MANDATORY CONTRACT LANGUAGE.

All contracts and subcontracts that result from this solicitation incorporate the following provisions by reference, with the same force and effect as if given in full text. The contractor has full responsibility to monitor compliance to the referenced statute or regulation. The contractor must address any claims or disputes that pertain to a referenced requirement directly with the Federal Agency with enforcement responsibilities.

Requirement	Federal Agency with Enforcement Responsibilities
Occupational Safety and Health Act of 1970 (20 CFR Part 1910)	U.S. Department of Labor – Occupational Safety and Health Administration

20. RIGHT TO INVENTIONS.

(Reference 2 CFR § 200 Appendix II(F))

APPLICABILITY.

The requirement for rights to inventions and materials found in 2 CFR § 200 Appendix II(F) applies to all AIP-funded projects and must be included in all contracts and subcontracts.

MANDATORY CONTRACT LANGUAGE.

The regulation does not prescribe mandatory language, however the following clause represents sample language that meets the intent of 2 CFR § 200 Appendix II(F).

RIGHTS TO INVENTIONS

All rights to inventions and materials generated under this contract are subject to requirements and regulations issued by the FAA and the Sponsor of the Federal grant under which this contract is executed.

21. TERMINATION OF CONTRACT.

(Reference 2 CFR § 200 Appendix II(B))

APPLICABILITY.

Incorporate in all contracts and subcontracts that exceed \$10,000.

MANDATORY CONTRACT LANGUAGE.

TERMINATION OF CONTRACT

a. The Sponsor may, by written notice, terminate this contract in whole or in part at any time, either for the Sponsor's convenience or because of failure to fulfill the contract obligations. Upon receipt of such notice services must be immediately discontinued (unless the notice directs otherwise) and all materials as may have been accumulated in performing this contract, whether completed or in progress, delivered to the Sponsor.

b. If the termination is for the convenience of the Sponsor, an equitable adjustment in the contract price will be made, but no amount will be allowed for anticipated profit on unperformed services.

c. If the termination is due to failure to fulfill the contractor's obligations, the Sponsor may take over the work and prosecute the same to completion by contract or otherwise. In such case, the contractor is liable to the Sponsor for any additional cost occasioned to the Sponsor thereby.

d. If, after notice of termination for failure to fulfill contract obligations, it is determined that the contractor had not so failed, the termination will be deemed to have been effected for the convenience of the Sponsor. In such event, adjustment in the contract price will be made as provided in paragraph 2 of this clause.

e. The rights and remedies of the sponsor provided in this clause are in addition to any other rights and remedies provided by law or under this contract.

22. TRADE RESTRICTION.

(Reference: 49 CFR part 30)

APPLICABILITY.

The trade restriction clause applies to all AIP-funded projects and must be included in all contracts and subcontracts.

MANDATORY CONTRACT LANGUAGE.

The mandatory language is as follows:

TRADE RESTRICTION CLAUSE

The contractor or subcontractor, by submission of an offer and/or execution of a contract, certifies that it:

a. is not owned or controlled by one or more citizens of a foreign country included in the list of countries that discriminate against U.S. firms published by the Office of the United States Trade Representative (USTR);

- b. has not knowingly entered into any contract or subcontract for this project with a person that is a citizen or national of a foreign country on said list, or is owned or controlled directly or indirectly by one or more citizens or nationals of a foreign country on said list;
- c. has not procured any product nor subcontracted for the supply of any product for use on the project that is produced in a foreign country on said list.

Unless the restrictions of this clause are waived by the Secretary of Transportation in accordance with 49 CFR 30.17, no contract shall be awarded to a contractor or subcontractor who is unable to certify to the above. If the contractor knowingly procures or subcontracts for the supply of any product or service of a foreign country on said list for use on the project, the Federal Aviation Administration may direct through the Sponsor cancellation of the contract at no cost to the Government.

Further, the contractor agrees that, if awarded a contract resulting from this solicitation, it will incorporate this provision for certification without modification in each contract and in all lower tier subcontracts. The contractor may rely on the certification of a prospective subcontractor unless it has knowledge that the certification is erroneous.

The contractor shall provide immediate written notice to the sponsor if the contractor learns that its certification or that of a subcontractor was erroneous when submitted or has become erroneous by reason of changed circumstances. The subcontractor agrees to provide written notice to the contractor if at any time it learns that its certification was erroneous by reason of changed circumstances.

This certification is a material representation of fact upon which reliance was placed when making the award. If it is later determined that the contractor or subcontractor knowingly rendered an erroneous certification, the Federal Aviation Administration may direct through the Sponsor cancellation of the contract or subcontract for default at no cost to the Government.

Nothing contained in the foregoing shall be construed to require establishment of a system of records in order to render, in good faith, the certification required by this provision. The knowledge and information of a contractor is not required to exceed that which is normally possessed by a prudent person in the ordinary course of business dealings.

This certification concerns a matter within the jurisdiction of an agency of the United States of America and the making of a false, fictitious, or fraudulent certification may render the maker subject to prosecution under Title 18, United States Code, Section 1001.

23. TEXTING WHEN DRIVING.

(References: Executive Order 13513, and DOT Order 3902.10)

APPLICABILITY.

In accordance with Executive Order 13513, "Federal Leadership on Reducing Text Messaging While Driving" (10/1/2009) and DOT Order 3902.10 "Text Messaging While Driving" (12/30/2009), FAA encourages recipients of Federal grant funds to adopt and enforce safety policies that decrease crashes by distracted drivers, including policies to ban text messaging while driving when performing work related to a grant or sub-grant.

MANDATORY CONTRACT LANGUAGE.

By adopting the Applicability Language, the following contract language will meet the intent and requirement for Texting When Driving:

TEXTING WHEN DRIVING

In accordance with Executive Order 13513, "Federal Leadership on Reducing Text Messaging While Driving" (10/1/2009) and DOT Order 3902.10 "Text Messaging While Driving" (12/30/2009), FAA encourages recipients of Federal grant funds to adopt and enforce safety policies that decrease crashes by distracted drivers, including policies to ban text messaging while driving when performing work related to a grant or sub-grant.

The Contractor must promote policies and initiatives for employees and other work personnel that decrease crashes by distracted drivers, including policies to ban text messaging while driving. The Contractor must include these policies in each third party subcontract involved on this project.

24. VETERAN'S PREFERENCE.

(Reference: 49 USC § 47112(c))

APPLICABILITY.

The Veteran's preference clause found in 49 USC § 47112(c) applies to all AIP-funded projects and must be included in all contracts and subcontracts that involve labor

MANDATORY CONTRACT LANGUAGE.

The regulation does not prescribe mandatory language, however the following clause represents sample language that meets the intent of 49 USC § 47112(c) is as follows:

VETERAN'S PREFERENCE

In the employment of labor (except in executive, administrative, and supervisory positions), preference must be given to Vietnam era veterans, Persian Gulf veterans, Afghanistan-Iraq war veterans, disabled veterans, and small business concerns owned and controlled by disabled veterans as defined in Title 49 United States Code, Section 47112. However, this preference shall apply only where the individuals are available and qualified to perform the work to which the employment relates.

25. APPENDICES.

1. The Offeror's or Bidder's attention is called to the "Equal Opportunity Clause" and the "Standard Federal Equal Employment Opportunity Construction Contract Specifications" set forth herein.

2. The goals and timetables for minority and female participation, expressed in percentage terms for the Contractor's aggregate workforce in each trade on all construction work in the covered area, are as follows:

APPENDIX A

The following goal for female utilization in each construction craft and trade shall apply to all Contractors holding Federal and federally-assisted construction contracts and subcontracts in excess of \$10,000. The goal is applicable to the Contractor's total on-site construction workforce, regardless of whether or not part of that workforce is performing work on a Federal, federally assisted or nonfederally related construction contract or subcontract.

AREA COVERED (STATEWIDE)

Goals for Women apply nationwide.

GOAL

	Goal (percent)
Female Utilization.....	6.9

APPENDIX B

Until further notice, the following goals for minority utilization in each construction craft and trade shall apply to all Contractors holding Federal and federally-assisted construction contracts and subcontracts in excess of \$10,000 to be performed in the respective geographical areas. The goals are applicable to the Contractor's total on-site construction workforce, regardless of whether or not part of that workforce is performing work on a Federal, federally-assisted or nonfederally related construction contract or subcontract.

<u>Economic Area</u>	<u>Goal (percent)</u>
056 Paducah, KY: Non-SMSA Counties - IL - Hardin, Massac, Pope KY - Ballard, Caldwell, Calloway, Carlisle, Crittenden, Fulton, Graves, Hickman, Livingston, Lyon, McCracken, Marshall	5.2
080 Evansville, IN: Non-SMSA Counties - IL - Edwards, Gallatin, Hamilton, Lawrence, Saline, Wabash, White	3.5

IN - Dubois, Knox, Perry, Pike, Spencer
 KY - Hancock, Hopkins, McLean, Mublenberg, Ohio, Union, Webster

081 Terre Haute, IN:	
Non-SMSA Counties -	2.5
IL - Clark, Crawford	
IN - Parke	
083 Chicago, IL:	
SMSA Counties:	19.6
1600 Chicago, IL -	
IL - Cook, DuPage, Kane, Lake, McHenry, Will	
3740 Kankakee, IL -	9.1
IL - Kankakee	
Non-SMSA Counties	18.4
IL - Bureau, DeKalb, Grundy, Iroquois, Kendall, LaSalle, Livingston, Putnam	
IN - Jasper, Laporte, Newton, Pulaski, Starke	
084 Champaign - Urbana, IL:	
SMSA Counties:	
1400 Champaign - Urbana - Rantoul, IL -	7.8
IL - Champaign	
Non-SMSA Counties -	4.8
IL - Coles, Cumberland, Douglas, Edgar, Ford, Piatt, Vermilion	
085 Springfield - Decatur, IL:	
SMSA Counties:	
2040 Decatur, IL -	7.6
IL - Macon	
7880 Springfield, IL -	4.5
IL - Mendard, Sangamon	
Non-SMSA Counties	4.0
IL - Cass, Christian, Dewitt, Logan, Morgan, Moultrie, Scott, Shelby	
086 Quincy, IL:	
Non-SMSA Counties	3.1
IL - Adams, Brown, Pike	
MO - Lewis, Marion, Pike, Ralls	
087 Peoria, IL:	
SMSA Counties:	
1040 Bloomington - Normal, IL -	2.5
IL - McLean	
6120 Peoria, IL -	4.4
IL - Peoria, Tazewell, Woodford	
Non-SMSA Counties -	3.3
IL - Fulton, Knox, McDonough, Marshall, Mason, Schuyler, Stark, Warren	
088 Rockford, IL:	
SMSA Counties:	
6880 Rockford, IL -	6.3
IL - Boone, Winnebago	
Non-SMSA Counties -	4.6
IL - Lee, Ogle, Stephenson	
098 Dubuque, IA:	
Non-SMSA Counties -	0.5

IL - JoDaviess
 IA - Atlamakee, Clayton, Delaware, Jackson, Winnesheik
 WI - Crawford, Grant, Lafayette

099 Davenport, Rock Island, Moline, IA - IL:	
SMSA Counties:	
1960 Davenport, Rock Island, Moline, IA - IL -	4.6
IL - Henry, Rock Island	
IA - Scott	
Non-SMSA Counties -	3.4
IL - Carroll, Hancock, Henderson, Mercer, Whiteside	
IA - Clinton, DesMoines, Henry, Lee, Louisa, Muscatine	
MO - Clark	
107 St. Louis, MO:	
SMSA Counties:	
7040 St. Louis, MO - IL -	14.7
IL - Clinton, Madison, Monroe, St. Clair	
MO - Franklin, Jefferson, St. Charles, St. Louis, St. Louis City	
Non-SMSA Counties -	11.4
IL - Alexander, Bond, Calhoun, Clay, Effingham, Fayette, Franklin, Greene, Jackson, Jasper, Jefferson, Jersey, Johnson, Macoupin, Marion, Montgomery, Perry, Pulaski, Randolph, Richland, Union, Washington, Wayne, Williamson	
MO - Bollinger, Butler, Cape Girardeau, Carter, Crawford, Dent, Gasconade, Iron, Lincoln, Madison, Maries, Mississippi, Montgomery, Perry, Phelps, Reynolds, Ripley, St. Francois, St. Genevieve, Scott, Stoddard, Warren, Washington, Wayne	

These goals are applicable to all the Contractor's construction work (whether or not it is Federal or federally assisted) performed in the covered area. If the Contractor performs construction work in a geographical area located outside of the covered area, it shall apply the goals established for such geographical area where the work is actually performed. With regard to this second area, the Contractor also is subject to the goals for both its federally involved and nonfederally involved construction.

The Contractor's compliance with Executive Order and the regulations in 41 CFR Part 60-4 shall be based on its implementation of the Equal Opportunity Clause, specific affirmative action obligations required by the provisions and specifications set forth in its federally assisted contracts, and its efforts to meet the goals established for the geographical area where the contract resulting from this solicitation is to be performed. The hours of minority and female employment and training must be substantially uniform throughout the length of the contract, and in each trade, and the Contractor shall make a good faith effort to employ minorities and women evenly on each of its projects. The transfer of minority or female employees or trainees from Contractor to Contractor or from project to project for the sole purpose of meeting the Contractor's goals shall be a violation of the contract, the Executive Order and the regulations in 41 CFR Part 60-4. Compliance with the goals will be measured against the total work hours performed.

3. The Contractor will provide written notification to the Director of the Office of Federal Contract Compliance Programs within 10 working days of award of any construction contract and/or subcontract in excess of \$10,000 at any tier for construction work under the contract resulting from this solicitation. This notification will list the name, address and telephone number of the subcontractor; employer identification number; estimated dollar amount of the subcontract; estimated starting and completion dates of the subcontract; and the geographical area in which the contract is to be performed.

4. As used in this Notice, and in the contract resulting from this solicitation, the "covered area" is the entire State of Illinois for the goal set forth in APPENDIX A and the county or counties in which the work is located for the goals set forth in APPENDIX B.

SECTION III

Special Provisions

For

CONSTRUCT TAXIWAY K CONNECTOR (K12)

**ILLINOIS PROJECT: MLI-4482
AIP PROJECT: 3-17-0068-XX**

At

QUAD CITY INTERNATIONAL AIRPORT
MOLINE, ILLINOIS



Final Submittal

June 26, 2015

Prepared By:

CRAWFORD, MURPHY & TILLY, INC.
CONSULTING ENGINEERS
550 N. COMMONS DRIVE, SUITE 116
AURORA, ILLINOIS 60504
<http://www.cmtengr.com>



14014-07-00

GENERAL

These Special Provisions, together with applicable Standard Specifications, Contract Requirements for Airport Improvement Project, Rules and Regulations, Payroll Requirements and Minimum Wage Rates which are hereto attached or which by reference are herein incorporated, cover the requirements of the State of Illinois, Division of Aeronautics, and the representatives of the Metropolitan Airport Authority of Rock Island County for the improvements at Quad City International Airport, Moline, Illinois.

GOVERNING SPECIFICATIONS AND RULES AND REGULATIONS

The “**Standard Specifications for Construction of Airports**”, State of Illinois, Department of Transportation, Division of Aeronautics, adopted April 1, 2012 shall govern the project except as otherwise noted in these Special Provisions. In the case of conflict with any part or parts of said specifications, the said Special Provisions shall take precedence and shall govern.

Specifications may be obtained at <http://dot.state.il.us/aero/airspecs.html>.

Where referenced within the Special Provisions, the Illinois Department of Transportation Standard Specifications for Road and Bridge Construction adopted January 1, 2012 shall apply.

INDEX TO SPECIAL PROVISIONS

<u>ITEM - DESCRIPTION</u>	<u>PAGE NUMBER</u>
SECTION IIII	
POLICY MEMORANDA – APPENDIX A INDEX	II
DIVISION I – GENERAL PROVISIONS	1
SECTION 40 – SCOPE OF WORK	1
SECTION 50 – CONTROL OF WORK	3
SECTION 60 – CONTROL OF MATERIALS	5
SECTION 70 – LEGAL RELATIONS AND RESPONSIBILITY TO PUBLIC	7
SECTION 80 – PROSECUTION AND PROGRESS	10
DIVISION II – PAVING CONSTRUCTION DETAILS	12
SECTION 100 – CONTRACTOR QUALITY CONTROL PROGRAM	12
SECTION 110 - METHOD OF ESTIMATING PERCENTAGE OF MATERIAL WITHIN SPECIFICATION LIMITS (PWL)	18
ITEM 150520 – MOBILIZATION	24
ITEM 152540 – SOIL STABILIZATION FABRIC	28
ITEM 156000 – EROSION CONTROL	30
ITEM 208515 – POROUS GRANULAR EMBANKMENT	32
ITEM 209 – CRUSHED AGGREGATE BASE COURSE	35
ITEM P-501 – PORTLAND CEMENT CONCRETE PAVEMENT	36
ITEM P-605 – JOINT SEALANTS FOR CONCRETE PAVEMENTS	70
ITEM 620000 – PAVEMENT MARKING	74

DIVISION IV – DRAINAGE	78
ITEM 701 – PIPE FOR STORM SEWER AND CULVERTS	78
ITEM 705 – PIPE UNDERDRAINS FOR AIRPORTS.....	79
ITEM 751 – MANHOLES, CATCH BASINS, INLETS AND INSPECTION HOLES.....	82
DIVISION V – TURFING	83
ITEM 901 – SEEDING	83
ITEM 904 – SODDING.....	85
ITEM 905 – TOPSOILING.....	86
ITEM 908 – MULCHING	88
DIVISION VI - LIGHTING INSTALLATION	89
ITEM 108 – INSTALLATION OF UNDERGROUND CABLE FOR AIRPORTS.....	89
ITEM 109 – INSTALLATION OF AIRPORT TRANSFORMERS AND VAULT EQUIPMENT	92
ITEM 110 – INSTALLATION OF AIRPORT UNDERGROUND ELECTRICAL DUCT	95
ITEM 125 – INSTALLATION OF AIRPORT LIGHTING SYSTEMS	97
IDOT DIVISION OF AERONAUTICS POLICY MEMORANDA	A
IDOT DESIGN STANDARDS	B
BUY AMERICAN REQUIREMENTS	C
GEOTECHNICAL ENGINEERING REPORT	D

POLICY MEMORANDA – APPENDIX A INDEX

96-1	ITEM 610, STRUCTURAL PORTLAND CEMENT CONCRETE: JOB MIX FORMULA APPROVAL & PRODUCTION TESTING
97-2	PAVEMENT MARKING PAINT ACCEPTANCE

DIVISION I – GENERAL PROVISIONS

SECTION 40 – SCOPE OF WORK

40-05 MAINTENANCE OF TRAFFIC

ADD:

The Airport will give proper notice to the nearest Flight Service Stations and the Airways Facilities Chief of the Federal Aviation Administration prior to beginning construction.

The Contractor shall consult with the Airport and the Resident Engineer in arranging his construction operations. The Airport will at all times have jurisdiction over the safety of air traffic during construction. Wherever the safety of air traffic during construction is concerned, his decisions as to methods, procedures and measures used shall be final, and any and all Contractors performing work must be governed by such decisions.

Maintenance of Airport Systems is critical to the operation of the Airport and the safety and/ or security of the traveling public. Prior to beginning work the contractor shall investigate existing systems which may be located within the work area and locate all existing utilities. The contractor may seek assistance from the JULIE, Engineer, Resident Engineer, Airport and FAA with locating utilities but the final responsibility for all utility locates lies solely with the contractor. If the contractor's investigation reveals that a utility must be relocated to allow for the performance of the work in the plans, the contractor shall immediately notify the Resident Engineer and remain clear of the utility until resolution has been determined by the Division and the Airport. Any system, including but not limited to systems associated with security, air navigation, weather, airfield lighting damaged by the contractor's operations shall be immediately repaired to the satisfaction of the owner. No delay shall be taken in the repair of the damaged facility. The contractor shall not be allowed to finish work for the day until the utility has been repaired.

The Contractor shall keep all access roads utilized by his operations clean. All access roads shall remain clear and unobstructed for use by airport vehicles. The Contractor shall maintain these areas as required or as directed by the Airport. Should the Contractor fail to respond to the notification, the Division may suspend work until such time as the unsatisfactory condition is corrected.

Access to the site will change throughout the project based on the most current work area—Any damage to existing airfield pavement due to construction traffic operating beyond the approved work areas or access roads for a particular days' work, hauling outside of the approved haul/access routes and construction traffic operating in prohibited areas shall be repaired by the Contractor at his own expense to the satisfaction of the Owner.

To maintain airport operations and to facilitate the construction of the proposed project, the arrangement of the proposed work is shown in the construction activity plans in accordance with Advisory Circular 150/5370-2F Operational Safety on Airports During Construction. References to Construction Safety and Phasing Plans (CSPP) in that document shall be interpreted to mean the work area limits, barricade locations, access points and notes shown on the construction activity plan sheet included in the as-bid contract documents. When "safety" is used or referred to in the contract documents and in the advisory circular(s) it shall be redefined by this contract as meaning "operational safety". The Construction Operational Safety and Phasing Plan (CSPP) establishes the airport and project specific requirements, supplementing the requirements in the AC, that are to be included in the contractor's bid for maintaining operational safety during construction.

The Construction Operational Safety and Phasing Plan (CSPP) contained herein has been approved by both the Airport and the FAA. The contractor shall be required to arrange his/her construction operations in substantial conformance with the CSPP shown in the plans, except as allowed by the contract documents and approved by the Division on behalf of the FAA.

Ten days prior to the preconstruction conference the Contractor shall submit a Safety Plan Compliance Document (SPCD) to the airport describing how he/she will comply with the requirements of the advisory circular plus the CSPP and supplying any details that could not be determined before contract award. The SPCD must include a certification statement by the contractor that indicates he understands the operational safety requirements of the CSPP, that the contractor has incorporated these requirements into their overall work plan and that the contractor will maintain the right of control for all means, methods and details of the work performed by the contractor and any of his subcontractors within the framework of the operational safety plan.

Ten days prior to the preconstruction conference the Contractor shall submit a preliminary plan detailing the intended progression of work around the airfield to the Airport for review and approval. This plan shall be a working plan. The Contractor shall update the Resident Engineer and the Airport at the end of each day related to their completed work for the day and their intended plan for the following day.

The Contractor shall be fully aware and continuously monitor all requirements and activities for compliance with the contract documents and Advisory Circular 150/5370-2F.

Significant Changes to the Construction Operational Safety and Phasing Plan (CSPP) may require aeronautical review by the Division through the FAA's OEAAA System. Modification of the Construction Operational Safety and Phasing Plan (CSPP) and/ or the critical points shown in the contract documents will require airspace approval from Division/ FAA and may require the contractor to submit FAA Form 7460 for Approval.

The Contractor shall not have access to any part of the active airfield (runway, taxiway or apron) for all equipment or personnel without the approval of the Airport.

The Contractor shall provide his own radio capable of transmitting and receiving ground frequency 122.95 MHz.

The Contractor shall notify the FAA Field Office 72 hours prior to working in NAVAID critical areas or in areas where FAA cables or facilities are located.

The Contractor shall not be entitled to any extra compensation due to delays or inconveniences caused by said necessary methods, procedures, and measures to protect air traffic

SECTION 50 – CONTROL OF WORK

50-04 COOPERATION OF CONTRACTOR

ADD: At the end of this section:

A materials/pre-paving meeting shall be scheduled prior to the start of various paving operations to discuss material acquisition, mixing, placing, testing, etc. The superintendent, paving foreman, batching foreman/material supplier, quality control officer, and the Resident Engineer are required to attend this meeting.

50-06 CONSTRUCTION LAYOUT STAKES

DELETE: The first paragraph.

ADD: As the first paragraph:

The Contractor will be required to furnish and place construction layout stakes for this project.

The Resident Engineer will locate and reference three (3) control points and will establish benchmarks along the line of the improvement outside construction limits. The Contractor shall locate and reference the centerline of survey, which shall also consist of locating and referencing control points such as point of curvature, points of tangent, and sufficient points on tangent to provide a line of sight. Control points set by the Resident Engineer shall be identified in the field to the Contractor, and the field notes shall be kept in the office of the Resident Engineer.

RESPONSIBILITY OF THE RESIDENT ENGINEER

DELETE: Lines A & B.

ADD:

- A. The Resident Engineer will locate and reference three (3) control points within the limits of the project.
- B. Benchmarks will be established along the project outside of construction lines.

50-13 MAINTENANCE DURING CONSTRUCTION

ADD:

The contractor shall make provisions in the work to maintain positive drainage from the work areas and to minimize the ponding of water. In areas where the contractor is required to core out the contractor shall cut temporary ditches or swales to maintain positive drainage. At locations where temporary ditches are not feasible, the contractor shall excavate storm water storage areas adjacent to but at a lower elevation than the bottom of the work and utilize mechanical pumps to promptly remove storm water from the excavations. All existing pavement areas that are to remain open to aircraft traffic shall be kept clean to the satisfaction of Airport. At the request of the Airport, the Contractor shall provide a self-propelled, vacuum or regenerative (recirculating) air pavement sweeper, a pavement blower or tractor mounted "sweeper box". At a minimum, a pavement blower shall be kept on site at all times.

Material tracked onto public streets shall be removed continuously during the work.

No material capable of being blown onto airfield pavement will be allowed to be stored uncovered anywhere within the fence line, at any time during construction.

50-16 FINAL INSPECTION

DELETE: The first sentence of the first paragraph.

ADD: As the first sentence of the first paragraph.

Upon due notice to the Resident Engineer from the Contractor of presumptive completion of the entire project, the charging of Contract Time shall be suspended and the Engineer will make an inspection.

ADD: After the first sentence of the second paragraph:

The charging of Contract Time shall resume on the day following the inspection and shall continue until the remaining work, including the applicable requirements of Section 40-08, Final Clean-up, is completed to the Engineer's satisfaction.

50-18 PLANS AND WORK DRAWINGS

ADD: After the fourth paragraph:

Submittals shall include items such as: Contractor's, manufacturer's, or fabricator's drawings; descriptive literature including (but not limited to) catalog cuts, diagrams, operating charts or curves; test reports; samples; O&M manuals (including parts list); certifications; warranties; and other such required submittals.

Prior to submission, the Contractor shall review all shop drawing submittals for accuracy, completeness, and compliance with the contract requirements. The Contractor shall stamp, sign and date each submittal indicating Contractor approval of the submittal.

When submittals require close coordination of a number of products, the Contractor shall coordinate a concurrent submittal of all such products. The Project Engineer may withhold action on a submittal requiring coordination with other submittals until all related submittals are received.

Each submittal shall be complete and in sufficient detail to allow ready determination of compliance with contract requirements. Any deviation from contract requirements shall be clearly identified on the shop drawing submittal and supporting documentation for such deviation shall be attached. The Project Engineer reserves the right to rescind inadvertent acceptance of submittals containing unidentified deviations.

REVISE: The second sentence of the seventh paragraph to read as follows:

Such review will not relieve the Contractor of the responsibility for complying with the contract document requirements or for any error that may exist in the submittal. The Contractor is responsible for the dimensions and designs of adequate connections, detail and satisfactory construction of all work.

SECTION 60 – CONTROL OF MATERIALS

60-01 SOURCE OF SUPPLY AND QUALITY REQUIREMENTS

REVISE: The first sentence of the third paragraph as follows:

“ . . shall provide, prior to delivery . . .”

ADD: At the end of this section:

C. Meets “Buy America” requirements.

The materials used on the work shall be new and conform to the requirements of the specifications. Unless otherwise specified, such materials that are manufactured or processed shall be new (as compared to used or reprocessed).

In order to expedite the inspection and testing of materials, the Contractor shall furnish complete statements to the Owner as to the origin, composition, and manufacture of all materials to be used in the work. Such statements shall be furnished promptly after execution of the contract or with the shop or working drawing submittals but, in all cases, prior to delivery of such materials.

Only FAA approved manufacturers meeting the Buy American preference requirements can provide the FAA approved equipment and materials specified in this document. The manufacturer shall certify in writing, all products are wholly produced in the US of US materials, or Request a waiver to use non-US produced products, or Certify that all equipment that is being used on the project is on the Nationwide Buy American conformance list. Waiver requests shall be obtained prior to the Notice to Proceed is issued

The waiver can be considered if “at least 60% of the cost of the components and subcomponents in the facility or equipment are produced in the United States and the final assembly of the facility or equipment has occurred in the United States.”

In any calculation of Buy American percentage, the labor for the final assembly is excluded. This is because the Buy American statute is based on the cost of materials and equipment, not labor. For a building, this means that only the costs of the materials as they are delivered to the airport site are considered when calculating US and non-US component and subcomponent costs. For equipment, the costs of the final assembly at the manufacturing site are excluded.

The Contractor must request waivers from FAA in writing, with sufficient supporting information. The Contractor is solely responsible for ensuring their waiver request is complete and accurate using project specific information provided directly by the Contractor or the Contractor’s supplier.

The FAA will conduct its review and approval based on the information provided by the grant recipient.

The information that must be provided for equipment shall include but not be limited to:

- Project Number
- Project Name
- Airport Name
- Total Project Cost
- Total Equipment or Bid Item Cost for which the waiver is being requested
- Total Equipment or Bid Item Cost excluding labor for final assembly.
- The equipment or bid item for which the waiver is being requested

- The manufacturer and country of origin of the equipment or bid item.
- The location of the final assembly of the equipment or bid item (not the airport site)
- The cost of the US components and subcomponents for the equipment or bid item for which the waiver is being requested
- The cost of the non-US components and subcomponents for the equipment or bid item for which the waiver is being requested
- The resulting percent of US and non-US components

The Contractor/ manufacturer is urged to submit waiver requests as early as possible.

60-11 CERTIFICATION OF MATERIALS

ADD:

The Contractor shall certify all materials contained in the contract. Certification and documentation shall be submitted to the Resident Engineer. It shall be the sole responsibility of the Contractor to ensure the delivery of adequate and accurate documentation prior to the delivery of materials. Materials incorporated into this project without approved certification and documentation will not be recommended for payment by the Resident Engineer.

It shall be the sole responsibility of the Contractor to provide certification that ALL materials to be used on the project meet the “Buy American” requirements.

The certification shall be submitted as part of the shop drawing submittal.

As a guide to the certification process and requirements, the Contractor shall use the Illinois Department of Transportation/Division of Aeronautics MANUAL FOR DOCUMENTATION OF AIRPORT MATERIALS (latest edition). Copies of this manual are available from the Illinois Division of Aeronautics. The MANUAL FOR DOCUMENTATION OF AIRPORT MATERIALS defines the Resident Engineer’s/Contractor’s responsibilities (Sections 300/400). The Contractor shall have the sole responsibility to provide the Resident Engineer with appropriate documentation to satisfy the contract certification requirements prior to the delivery of materials.

The cost of providing the required material documentation and certifications shall not be paid for separately, but shall be considered incidental to the associated item.

All submittals shall contain the following information:

PROJECT LOCATION: Quad City International Airport
PROJECT TITLE: Construct Taxiway K Connector (K12)
PROJECT NUMBER: Illinois Project: MLI-4482

CONTRACT ITEM: (i.e., AR156520 – Inlet Protection)
SUBMITTED BY: (Contractor/Subcontractor Name)
DATE: (Date of Submittal)

If the Division of Aeronautics requires additional documentation, they shall request it through the Resident Engineer.

SECTION 70 – LEGAL RELATIONS AND RESPONSIBILITY TO PUBLIC

70-10 BARRICADES, WARNING SIGNS & HAZARD MARKERS

ADD: At the end of the second paragraph:

Any cost for signage or traffic control shall be borne by the Contractor.

IDOT Type 1 barricades as approved by the FAA shall be provided per the details in the plan sheets. The barricades shall be lighted with steady burn omni-directional red lights supplemented with a 20" x 20" orange flag.

The barricades shall be sufficiently weighted with sandbags or other appropriate method to withstand high winds or jet blast without dislocation.

The barricades must be of low mass and easily collapsible upon contact with an aircraft.

Barricades shall be placed as shown in the plans or as directed by Airport.

The Contractor shall be responsible for supplying, maintaining and any moving of all barricades. Lights shall be maintained in proper working order. No separate payment will be made for supplying, maintaining and moving barricades but shall be considered incidental to the contract.

ADD: At the end of the eighth paragraph:

Mark and identify vehicles in accordance with AC 150/5210-5 (latest revision) *Painting, Marking and Lighting of Vehicles Used on an Airport*. When any vehicle is required to travel over any portion of the aircraft movement area and runway approach area, the vehicle shall be properly identified to operate in the area or provided with a flag on a staff so attached to the vehicle so that the flag will be readily visible. The flag should be not less than 3-feet square consisting of a checkered pattern of international orange and white squares of not less than one foot on each side and displayed in full view above the vehicle. A flag or escort vehicle is not required for vehicles which have been painted, marked and lighted for routine use on aircraft movement areas. Any vehicle operating on the movement area during the hours of darkness should be equipped with an amber flashing dome-type light, in accordance with local and/or state codes.

70-13 RESPONSIBILITY FOR DAMAGE CLAIMS

REVISE: In the second sentence of the first paragraph, change the word "inspection" to "observation".

REVISE: In the last sentence of the fourth paragraph, change the word "inspection" to "observation".

70-17 CONTRACTOR'S RESPONSIBILITY FOR UTILITY SERVICE AND FACILITIES OF OTHERS

REVISE: The second paragraph as follows:

". . . , the approximate locations and owners have been indicated on the plans."

DELETE: "Person to Contact" table after the second paragraph.

ADD: After the third paragraph:

The Contractor shall be responsible for locating Airport owned utilities.

REVISE:

The following table includes contact numbers that may provide assistance for locating cable. The personnel listed in the table are in no way responsible for damage to existing utilities.

If, in the Contractor's opinion, additional assistance is needed to locate the utility service or facility, the contractor shall enlist the assistance of a qualified technician or professional utility location firm to accurately locate underground utilities or facilities prior to excavation. Prior to commencing this detailed location work in the general vicinity of an existing utility service or facility, the Contractor shall again notify each such owner of his/her plan of operation and request the presence of a representative of the owner to observe the work. Such notification shall be given by the most expeditious means to reach the utility owner's PERSON TO CONTACT no later than two normal business days prior to the Contractor's commencement of operations in such general vicinity. The Contractor shall furnish a written summary of the notification to the Engineer.

Only after the investigation has been made should the contractor begin excavation operations. Upon beginning these operations, the contractor shall use extreme caution in the methods utilized. The contractor shall utilize exploratory trenching or small tool excavation practices when beginning operations in critical areas to verify that the utilities are clear of the area of interest or to verify the location and depth of these facilities.

QUAD CITY INTERNATIONAL AIRPORT

Utility Service of Facility	Person to Contact	Contact Phone
FAA Control & Communications Cable	Airways Facility Unit	1-309-799-7303
Airfield Lighting Cables	Airport Manager	Arrangement made through Resident Engineer
Electric Cables	J.U.L.I.E.	1-800-892-0123
Telephone Cables	J.U.L.I.E.	1-800-892-0123
Gas Lines	J.U.L.I.E.	1-800-892-0123
Water Lines	J.U.L.I.E.	1-800-892-0123

Any utility damaged by the Contractor shall be repaired by the Contractor to the satisfaction of the Owner and shall be at the cost of the Contractor. In the event that an existing utility is damaged during construction, all other work on the project shall be suspended until the utility is repaired. No additional time will be awarded to the Contractor for delays in the project due to damaged utilities. It is a high priority to the airport that all existing Airport utilities, unless otherwise noted in the plans, remain in good working condition throughout the duration of the project.

Special care shall be taken on all operations and particularly near pavement edges to avoid damage to edge lights and all underground electrical cable on the airport. The approximate location of existing underground cable is shown on drawings. Any airfield lights or cable that are broken and require replacement because of the Contractor's operations will be replaced by the Contractor at his/her own expense.

Any airfield cable repairs or replacement to any part of the electrical system made necessary by the Contractor's operations will be made by him/her in the manner specified in Sections 108 and 125 at no cost to the Airport. Cost of replacement to be borne by the Contractor shall include any expense incurred in locating as well as repairing or replacing damaged parts of the system by the owning agency.

70-26 CONTRACTOR'S RESPONSIBILITY FOR SAFETY DURING CONSTRUCTION

As a minimum, the Contractor shall be responsible for safety during construction as follows:

- (1) Review the requirements in AC 150/5370-2 (current edition) and comply with items listed as contractor's responsibility.
- (2) Implement a CSPP and SPCD as required in AC 150/5370-2 (current edition) and ensure that construction personnel are familiar with operational safety procedures and regulations on the Airport.
- (3) Provide a 24 hour point of contact that will coordinate an immediate response to correct any construction-related activity that may adversely affect the operational safety of the Airport.
- (4) Provide a safety officer/construction inspector(s) trained in airport safety to maintain the CSPP and SPCD and to monitor all construction activities.
- (5) Restrict movement of construction vehicles to construction areas as flagging and barricading, erecting temporary fencing, or providing escorts, as appropriate.
- (6) Ensure that no construction employees, employees of subcontractors or suppliers, or other persons enter any part of the aircraft operations area from construction site unless authorized.

SECTION 80 – PROSECUTION AND PROGRESS

80-05 LIMITATION OF OPERATIONS

A minimum distance of 160' shall be maintained between construction operations and the centerline of all active taxiways and 250' from centerline of active Runway 5/23 and 13/31 and 300' from the centerline of active Runway 9/27. If work occurs within these limits, the pavement shall be closed prior to the work commencing.

It is intended to plan, conduct, and complete the work in these critical traffic areas in such a manner that the length and amount of interruption to aircraft traffic at the Airport is minimized.

The Contractor shall comply with Federal Aviation Regulations and with all rules and regulations of the Airport, including, but not limited to, control and access to the airfield by Contractor's, employees and agents. In the event the Authority is assessed a fine by the Federal Aviation Administration for breach of security resulting from actions of Contractor's employees and agents, the Contractor shall fully reimburse the Authority for the amount of such fine in the form of additional rents.

80-08 DETERMINATION AND EXTENSION OF CONTRACT TIME

ADD: After the fourth paragraph:

The Engineer will make charges against Contract Time after the presumptive completion of the entire project as provided for in Section 50-16, Final Inspection.

80-13 CONTRACTOR'S ACCESS TO AIRFIELD

ADD: After the third paragraph:

The location of parking by the Contractor's employees shall be as shown on the plans or as agreed to by the Airport.

Use of personal vehicles beyond the staging area will not be allowed.

When not in use, the Contractor's vehicles and equipment shall park in the location shown on the plans or in an area outside the Runway Safety Areas (RSAs) and Taxiway Object Free Areas (TOFAs). The Contractor's vehicles and equipment shall not be parked on a closed taxiway or runway. Parking equipment shall not obstruct the clear line of sight by ATCT to any aprons, taxiways, or runways under air traffic control nor obstruct any runway visual aids, signs or navigational aids or penetrate Part 77 surfaces.

80-14 SECURITY DURING CONSTRUCTION

As a minimum, the Contractor shall be responsible for security during construction as follows:

- (1) Visibly delineate his construction zone by placing a line of barricades or flagging around the entire work zone during each work area of the contract.
- (2) Close pavements associated with work scheduled for that day.
- (3) Keep construction personnel inside the work area delineated by barricades
- (4) Ensure that construction personnel are familiar with security procedures and regulations on the Airport.

- (5) Restrict movement of construction vehicles to construction areas as flagging and barricading, erecting temporary fencing, or providing escorts, as appropriate or as shown in plans.
- (6) The Contractor shall be required to maintain security on the Airport as specified or as directed by the Airport.
- (7) The Contractor shall provide a complete list of personnel that will be employed while on site and update the list as needed. The contractor shall limit access to the AOA. The Contractor shall be responsible for monitoring the access gate during work hours. If the Contractor chooses to leave the gate open, then he shall monitor the gate to prevent unauthorized entries.

DIVISION II – PAVING CONSTRUCTION DETAILS

ADD: Section 100 – Contractor Quality Control Program

NOTE: This specification is from Federal Aviation Administration (FAA) Advisory Circular AC 150/5370-10G – Standards for Specifying Construction of Airports. As a result, it has not been used in prior projects at the Airport. The Contractor should make themselves aware of the additional requirements resulting from the use of this specification.

SECTION 100 – CONTRACTOR QUALITY CONTROL PROGRAM

100-01 GENERAL

When the specification requires a Contractor Quality Control Program, the Contractor shall establish, provide, and maintain an effective Quality Control Program that details the methods and procedures that will be taken to assure that all materials and completed construction required by this contract conform to contract plans, technical specifications and other requirements, whether manufactured by the Contractor, or procured from subcontractors or vendors. Although guidelines are established and certain minimum requirements are specified here and elsewhere in the contract technical specifications, the Contractor shall assume full responsibility for accomplishing the stated purpose.

The intent of this section is to enable the Contractor to establish a necessary level of control that will:

- a. Adequately provide for the production of acceptable quality materials.
- b. Provide sufficient information to assure both the Contractor and the Engineer that the specification requirements can be met.
- c. Allow the Contractor as much latitude as possible to develop his or her own standard of control.

The Contractor shall be prepared to discuss and present, at the preconstruction conference, their understanding of the quality control requirements. The Contractor shall not begin any construction or production of materials to be incorporated into the completed work until the Quality Control Program has been reviewed and accepted by the Engineer. No partial payment will be made for materials subject to specific quality control requirements until the Quality Control Program has been reviewed.

The quality control requirements contained in this section and elsewhere in the contract technical specifications are in addition to and separate from the acceptance testing requirements. Acceptance testing requirements are the responsibility of the Engineer.

Paving projects over \$250,000 shall have a Quality Control (QC)/Quality Assurance (QA) workshop with the Engineer, Contractor, subcontractors, testing laboratories, and Owner's representative and the FAA prior to or at start of construction. The workshop shall address QC and QA requirements of the project specifications. The Contractor shall coordinate with the Airport and the Engineer on time and location of the QC/QA workshop.

100-02 DESCRIPTION OF PROGRAM

a. General description. The Contractor shall establish a Quality Control Program to perform quality control inspection and testing of all items of work required by the technical specifications, including those performed by subcontractors. This Quality Control Program shall ensure conformance to applicable specifications and plans with respect to materials, workmanship, construction, finish, and functional performance. The Quality Control Program shall be effective for control of all construction work performed

under this Contract and shall specifically include surveillance and tests required by the technical specifications, in addition to other requirements of this section and any other activities deemed necessary by the Contractor to establish an effective level of quality control.

b. Quality Control Program. The Contractor shall describe the Quality Control Program in a written document that shall be reviewed and approved by the Engineer prior to the start of any production, construction, or off-site fabrication. The written Quality Control Program shall be submitted to the Engineer for review and approval at least seven (7) calendar days before the Preconstruction Meeting. The Contractor's Quality Control Plan and Quality Control testing laboratory must be approved in writing by the Engineer prior to the Notice to Proceed (NTP).

The Quality Control Program shall be organized to address, as a minimum, the following items:

- a. Quality control organization
- b. Project progress schedule
- c. Submittals schedule
- d. Inspection requirements
- e. Quality control testing plan
- f. Documentation of quality control activities
- g. Requirements for corrective action when quality control and/or acceptance criteria are not met

The Contractor is encouraged to add any additional elements to the Quality Control Program that is deemed necessary to adequately control all production and/or construction processes required by this contract.

100-03 QUALITY CONTROL ORGANIZATION

The Contractor Quality Control Program shall be implemented by the establishment of a separate quality control organization. An organizational chart shall be developed to show all quality control personnel and how these personnel integrate with other management/production and construction functions and personnel.

The organizational chart shall identify all quality control staff by name and function, and shall indicate the total staff required to implement all elements of the Quality Control Program, including inspection and testing for each item of work. If necessary, different technicians can be used for specific inspection and testing functions for different items of work. If an outside organization or independent testing laboratory is used for implementation of all or part of the Quality Control Program, the personnel assigned shall be subject to the qualification requirements of paragraph 100-03a and 100-03b. The organizational chart shall indicate which personnel are Contractor employees and which are provided by an outside organization.

The quality control organization shall, as a minimum, consist of the following personnel:

- a. **Program Administrator.** The Program Administrator shall be a full-time employee of the Contractor, or a consultant engaged by the Contractor. The Program Administrator shall have a minimum of five (5) years of experience in airport and/or highway construction and shall have had prior quality control experience on a project of comparable size and scope as the contract.

Additional qualifications for the Program Administrator shall include at least one of the following requirements:

- 1) Professional Engineer with one (1) year of airport paving experience.
- 2) Engineer-in-training with two (2) years of airport paving experience.
- 3) An individual with three (3) years of highway and/or airport paving experience, with a Bachelor of Science Degree in Civil Engineering, Civil Engineering Technology or Construction.
- 4) Construction materials technician certified at Level III by the National Institute for Certification in Engineering Technologies (NICET).

- 5) Highway materials technician certified at Level III by NICET.
- 6) Highway construction technician certified at Level III by NICET.
- 7) A NICET certified engineering technician in Civil Engineering Technology with five (5) years of highway and/or airport paving experience.

The Program Administrator shall have full authority to institute any and all actions necessary for the successful implementation of the Quality Control Program to ensure compliance with the contract plans and technical specifications. The Program Administrator shall report directly to a responsible officer of the construction firm. The Program Administrator may supervise the Quality Control Program on more than one project provided that person can be at the job site within two (2) hours after being notified of a problem.

- b. **Quality control technicians.** A sufficient number of quality control technicians necessary to adequately implement the Quality Control Program shall be provided. These personnel shall be either Engineers, engineering technicians, or experienced craftsman with qualifications in the appropriate field equivalent to NICET Level II or higher construction materials technician or highway construction technician and shall have a minimum of two (2) years of experience in their area of expertise.

The quality control technicians shall report directly to the Program Administrator and shall perform the following functions:

- (1) Inspection of all materials, construction, plant, and equipment for conformance to the technical specifications, and as required by subsection 100-06.
- (2) Performance of all quality control tests as required by the technical specifications and subsection 100-07.
- (3) Performance of density tests for the Engineer when required by the technical specifications.

Certification at an equivalent level, by a state or nationally recognized organization will be acceptable in lieu of NICET certification.

- c. **Staffing levels.** The Contractor shall provide sufficient qualified quality control personnel to monitor each work activity at all times. Where material is being produced in a plant for incorporation into the work, separate plant and field technicians shall be provided at each plant and field placement location. The scheduling and coordinating of all inspection and testing must match the type and pace of work activity. The Quality Control Program shall state where different technicians will be required for different work elements.

100-04 PROJECT PROGRESS SCHEDULE

The Contractor shall submit a coordinated construction schedule for all work activities. The schedule shall be prepared as a network diagram in Critical Path Method (CPM), Program Evaluation and Review Technique (PERT), or other format, or as otherwise specified in the contract. As a minimum, it shall provide information on the sequence of work activities, milestone dates, and activity duration.

The Contractor shall maintain the work schedule and provide an update and analysis of the progress schedule on a twice monthly basis, or as otherwise specified in the contract. Submission of the work schedule shall not relieve the Contractor of overall responsibility for scheduling, sequencing, and coordinating all work to comply with the requirements of the contract.

100-05 Submittals schedule. The Contractor shall submit a detailed listing of all submittals (for example, mix designs, material certifications) and shop drawings required by the technical specifications. The listing can be developed in a spreadsheet format and shall include:

- a. Specification item number
- b. Item description
- c. Description of submittal
- d. Specification paragraph requiring submittal
- e. Scheduled date of submittal

100-06 INSPECTION REQUIREMENTS

Quality control inspection functions shall be organized to provide inspections for all definable features of work, as detailed below. All inspections shall be documented by the Contractor as specified by subsection 100-07.

Inspections shall be performed daily to ensure continuing compliance with contract requirements until completion of the particular feature of work. These shall include the following minimum requirements:

- a. During plant operation for material production, quality control test results and periodic inspections shall be used to ensure the quality of aggregates and other mix components, and to adjust and control mix proportioning to meet the approved mix design and other requirements of the technical specifications. All equipment used in proportioning and mixing shall be inspected to ensure its proper operating condition. The Quality Control Program shall detail how these and other quality control functions will be accomplished and used.
- b. During field operations, quality control test results and periodic inspections shall be used to ensure the quality of all materials and workmanship. All equipment used in placing, finishing, and compacting shall be inspected to ensure its proper operating condition and to ensure that all such operations are in conformance to the technical specifications and are within the plan dimensions, lines, grades, and tolerances specified. The Program shall document how these and other quality control functions will be accomplished and used.

100-07 QUALITY CONTROL TESTING PLAN

As a part of the overall Quality Control Program, the Contractor shall implement a quality control testing plan, as required by the technical specifications. The testing plan shall include the minimum tests and test frequencies required by each technical specification Item, as well as any additional quality control tests that the Contractor deems necessary to adequately control production and/or construction processes.

The testing plan can be developed in a spreadsheet fashion and shall, as a minimum, include the following:

- a. Specification item number (for example, P-401)
- b. Item description (for example, Plant Mix Bituminous Pavements)
- c. Test type (for example, gradation, grade, asphalt content)
- d. Test standard (for example, ASTM or American Association of State Highway and Transportation Officials (AASHTO) test number, as applicable)
- e. Test frequency (for example, as required by technical specifications or minimum frequency when requirements are not stated)
- f. Responsibility (for example, plant technician)
- g. Control requirements (for example, target, permissible deviations)

The testing plan shall contain a statistically-based procedure of random sampling for acquiring test samples in accordance with ASTM D3665. The Engineer shall be provided the opportunity to witness quality control sampling and testing.

All quality control test results shall be documented by the Contractor as required by subsection 100-08.

100-08 DOCUMENTATION

The Contractor shall maintain current quality control records of all inspections and tests performed. These records shall include factual evidence that the required inspections or tests have been performed, including type and number of inspections or tests involved; results of inspections or tests; nature of defects, deviations, causes for rejection, etc.; proposed remedial action; and corrective actions taken.

These records must cover both conforming and defective or deficient features, and must include a statement that all supplies and materials incorporated in the work are in full compliance with the terms of the contract. Legible copies of these records shall be furnished to the Engineer daily. The records shall cover all work placed subsequent to the previously furnished records and shall be verified and signed by the Contractor's Program Administrator.

Specific Contractor quality control records required for the contract shall include, but are not necessarily limited to, the following records:

- a. **Daily inspection reports.** Each Contractor quality control technician shall maintain a daily log of all inspections performed for both Contractor and subcontractor operations. These technician's daily reports shall provide factual evidence that continuous quality control inspections have been performed and shall, as a minimum, include the following:
 - (1) Technical specification item number and description
 - (2) Compliance with approved submittals
 - (3) Proper storage of materials and equipment
 - (4) Proper operation of all equipment
 - (5) Adherence to plans and technical specifications
 - (6) Review of quality control tests
 - (7) Safety inspection.

The daily inspection reports shall identify inspections conducted, results of inspections, location and nature of defects found, causes for rejection, and remedial or corrective actions taken or proposed.

The daily inspection reports shall be signed by the responsible quality control technician and the Program Administrator. The Engineer shall be provided at least one copy of each daily inspection report on the work day following the day of record.

- b. **Daily test reports.** The Contractor shall be responsible for establishing a system that will record all quality control test results. Daily test reports shall document the following information:
 - (1) Technical specification item number and description
 - (2) Test designation
 - (3) Location
 - (4) Date of test
 - (5) Control requirements
 - (6) Test results
 - (7) Causes for rejection
 - (8) Recommended remedial actions
 - (9) Retests

Test results from each day's work period shall be submitted to the Engineer prior to the start of the next day's work period. When required by the technical specifications, the Contractor shall maintain statistical quality control charts. The daily test reports shall be signed by the responsible quality control technician and the Program Administrator.

100-09 CORRECTIVE ACTION REQUIREMENTS

The Quality Control Program shall indicate the appropriate action to be taken when a process is deemed, or believed, to be out of control (out of tolerance) and detail what action will be taken to bring the process into control. The requirements for corrective action shall include both general requirements for operation of the Quality Control Program as a whole, and for individual items of work contained in the technical specifications.

The Quality Control Program shall detail how the results of quality control inspections and tests will be used for determining the need for corrective action and shall contain clear sets of rules to gauge when a process is out of control and the type of correction to be taken to regain process control.

When applicable or required by the technical specifications, the Contractor shall establish and use statistical quality control charts for individual quality control tests. The requirements for corrective action shall be linked to the control charts.

100-10 SURVEILLANCE BY THE ENGINEER

All items of material and equipment shall be subject to surveillance by the Engineer at the point of production, manufacture or shipment to determine if the Contractor, producer, manufacturer or shipper maintains an adequate quality control system in conformance with the requirements detailed here and the applicable technical specifications and plans. In addition, all items of materials, equipment and work in place shall be subject to surveillance by the Engineer at the site for the same purpose.

Surveillance by the Engineer does not relieve the Contractor of performing quality control inspections of either on-site or off-site Contractor's or subcontractor's work.

100-11 NONCOMPLIANCE

- a. The Engineer will notify the Contractor of any noncompliance with any of the foregoing requirements. The Contractor shall, after receipt of such notice, immediately take corrective action. Any notice, when delivered by the Engineer or his or her authorized representative to the Contractor or his or her authorized representative at the site of the work, shall be considered sufficient notice.
- b. In cases where quality control activities do not comply with either the Contractor Quality Control Program or the contract provisions, or where the Contractor fails to properly operate and maintain an effective Quality Control Program, as determined by the Engineer, the Engineer may:
 1. Order the Contractor to replace ineffective or unqualified quality control personnel or subcontractors.
 2. Order the Contractor to stop operations until appropriate corrective actions are taken.

END OF SECTION 100

ADD: Section 110 – Method of Estimating Percentage of Material Within Specification Limits (PWL)

NOTE: This specification is from Federal Aviation Administration (FAA) Advisory Circular AC 150/5370-10G – Standards for Specifying Construction of Airports. As a result, it has not been used in prior projects at the Airport. The Contractor should make themselves aware of the additional requirements resulting from the use of this specification.

SECTION 110 - METHOD OF ESTIMATING PERCENTAGE OF MATERIAL WITHIN SPECIFICATION LIMITS (PWL)

110-01 GENERAL

When the specifications provide for acceptance of material based on the method of estimating percentage of material within specification limits (PWL), the PWL will be determined in accordance with this section. All test results for a lot will be analyzed statistically to determine the total estimated percent of the lot that is within specification limits. The PWL is computed using the sample average (\bar{X}) and sample standard deviation (S_n) of the specified number (n) of sublots for the lot and the specification tolerance limits, L for lower and U for upper, for the particular acceptance parameter. From these values, the respective Quality index, Q_L for Lower Quality Index and/or Q_U for Upper Quality Index, is computed and the PWL for the lot for the specified n is determined from Table 1. All specification limits specified in the technical sections shall be absolute values. Test results used in the calculations shall be to the significant figure given in the test procedure.

There is some degree of uncertainty (risk) in the measurement for acceptance because only a small fraction of production material (the population) is sampled and tested. This uncertainty exists because all portions of the production material have the same probability to be randomly sampled. The Contractor's risk is the probability that material produced at the acceptable quality level is rejected or subjected to a pay adjustment. The Owner's risk is the probability that material produced at the rejectable quality level is accepted.

It is the intent of this section to inform the Contractor that, in order to consistently offset the Contractor's risk for material evaluated, production quality (using population average and population standard deviation) must be maintained at the acceptable quality specified or higher. In all cases, it is the responsibility of the Contractor to produce at quality levels that will meet the specified acceptance criteria when sampled and tested at the frequencies specified.

110-02 METHOD FOR COMPUTING PWL

The computational sequence for computing PWL is as follows:

- a. Divide the lot into n sublots in accordance with the acceptance requirements of the specification.
- b. Locate the random sampling position within the subplot in accordance with the requirements of the specification.
- c. Make a measurement at each location, or take a test portion and make the measurement on the test portion in accordance with the testing requirements of the specification.
- d. Find the sample average (\bar{X}) for all subplot values within the lot by using the following formula:

$$\bar{X} = (x_1 + x_2 + x_3 + \dots + x_n) / n$$

Where: \bar{X} = Sample average of all subplot values within a lot
 x_1, x_2 = Individual subplot values
 n = Number of sublots

- e. Find the sample standard deviation (S_n) by use of the following formula:

$$S_n = [(d_1^2 + d_2^2 + d_3^2 + \dots + d_n^2)/(n-1)]^{1/2}$$

Where: S_n = Sample standard deviation of the number of subplot values in the set
 d_1, d_2 = Deviations of the individual subplot values x_1, x_2, \dots from the average value X
that is: $d_1 = (x_1 - X), d_2 = (x_2 - X) \dots d_n = (x_n - X)$
 n = Number of sublots

- f. For single sided specification limits (that is, L only), compute the Lower Quality Index Q_L by use of the following formula:

$$Q_L = (X - L) / S_n$$

Where: L = specification lower tolerance limit

Estimate the percentage of material within limits (PWL) by entering Table 1 with Q_L , using the column appropriate to the total number (n) of measurements. If the value of Q_L falls between values shown on the table, use the next higher value of PWL.

- g. For double-sided specification limits (that is, L and U), compute the Quality Indexes Q_L and Q_U by use of the following formulas:

$$Q_L = (X - L) / S_n$$

and

$$Q_U = (U - X) / S_n$$

Where: L and U = specification lower and upper tolerance limits

Estimate the percentage of material between the lower (L) and upper (U) tolerance limits (PWL) by entering Table 1 separately with Q_L and Q_U , using the column appropriate to the total number (n) of measurements, and determining the percent of material above P_L and percent of material below P_U for each tolerance limit. If the values of Q_L fall between values shown on the table, use the next higher value of P_L or P_U . Determine the PWL by use of the following formula:

$$PWL = (P_U + P_L) - 100$$

Where: P_L = percent within lower specification limit
 P_U = percent within upper specification limit

EXAMPLE OF PWL CALCULATION

Project: Example Project

Test Item: Item P-401, Lot A.

A. PWL Determination for Mat Density.

1. Density of four random cores taken from Lot A.

A-1 = 96.60

A-2 = 97.55

A-3 = 99.30

A-4 = 98.35

n = 4

2. Calculate average density for the lot.

$$X = (x_1 + x_2 + x_3 + \dots + x_n) / n$$
$$X = (96.60 + 97.55 + 99.30 + 98.35) / 4$$
$$X = 97.95\% \text{ density}$$

3. Calculate the standard deviation for the lot.

$$S_n = [((96.60 - 97.95)^2 + (97.55 - 97.95)^2 + (99.30 - 97.95)^2 + (98.35 - 97.95)^2) / (4 - 1)]^{1/2}$$
$$S_n = [(1.82 + 0.16 + 1.82 + 0.16) / 3]^{1/2}$$
$$S_n = 1.15$$

4. Calculate the Lower Quality Index Q_L for the lot. ($L=96.3$)

$$Q_L = (X - L) / S_n$$
$$Q_L = (97.95 - 96.30) / 1.15$$
$$Q_L = 1.4348$$

5. Determine PWL by entering Table 1 with $Q_L = 1.44$ and $n = 4$.

$$PWL = 98$$

B. PWL Determination for Air Voids.

1. Air Voids of four random samples taken from Lot A.

$$A-1 = 5.00$$
$$A-2 = 3.74$$
$$A-3 = 2.30$$
$$A-4 = 3.25$$

2. Calculate the average air voids for the lot.

$$X = (x_1 + x_2 + x_3 + \dots + x_n) / n$$
$$X = (5.00 + 3.74 + 2.30 + 3.25) / 4$$
$$X = 3.57\%$$

3. Calculate the standard deviation S_n for the lot.

$$S_n = [((3.57 - 5.00)^2 + (3.57 - 3.74)^2 + (3.57 - 2.30)^2 + (3.57 - 3.25)^2) / (4 - 1)]^{1/2}$$
$$S_n = [(2.04 + 0.03 + 1.62 + 0.10) / 3]^{1/2}$$
$$S_n = 1.12$$

4. Calculate the Lower Quality Index Q_L for the lot. ($L = 2.0$)

$$Q_L = (X - L) / S_n$$
$$Q_L = (3.57 - 2.00) / 1.12$$
$$Q_L = 1.3992$$

5. Determine P_L by entering Table 1 with $Q_L = 1.41$ and $n = 4$.

$$P_L = 97$$

6. Calculate the Upper Quality Index Q_U for the lot. ($U = 5.0$)

$$Q_U = (U - X) / S_n$$
$$Q_U = (5.00 - 3.57) / 1.12$$
$$Q_U = 1.2702$$

7. Determine P_U by entering Table 1 with $Q_U = 1.29$ and $n = 4$.

$$P_U = 93$$

8. Calculate Air Voids PWL

$$PWL = (P_L + P_U) - 100$$
$$PWL = (97 + 93) - 100 = 90$$

EXAMPLE OF OUTLIER CALCULATION (REFERENCE ASTM E178)

Project: Example Project

Test Item: Item P-401, Lot A.

A. Outlier Determination for Mat Density.

1. Density of four random cores taken from Lot A arranged in descending order.
 - A-3 = 99.30
 - A-4 = 98.35
 - A-2 = 97.55
 - A-1 = 96.60
2. Use $n=4$ and upper 5% significance level of to find the critical value for test criterion = 1.463.
3. Use average density, standard deviation, and test criterion value to evaluate density measurements.
 - a. For measurements greater than the average:
 - If $(\text{measurement} - \text{average})/(\text{standard deviation})$ is less than test criterion, then the measurement is not considered an outlier
 - For A-3, check if $(99.30 - 97.95) / 1.15$ is greater than 1.463.
 - Since 1.174 is less than 1.463, the value is not an outlier.
 - b. For measurements less than the average:
 - If $(\text{average} - \text{measurement})/(\text{standard deviation})$ is less than test criterion, then the measurement is not considered an outlier.
 - For A-1, check if $(97.95 - 96.60) / 1.15$ is greater than 1.463.
 - Since 1.435 is less than 1.463, the value is not an outlier.

Note: In this example, a measurement would be considered an outlier if the density were:

Greater than $(97.95 + 1.463 \times 1.15) = 99.63\%$

OR

less than $(97.95 - 1.463 \times 1.15) = 96.27\%$.

Table 1. Table for Estimating Percent of Lot Within Limits (PWL)

Percent Within Limits (P _L and P _U)	Positive Values of Q (Q _L and Q _U)							
	n=3	n=4	n=5	n=6	n=7	n=8	n=9	n=10
99	1.1541	1.4700	1.6714	1.8008	1.8888	1.9520	1.9994	2.0362
98	1.1524	1.4400	1.6016	1.6982	1.7612	1.8053	1.8379	1.8630
97	1.1496	1.4100	1.5427	1.6181	1.6661	1.6993	1.7235	1.7420
96	1.1456	1.3800	1.4897	1.5497	1.5871	1.6127	1.6313	1.6454
95	1.1405	1.3500	1.4407	1.4887	1.5181	1.5381	1.5525	1.5635
94	1.1342	1.3200	1.3946	1.4329	1.4561	1.4717	1.4829	1.4914
93	1.1269	1.2900	1.3508	1.3810	1.3991	1.4112	1.4199	1.4265
92	1.1184	1.2600	1.3088	1.3323	1.3461	1.3554	1.3620	1.3670
91	1.1089	1.2300	1.2683	1.2860	1.2964	1.3032	1.3081	1.3118
90	1.0982	1.2000	1.2290	1.2419	1.2492	1.2541	1.2576	1.2602
89	1.0864	1.1700	1.1909	1.1995	1.2043	1.2075	1.2098	1.2115
88	1.0736	1.1400	1.1537	1.1587	1.1613	1.1630	1.1643	1.1653
87	1.0597	1.1100	1.1173	1.1192	1.1199	1.1204	1.1208	1.1212
86	1.0448	1.0800	1.0817	1.0808	1.0800	1.0794	1.0791	1.0789
85	1.0288	1.0500	1.0467	1.0435	1.0413	1.0399	1.0389	1.0382
84	1.0119	1.0200	1.0124	1.0071	1.0037	1.0015	1.0000	0.9990
83	0.9939	0.9900	0.9785	0.9715	0.9671	0.9643	0.9624	0.9610
82	0.9749	0.9600	0.9452	0.9367	0.9315	0.9281	0.9258	0.9241
81	0.9550	0.9300	0.9123	0.9025	0.8966	0.8928	0.8901	0.8882
80	0.9342	0.9000	0.8799	0.8690	0.8625	0.8583	0.8554	0.8533
79	0.9124	0.8700	0.8478	0.8360	0.8291	0.8245	0.8214	0.8192
78	0.8897	0.8400	0.8160	0.8036	0.7962	0.7915	0.7882	0.7858
77	0.8662	0.8100	0.7846	0.7716	0.7640	0.7590	0.7556	0.7531
76	0.8417	0.7800	0.7535	0.7401	0.7322	0.7271	0.7236	0.7211
75	0.8165	0.7500	0.7226	0.7089	0.7009	0.6958	0.6922	0.6896
74	0.7904	0.7200	0.6921	0.6781	0.6701	0.6649	0.6613	0.6587
73	0.7636	0.6900	0.6617	0.6477	0.6396	0.6344	0.6308	0.6282
72	0.7360	0.6600	0.6316	0.6176	0.6095	0.6044	0.6008	0.5982
71	0.7077	0.6300	0.6016	0.5878	0.5798	0.5747	0.5712	0.5686
70	0.6787	0.6000	0.5719	0.5582	0.5504	0.5454	0.5419	0.5394
69	0.6490	0.5700	0.5423	0.5290	0.5213	0.5164	0.5130	0.5105
68	0.6187	0.5400	0.5129	0.4999	0.4924	0.4877	0.4844	0.4820
67	0.5878	0.5100	0.4836	0.4710	0.4638	0.4592	0.4560	0.4537
66	0.5563	0.4800	0.4545	0.4424	0.4355	0.4310	0.4280	0.4257
65	0.5242	0.4500	0.4255	0.4139	0.4073	0.4030	0.4001	0.3980
64	0.4916	0.4200	0.3967	0.3856	0.3793	0.3753	0.3725	0.3705
63	0.4586	0.3900	0.3679	0.3575	0.3515	0.3477	0.3451	0.3432
62	0.4251	0.3600	0.3392	0.3295	0.3239	0.3203	0.3179	0.3161
61	0.3911	0.3300	0.3107	0.3016	0.2964	0.2931	0.2908	0.2892
60	0.3568	0.3000	0.2822	0.2738	0.2691	0.2660	0.2639	0.2624
59	0.3222	0.2700	0.2537	0.2461	0.2418	0.2391	0.2372	0.2358
58	0.2872	0.2400	0.2254	0.2186	0.2147	0.2122	0.2105	0.2093
57	0.2519	0.2100	0.1971	0.1911	0.1877	0.1855	0.1840	0.1829
56	0.2164	0.1800	0.1688	0.1636	0.1607	0.1588	0.1575	0.1566
55	0.1806	0.1500	0.1406	0.1363	0.1338	0.1322	0.1312	0.1304
54	0.1447	0.1200	0.1125	0.1090	0.1070	0.1057	0.1049	0.1042
53	0.1087	0.0900	0.0843	0.0817	0.0802	0.0793	0.0786	0.0781
52	0.0725	0.0600	0.0562	0.0544	0.0534	0.0528	0.0524	0.0521
51	0.0363	0.0300	0.0281	0.0272	0.0267	0.0264	0.0262	0.0260
50	0.0000	0.0000	0.0000	0.0000	0.0000	0.0000	0.0000	0.0000

Percent Within Limits (P _L and P _U)	Negative Values of Q (Q _L and Q _U)							
	n=3	n=4	n=5	n=6	n=7	n=8	n=9	n=10
49	-0.0363	-0.0300	-0.0281	-0.0272	-0.0267	-0.0264	-0.0262	-0.0260
48	-0.0725	-0.0600	-0.0562	-0.0544	-0.0534	-0.0528	-0.0524	-0.0521
47	-0.1087	-0.0900	-0.0843	-0.0817	-0.0802	-0.0793	-0.0786	-0.0781
46	-0.1447	-0.1200	-0.1125	-0.1090	-0.1070	-0.1057	-0.1049	-0.1042
45	-0.1806	-0.1500	-0.1406	-0.1363	-0.1338	-0.1322	-0.1312	-0.1304
44	-0.2164	-0.1800	-0.1688	-0.1636	-0.1607	-0.1588	-0.1575	-0.1566
43	-0.2519	-0.2100	-0.1971	-0.1911	-0.1877	-0.1855	-0.1840	-0.1829
42	-0.2872	-0.2400	-0.2254	-0.2186	-0.2147	-0.2122	-0.2105	-0.2093
41	-0.3222	-0.2700	-0.2537	-0.2461	-0.2418	-0.2391	-0.2372	-0.2358
40	-0.3568	-0.3000	-0.2822	-0.2738	-0.2691	-0.2660	-0.2639	-0.2624
39	-0.3911	-0.3300	-0.3107	-0.3016	-0.2964	-0.2931	-0.2908	-0.2892
38	-0.4251	-0.3600	-0.3392	-0.3295	-0.3239	-0.3203	-0.3179	-0.3161
37	-0.4586	-0.3900	-0.3679	-0.3575	-0.3515	-0.3477	-0.3451	-0.3432
36	-0.4916	-0.4200	-0.3967	-0.3856	-0.3793	-0.3753	-0.3725	-0.3705
35	-0.5242	-0.4500	-0.4255	-0.4139	-0.4073	-0.4030	-0.4001	-0.3980
34	-0.5563	-0.4800	-0.4545	-0.4424	-0.4355	-0.4310	-0.4280	-0.4257
33	-0.5878	-0.5100	-0.4836	-0.4710	-0.4638	-0.4592	-0.4560	-0.4537
32	-0.6187	-0.5400	-0.5129	-0.4999	-0.4924	-0.4877	-0.4844	-0.4820
31	-0.6490	-0.5700	-0.5423	-0.5290	-0.5213	-0.5164	-0.5130	-0.5105
30	-0.6787	-0.6000	-0.5719	-0.5582	-0.5504	-0.5454	-0.5419	-0.5394
29	-0.7077	-0.6300	-0.6016	-0.5878	-0.5798	-0.5747	-0.5712	-0.5686
28	-0.7360	-0.6600	-0.6316	-0.6176	-0.6095	-0.6044	-0.6008	-0.5982
27	-0.7636	-0.6900	-0.6617	-0.6477	-0.6396	-0.6344	-0.6308	-0.6282
26	-0.7904	-0.7200	-0.6921	-0.6781	-0.6701	-0.6649	-0.6613	-0.6587
25	-0.8165	-0.7500	-0.7226	-0.7089	-0.7009	-0.6958	-0.6922	-0.6896
24	-0.8417	-0.7800	-0.7535	-0.7401	-0.7322	-0.7271	-0.7236	-0.7211
23	-0.8662	-0.8100	-0.7846	-0.7716	-0.7640	-0.7590	-0.7556	-0.7531
22	-0.8897	-0.8400	-0.8160	-0.8036	-0.7962	-0.7915	-0.7882	-0.7858
21	-0.9124	-0.8700	-0.8478	-0.8360	-0.8291	-0.8245	-0.8214	-0.8192
20	-0.9342	-0.9000	-0.8799	-0.8690	-0.8625	-0.8583	-0.8554	-0.8533
19	-0.9550	-0.9300	-0.9123	-0.9025	-0.8966	-0.8928	-0.8901	-0.8882
18	-0.9749	-0.9600	-0.9452	-0.9367	-0.9315	-0.9281	-0.9258	-0.9241
17	-0.9939	-0.9900	-0.9785	-0.9715	-0.9671	-0.9643	-0.9624	-0.9610
16	-1.0119	-1.0200	-1.0124	-1.0071	-1.0037	-1.0015	-1.0000	-0.9990
15	-1.0288	-1.0500	-1.0467	-1.0435	-1.0413	-1.0399	-1.0389	-1.0382
14	-1.0448	-1.0800	-1.0817	-1.0808	-1.0800	-1.0794	-1.0791	-1.0789
13	-1.0597	-1.1100	-1.1173	-1.1192	-1.1199	-1.1204	-1.1208	-1.1212
12	-1.0736	-1.1400	-1.1537	-1.1587	-1.1613	-1.1630	-1.1643	-1.1653
11	-1.0864	-1.1700	-1.1909	-1.1995	-1.2043	-1.2075	-1.2098	-1.2115
10	-1.0982	-1.2000	-1.2290	-1.2419	-1.2492	-1.2541	-1.2576	-1.2602
9	-1.1089	-1.2300	-1.2683	-1.2860	-1.2964	-1.3032	-1.3081	-1.3118
8	-1.1184	-1.2600	-1.3088	-1.3323	-1.3461	-1.3554	-1.3620	-1.3670
7	-1.1269	-1.2900	-1.3508	-1.3810	-1.3991	-1.4112	-1.4199	-1.4265
6	-1.1342	-1.3200	-1.3946	-1.4329	-1.4561	-1.4717	-1.4829	-1.4914
5	-1.1405	-1.3500	-1.4407	-1.4887	-1.5181	-1.5381	-1.5525	-1.5635
4	-1.1456	-1.3800	-1.4897	-1.5497	-1.5871	-1.6127	-1.6313	-1.6454
3	-1.1496	-1.4100	-1.5427	-1.6181	-1.6661	-1.6993	-1.7235	-1.7420
2	-1.1524	-1.4400	-1.6016	-1.6982	-1.7612	-1.8053	-1.8379	-1.8630
1	-1.1541	-1.4700	-1.6714	-1.8008	-1.8888	-1.9520	-1.9994	-2.0362

END OF SECTION 110

ITEM 150520 – MOBILIZATION

BASIS OF PAYMENT

150-3.1

ADD:

Payment will be made under:

ITEM AR150520 MOBILIZATION – PER LUMP SUM.

ITEM 152 – EXCAVATION AND EMBANKMENT

DESCRIPTION

152-1.1

ADD:

All excess excavation material shall be hauled offsite at no additional cost to the contract.

152-1.2 CLASSIFICATION

DELETE the second and third paragraphs.

152-1.3 CLEAN CONSTRUCTION OR DEMOLITION DEBRIS

PROJECT CONDITIONS

- A. Prior to bidding, the bidder shall make a site visit to become familiar with the current conditions. He shall also determine the accessibility and assess safety measures that will be necessary to perform the contract work.
- B. Material Sampling and Analysis:
 - 1. The Contractor shall provide his own sampling and analysis as required, and in compliance with applicable laws, prior to offsite disposal of all materials. This costs shall be borne by the Contractor at no additional expense to the Owner

REGULATORY REQUIREMENTS

- A. The Contractor shall comply with all applicable local, state and federal laws and regulations with regard to material removal, handling and disposal, and shall pay all assessed costs and fees.
- B. The Contractor shall comply with the Illinois Environmental Protection Act, as amended by Public Act 096-1416 that was signed in to law on July 30, 2010, Public Act 097-0137 that was signed in to law on July 14, 2011, and all applicable amendments of the Illinois Environmental Protection Act.

SUBMITTALS

- A. Contractor shall submit a Construction or Demolition Debris (CCDD) & Soil Removal and Disposal Plan to the Engineer. Submit the following as a minimum:
 - 1. A list of all construction or demolition debris anticipated to be generated requiring disposal.
 - 2. The anticipated quantity (both in tons and in cubic yards) of construction or demolition debris to be disposed of and identification of disposal facility including address and contact information.
 - 3. The anticipated quantity (both in tons and in cubic yards) of surplus soil to be disposed of, and identification of disposal facility including address and contact information.

If further CCDD testing is deemed necessary by the Contractor and/or by the Contractor's chosen disposal facility, as a minimum, the Contractor shall submit the following:

1. Proposed Testing Program to establish that the surplus soil is uncontaminated, for compliance with the requirements of the Illinois Environmental Protection Act. Include details of intended testing program, and rate of sampling (number of samples based on total quantity of surplus soil generated).
2. Credentials of the testing Lab that will perform the testing, and credentials of the Illinois Licensed Professional Engineer or Illinois Licensed Professional Geologist that will complete all required certification forms.
3. Results of the Proposed Testing Program.

GENERAL

- A. The following work shall be included:
 1. Removal, handling and legal offsite disposal of all construction or demolition debris generated from all contract work, considering it to be clean construction or demolition debris (CCDD).
 2. Removal, handling and legal offsite disposal of surplus soil generated from all contract work, considering it to be uncontaminated.
 3. Debris and surplus soil disposal shall include any onsite drying of the material as required, so that the material will pass the paint-filter test as per Method 9095B in USEPA's publication SW 846, prior to transportation.
 4. Any costs and fees for legally-permitted-facilities accepting clean construction or demolition debris (CCDD), and/or uncontaminated surplus soil.
 5. Additional sampling and testing of surplus soil to establish that it is uncontaminated, and certification to that effect by an Illinois Licensed Professional Engineer or an Illinois Licensed Professional Geologist using Form LPC-663, both as required by law and as required by the site accepting the material.
 6. Any other applicable work, costs and fees as required by local, state and federal laws.

MATERIAL CHARACTERIZATION FOR OFFSITE DISPOSAL

- A. Costs for any and all additional testing, sampling, laboratory analysis or any other document that is required by the recipient of the material (disposal site) to establish that the material is uncontaminated, shall be borne by the Contractor at no additional expense to the Owner.

CONSTRUCTION METHODS

152-2.2 EXCAVATION

REVISE: The 8th paragraph of this section to read:

In cut areas, not requiring porous granular embankment, the top 8" of subgrade shall be compacted to a density of not less than the percentage of the maximum dry density, at optimum moisture, shown in Table 1 as determined by the compaction control tests cited in Division VII for ASTM-1557 (Modified Proctor) for aircraft weights of 60,000 pounds or more. In cut areas, where abandoned utilities, including duct bank, gas pipe lines, fuel lines, water mains and sewer pipe are encountered, the utilities shall be removed. The cost of removal shall be considered incidental unless it is specifically called out for removal on the plan sheets.

In cut areas, requiring the use of porous granular embankment, the proposed subgrade shall be compacted to the satisfaction of the Resident Engineer.

152-2.10 TOPSOIL

DELETE: The 5th paragraph of this section and REPLACE with:

Any excess excavation material shall be hauled offsite at no additional cost to the contract.

152-2.15 DUST CONTROL WATERING

ADD:

This work shall consist exclusively of the control of dust resulting from construction operations and is not intended for use in the compaction of earth embankment.

Dust shall be controlled by the uniform application of sprinkled water and shall be applied as directed by the Resident Engineer, in a manner meeting his approval.

Dust control watering shall not be paid for separately, but shall be considered incidental to the contract.

METHOD OF MEASUREMENT

152-3.2

DELETE: This section.

BASIS OF PAYMENT

152-4.2

ADD:

Topsoil placement, shoulder fill and embankment fill shall not be paid for separately, but shall be included in the unit bid price for "Unclassified Excavation".

Payment will be made under:

ITEM AR152410 UNCLASSIFIED EXCAVATION – PER CUBIC YARD.

ITEM 152540 – SOIL STABILIZATION FABRIC

CONSTRUCTION METHODS

152-3.1

ADD: Soil Stabilization Fabric shall be delivered to the jobsite in such a manner as to facilitate handling and incorporation into the work without damage. Material shall be stored in such a manner as to prevent exposure to direct sunlight and damage by other construction activities.

ADD:

152-3.2

Prior to the installation of the soil stabilization fabric, the application surface shall be cleared of debris and sharp objects. In the case of subgrades, all wheel tracks or ruts in excess of 75 mm (3 inches) in depth shall be graded smooth or otherwise filled with soil to provide a reasonably smooth surface. Soil stabilization fabric may be installed on the application surface either by hand or by mechanical methods, provided that the fabric is not torn or the surface rutted.

152-3.3

Soil stabilization fabric of insufficient width or length to fully cover the specified area shall be lapped, or sewn. The minimum laps for lap only areas are 600 mm (24 inches) and for sewn areas are 100 mm (4 inches). If sewn, the seam strength shall be equal to or exceed the minimum grab tensile strength of the fabric when tested wet.

152-3.4

The crushed aggregate subbase shall be constructed to the width and depth required on the plans. The material shall be back dumped on the fabric in a sequence of operations beginning at the outer edges of the treatment area with subsequent placement towards the middle. Placement of material on the soil stabilization fabric shall be accomplished by spreading dumped material off of previously placed material with a bulldozer blade or endloader, in such a manner as to prevent tearing or shoving of the fabric. Dumping of material directly on the fabric will only be permitted to establish an initial working platform. No vehicles or construction equipment shall be allowed on the fabric prior to placement of the crushed aggregate subbase. The granular material shall be placed to the full required thickness and compacted to the satisfaction of the Resident Engineer before any loaded trucks are allowed on the area covered.

152-3.5

Soil stabilization fabric which is damaged during installation or subsequent placement of granular material due to failure of the Contractor to comply with these provisions, shall be repaired or replaced at the Contractor's expense, including costs of removal and replacement of the granular material. Torn fabric may be patched in place by cutting and placing a piece of the same fabric over the tear. The dimensions of the patch shall be at least 600 mm (2 ft.) larger than the tear in each direction, and shall be weighted or otherwise secured to prevent the granular material from causing lap separation.

BASIS OF PAYMENT

152-5.1

Payment shall be made at the contract unit price for Soil Stabilization Fabric installed on the project. This price shall be full compensation for furnishing all materials, labor, equipment, certification of material properties and any incidentals necessary to install the fabric as shown on the plans and specified herein.

Payment will be made under:

ITEM AR152540 SOIL STABILIZATION FABRIC - PER SQUARE YARD

ITEM 156000 – EROSION CONTROL

DESCRIPTION

156-1.1

ADD:

All entrances to the construction site shall have a stabilized entrance constructed in accordance with Standard IL-630 of the Natural Resources Conservation Service and the current Illinois Urban Manual.

CONSTRUCTION METHODS

156-3.9 INLET PROTECTION

Inlet filter sediment traps shall be placed in all proposed and existing inlets and catch basins as shown on the plans and hay bales placed around as shown, or as directed by the Resident Engineer.

156-3.10

In the event that temporary erosion and pollution control measures are ordered by the Engineer due to the Contractor's negligence or carelessness, the work shall be performed by the Contractor at no additional cost to the Owner.

METHOD OF MEASUREMENT

156-4.2

DELETE: This section.

156-4.3

REVISE: This section to read:

Temporary Seeding and Temporary Mulching shall not be measured for payment, but shall be considered incidental to the contract.

156-4.4

ADD:

The number of Inlet Protection paid for shall be the number shown in the plans or ordered by the Resident Engineer used to control erosion and satisfactorily completed.

BASIS OF PAYMENT

156-5.1

REVISE: This section to read:

Payment will be made at the contract unit price per each for Inlet Protection. This price shall be full compensation for furnishing all materials for all preparation and installation of these materials, including

excavation, placement, tie-down stakes, staples, maintenance and removal and for all labor, equipment, tools, and incidentals necessary to complete this item.

Stabilized construction entrances, temporary seeding and temporary mulching shall not be measured for payment. It shall be considered incidental to the contract.

Payment will be made under:

ITEM AR156520 INLET PROTECTION – PER EACH.

ITEM 208515 – POROUS GRANULAR EMBANKMENT

DESCRIPTION

208-1.1

ADD:

This work shall also consist of furnishing and placing porous granular embankment as the field conditions warrant at the time of construction as directed by the Engineer. For bidding purposes, an estimate of an additional 10% of the project area was included for this purpose.

MATERIALS

208-2.1 UNCRUSHED COARSE AGGREGATE

DELETE: This Entire Section.

208-2.3 GRADATION

DELETE: This Entire Section.

ADD:

When submitting materials for consideration, the Contractor shall provide written certification that the material meets the specified requirements. A written gradation shall also be furnished.

Gradation for Porous Granular Embankment shall be as follows:

Sieve	Percent Passing
3 inch	100
2 ½ inch	90-100
2 inch	45-75
1 ½ inch	0-30
1 inch	0-6
IDOT Gradation	CA-1

CONSTRUCTION REQUIREMENTS

208-3.2 PREPARING UNDERLYING COURSE

DELETE: This Entire Section.

208-3.3 METHODS OF PRODUCTION

DELETE: This Entire Section.

208-3.4 PLACING

DELETE: This Entire Section.

ADD:

The porous granular embankment shall be placed in lifts no greater than one (1) foot thick or as directed by the Engineer. Rolling the top of this replacement material with a vibratory roller meeting the requirements of Section 1101 of the IDOT *Standard Specification for Road and Bridge Construction* should be sufficient to obtain the desired keying or interlock and necessary compaction. The Engineer shall verify that adequate keying has been obtained.

208-3.5 FINISHING AND COMPACTING

DELETE: Fifth sentence, first paragraph.

ADD:

The base shall be compacted to the satisfaction of the Resident Engineer.

Capping aggregate will not be required when embankment meeting the requirements of Section 209 of the Standard Specifications or granular subbase is placed on top of the porous granular embankment. Capping aggregate (two (2) inch depth) meeting the requirements of Section 209 of the Standard Specifications will be required when embankment meeting the requirements of Section 152 of the Standard Specifications is placed on top of the porous granular embankment.

DELETE: Second paragraph.

DELETE: Second sentence, third paragraph and REPLACE with:

When the rolling develops irregularities that exceed 3/8 inch when tested using an acceptable method, the irregular surface shall be loosened, refilled with the same kind of material as that used in constructing the course, and rolled again as required.

METHOD OF MEASUREMENT

208-4.2

DELETE: This Entire Section.

ADD:

The quantity of Porous Granular Embankment shall be the number of cubic yards as measured by the Engineer at the specified thickness of the material placed. If required, the thickness of PGE measured for payment will include the thickness of the capping stone.

The porous granular embankment shall be used as shown and as field conditions warrant at the time of construction. No adjustment in unit price will be allowed for an increase or decrease in quantities.

The Contractor shall furnish approved duplicate load tickets upon which is recorded the net weight of the aggregates in each truck. The Contractor shall submit one (1) load ticket to the Resident Engineer, or his/her duly authorized representative, at the job site when the truck load is incorporated into the base.

BASIS OF PAYMENT

208-5.1

DELETE: Entire Section.

ADD:

Payment for porous granular embankment shall be paid for at the contract unit price per cubic yard, of which price shall be full compensation for the two (2) inch capping stone (if necessary), furnishing, spreading, compacting, watering and all incidentals related to equipment, labor and tools necessary to complete this work.

Payment will be made under:

ITEM AR208515 POROUS GRANULAR EMBANKMENT – PER CUBIC YARD.

ITEM 209 – CRUSHED AGGREGATE BASE COURSE

MATERIALS

209-2.3 GRADATION

DELETE: Gradation “C” in Table 1.

CONSTRUCTION METHODS

209-3.4 FINISHING AND COMPACTING

ADD:

The base shall be compacted to not less than 100% of maximum density at optimum moisture as determined by compaction control tests specified in Division VII for aircraft with gross weights of 60,000 lbs and more (Modified Proctor ASTM D1557).

The Contractor shall submit copies of all density test results for each lift to the Resident Engineer prior to acceptance testing.

DELETE: Second sentence, third paragraph and REPLACE with:

When the rolling develops irregularities that exceed 3/8 inch when tested using an acceptable method, the irregular surface shall be loosened, refilled with the same kind of material as that used in constructing the course, and rolled again as required.

BASIS OF PAYMENT

209-5.1

ADD:

Payment will be made under:

ITEM AR209610 CRUSHED AGG. BASE COURSE – 10” – PER SQUARE YARD.

DELETE: Item 501 Portland Cement Concrete Pavement from the Illinois Standard Specifications for Construction of Airport (Adopted April 1, 2012)

DELETE: Item 501900 Remove PCC Pavement from the Illinois Standard Specifications for Construction of Airport (Adopted April 1, 2012)

ADD: The following Item P-501 - Portland Cement Concrete (PCC) Pavement specification:

NOTE: This specification is from Federal Aviation Administration (FAA) Advisory Circular AC 150/5370-10G – Standards for Specifying Construction of Airports. As a result, it differs significantly from the Item 501 specification used in prior projects at the Airport. The Contractor should make themselves aware of the differing and additional requirements resulting from the use of this specification.

ITEM P-501 – PORTLAND CEMENT CONCRETE PAVEMENT

DESCRIPTION

501-1.1 This work shall consist of pavement composed of portland cement concrete (PCC), with reinforcement or without reinforcement constructed on a prepared underlying surface in accordance with these specifications and shall conform to the lines, grades, thickness, and typical cross-sections shown on the plans.

MATERIALS

501-2.1 Aggregates.

a. Reactivity. Fine and Coarse aggregates to be used in all concrete shall be evaluated and tested by the Contractor for alkali-aggregate reactivity in accordance with both ASTM C1260 and ASTM C1567. Aggregate and mix proportion reactivity tests shall be performed for each project.

(1) Coarse and fine aggregate shall be tested separately in accordance with ASTM C1260. The aggregate shall be considered innocuous if the expansion of test specimens, tested in accordance with ASTM C1260, does not exceed 0.10% at 28 days (30 days from casting).

(2) Combined coarse and fine aggregate shall be tested in accordance with ASTM C1567, modified for combined aggregates, using the proposed mixture design proportions of aggregates, cementitious materials, and/or specific reactivity reducing chemicals. If lithium nitrate is proposed for use with or without supplementary cementitious materials, the aggregates shall be tested in accordance with Corps of Engineers (COE) Concrete Research Division (CRD) C662. If lithium nitrate admixture is used, it shall be nominal 30% ±0.5% weight lithium nitrate in water.

(3) If the expansion of the proposed combined materials test specimens, tested in accordance with ASTM C1567, modified for combined aggregates, or COE CRD C662, does not exceed 0.10% at 28 days, the proposed combined materials will be accepted. If the expansion of the proposed combined materials test specimens is greater than 0.10% at 28 days, the aggregates will not be accepted unless adjustments to the combined materials mixture can reduce the expansion to less than 0.10% at 28 days, or new aggregates shall be evaluated and tested.

b. Fine aggregate. Fine aggregate shall conform to the requirements of ASTM C33. Grading of the fine aggregate, as delivered to the mixer, shall conform to the requirements of ASTM C33 and shall have a fineness modulus of not less than 2.50 nor more than 3.40. The soundness loss shall not exceed 10%

when sodium sulfate is used or 15% when magnesium sulfate is used, after five cycles, when tested per ASTM C88.

The amount of deleterious material in the fine aggregate shall not exceed the following limits:

Limits for Deleterious Substances in Fine Aggregate for Concrete

Deleterious material	ASTM	Percentage by Mass
Clay Lumps and friable particles	ASTM C142	1.0
Material finer than 0.075mm (No. 200 sieve)	ASTM C117	3.0
Lightweight particles	ASTM C123 using a medium with a density of Sp. Gr. of 2.0	0.5
Total of all deleterious Material		3.0

c. Coarse aggregate. Gradation, within the separated size groups, shall meet the coarse aggregate grading requirements of ASTM C33 when tested in accordance with ASTM C136. When the nominal maximum size of the aggregate is greater than one inch (25 mm), the aggregates shall be furnished in two size groups.

Aggregates delivered to the mixer shall consist of crushed stone, crushed or uncrushed gravel, air-cooled iron blast furnace slag, crushed recycled concrete pavement, or a combination. The aggregates should be free of ferrous sulfides, such as pyrite, that would cause "rust" staining that can bleed through pavement markings. Steel blast furnace slag shall not be permitted. The aggregate shall be composed of clean, hard, uncoated particles. Dust and other coating shall be removed from the aggregates by washing.

The percentage of wear shall be no more than 40 when tested in accordance with ASTM C131.

The quantity of flat, elongated, and flat and elongated particles in any size group coarser than 3/8 sieve (9 mm) shall not exceed 8% by weight when tested in accordance with ASTM D4791. A flat particle is defined as one having a ratio of width to thickness greater than 5. An elongated particle is one having a ratio of length to width greater than 5.

The soundness loss shall not exceed 12% when sodium sulfate is used or 18% when magnesium sulfate is used, after five cycles, when tested per ASTM C88.

The amount of deleterious material in the coarse aggregate shall not exceed the following limits:

Limits for Deleterious Substances in Coarse Aggregate for Concrete

Deleterious material	ASTM	Percentage by Mass
Clay Lumps and friable particles	ASTM C142	1.0
Material finer than No. 200 sieve (0.075mm)	ASTM C117	1.0
Lightweight particles	ASTM C123 using a medium with a density of Sp. Gr. of 2.0	0.5
Chert (less than 2.40 Sp Gr.)	ASTM C123 using a medium with a density of Sp. Gr. of 2.0)	1.0
Total of all deleterious Material		3.0

**Table 1. Gradation For Coarse Aggregate
 (ASTM C33)**

Sieve Designations (square openings)		Percentage by Weight Passing Sieves	
inch	mm		
2-1/2	60	---	---
2	50	---	---
1-1/2	38	---	100
1	25	100	95-100
3/4	19	90-100	---
1/2	13	---	25-60
3/8	9	20-55	---
No. 4	4.75	0-10	0-10
No. 8	2.36	0-5	0-5

(1) Aggregate susceptibility to durability (D) cracking. Aggregates that have a history of D-cracking shall not be used.

Coarse aggregate may be accepted from sources that have a 20 year service history for the same gradation to be supplied with no durability issues. Aggregates that do not have a record of 20 years of service without major repairs (less than 5% of slabs replaced) in similar conditions without D-cracking shall not be used unless it meets the following:

(a) Material currently being produced shall have a durability factor ≥ 95 using ASTM C666 procedure B. Coarse aggregates that are crushed granite, calcite cemented sandstone, quartzite, basalt, diabase, rhyolite or trap rock are considered to meet the D-cracking test but must meet all other quality tests. Aggregates meeting State Highway Department material specifications may be acceptable.

(b) The Contractor shall submit a current certification that the aggregate does not have a history of D-cracking and that the aggregate meets the state specifications for use in PCC pavement for use on interstate highways. Certifications, tests and any history reports must be for the same gradation as being proposed for use on the project. Certifications which are not dated or which are over one (1) year old or which are for different gradations will not be accepted. Test results will only be accepted when tests were performed by a State Department of Transportation (DOT) materials laboratory or an accredited laboratory.

(2) Combined aggregate gradation. If substituted for the grading requirements specified for coarse aggregate and for fine aggregate and when approved by the Engineer, the combined aggregate grading shall meet the following requirements:

(a) The materials selected and the proportions used shall be such that when the Coarseness Factor (CF) and the Workability Factor (WF) are plotted on a diagram as described in d. below, the point thus determined shall fall within the parallelogram described therein.

(b) The CF shall be determined from the following equation:

$$CF = (\text{cumulative percent retained on the } 3/8 \text{ in. sieve})(100) / (\text{cumulative percent retained on the No. 8 sieve})$$

(c) The Workability Factor WF is defined as the percent passing the No. 8 (2.36 mm) sieve based on the combined gradation. However, WF shall be adjusted, upwards only, by 2.5 percentage points for each 94 pounds (42 kg) of cementitious material per cubic meter yard greater than 564 pounds per cubic yard (335 kg per cubic meter).

(d) A diagram shall be plotted using a rectangular scale with WF on the Y-axis with units from 20 (bottom) to 45 (top), and with CF on the X-axis with units from 80 (left side) to 30 (right side). On this diagram a parallelogram shall be plotted with corners at the following coordinates (CF-75, WF-28), (CF-75, WF-40), (CF-45, WF-32.5), and (CF-45, WF-44.5). If the point determined by the intersection of the computed CF and WF does not fall within the above parallelogram, the grading of each size of aggregate used and the proportions selected shall be changed as necessary.

501-2.2 Cement. Cement shall conform to the requirements of ASTM C150 Type I.

If aggregates are deemed innocuous when tested in accordance with paragraph 501-2.1.a.1 and accepted in accordance with paragraph 501-2.1.a.2, higher equivalent alkali content in the cement may be allowed if approved by the Engineer and FAA. If cement becomes partially set or contains lumps of caked cement, it shall be rejected. Cement salvaged from discarded or used bags shall not be used.

501-2.3 Cementitious materials.

a. Fly ash. Fly ash shall meet the requirements of ASTM C618, with the exception of loss of ignition, where the maximum shall be less than 6%. Fly ash for use in mitigating alkali-silica reactivity shall have a Calcium Oxide (CaO) content of less than 13% and a total available alkali content less than 3% per ASTM C311. Fly ash produced in furnace operations using liming materials or soda ash (sodium carbonate) as an additive shall not be acceptable. The Contractor shall furnish the previous three most recent, consecutive ASTM C618 reports for each source of fly ash proposed in the mix design, and shall furnish each additional report as they become available during the project. The reports can be used for acceptance or the material may be tested independently by the Engineer.

b. Slag cement (ground granulated blast furnace (GGBF)). Slag cement shall conform to ASTM C989, Grade 100 or Grade 120. Slag cement shall be used only at a rate between 25% and 55% of the total cementitious material by mass.

c. Raw or calcined natural pozzolan. Natural pozzolan shall be raw or calcined and conform to ASTM C618, Class N, including the optional requirements for uniformity and effectiveness in controlling Alkali-Silica reaction and shall have a loss on ignition not exceeding 6%. Class N pozzolan for use in mitigating Alkali-Silica Reactivity shall have a total available alkali content less than 3%.

d. Ultrafine fly ash and ultrafine pozzolan – Not used

501-2.4 Joint seal. The joint seal for the joints in the concrete pavement shall meet the requirements of Item P-605 and shall be of the type specified in the plans.

501-2.5 Isolation joint filler. Premolded joint filler for isolation joints shall conform to the requirements of ASTM D1751 and shall be where shown on the plans. The filler for each joint shall be furnished in a single piece for the full depth and width required for the joint, unless otherwise specified by the Engineer. When the use of more than one piece is required for a joint, the abutting ends shall be fastened securely and held accurately to shape by stapling or other positive fastening means satisfactory to the Engineer.

501-2.6 Steel reinforcement. Reinforcing shall meet the following requirements:

ASTM A615	Standard Specification for Deformed and Plain Carbon-Steel Bars for Concrete Reinforcement
ASTM A706	Standard Specification for Low-Alloy Steel Deformed and Plain Bars for Concrete Reinforcement
ASTM A775	Standard Specification for Epoxy-Coated Steel Reinforcing Bars
ASTM A934	Standard Specification for Epoxy-Coated Prefabricated Steel Reinforcing Bars
ASTM A1064	Standard Specification for Carbon-Steel Wire and Welded Wire Reinforcement, Plain and Deformed, for Concrete
ASTM A184 or A704,	Bar mats

Welded wire fabric shall be furnished in flat sheets only.

501-2.7 Dowel and tie bars. Dowel bars shall be plain steel bars conforming to ASTM A615 and shall be free from burring or other deformation restricting slippage in the concrete. Before delivery to the construction site each dowel bar shall be epoxy coated per ASTM A1078. The dowels shall be coated with a bond-breaker recommended by the manufacturer. Dowel sleeves or inserts are not permitted. Grout retention rings shall be fully circular metal or plastic devices capable of supporting the dowel until the grout hardens.

Tie bars shall be deformed steel bars and conform to the requirements of ASTM A615. Tie bars designated as Grade 60 in ASTM A615 or ASTM A706 shall be used for construction requiring bent bars.

501-2.8 Water. Water used in mixing or curing shall be potable, clean, free of oil, salt, acid, alkali, sugar, vegetable, or other substances injurious to the finished product, except that non-potable water, or water from concrete production operations, may be used if it meets the requirements of ASTM C1602.

501-2.9 Material for curing concrete. Curing materials shall conform to one of the following specifications:

- a. Liquid membrane-forming compounds for curing concrete shall conform to the requirements of ASTM C309, Type 2, Class B, or Class A if wax base only.
- b. White polyethylene film for curing concrete shall conform to the requirements of ASTM C171.
- c. White burlap-polyethylene sheeting for curing concrete shall conform to the requirements of ASTM C171.
- d. Waterproof paper for curing concrete shall conform to the requirements of ASTM C171.

501-2.10 Admixtures. The Contractor shall submit certificates indicating that the material to be furnished meets all of the requirements indicated below. In addition, the Engineer may require the Contractor to submit complete test data from an approved laboratory showing that the material to be furnished meets all of the requirements of the cited specifications. Subsequent tests may be made of samples taken by the Engineer from the supply of the material being furnished or proposed for use on the work to determine whether the admixture is uniform in quality with that approved.

a. Air-entraining admixtures. Air-entraining admixtures shall meet the requirements of ASTM C260 and shall consistently entrain the air content in the specified ranges under field conditions. The air-entrainment agent and any water reducer admixture shall be compatible.

b. Water-reducing admixtures. Water-reducing admixture shall meet the requirements of ASTM C494, Type A, B, or D. ASTM C494, Type F and G high range water reducing admixtures and ASTM C1017 flowable admixtures shall not be used.

c. Other admixtures. The use of set retarding, and set-accelerating admixtures shall be approved by the Engineer. Retarding shall meet the requirements of ASTM C494, Type A, B, or D and set-accelerating shall meet the requirements of ASTM C494, Type C. Calcium chloride and admixtures containing calcium chloride shall not be used.

d. Lithium Nitrate. The lithium admixture shall be a nominal 30% aqueous solution of Lithium Nitrate, with a density of 10 pounds/gallon (1.2 kg/L), and shall have the approximate chemical form as shown below:

<u>Constituent</u>	<u>Limit (Percent by Mass)</u>
LiNO ₃ (Lithium Nitrate)	30 ±0.5
SO ₄ (Sulfate Ion)	0.1 (max)
Cl (Chloride Ion)	0.2 (max)
Na (Sodium Ion)	0.1 (max)
K (Potassium Ion)	0.1 (max)

Provide a trained manufacturer's representative to supervise the lithium nitrate admixture dispensing and mixing operations.

501-2.11 Epoxy-resin. All epoxy-resin materials shall be two-component materials conforming to the requirements of ASTM C881, Class as appropriate for each application temperature to be encountered, except that in addition, the materials shall meet the following requirements:

a. Material for use for embedding dowels and anchor bolts shall be Type IV, Grade 3.

b. Material for use as patching materials for complete filling of spalls and other voids and for use in preparing epoxy resin mortar shall be Type III, Grade as approved.

c. Material for use for injecting cracks shall be Type IV, Grade 1.

d. Material for bonding freshly mixed Portland cement concrete or mortar or freshly mixed epoxy resin concrete or mortar to hardened concrete shall be Type V, Grade as approved.

501-2.12 Material acceptance. Prior to use of materials, the Contractor shall submit certified test reports to the Engineer for those materials proposed for use during construction. The certification shall show the appropriate ASTM test for each material, the test results, and a statement that the material passed or failed.

The Engineer may request samples for testing, prior to and during production, to verify the quality of the materials and to ensure conformance with the applicable specifications.

MIX DESIGN

501-3.1. General. No concrete shall be placed until the mix design has been submitted to the Engineer for review and the Engineer has taken appropriate action. The Engineer's review shall not relieve the Contractor of the responsibility to select and proportion the materials to comply with this section.

501-3.2 Proportions. The laboratory preparing the mix design shall be accredited in accordance with ASTM C1077. The mix design for all Portland cement concrete placed under P-501 shall be stamped or sealed by the responsible professional Engineer of the laboratory. Concrete shall be proportioned to achieve a 28-day flexural strength that meets or exceeds the acceptance criteria contained in paragraph 501-5.2 for a flexural strength of **650** psi per ASTM C78. The mix shall be developed using the procedures contained in the Portland Cement Association's (PCA) publication, "Design and Control of Concrete Mixtures".

The minimum cementitious material shall be adequate to ensure a workable, durable mix. The minimum cementitious material (cement plus fly ash, or slag cement) shall be **611** pounds per cubic yard. The ratio of water to cementitious material, including free surface moisture on the aggregates but not including moisture absorbed by the aggregates shall not be more than **0.45** by weight.

Flexural strength test specimens shall be prepared in accordance with ASTM C192 and tested in accordance with ASTM C78. The mix determined shall be workable concrete having a maximum allowable slump between one and two inches (25mm and 50 mm) as determined by ASTM C143. For slip-form concrete, the slump shall be between 1/2 inch (12 mm) and 1-1/2 inch (38 mm). At the start of the project, the Contractor shall determine a maximum allowable slump for slip-form pavement which will produce in-

place pavement to control the edge slump. The selected slump shall be applicable to both pilot and fill-in lanes.

Before the start of paving operations and after approval of all material to be used in the concrete, the Contractor shall submit a mix design showing the proportions and flexural strength obtained from the concrete at seven (7) and 28 days. The mix design shall include copies of test reports, including test dates, and a complete list of materials including type, brand, source, and amount of cement, fly ash, ground slag, coarse aggregate, fine aggregate, water, and admixtures. The mix design shall be submitted to the Engineer at least 30 days prior to the start of operations. The submitted mix design shall not be more than 90 days old. Production shall not begin until the mix design is approved in writing by the Engineer.

If a change in sources is made, or admixtures added or deleted from the mix, a new mix design must be submitted to the Engineer for approval.

The results of the mix design shall include a statement giving the maximum nominal coarse aggregate size and the weights and volumes of each ingredient proportioned on a one cubic yard (meter) basis. Aggregate quantities shall be based on the mass in a saturated surface dry condition. The recommended mixture proportions shall be accompanied by test results demonstrating that the proportions selected will produce concrete of the qualities indicated. Trial mixtures having proportions, slumps, and air content suitable for the work shall be based on methodology described in PCA's publication, Design and Control of Concrete Mixtures, modified as necessary to accommodate flexural strength.

The submitted mix design shall be stamped or sealed by the responsible professional Engineer of the laboratory and shall include the following items as a minimum:

- a. Coarse, fine, and combined aggregate gradations and plots including fineness modulus of the fine aggregate.
- b. Reactivity Test Results.
- c. Coarse aggregate quality test results, including deleterious materials.
- d. Fine aggregate quality test results, including deleterious materials.
- e. Mill certificates for cement and supplemental cementitious materials.
- f. Certified test results for all admixtures, including Lithium Nitrate if applicable.
- g. Specified flexural strength, slump, and air content.
- h. Recommended proportions/volumes for proposed mixture and trial water-cementitious materials ratio, including actual slump and air content.
- i. Flexural and compressive strength summaries and plots, including all individual beam and cylinder breaks.
- j. Correlation ratios for acceptance testing and Contractor Quality Control testing, when applicable.
- k. Historical record of test results documenting production standard deviation, when applicable.

501-3.3 Cementitious materials.

a. Fly ash. When fly ash is used as a partial replacement for cement, the replacement rate shall be determined from laboratory trial mixes, and shall be between 20 and 30% by weight of the total cementitious material. If fly ash is used in conjunction with slag cement the maximum replacement rate shall not exceed 10% by weight of total cementitious material.

b. Slag cement (ground granulated blast furnace (GGBF)). Slag cement may be used. The slag cement, or slag cement plus fly ash if both are used, may constitute between 25 to 55% of the total cementitious material by weight. If the concrete is to be used for slipforming operations and the air temperature is expected to be lower than 55°F (13°C) the percent slag cement shall not exceed 30% by weight.

c. Raw or calcined natural pozzolan. Natural pozzolan may be used in the mix design. When pozzolan is used as a partial replacement for cement, the replacement rate shall be determined from laboratory trial mixes, and shall be between 20 and 30% by weight of the total cementitious material. If pozzolan is used in conjunction with slag cement the maximum replacement rate shall not exceed 10% by weight of total cementitious material.

d. Ultrafine fly ash (UFFA) and ultrafine pozzolan (UFP). – Not used.

501-3.4 Admixtures.

a. Air-entraining admixtures. Air-entraining admixture are to be added in such a manner that will ensure uniform distribution of the agent throughout the batch. The air content of freshly mixed air-entrained concrete shall be based upon trial mixes with the materials to be used in the work adjusted to produce concrete of the required plasticity and workability. The percentage of air in the mix shall be **6.0%**. Air content shall be determined by testing in accordance with ASTM C231 for gravel and stone coarse aggregate and ASTM C173 for slag and other highly porous coarse aggregate.

b. Water-reducing admixtures. Water-reducing admixtures shall be added to the mix in the manner recommended by the manufacturer and in the amount necessary to comply with the specification requirements. Tests shall be conducted on trial mixes, with the materials to be used in the work, in accordance with ASTM C494.

c. Other admixtures. Set controlling, and other approved admixtures shall be added to the mix in the manner recommended by the manufacturer and in the amount necessary to comply with the specification requirements. Tests shall be conducted on trial mixes, with the materials to be used in the work, in accordance with ASTM C 494.

d. Lithium nitrate. Lithium nitrate shall be added to the mix in the manner recommended by the manufacturer and in the amount necessary to comply with the specification requirements in accordance with paragraph 501-2.10d.

501-3.5 Concrete mix design laboratory. The Contractor's laboratory used to develop the concrete mix design shall be accredited in accordance with ASTM C1077. The laboratory accreditation must be current and listed on the accrediting authority's website. All test methods required for developing the concrete mix design must be listed on the lab accreditation. A copy of the laboratory's current accreditation and accredited test methods shall be submitted to the Engineer prior to start of construction

CONSTRUCTION METHODS

501-4.1 Equipment. Equipment necessary for handling materials and performing all parts of the work shall be approved by the Engineer, but does not relieve the Contractor of the responsibility for the proper operation of equipment and maintaining the equipment in good working condition. The equipment shall be at the jobsite sufficiently ahead of the start of paving operations to be examined thoroughly and approved.

a. Batch plant and equipment. The batch plant and equipment shall conform to the requirements of ASTM C94.

b. Mixers and transportation equipment.

(1) General. Concrete may be mixed at a central plant, or wholly or in part in truck mixers. Each mixer shall have attached in a prominent place a manufacturer's nameplate showing the capacity of the drum in terms of volume of mixed concrete and the speed of rotation of the mixing drum or blades.

(2) Central plant mixer. Central plant mixers shall conform to the requirements of ASTM C94. The mixer shall be examined daily for changes in condition due to accumulation of hard concrete or mortar or wear of blades. The pickup and throwover blades shall be replaced when they have worn down 3/4 inch (19 mm) or more. The Contractor shall have a copy of the manufacturer's design on hand showing dimensions and arrangement of blades in reference to original height and depth.

(3) Truck mixers and truck agitators. Truck mixers used for mixing and hauling concrete and truck agitators used for hauling central-mixed concrete shall conform to the requirements of ASTM C94.

(4) Nonagitator trucks. Nonagitating hauling equipment shall conform to the requirements of ASTM C94.

(5) Transfer and spreading equipment. Equipment for transferring concrete from the transporting equipment to the paving lane in front of the paver shall be specially manufactured, self-propelled transfer equipment which will accept the concrete outside the paving lane and will transfer and spread it evenly across the paving lane in front of the paver and strike off the surface evenly to a depth which permits the paver to operate efficiently.

c. Finishing equipment. The standard method of constructing concrete pavements shall be with an approved slip-form paving equipment designed and operated to spread, consolidate, screed, and float-finish the freshly placed concrete in one complete pass of the machine so that the end result is a dense and homogeneous pavement which is achieved with a minimum of hand finishing. The paver-finisher shall be a heavy duty, self-propelled machine designed specifically for paving and finishing high quality concrete pavements. It shall weigh at least 2,200 lbs per foot (3274 kg/m) of paving lane width and powered by an engine having at least 6.0 horsepower per foot of lane width.

On projects requiring less than 500 square yard (418 sq m) of cement concrete pavement or requiring individual placement areas of less than 500 square yard (418 sq m), or irregular areas at locations inaccessible to slip-form paving equipment, concrete pavement may be placed with approved placement and finishing equipment using stationary side forms. Hand screeding and float finishing may only be used on small irregular areas as allowed by the Engineer.

d. Vibrators. Vibrator shall be the internal type. Operating frequency for internal vibrators shall be between 8,000 and 12,000 vibrations per minute. Average amplitude for internal vibrators shall be 0.025-0.05 inch (0.06 - 0.13 cm).

The number, spacing, and frequency shall be as necessary to provide a dense and homogeneous pavement and meet the recommendations of American Concrete Institute (ACI) 309, Guide for Consolidation of Concrete. Adequate power to operate all vibrators shall be available on the paver. The vibrators shall be automatically controlled so that they shall be stopped as forward motion ceases. The Contractor shall provide an electronic or mechanical means to monitor vibrator status. The checks on vibrator status shall occur a minimum of two times per day or when requested by the Engineer.

Hand held vibrators may be used in irregular areas only, but shall meet the recommendations of ACI 309R, Guide for Consolidation of Concrete.

e. Concrete saws. The Contractor shall provide sawing equipment adequate in number of units and power to complete the sawing to the required dimensions. The Contractor shall provide at least one standby saw in good working order and a supply of saw blades at the site of the work at all times during sawing operations. Early-entry saws may be used, subject to demonstration and approval of the Engineer.

f. Side forms. Straight side forms shall be made of steel and shall be furnished in sections not less than 10 feet (3 m) in length. Forms shall have a depth equal to the pavement thickness at the edge, and a base width equal to or greater than the depth. Flexible or curved forms of proper radius shall be used for curves of 100-foot (31 m) radius or less. Forms shall be provided with adequate devices for secure settings so that when in place they will withstand, without visible spring or settlement, the impact and vibration of the consolidating and finishing equipment. Forms with battered top surfaces and bent, twisted or broken forms shall not be used. Built-up forms shall not be used, except as approved by the Engineer. The top face of the form shall not vary from a true plane more than 1/8 inch (3 mm) in 10 feet (3 m), and the upstanding leg shall not vary more than 1/4 inch (6 mm). The forms shall contain provisions for locking the ends of abutting sections together tightly for secure setting. Wood forms may be used under special conditions, when approved by the Engineer.

g. Pavers. The paver shall be fully energized, self-propelled, and designed for the specific purpose of placing, consolidating, and finishing the concrete pavement, true to grade, tolerances, and cross-section. It shall be of sufficient weight and power to construct the maximum specified concrete paving lane width as

shown in the plans, at adequate forward speed, without transverse, longitudinal or vertical instability or without displacement. The paver shall be equipped with electronic or hydraulic horizontal and vertical control devices.

501-4.2 Form setting. Forms shall be set sufficiently in advance of the concrete placement to ensure continuous paving operation. After the forms have been set to correct grade, the underlying surface shall be thoroughly tamped, either mechanically or by hand, at both the inside and outside edges of the base of the forms. Forms shall be staked into place sufficiently to maintain the form in position for the method of placement.

Form sections shall be tightly locked and shall be free from play or movement in any direction. The forms shall not deviate from true line by more than 1/8 inch (3 mm) at any joint. Forms shall be so set that they will withstand, without visible spring or settlement, the impact and vibration of the consolidating and finishing equipment. Forms shall be cleaned and oiled prior to the placing of concrete.

The alignment and grade elevations of the forms shall be checked and corrections made by the Contractor immediately before placing the concrete.

501-4.3 Conditioning of underlying surface. The compacted underlying surface on which the pavement will be placed shall be widened approximately 3 feet (1 m) to extend beyond the paving machine track to support the paver without any noticeable displacement. After the underlying surface has been placed and compacted to the required density, the areas that will support the paving machine and the area to be paved shall be trimmed or graded to the plan grade elevation and profile by means of a properly designed machine. The grade of the underlying surface shall be controlled by a positive grade control system using lasers, stringlines, or guide wires. If the density of the underlying surface is disturbed by the trimming operations, it shall be corrected by additional compaction and retested at the option of the Engineer before the concrete is placed except when stabilized subbases are being constructed. If damage occurs on a stabilized subbase, it shall be corrected full depth by the Contractor. If traffic is allowed to use the prepared grade, the grade shall be checked and corrected immediately before the placement of concrete. The prepared grade shall be moistened with water, without saturating, immediately ahead of concrete placement to prevent rapid loss of moisture from concrete. The underlying surface shall be protected so that it will be entirely free of frost when concrete is placed.

501-4.4 Conditioning of underlying surface, side-form and fill-in lane construction. The prepared underlying surface shall be moistened with water, without saturating, immediately ahead of concrete placement to prevent rapid loss of moisture from the concrete. Damage caused by hauling or usage of other equipment shall be corrected and retested at the option of the Engineers. If damage occurs to a stabilized subbase, it shall be corrected full depth by the Contractor. A template shall be provided and operated on the forms immediately in advance of the placing of all concrete. The template shall be propelled only by hand and not attached to a tractor or other power unit. Templates shall be adjustable so that they may be set and maintained at the correct contour of the underlying surface. The adjustment and operation of the templates shall be such as will provide an accurate retest of the grade before placing the concrete thereon. All excess material shall be removed and wasted. Low areas shall be filled and compacted to a condition similar to that of the surrounding grade. The underlying surface shall be protected so that it will be entirely free from frost when the concrete is placed. The use of chemicals to eliminate frost in the underlying surface shall not be permitted.

The template shall be maintained in accurate adjustment, at all times by the Contractor, and shall be checked daily.

501-4.5 Handling, measuring, and batching material. The batch plant site, layout, equipment, and provisions for transporting material shall assure a continuous supply of material to the work. Stockpiles shall be constructed in such a manner that prevents segregation and intermixing of deleterious materials. Aggregates from different sources shall be stockpiled, weighed and batched separately at the concrete batch plant.

Aggregates that have become segregated or mixed with earth or foreign material shall not be used. All aggregates produced or handled by hydraulic methods, and washed aggregates, shall be stockpiled or

binned for draining at least 12 hours before being batched. Rail shipments requiring more than 12 hours will be accepted as adequate binning only if the car bodies permit free drainage.

Batching plants shall be equipped to proportion aggregates and bulk cement, by weight, automatically using interlocked proportioning devices of an approved type. When bulk cement is used, the Contractor shall use a suitable method of handling the cement from weighing hopper to transporting container or into the batch itself for transportation to the mixer, such as a chute, boot, or other approved device, to prevent loss of cement. The device shall be arranged to provide positive assurance that the cement content specified is present in each batch.

501-4.6 Mixing concrete. The concrete may be mixed at the work site, in a central mix plant or in truck mixers. The mixer shall be of an approved type and capacity. Mixing time shall be measured from the time all materials, except water, are emptied into the drum. All concrete shall be mixed and delivered to the site in accordance with the requirements of ASTM C94.

Mixed concrete from the central mixing plant shall be transported in truck mixers, truck agitators, or non-agitating trucks. The elapsed time from the addition of cementitious material to the mix until the concrete is deposited in place at the work site shall not exceed 30 minutes when the concrete is hauled in non-agitating trucks, nor 90 minutes when the concrete is hauled in truck mixers or truck agitators. Retempering concrete by adding water or by other means will not be permitted. With transit mixers additional water may be added to the batch materials and additional mixing performed to increase the slump to meet the specified requirements provided the addition of water is performed within 45 minutes after the initial mixing operations and provided the water/cementitious ratio specified in the approved mix design is not exceeded, and approved by the Engineer.

501-4.7 Limitations on mixing and placing. No concrete shall be mixed, placed, or finished when the natural light is insufficient, unless an adequate and approved artificial lighting system is operated.

a. Cold weather. Unless authorized in writing by the Engineer, mixing and concreting operations shall be discontinued when a descending air temperature in the shade and away from artificial heat reaches 40°F (4°C) and shall not be resumed until an ascending air temperature in the shade and away from artificial heat reaches 35°F (2°C).

The aggregate shall be free of ice, snow, and frozen lumps before entering the mixer. The temperature of the mixed concrete shall not be less than 50°F (10°C) at the time of placement. Concrete shall not be placed on frozen material nor shall frozen aggregates be used in the concrete.

When concreting is authorized during cold weather, water and/or the aggregates may be heated to not more than 150°F (66°C). The apparatus used shall heat the mass uniformly and shall be arranged to preclude the possible occurrence of overheated areas which might be detrimental to the materials.

b. Hot weather. During periods of hot weather when the maximum daily air temperature exceeds 85°F (30°C), the following precautions shall be taken.

The forms and/or the underlying surface shall be sprinkled with water immediately before placing the concrete. The concrete shall be placed at the coolest temperature practicable, and in no case shall the temperature of the concrete when placed exceed 90°F (32°C). The aggregates and/or mixing water shall be cooled as necessary to maintain the concrete temperature at or not more than the specified maximum.

The finished surfaces of the newly laid pavement shall be kept damp by applying a water-fog or mist with approved spraying equipment until the pavement is covered by the curing medium. When necessary, wind screens shall be provided to protect the concrete from an evaporation rate in excess of 0.2 psf (0.98 kg/m² per hour) per hour. When conditions are such that problems with plastic cracking can be expected, and particularly if any plastic cracking begins to occur, the Contractor shall immediately take such additional measures as necessary to protect the concrete surface. Such measures shall consist of wind screens, more effective fog sprays, and similar measures commencing immediately behind the paver. If these measures are not effective in preventing plastic cracking, paving operations shall be immediately stopped.

c. Temperature management program. Prior to the start of paving operation for each day of paving, the Contractor shall provide the Engineer with a Temperature Management Program for the concrete to be

placed to assure that uncontrolled cracking is avoided. As a minimum the program shall address the following items:

- (1) Anticipated tensile strains in the fresh concrete as related to heating and cooling of the concrete material.
- (2) Anticipated weather conditions such as ambient temperatures, wind velocity, and relative humidity; and anticipated evaporation rate using Figure 11-8, PCA, Design and Control of Concrete Mixtures.
- (3) Anticipated timing of initial sawing of joint.
- (4) Anticipated number and type of saws to be used.

501-4.8 Placing concrete. At any point in concrete conveyance, the free vertical drop of the concrete from one point to another or to the underlying surface shall not exceed 3 feet (1 m). The finished concrete product must be dense and homogeneous, without segregation and conforming to the standards in this specification. Backhoes and grading equipment shall not be used to distribute the concrete in front of the paver. Front end loaders will not be used. All concrete shall be consolidated without voids or segregation, including under and around all load-transfer devices, joint assembly units, and other features embedded in the pavement. Hauling equipment or other mechanical equipment can be permitted on adjoining previously constructed pavement when the concrete strength reaches a flexural strength of 550 psi (3792 kPa) or a compressive strength of 3,500 psi (24130 kPa), based on the average of four field cured specimens per 2,000 cubic yards (1,530 cubic meters) of concrete placed. Also, subgrade and subbase planers, concrete pavers, and concrete finishing equipment may be permitted to ride upon the edges of previously constructed pavement when the concrete has attained a minimum flexural strength of 400 psi (2757 kPa).

The Contractor shall have available materials for the protection of the concrete during inclement weather. Such protective materials shall consist of rolled polyethylene sheeting at least 4 mils (0.1 mm) thick of sufficient length and width to cover the plastic concrete slab and any edges. The sheeting may be mounted on either the paver or a separate movable bridge from which it can be unrolled without dragging over the plastic concrete surface. When rain appears imminent, all paving operations shall stop and all available personnel shall begin covering the surface of the unhardened concrete with the protective covering.

a. Slip-form construction. The concrete shall be distributed uniformly into final position by a self-propelled slip-form paver without delay. The alignment and elevation of the paver shall be regulated from outside reference lines established for this purpose. The paver shall vibrate the concrete for the full width and depth of the strip of pavement being placed and the vibration shall be adequate to provide a consistency of concrete that will stand normal to the surface with sharp well defined edges. The sliding forms shall be rigidly held together laterally to prevent spreading of the forms. The plastic concrete shall be effectively consolidated by internal vibration with transverse vibrating units for the full width of the pavement and/or a series of equally placed longitudinal vibrating units. The space from the outer edge of the pavement to longitudinal unit shall not exceed 9 inches (23 cm) for slipform and at the end of the dowels for the fill-in lanes. The spacing of internal units shall be uniform and shall not exceed 18 inches (0.5 m).

The term internal vibration means vibrating units located within the specified thickness of pavement section.

The rate of vibration of each vibrating unit shall be within 8000 to 12000 cycles per minute and the amplitude of vibration shall be sufficient to be perceptible on the surface of the concrete along the entire length of the vibrating unit and for a distance of at least one foot (30 cm). The frequency of vibration or amplitude shall vary proportionately with the rate of travel to result in a uniform density and air content. The paving machine shall be equipped with a tachometer or other suitable device for measuring and indicating the actual frequency of vibrations.

The concrete shall be held at a uniform consistency. The slip-form paver shall be operated with as nearly a continuous forward movement as possible and all operations of mixing, delivering, and spreading concrete shall be coordinated to provide uniform progress with stopping and starting of the paver held to a minimum. If for any reason, it is necessary to stop the forward movement of the paver, the vibratory and tamping elements shall also be stopped immediately. No tractive force shall be applied to the machine, except that which is controlled from the machine.

When concrete is being placed adjacent to an existing pavement, that part of the equipment which is supported on the existing pavement shall be equipped with protective pads on crawler tracks or rubber-tired wheels on which the bearing surface is offset to run a sufficient distance from the edge of the pavement to avoid breaking the pavement edge.

Not more than 15% of the total free edge of each 500 foot (150 m) segment of pavement, or fraction thereof, shall have an edge slump exceeding 1/4 inch (6 mm), and none of the free edge of the pavement shall have an edge slump exceeding 3/8 inch (9 mm). (The total free edge of 500 feet (150 m) of pavement will be considered the cumulative total linear measurement of pavement edge originally constructed as nonadjacent to any existing pavement; that is, 500 feet (150 m) of paving lane originally constructed as a separate lane will have 1,000 feet (300 m) of free edge, 500 feet (150 m) of fill-in lane will have no free edge, etc.). The area affected by the downward movement of the concrete along the pavement edge shall be limited to not more than 18 inches (0.5 m) from the edge. When excessive edge slump cannot be corrected before the concrete has hardened, the area with excessive edge slump shall be removed and replaced at the expense of the Contractor as directed by the Engineer.

b. Side-form construction. Side form sections shall be straight, free from warps, bends, indentations, or other defects. Defective forms shall be removed from the work. Metal side forms shall be used except at end closures and transverse construction joints where straight forms of other suitable material may be used.

Side forms may be built up by rigidly attaching a section to either top or bottom of forms. If such build-up is attached to the top of metal forms, the build-up shall also be metal.

Width of the base of all forms shall be equal to or greater than the specified pavement thickness.

Side forms shall be of sufficient rigidity, both in the form and in the interlocking connection with adjoining forms, that springing will not occur under the weight of subgrading and paving equipment or from the pressure of the concrete. The Contractor shall provide sufficient forms so that there will be no delay in placing concrete due to lack of forms.

Before placing side forms, the underlying material shall be at the proper grade. Side forms shall have full bearing upon the foundation throughout their length and width of base and shall be placed to the required grade and alignment of the finished pavement. They shall be firmly supported during the entire operation of placing, compacting, and finishing the pavement.

Forms shall be drilled in advance of being placed to line and grade to accommodate tie bars where these are specified.

Immediately in advance of placing concrete and after all subbase operations are completed, side forms shall be trued and maintained to the required line and grade for a distance sufficient to prevent delay in placing.

Side forms shall remain in place at least 12 hours after the concrete has been placed, and in all cases until the edge of the pavement no longer requires the protection of the forms. Curing compound shall be applied to the concrete immediately after the forms have been removed.

Side forms shall be thoroughly cleaned and oiled each time they are used and before concrete is placed against them.

Concrete shall be spread, screeded, shaped and consolidated by one or more self-propelled machines. These machines shall uniformly distribute and consolidate concrete without segregation so that the completed pavement will conform to the required cross-section with a minimum of handwork.

The number and capacity of machines furnished shall be adequate to perform the work required at a rate equal to that of concrete delivery.

Concrete for the full paving width shall be effectively consolidated by internal vibrators without causing segregation. Internal type vibrators' rate of vibration shall be not less than 7,000 cycles per minute. Amplitude of vibration shall be sufficient to be perceptible on the surface of the concrete more than one foot (30 cm) from the vibrating element. The Contractor shall furnish a tachometer or other suitable device for measuring and indicating frequency of vibration.

Power to vibrators shall be connected so that vibration ceases when forward or backward motion of the machine is stopped.

The provisions relating to the frequency and amplitude of internal vibration shall be considered the minimum requirements and are intended to ensure adequate density in the hardened concrete.

c. Consolidation. Concrete shall be consolidated with the specified type of lane-spanning, gang-mounted, mechanical, immersion type vibrating equipment mounted in front of the paver, supplemented, in rare instances as specified, by hand-operated vibrators. The vibrators shall be inserted into the concrete to a depth that will provide the best full-depth consolidation but not closer to the underlying material than inches (50 mm). Excessive vibration shall not be permitted. If the vibrators cause visible tracking in the paving lane, the paving operation shall be stopped and equipment and operations modified to prevent it. Concrete in small, odd-shaped slabs or in isolated locations inaccessible to the gang-mounted vibration equipment shall be vibrated with an approved hand-operated immersion vibrator operated from a bridge spanning the area. Vibrators shall not be used to transport or spread the concrete. Hand-operated vibrators shall not be operated in the concrete at one location for more than 20 seconds. Insertion locations for hand-operated vibrators shall be between 6 to 15 inches (150 to 400 mm) on centers. For each paving train, at least one additional vibrator spud, or sufficient parts for rapid replacement and repair of vibrators shall be maintained at the paving site at all times. Any evidence of inadequate consolidation (honeycomb along the edges, large air pockets, or any other evidence) shall require the immediate stopping of the paving operation and adjustment of the equipment or procedures as approved by the Engineer.

If a lack of consolidation of the concrete is suspected by the Engineer, referee testing may be required. Referee testing of hardened concrete will be performed by the Engineer by cutting cores from the finished pavement after a minimum of 24 hours curing. Density determinations will be made by the Engineer based on the water content of the core as taken. ASTM C642 shall be used for the determination of core density in the saturated-surface dry condition. When required, referee cores will be taken at the minimum rate of one for each 500 cubic yards (382 m²) of pavement, or fraction. The Contractor shall be responsible for all referee testing cost if they fail to meet the required density.

The average density of the cores shall be at least 97% of the original mix design density, with no cores having a density of less than 96% of the original mix design density. Failure to meet the referee tests will be considered evidence that the minimum requirements for vibration are inadequate for the job conditions. Additional vibrating units or other means of increasing the effect of vibration shall be employed so that the density of the hardened concrete conforms to the above requirements.

501-4.9 Strike-off of concrete and placement of reinforcement. Following the placing of the concrete, it shall be struck off to conform to the cross-section shown on the plans and to an elevation that when the concrete is properly consolidated and finished, the surface of the pavement shall be at the elevation shown on the plans. When reinforced concrete pavement is placed in two layers, the bottom layer shall be struck off to such length and depth that the sheet of reinforcing steel fabric or bar mat may be laid full length on the concrete in its final position without further manipulation. The reinforcement shall then be placed directly upon the concrete, after which the top layer of the concrete shall be placed, struck off, and screeded. If any portion of the bottom layer of concrete has been placed more than 30 minutes without being covered with the top layer or if initial set has taken place, it shall be removed and replaced with freshly mixed concrete at the Contractor's expense. When reinforced concrete is placed in one layer, the reinforcement may be positioned in advance of concrete placement or it may be placed in plastic concrete by mechanical or vibratory means after spreading.

Reinforcing steel, at the time concrete is placed, shall be free of mud, oil, or other organic matter that may adversely affect or reduce bond. Reinforcing steel with rust, mill scale or a combination of both will be considered satisfactory, provided the minimum dimensions, weight, and tensile properties of a hand wire-brushed test specimen are not less than the applicable ASTM specification requirements.

501-4.10 Joints. Joints shall be constructed as shown on the plans and in accordance with these requirements. All joints shall be constructed with their faces perpendicular to the surface of the pavement and finished or edged as shown on the plans. Joints shall not vary more than 1/2 inch (12 mm) from their designated position and shall be true to line with not more than 1/4 inch (6 mm) variation in 10 feet (3 m).

The surface across the joints shall be tested with a 12 feet (3 m) straightedge as the joints are finished and any irregularities in excess of 1/4 inch (6 mm) shall be corrected before the concrete has hardened. All joints shall be so prepared, finished, or cut to provide a groove of uniform width and depth as shown on the plans.

a. Construction. Longitudinal construction joints shall be slip-formed or formed against side forms as shown in the plans.

Transverse construction joints shall be installed at the end of each day's placing operations and at any other points within a paving lane when concrete placement is interrupted for more than 30 minutes or it appears that the concrete will obtain its initial set before fresh concrete arrives. The installation of the joint shall be located at a planned contraction or expansion joint. If placing of the concrete is stopped, the Contractor shall remove the excess concrete back to the previous planned joint.

b. Contraction. Contraction joints shall be installed at the locations and spacing as shown on the plans. Contraction joints shall be installed to the dimensions required by forming a groove or cleft in the top of the slab while the concrete is still plastic or by sawing a groove into the concrete surface after the concrete has hardened. When the groove is formed in plastic concrete the sides of the grooves shall be finished even and smooth with an edging tool. If an insert material is used, the installation and edge finish shall be according to the manufacturer's instructions. The groove shall be finished or cut clean so that spalling will be avoided at intersections with other joints. Grooving or sawing shall produce a slot at least 1/8 inch (3 mm) wide and to the depth shown on the plans.

c. Isolation (expansion). Isolation joints shall be installed as shown on the plans. The premolded filler of the thickness as shown on the plans, shall extend for the full depth and width of the slab at the joint, except for space for sealant at the top of the slab. The filler shall be securely staked or fastened into position perpendicular to the proposed finished surface. A cap shall be provided to protect the top edge of the filler and to permit the concrete to be placed and finished. After the concrete has been placed and struck off, the cap shall be carefully withdrawn leaving the space over the premolded filler. The edges of the joint shall be finished and tooled while the concrete is still plastic. Any concrete bridging the joint space shall be removed for the full width and depth of the joint.

d. Tie bars. Tie bars shall consist of deformed bars installed in joints as shown on the plans. Tie bars shall be placed at right angles to the centerline of the concrete slab and shall be spaced at intervals shown on the plans. They shall be held in position parallel to the pavement surface and in the middle of the slab depth. When tie bars extend into an unpaved lane, they may be bent against the form at longitudinal construction joints, unless threaded bolt or other assembled tie bars are specified. Tie bars shall not be painted, greased, or enclosed in sleeves. When slip-form operations call for tie bars, two-piece hook bolts can be installed.

e. Dowel bars. Dowel bars or other load-transfer units of an approved type shall be placed across joints as shown on the plans. They shall be of the dimensions and spacings as shown and held rigidly in the middle of the slab depth in the proper horizontal and vertical alignment by an approved assembly device to be left permanently in place. The dowel or load-transfer and joint devices shall be rigid enough to permit complete assembly as a unit ready to be lifted and placed into position. The dowels shall be coated with a bond-breaker or other lubricant recommended by the manufacturer and approved by the Engineer.

f. Dowels bars at longitudinal construction joints shall be bonded in drilled holes.

g. Placing dowels and tie bars. The method used in installing and holding dowels in position shall ensure that the error in alignment of any dowel from its required horizontal and vertical alignment after the pavement has been completed will not be greater than 1/8 inch per feet (3 mm per 0.3 m). Except as otherwise specified below, horizontal spacing of dowels shall be within a tolerance of $\pm 5/8$ inch (16 mm). The vertical location on the face of the slab shall be within a tolerance of $\pm 1/2$ inch (12 mm). The vertical alignment of the dowels shall be measured parallel to the designated top surface of the pavement, except for those across the crown or other grade change joints. Dowels across crowns and other joints at grade changes shall be measured to a level surface. Horizontal alignment shall be checked perpendicular to the joint edge. The horizontal alignment shall be checked with a framing square. Dowels and tie bars shall not be placed closer than 0.6 times the dowel bar or tie bar length to the planned joint line. If the last regularly

spaced longitudinal dowel or tie bar is closer than that dimension, it shall be moved away from the joint to a location 0.6 times the dowel bar or tie bar length, but not closer than 6 inches (150 mm) to its nearest neighbor. The portion of each dowel intended to move within the concrete or expansion cap shall be wiped clean and coated with a thin, even film of lubricating oil or light grease before the concrete is placed. Dowels shall be installed as specified in the following subparagraphs.

(1) Contraction joints. Dowels and tie bars in longitudinal and transverse contraction joints within the paving lane shall be held securely in place, as indicated, by means of rigid metal frames or basket assemblies of an approved type. The basket assemblies shall be held securely in the proper location by means of suitable pins or anchors. Do not cut or crimp the dowel basket tie wires. At the Contractor's option, in lieu of the above, dowels and tie bars in contraction joints shall be installed near the front of the paver by insertion into the plastic concrete using approved equipment and procedures. Approval will be based on the results of a preconstruction demonstration, showing that the dowels and tie bars are installed within specified tolerances.

(2) Construction joints. Install dowels and tie bars by the cast-in-place or the drill-and-dowel method. Installation by removing and replacing in preformed holes will not be permitted. Dowels and tie bars shall be prepared and placed across joints where indicated, correctly aligned, and securely held in the proper horizontal and vertical position during placing and finishing operations, by means of devices fastened to the forms. The spacing of dowels and tie bars in construction joints shall be as indicated.

(3) Dowels installed in isolation joints and other hardened concrete. Install dowels for isolation joints and in other hardened concrete by bonding the dowels into holes drilled into the hardened concrete. The concrete shall have cured for seven (7) days or reached a minimum compressive strength of 2500 psi (17 MPa) or a flexural strength of 450 psi (3.1 MPa) before drilling commences. Holes 1/8 inch (3 mm) greater in diameter than the dowels shall be drilled into the hardened concrete using rotary-core drills. Rotary-percussion drills may be used, provided that excessive spalling does not occur to the concrete joint face. Modification of the equipment and operation shall be required if, in the Engineer's opinion, the equipment and/or operation is causing excessive damage. Depth of dowel hole shall be within a tolerance of $\pm 1/2$ inch (12 mm) of the dimension shown on the drawings. On completion of the drilling operation, the dowel hole shall be blown out with oil-free, compressed air. Dowels shall be bonded in the drilled holes using epoxy resin. Epoxy resin shall be injected at the back of the hole before installing the dowel and extruded to the collar during insertion of the dowel so as to completely fill the void around the dowel. Application by buttering the dowel will not be permitted. The dowels shall be held in alignment at the collar of the hole, after insertion and before the grout hardens, by means of a suitable metal or plastic grout retention ring fitted around the dowel. Dowels required to be installed in any joints between new and existing concrete shall be grouted in holes drilled in the existing concrete, all as specified above.

h. Sawing of joints. Joints shall be cut as shown on the plans. Equipment shall be as described in paragraph 501-4.1. The circular cutter shall be capable of cutting a groove in a straight line and shall produce a slot at least 1/8 inch (3 mm) wide and to the depth shown on the plans. The top of the slot shall be widened by sawing to provide adequate space for joint sealers as shown on the plans. Sawing shall commence, without regard to day or night, as soon as the concrete has hardened sufficiently to permit cutting without chipping, spalling, or tearing and before uncontrolled shrinkage cracking of the pavement occurs and shall continue without interruption until all joints have been sawn. The joints shall be sawn at the required spacing. All slurry and debris produced in the sawing of joints shall be removed by vacuuming and washing. Curing compound or system shall be reapplied in the initial sawcut and maintained for the remaining cure period.

501-4.11 Finishing. Finishing operations shall be a continuing part of placing operations starting immediately behind the strike-off of the paver. Initial finishing shall be provided by the transverse screed or extrusion plate. The sequence of operations shall be transverse finishing, longitudinal machine floating if used, straightedge finishing, texturing, and then edging of joints. Finishing shall be by the machine method. The hand method shall be used only on isolated areas of odd slab widths or shapes and in the event of a breakdown of the mechanical finishing equipment. Supplemental hand finishing for machine finished pavement shall be kept to an absolute minimum. Any machine finishing operation which requires appreciable hand finishing, other than a moderate amount of straightedge finishing, shall be immediately stopped and proper adjustments made or the equipment replaced. Any operations which produce more

than 1/8 inch (3 mm) of mortar-rich surface (defined as deficient in plus U.S. No. 4 (4.75 mm) sieve size aggregate) shall be halted immediately and the equipment, mixture, or procedures modified as necessary. Compensation shall be made for surging behind the screeds or extrusion plate and settlement during hardening and care shall be taken to ensure that paving and finishing machines are properly adjusted so that the finished surface of the concrete (not just the cutting edges of the screeds) will be at the required line and grade. Finishing equipment and tools shall be maintained clean and in an approved condition. At no time shall water be added to the surface of the slab with the finishing equipment or tools, or in any other way, except for fog (mist) sprays specified to prevent plastic shrinkage cracking.

a. Machine finishing with slipform pavers. The slipform paver shall be operated so that only a very minimum of additional finishing work is required to produce pavement surfaces and edges meeting the specified tolerances. Any equipment or procedure that fails to meet these specified requirements shall immediately be replaced or modified as necessary. A self-propelled non-rotating pipe float may be used while the concrete is still plastic, to remove minor irregularities and score marks. Only one pass of the pipe float shall be allowed. If there is concrete slurry or fluid paste on the surface that runs over the edge of the pavement, the paving operation shall be immediately stopped and the equipment, mixture, or operation modified to prevent formation of such slurry. Any slurry which does run down the vertical edges shall be immediately removed by hand, using stiff brushes or scrapers. No slurry, concrete or concrete mortar shall be used to build up along the edges of the pavement to compensate for excessive edge slump, either while the concrete is plastic or after it hardens.

b. Machine finishing with fixed forms. The machine shall be designed to straddle the forms and shall be operated to screed and consolidate the concrete. Machines that cause displacement of the forms shall be replaced. The machine shall make only one pass over each area of pavement. If the equipment and procedures do not produce a surface of uniform texture, true to grade, in one pass, the operation shall be immediately stopped and the equipment, mixture, and procedures adjusted as necessary.

c. Other types of finishing equipment. Clary screeds, other rotating tube floats, or bridge deck finishers are not allowed on mainline paving, but may be allowed on irregular or odd-shaped slabs, and near buildings or trench drains, subject to the Engineer's approval.

Bridge deck finishers shall have a minimum operating weight of 7500 pounds (3400 kg) and shall have a transversely operating carriage containing a knock-down auger and a minimum of two immersion vibrators. Vibrating screeds or pans shall be used only for isolated slabs where hand finishing is permitted as specified, and only where specifically approved.

d. Hand finishing. Hand finishing methods will not be permitted, except under the following conditions: (1) in the event of breakdown of the mechanical equipment, hand methods may be used to finish the concrete already deposited on the grade and (2) in areas of narrow widths or of irregular dimensions where operation of the mechanical equipment is impractical. Use hand finishing operations only as specified below.

(1) Equipment and screed. In addition to approved mechanical internal vibrators for consolidating the concrete, provide a strike-off and tamping screed and a longitudinal float for hand finishing. The screed shall be at least one foot (30 cm) longer than the width of pavement being finished, of an approved design, and sufficiently rigid to retain its shape, and shall be constructed of metal or other suitable material shod with metal. The longitudinal float shall be at least 10 feet (3 m) long, of approved design, and rigid and substantially braced, and shall maintain a plane surface on the bottom. Grate tampers (jitterbugs) shall not be used.

(2) Finishing and floating. As soon as placed and vibrated, the concrete shall be struck off and screeded to the crown and cross-section and to such elevation above grade that when consolidated and finished, the surface of the pavement will be at the required elevation. In addition to previously specified complete coverage with handheld immersion vibrators, the entire surface shall be tamped with the strike-off and tamping template, and the tamping operation continued until the required compaction and reduction of internal and surface voids are accomplished. Immediately following the final tamping of the surface, the pavement shall be floated longitudinally from bridges resting on the side forms and spanning but not touching the concrete. If necessary, additional concrete shall be placed, consolidated and screeded, and

the float operated until a satisfactory surface has been produced. The floating operation shall be advanced not more than half the length of the float and then continued over the new and previously floated surfaces.

e. Straightedge testing and surface correction. After the pavement has been struck off and while the concrete is still plastic, it shall be tested for trueness with a Contractor furnished 12-foot (3.7-m) straightedge swung from handles 3 feet (1 m) longer than one-half the width of the slab. The straightedge shall be held in contact with the surface in successive positions parallel to the centerline and the whole area gone over from one side of the slab to the other, as necessary. Advancing shall be in successive stages of not more than one-half the length of the straightedge. Any excess water and laitance in excess of 1/8 inch (3 mm) thick shall be removed from the surface of the pavement and wasted. Any depressions shall be immediately filled with freshly mixed concrete, struck off, consolidated, and refinished. High areas shall be cut down and refinished. Special attention shall be given to assure that the surface across joints meets the smoothness requirements of paragraph 501-5.2e(3). Straightedge testing and surface corrections shall continue until the entire surface is found to be free from observable departures from the straightedge and until the slab conforms to the required grade and cross-section. The use of long-handled wood floats shall be confined to a minimum; they may be used only in emergencies and in areas not accessible to finishing equipment. This straight-edging is not a replacement for the straightedge testing of paragraph 501-5.2e(3), Smoothness.

501-4.12 Surface texture. The surface of the pavement shall be finished with either a brush or broom, burlap drag, or artificial turf finish for all newly constructed concrete pavements. It is important that the texturing equipment not tear or unduly roughen the pavement surface during the operation. Any imperfections resulting from the texturing operation shall be corrected to the satisfaction of the Engineer.

a. Brush or broom finish. If the pavement surface texture is to be a type of brush or broom finish, it shall be applied when the water sheen has practically disappeared. The equipment shall operate transversely across the pavement surface, providing corrugations that are uniform in appearance and approximately 1/16 inch (2 mm) in depth.

b. Burlap drag finish. If a burlap drag is used to texture the pavement surface, it shall be at least 15 ounces per square yard (555 grams per square meter). To obtain a textured surface, the transverse threads of the burlap shall be removed approximately one foot (30 cm) from the trailing edge. A heavy buildup of grout on the burlap threads produces the desired wide sweeping longitudinal striations on the pavement surface. The corrugations shall be uniform in appearance and approximately 1/16 inch (2 mm) in depth.

501-4.13 Curing. Immediately after finishing operations are completed and marring of the concrete will not occur, the entire surface of the newly placed concrete shall be cured for a 7-day cure period in accordance with one of the methods below. Failure to provide sufficient cover material of whatever kind the Contractor may elect to use, or lack of water to adequately take care of both curing and other requirements, shall be cause for immediate suspension of concreting operations. The concrete shall not be left exposed for more than 1/2 hour during the curing period.

When a two-sawcut method is used to construct the contraction joint, the curing compound shall be applied to the sawcut immediately after the initial cut has been made. The sealant reservoir shall not be sawed until after the curing period has been completed. When the one cut method is used to construct the contraction joint, the joint shall be cured with wet rope, wet rags, or wet blankets. The rags, ropes, or blankets shall be kept moist for the duration of the curing period.

a. Impervious membrane method. The entire surface of the pavement shall be sprayed uniformly with white pigmented curing compound immediately after the finishing of the surface and before the set of the concrete has taken place. The curing compound shall not be applied during rainfall. Curing compound shall be applied by mechanical sprayers under pressure at the rate of one gallon (4 liters) to not more than 150 sq ft (14 sq m). The spraying equipment shall be of the fully atomizing type equipped with a tank agitator. At the time of use, the compound shall be in a thoroughly mixed condition with the pigment uniformly dispersed throughout the vehicle. During application the compound shall be stirred continuously by mechanical means. Hand spraying of odd widths or shapes and concrete surfaces exposed by the removal of forms will be permitted. When hand spraying is approved by the Engineer, a double application rate shall be used to ensure coverage. The curing compound shall be of such character that the film will harden within

30 minutes after application. Should the film become damaged from any cause, including sawing operations, within the required curing period, the damaged portions shall be repaired immediately with additional compound or other approved means. Upon removal of side forms, the sides of the exposed slabs shall be protected immediately to provide a curing treatment equal to that provided for the surface. Curing shall be applied immediately after the bleed water is gone from the surface.

b. White burlap-polyethylene sheets. The surface of the pavement shall be entirely covered with the sheeting. The sheeting used shall be such length (or width) that it will extend at least twice the thickness of the pavement beyond the edges of the slab. The sheeting shall be placed so that the entire surface and both edges of the slab are completely covered. The sheeting shall be placed and weighted to remain in contact with the surface covered, and the covering shall be maintained fully saturated and in position for seven (7) days after the concrete has been placed.

c. Water method. Not used.

d. Concrete protection for cold weather. The concrete shall be maintained at an ambient temperature of at least 50°F (10°C) for a period of 72 hours after placing and at a temperature above freezing for the remainder of the curing time. The Contractor shall be responsible for the quality and strength of the concrete placed during cold weather; and any concrete damaged shall be removed and replaced at the Contractor's expense.

e. Concrete protection for hot weather. Concrete should be continuous moisture cured for the entire curing period and shall commence as soon as the surfaces are finished and continue for at least 24 hours. However, if moisture curing is not practical beyond 24 hours, the concrete surface shall be protected from drying with application of a liquid membrane-forming curing compound while the surfaces are still damp. Other curing methods may be approved by the Engineer.

501-4.14 Removing forms. Unless otherwise specified, forms shall not be removed from freshly placed concrete until it has hardened sufficiently to permit removal without chipping, spalling, or tearing. After the forms have been removed, the sides of the slab shall be cured as per the methods indicated in paragraph 501-4.13. Major honeycombed areas shall be considered as defective work and shall be removed and replaced in accordance with paragraph 501-5.2(f).

501-4.15 Saw-cut grooving. If shown on the plans, grooved surfaces shall be provided in accordance with the requirements of Item P-621.

501-4.16 Sealing joints. The joints in the pavement shall be sealed in accordance with Item P-605.

501-4.17 Protection of pavement. The Contractor shall protect the pavement and its appurtenances against both public traffic and traffic caused by the Contractor's employees and agents until accepted by the Engineer. This shall include watchmen to direct traffic and the erection and maintenance of warning signs, lights, pavement bridges, crossovers, and protection of unsealed joints from intrusion of foreign material, etc. Any damage to the pavement occurring prior to final acceptance shall be repaired or the pavement replaced at the Contractor's expense.

Aggregates, rubble, or other similar construction materials shall not be placed on airfield pavements. Traffic shall be excluded from the new pavement by erecting and maintaining barricades and signs until the concrete is at least seven (7) days old, or for a longer period if directed by the Engineer.

In paving intermediate lanes between newly paved pilot lanes, operation of the hauling and paving equipment will be permitted on the new pavement after the pavement has been cured for seven (7) days and the joints have been sealed or otherwise protected, and the concrete has attained a minimum field cured flexural strength of 550 psi (37928 kPa) and approved means are furnished to prevent damage to the slab edge.

All new and existing pavement carrying construction traffic or equipment shall be continuously kept completely clean, and spillage of concrete or other materials shall be cleaned up immediately upon occurrence.

Damaged pavements shall be removed and replaced at the Contractor's expense. Slabs shall be removed to the full depth, width, and length of the slab.

501-4.18 Opening to construction traffic. The pavement shall not be opened to traffic until test specimens molded and cured in accordance with ASTM C31 have attained a flexural strength of 550 lb / square inch (3.8 kPa) when tested in accordance with ASTM C78. If such tests are not conducted, the pavement shall not be opened to traffic until 14 days after the concrete was placed. Prior to opening the pavement to construction traffic, all joints shall either be sealed or protected from damage to the joint edge and intrusion of foreign materials into the joint. As a minimum, backer rod or tape may be used to protect the joints from foreign matter intrusion.

501-4.19 Repair, removal, or replacement of slabs.

a. General. New pavement slabs that are broken or contain cracks or are otherwise defective or unacceptable shall be removed and replaced or repaired, as directed by the Engineer and as specified hereinafter at no cost to the Owner. Spalls along joints shall be repaired as specified. Removal of partial slabs is not permitted. Removal and replacement shall be full depth, shall be full width of the slab, and the limit of removal shall be normal to the paving lane and to each original transverse joint. The Engineer will determine whether cracks extend full depth of the pavement and may require cores to be drilled on the crack to determine depth of cracking. Such cores shall be 4 inch (100 mm) diameter, shall be drilled by the Contractor and shall be filled by the Contractor with a well consolidated concrete mixture bonded to the walls of the hole with epoxy resin, using approved procedures. Drilling of cores and refilling holes shall be at no expense to the Owner. All epoxy resin used in this work shall conform to ASTM C881, Type V. Repair of cracks as described in this section shall not be allowed if in the opinion of the Engineer the overall condition of the pavement indicates that such repair is unlikely to achieve an acceptable and durable finished pavement. No repair of cracks shall be allowed in any panel that demonstrates segregated aggregate with an absence of coarse aggregate in the upper 1/8 inch (3 mm) of the pavement surface.

b. Shrinkage cracks. Shrinkage cracks, which do not exceed 4 inches (100 mm) in depth, shall be cleaned and then pressure injected with epoxy resin, Type IV, Grade 1, using procedures as approved by the Engineer. Care shall be taken to assure that the crack is not widened during epoxy resin injection. All epoxy resin injection shall take place in the presence of the Engineer. Shrinkage cracks, which exceed 4 inches (100 mm) in depth, shall be treated as full depth cracks in accordance with paragraphs 4.19b and 4.19c.

c. Slabs with cracks through interior areas. Interior area is defined as that area more than 6 inches (150 mm) from either adjacent original transverse joint. The full slab shall be removed and replaced at no cost to the Owner, when there are any full depth cracks, or cracks greater than 4 inches (100 mm) in depth, that extend into the interior area.

d. Cracks close to and parallel to joints. All cracks essentially parallel to original joints, extending full depth of the slab, and lying wholly within 6 inches (150 mm) either side of the joint shall be treated as specified here. Any crack extending more than 6 inches (150 mm) from the joint shall be treated as specified above in subparagraph c.

(1) Full depth cracks present, original joint not opened. When the original un-cracked joint has not opened, the crack shall be sawed and sealed, and the original joint filled with epoxy resin as specified below. The crack shall be sawed with equipment specially designed to follow random cracks. The reservoir for joint sealant in the crack shall be formed by sawing to a depth of 3/4 inches (19 mm), $\pm 1/16$ inch (2 mm), and to a width of 5/8 inch (16 mm), $\pm 1/8$ inch (3 mm). Any equipment or procedure which causes raveling or spalling along the crack shall be modified or replaced to prevent such raveling or spalling. The joint sealant shall be a liquid sealant as specified. Installation of joint seal shall be as specified for sealing joints or as directed. If the joint sealant reservoir has been sawed out, the reservoir and as much of the lower saw cut as possible shall be filled with epoxy resin, Type IV, Grade 2, thoroughly tooled into the void using approved procedures.

If only the original narrow saw cut has been made, it shall be cleaned and pressure injected with epoxy resin, Type IV, Grade 1, using approved procedures. If filler type material has been used to form a weakened plane in the transverse joint, it shall be completely sawed out and the saw cut pressure injected with epoxy resin, Type IV, Grade 1, using approved procedures. Where a parallel crack goes part way across paving lane and then intersects and follows the original joint which is cracked only for the remained

of the width, it shall be treated as specified above for a parallel crack, and the cracked original joint shall be prepared and sealed as originally designed.

(2) Full depth cracks present, original joint also cracked. At a joint, if there is any place in the lane width where a parallel crack and a cracked portion of the original joint overlap, the entire slab containing the crack shall be removed and replaced for the full lane width and length.

e. Removal and replacement of full slabs. Where it is necessary to remove full slabs, unless there are dowels present, all edges of the slab shall be cut full depth with a concrete saw. All saw cuts shall be perpendicular to the slab surface. If dowels, or tie bars are present along any edges, these edges shall be sawed full depth just beyond the end of the dowels or tie bars. These joints shall then be carefully sawed on the joint line to within one inch (25 mm) of the depth of the dowel or tie bar.

The main slab shall be further divided by sawing full depth, at appropriate locations, and each piece lifted out and removed. Suitable equipment shall be used to provide a truly vertical lift, and approved safe lifting devices used for attachment to the slabs. The narrow strips along doweled edges shall be carefully broken up and removed using light, hand-held jackhammers, 30 lb (14 kg) or less, or other approved similar equipment.

Care shall be taken to prevent damage to the dowels, tie bars, or to concrete to remain in place. The joint face below dowels shall be suitably trimmed so that there is not abrupt offset in any direction greater than 1/2 inch (12 mm) and no gradual offset greater than one inch (25 mm) when tested in a horizontal direction with a 12-foot (3.7-m) straightedge.

No mechanical impact breakers, other than the above hand-held equipment shall be used for any removal of slabs. If underbreak between 1-1/2 and 4 inches (38 and 100 mm) deep occurs at any point along any edge, the area shall be repaired as directed before replacing the removed slab. Procedures directed will be similar to those specified for surface spalls, modified as necessary.

If underbreak over 4 inches (100 mm) deep occurs, the entire slab containing the underbreak shall be removed and replaced. Where there are no dowels or tie bars, or where they have been damaged, dowels or tie bars of the size and spacing as specified for other joints in similar pavement shall be installed by epoxy grouting them into holes drilled into the existing concrete using procedures as specified. Original damaged dowels or tie bars shall be cut off flush with the joint face. Protruding portions of dowels shall be painted and lightly oiled. All four (4) edges of the new slab shall contain dowels or original tie bars.

Placement of concrete shall be as specified for original construction. Prior to placement of new concrete, the underlying material (unless it is stabilized) shall be re-compacted and shaped as specified in the appropriate section of these specifications. The surfaces of all four joint faces shall be cleaned of all loose material and contaminants and coated with a double application of membrane forming curing compound as bond breaker. Care shall be taken to prevent any curing compound from contacting dowels or tie bars. The resulting joints around the new slab shall be prepared and sealed as specified for original construction.

f. Repairing spalls along joints. Where directed, spalls along joints of new slabs, and along parallel cracks used as replacement joints, shall be repaired by first making a vertical saw cut at least one inch (25 mm) outside the spalled area and to a depth of at least 2 inch (50 mm). Saw cuts shall be straight lines forming rectangular areas. The concrete between the saw cut and the joint, or crack, shall be chipped out to remove all unsound concrete and at least 1/2 inch (12 mm) of visually sound concrete. The cavity thus formed shall be thoroughly cleaned with high-pressure water jets supplemented with compressed air to remove all loose material. Immediately before filling the cavity, a prime coat of epoxy resin, Type III, Grade I, shall be applied to the dry cleaned surface of all sides and bottom of the cavity, except any joint face. The prime coat shall be applied in a thin coating and scrubbed into the surface with a stiff-bristle brush. Pooling of epoxy resin shall be avoided. The cavity shall be filled with low slump Portland cement concrete or mortar or with epoxy resin concrete or mortar. Concrete shall be used for larger spalls, generally those more than 1/2 cu. ft. (0.014 m³) in size, and mortar shall be used for the smaller ones. Any spall less than 0.1 cu. ft. (0.003 m³) shall be repaired only with epoxy resin mortar or a Grade III epoxy resin. Portland cement concrete and mortar mixtures shall be proportioned as directed and shall be mixed, placed, consolidated, and cured as directed. Epoxy resin mortars shall be made with Type III, Grade 1, epoxy resin, using

proportions and mixing and placing procedures as recommended by the manufacturer and approved by the Engineer. The epoxy resin materials shall be placed in the cavity in layers not over 2 inches (50 mm) thick. The time interval between placement of additional layers shall be such that the temperature of the epoxy resin material does not exceed 140°F (60°C) at any time during hardening. Mechanical vibrators and hand tampers shall be used to consolidate the concrete or mortar. Any repair material on the surrounding surfaces of the existing concrete shall be removed before it hardens. Where the spalled area abuts a joint, an insert or other bond-breaking medium shall be used to prevent bond at the joint face. A reservoir for the joint sealant shall be sawed to the dimensions required for other joints, or as required to be routed for cracks. The reservoir shall be thoroughly cleaned and sealed with the sealer specified for the joints. If any spall penetrates half the depth of the slab or more, the entire slab shall be removed and replaced as previously specified. If any spall would require over 25% of the length of any single joint to be repaired, the entire slab shall be removed and replaced. Repair of spalls as described in this section shall not be allowed if in the opinion of the Engineer the overall condition of the pavement indicates that such repair is unlikely to achieve an acceptable and durable finished pavement. No repair of spalls shall be allowed in any panel that demonstrates segregated aggregate with a significant absence of coarse aggregate in the upper one-eighth (1/8th) inch of the pavement surface.

g. Diamond grinding of PCC surfaces. Diamond grinding of the hardened concrete with an approved diamond grinding machine should not be performed until the concrete is 14 days or more old and concrete has reached full minimum strength. When required, diamond grinding shall be accomplished by sawing with saw blades impregnated with industrial diamond abrasive. The saw blades shall be assembled in a cutting head mounted on a machine designed specifically for diamond grinding that will produce the required texture and smoothness level without damage to the pavement. The saw blades shall be 1/8-inch (3-mm) wide and there shall be a minimum of 55 to 60 blades per 12 inches (300 mm) of cutting head width; the actual number of blades will be determined by the Contractor and depend on the hardness of the aggregate. Each machine shall be capable of cutting a path at least 3 feet (0.9 m) wide. Equipment that causes raveling, aggregate fractures, spalls or disturbance to the joints will not be permitted. The area corrected by diamond grinding the surface of the hardened concrete should not exceed 10% of the total area of any subplot. The depth of diamond grinding shall not exceed 1/2 inch (13 mm) and all areas in which diamond grinding has been performed will be subject to the final pavement thickness tolerances specified. Grinding will be tapered in all directions to provide smooth transitions to areas not requiring grinding. All pavement areas requiring plan grade or surface smoothness corrections in excess of the limits specified above, may require removing and replacing in conformance with paragraph 501-4.19.

501-4.20 Existing concrete pavement removal and repair.

All operations shall be carefully controlled to prevent damage to the concrete pavement and to the underlying material to remain in place. All saw cuts shall be made perpendicular to the slab surface.

a. Removal of existing pavement slab.

When it is necessary to remove existing concrete pavement and leave adjacent concrete in place, the joint between the removal area and adjoining pavement to stay in place shall first be cut full depth with a standard diamond-type concrete saw. Next, a full depth saw cut shall be made parallel to the joint at least 24 inches (600 mm) from the joint and at least 12 inches (300 mm) from the end of any dowels. All pavement between this last saw cut and the joint line shall be carefully broken up and removed using hand-held jackhammers, 30 lb (14 kg) or less, or the approved light-duty equipment which will not cause stress to propagate across the joint saw cut and cause distress in the pavement which is to remain in place. Dowels of the size and spacing indicated shall be installed as shown on the drawings by epoxy resin bonding them in holes drilled in the joint face as specified in paragraph 501-4.10g. The joint face shall be sawed or otherwise trimmed so that there is no abrupt offset in any direction greater than 1/2 inches (12 mm) and no gradual offset greater than one inch (25 mm) when tested in a horizontal direction with a 12-foot (3.7-m) straightedge.

b. Edge repair.

The edge of existing concrete pavement against which new pavement abuts shall be protected from damage at all times. Areas that are damaged during construction shall be repaired at no cost to the Owner.

(1) Spall repair. Spalls shall be repaired where indicated and where directed by the Engineer. Repair materials and procedures shall be as previously specified in subparagraph 501-4.19f.

(2) Underbreak repair. All underbreak shall be repaired. First, all delaminated and loose material shall be carefully removed. Next, the underlying material shall be recompacted, without addition of any new material. Finally, the void shall be completely filled with paving concrete, thoroughly consolidated. Care shall be taken to produce an even joint face from top to bottom. Prior to placing concrete, the underlying material shall be thoroughly moistened. After placement, the exposed surface shall be heavily coated with curing compound.

(3) Underlying material. The underlying material adjacent to the edge and under the existing pavement which is to remain in place shall be protected from damage or disturbance during removal operations and until placement of new concrete, and shall be shaped as shown on the drawings or as directed. Sufficient material shall be kept in place outside the joint line to prevent disturbance (or sloughing) of material under the pavement that is to remain in place. Any material under the portion of the concrete pavement to remain in place, which is disturbed or loses its compaction shall be carefully removed and replaced with concrete as specified in paragraph 501-4.20b(2). The underlying material outside the joint line shall be thoroughly compacted and moist when new concrete is placed.

MATERIAL ACCEPTANCE

501-5.1 Acceptance sampling and testing. All acceptance sampling and testing necessary to determine conformance with the requirements specified in this section, with the exception of coring for thickness determination, will be performed by the Engineer at no cost to the Contractor. The Contractor shall bear the cost of providing curing facilities for the strength specimens, per paragraph 501-5.1a(3), and coring and filling operations, per paragraph 501-5.1b(1). Testing organizations performing these tests shall be accredited in accordance with ASTM C1077. The laboratory accreditation must be current and listed on the accrediting authority's website. All test methods required for acceptance sampling and testing must be listed on the lab accreditation. A copy of the laboratory's current accreditation and accredited test methods shall be submitted to the Engineer prior to start of construction.

Concrete shall be accepted for strength and thickness on a lot basis.

A lot shall consist of a day's production not to exceed 8,000 square yards.

a. Flexural strength.

(1) Sampling. Each lot shall be divided into four equal sublots. One sample shall be taken for each subplot from the plastic concrete delivered to the job site. Sampling locations shall be determined by the Engineer in accordance with random sampling procedures contained in ASTM D3665. The concrete shall be sampled in accordance with ASTM C172.

(2) Testing. Two (2) specimens shall be made from each sample. Specimens shall be made in accordance with ASTM C31 and the flexural strength of each specimen shall be determined in accordance with ASTM C78. The flexural strength for each subplot shall be computed by averaging the results of the two test specimens representing that subplot.

Immediately prior to testing for flexural strength, the beam shall be weighed and measured for determination of a sample unit weight. Measurements shall be made for each dimension; height, depth, and length, at the mid-point of the specimen and reported to the nearest 1/10 inch (3 mm). The weight of the specimen shall be reported to the nearest 0.1 pound (45 gm). The sample unit weight shall be calculated by dividing the sample weight by the calculated volume of the sample. This information shall be reported as companion information to the measured flexural strength for each specimen.

The samples will be transported while in the molds. The curing, except for the initial cure period, will be accomplished using the immersion in saturated lime water method.

Slump, air content, and temperature tests will also be conducted by the quality assurance laboratory for each set of strength test samples, per ASTM C31.

(3) Curing. The Contractor shall provide adequate facilities for the initial curing of beams. During the 24 hours after molding, the temperature immediately adjacent to the specimens must be maintained in the range of 60° to 80°F (16° to 27°C), and loss of moisture from the specimens must be prevented. The specimens may be stored in tightly constructed wooden boxes, damp sand pits, temporary buildings at construction sites, under wet burlap in favorable weather, or in heavyweight closed plastic bags, or using other suitable methods, provided the temperature and moisture loss requirements are met.

(4) Acceptance. Acceptance of pavement for flexural strength will be determined by the Engineer in accordance with paragraph 501-5.2b.

b. Pavement thickness.

(1) Sampling. Each lot shall be divided into four equal sublots and one core shall be taken by the Contractor for each sublot. Sampling locations shall be determined by the Engineer in accordance with random sampling procedures contained in ASTM D3665. Areas, such as thickened edges, with planned variable thickness, shall be excluded from sample locations.

Cores shall be neatly cut with a core drill. The Contractor shall furnish all tools, labor, and materials for cutting samples and filling the cored hole. Core holes shall be filled by the Contractor with a non-shrink grout approved by the Engineer within one day after sampling.

(2) Testing. The thickness of the cores shall be determined by the Engineer by the average caliper measurement in accordance with ASTM C174.

(3) Acceptance. Acceptance of pavement for thickness shall be determined by the Engineer in accordance with paragraph 501-5.2c.

c. Partial lots. When operational conditions cause a lot to be terminated before the specified number of tests have been made for the lot, or when the Contractor and Engineer agree in writing to allow overages or minor placements to be considered as partial lots, the following procedure will be used to adjust the lot size and the number of tests for the lot.

Where three sublots have been produced, they shall constitute a lot. Where one or two sublots have been produced, they shall be incorporated into the next lot or the previous lot and the total number of sublots shall be used in the acceptance criteria calculation, that is, $n=5$ or $n=6$.

d. Outliers. All individual flexural strength tests within a lot shall be checked for an outlier (test criterion) in accordance with ASTM E178, at a significance level of 5%. Outliers shall be discarded, and the percentage of material within specification limits (PWL) shall be determined using the remaining test values.

501-5.2 Acceptance criteria.

a. General. Acceptance will be based on the following characteristics of the completed pavement discussed in paragraph 501-5.2e:

- (1) Flexural strength**
- (2) Thickness**
- (3) Smoothness**
- (4) Grade**
- (5) Edge slump**

Flexural strength and thickness shall be evaluated for acceptance on a lot basis using the method of estimating PWL. Acceptance using PWL considers the variability (standard deviation) of the material and the testing procedures, as well as the average (mean) value of the test results to calculate the percentage of material that is above the lower specification tolerance limit (L).

Acceptance for flexural strength will be based on the criteria contained in accordance with paragraph 501-5.2e(1). Acceptance for thickness will be based on the criteria contained in paragraph 501-5.2e(2). Acceptance for smoothness will be based on the criteria contained in paragraph 501-5.2e(3). Acceptance for grade will be based on the criteria contained in paragraph 501-5.2e(4).

The Engineer may at any time, notwithstanding previous plant acceptance, reject and require the Contractor to dispose of any batch of concrete mixture which is rendered unfit for use due to contamination, segregation, or improper slump. Such rejection may be based on only visual inspection. In the event of such rejection, the Contractor may take a representative sample of the rejected material in the presence of the Engineer, and if it can be demonstrated in the laboratory, in the presence of the Engineer, that such material was erroneously rejected, payment will be made for the material at the contract unit price.

b. Flexural strength. Acceptance of each lot of in-place pavement for flexural strength shall be based on PWL. The Contractor shall target production quality to achieve 90 PWL or higher.

c. Pavement thickness. Acceptance of each lot of in-place pavement shall be based on PWL. The Contractor shall target production quality to achieve 90 PWL or higher.

d. Percentage of material within limits (PWL). The PWL shall be determined in accordance with procedures specified in Section 110 of the General Provisions.

The lower specification tolerance limit (L) for flexural strength and thickness shall be:

Lower Specification Tolerance Limit (L)

Flexural Strength	0.93 × strength specified in paragraph 501-3.1
Thickness	Lot Plan Thickness in inches, - 0.50 in

e. Acceptance criteria.

(1) Flexural Strength. If the PWL of the lot equals or exceeds 90%, the lot shall be acceptable. Acceptance and payment for the lot shall be determined in accordance with paragraph 501-8.1.

(2) Thickness. If the PWL of the lot equals or exceeds 90%, the lot shall be acceptable. Acceptance and payment for the lot shall be determined in accordance with paragraph 501-8.1.

(3) Smoothness. As soon as the concrete has hardened sufficiently, but not later than 48 hours after placement, the surface of each lot shall be tested in both longitudinal and transverse directions for smoothness to reveal all surface irregularities exceeding the tolerances specified. The Contractor shall furnish paving equipment and employ methods that produce a surface for each section of pavement having an average profile index meeting the requirements of paragraph 501-8.1c when evaluated with a profilograph; and the finished surface of the pavement shall not vary more than 1/4 inch (6mm) when evaluated with a 12-foot (3.7m) straightedge. When the surface smoothness exceeds specification tolerances which cannot be corrected by diamond grinding of the pavement, full depth removal and replacement of pavement shall be to the limit of the longitudinal placement. Corrections involving diamond grinding will be subject to the final pavement thickness tolerances specified.

(a) Transverse measurements. Transverse measurements will be taken for each lot placed. Transverse measurements will be taken perpendicular to the pavement centerline each 50 feet (15m) or more often as determined by the Engineer.

(i) Testing shall be continuous across all joints, starting with one-half the length of the straight edge at the edge of pavement section being tested and then moved ahead one-half the length of the straight edge for each successive measurement. Smoothness readings will not be made across grade changes or cross slope transitions; at these transition areas, the straightedge position shall be adjusted to measure surface smoothness and not design grade or cross slope transitions. The amount of surface irregularity shall be determined by placing the freestanding (unleveled) straightedge on the pavement surface and allowing it to rest upon the two highest spots covered by its length, and measuring the maximum gap between the straightedge and the pavement surface in the area between these two high points. Deviations on final pavement > 1/4 inch (6mm) in transverse direction shall be corrected with diamond grinding per paragraph 501-4.19g or by removing and replacing full depth of pavement. Grinding will be tapered in all directions to provide smooth transitions to areas not requiring grinding. The area corrected by grinding should not exceed 10% of the total area and these areas shall be retested after grinding.

(ii) The joint between lots shall be tested separately to facilitate smoothness between lots. The amount of surface irregularity shall be determined by placing the freestanding (unleveled) straightedge

on the pavement surface, with half the straightedge on one side of the joint and the other half of the straightedge on the other side of the joint. Measure the maximum gap between the straightedge and the pavement surface in the area between these two high points. One measurement shall be taken at the joint every 50 feet (15m) or more often if directed by the Engineer. Maximum gap on final pavement surface > 1/4 inch (6mm) in transverse direction shall be corrected with diamond grinding per paragraph 501-4.19g or by removing and replacing full depth of surface. Each measurement shall be recorded and a copy of the data shall be furnished to the Engineer at the end of each days testing.

(b) Longitudinal measurements. Longitudinal measurements will be taken for each lot placed. Longitudinal tests will be parallel to the centerline of paving; at the center of paving lanes when widths of paving lanes are less than 20 feet (6m); and at the one third points of paving lanes when widths of paving lanes are 20 ft (6m) or greater.

(i) Longitudinal Short Sections. Longitudinal Short Sections are when the longitudinal lot length is less than 200 feet (60m) and areas not requiring a profilograph. When approved by the Engineer, the first and last 15 feet (4.5m) of the lot can also be considered as short sections for smoothness. The finished surface shall not vary more than 1/4 inch (6mm) when evaluated with a 12-foot (3.7m) straightedge. Smoothness readings will not be made across grade changes or cross slope transitions, at these transition areas, the straightedge position shall be adjusted to measure surface smoothness and not design grade or cross slope transitions. Testing shall be continuous across all joints, starting with one-half the length of the straight edge at the edge of pavement section being tested and then moved ahead one-half the length of the straight edge for each successive measurement. The amount of surface irregularity shall be determined by placing the freestanding (unleveled) straightedge on the pavement surface and allowing it to rest upon the two highest spots covered by its length, and measuring the maximum gap between the straightedge and the pavement surface in the area between these two high points. Deviations on final pavement surface > 1/4 inch (6mm) in longitudinal direction will be corrected with diamond grinding per paragraph 501-4.19g or by removing and replacing full depth of surface. Grinding will be tapered in all directions to provide smooth transitions to areas not requiring grinding. The area corrected by grinding should not exceed 10% of the total area and these areas shall be retested after grinding.

(ii) Profilograph Testing. Profilograph testing shall be performed by the contractor using approved equipment and procedures as described as ASTM E1274. The equipment shall utilize electronic recording and automatic computerized reduction of data to indicate "must grind" bumps and the Profile Index for the pavement using a 0.2 inch (5 mm) blanking band. The bump template must span one inch (25 mm) with an offset of 0.4 inches (10 mm). The profilograph must be calibrated prior to use and operated by a factory or State DOT approved operator. Profilograms shall be recorded on a longitudinal scale of one inch (25 mm) equals 25 feet (7.5 m) and a vertical scale of one inch (25 mm) equals one inch (25 mm). A copy of the reduced tapes shall be furnished to the Engineer at the end of each days testing.

The pavement must have an average profile index meeting the requirements of paragraph 501-8.1c. Deviations on final surface in longitudinal direction shall be corrected with diamond grinding per paragraph 501-4.19g or by removing and replacing full depth of pavement. Grinding will be tapered in all directions to provide smooth transitions to areas not requiring grinding. The area corrected by grinding should not exceed 10% of the total area and these areas shall be retested after grinding.

Where corrections are necessary, second profilograph runs shall be performed to verify that the corrections produced an average profile index of 15 inches (38 cm) per mile or less. If the initial average profile index was less than 15 inches (38 cm), only those areas representing greater than 0.4 inch (10 mm) deviation will be re-profiled for correction verification.

(iii) Final profilograph of runway (not applicable). Final profilograph, full length of runway, shall be performed to facilitate testing of smoothness between lots. Profilograph testing shall be performed by the contractor using approved equipment and procedures as described as ASTM E1274. The pavement must have an average profile index meeting the requirements of paragraph 501-8.1c. The equipment shall utilize electronic recording and automatic computerized reduction of data to indicate "must grind" bumps and the Profile Index for the pavement using a 0.2 inch (5 mm) blanking band. The bump template must span one inch (25 mm) with an offset of 0.4 inches (10 mm). The profilograph must be calibrated prior to use and operated by a factory or State DOT approved, trained operator. Profilograms shall be recorded on a longitudinal scale of one inch (25 mm) equals 25 feet (7.5 m) and a vertical scale of one inch (25 mm)

equals one inch (25 mm). A copy of the reduced tapes shall be furnished to the Engineer at the end of each days testing. Profilograph of final runway shall be performed one foot right and left of runway centerline and 15 feet right and left of centerline. Any areas that indicate "must grind" will be corrected as directed by the Engineer.

Smoothness testing indicated in the above paragraphs except paragraph (iii) shall be performed within 48 hours of placement of material. Smoothness texting indicated in paragraph (iii) shall be performed within 48 hours final paving completion. The primary purpose of smoothness testing is to identify areas that may be prone to ponding of water which could lead to hydroplaning of aircraft. If the contractor's machines and/or methods are producing significant areas that need corrective actions then production should be stopped until corrective measures can be implemented. If corrective measures are not implemented and when directed by the Engineer, production shall be stopped until corrective measures can be implemented.

(4) Grade. An evaluation of the surface grade shall be made by the Engineer for compliance to the tolerances contained below. The finish grade will be determined by running levels at intervals of 50 feet (15 m) or less longitudinally and all breaks in grade transversely (not to exceed 50 feet (15 m)) to determine the elevation of the completed pavement. The Contractor shall pay the costs of surveying the level runs, and this work shall be performed by a licensed surveyor. The documentation, stamped and signed by a licensed surveyor, shall be provided by the Contractor to the Engineer.

(a) Lateral deviation. Lateral deviation from established alignment of the pavement edge shall not exceed ± 0.10 feet (3 mm) in any lane.

(b) Vertical deviation. Vertical deviation from established grade shall not exceed ± 0.04 feet (12 mm) at any point.

(5) Edge slump. When excessive edge slump cannot be corrected before the concrete has hardened, the area with excessive edge slump shall be removed and replaced at the expense of the Contractor as directed by the Engineer in accordance with paragraph 501-4.8a.

f. Removal and replacement of concrete. Any area or section of concrete that is removed and replaced shall be removed and replaced back to planned joints. The Contractor shall replace damaged dowels and the requirements for doweled longitudinal construction joints in paragraph 501-4.10 shall apply to all contraction joints exposed by concrete removal. Removal and replacement shall be in accordance with paragraph 501-4.20.

CONTRACTOR QUALITY CONTROL

501-6.1 Quality control program. The Contractor shall develop a Quality Control Program in accordance with Section 100 of the General Provisions. The program shall address all elements that affect the quality of the pavement including but not limited to:

- a. Mix Design
- b. Aggregate Gradation
- c. Quality of Materials
- d. Stockpile Management
- e. Proportioning
- f. Mixing and Transportation
- g. Placing and Consolidation
- h. Joints
- i. Dowel Placement and Alignment
- j. Flexural or Compressive Strength

k. Finishing and Curing

l. Surface Smoothness

501-6.2 Quality control testing. The Contractor shall perform all quality control tests necessary to control the production and construction processes applicable to this specification and as set forth in the Quality Control Program. The testing program shall include, but not necessarily be limited to, tests for aggregate gradation, aggregate moisture content, slump, and air content.

A Quality Control Testing Plan shall be developed as part of the Quality Control Program.

a. Fine aggregate.

(1) Gradation. A sieve analysis shall be made at least twice daily in accordance with ASTM C136 from randomly sampled material taken from the discharge gate of storage bins or from the conveyor belt.

(2) Moisture content. If an electric moisture meter is used, at least two direct measurements of moisture content shall be made per week to check the calibration. If direct measurements are made in lieu of using an electric meter, two tests shall be made per day. Tests shall be made in accordance with ASTM C70 or ASTM C566.

b. Coarse Aggregate.

(1) Gradation. A sieve analysis shall be made at least twice daily for each size of aggregate. Tests shall be made in accordance with ASTM C136 from randomly sampled material taken from the discharge gate of storage bins or from the conveyor belt.

(2) Moisture content. If an electric moisture meter is used, at least two direct measurements of moisture content shall be made per week to check the calibration. If direct measurements are made in lieu of using an electric meter, two tests shall be made per day. Tests shall be made in accordance with ASTM C566.

c. Slump. Four slump tests shall be performed for each lot of material produced in accordance with the lot size defined in paragraph 501-5.1. One test shall be made for each subplot. Slump tests shall be performed in accordance with ASTM C143 from material randomly sampled from material discharged from trucks at the paving site. Material samples shall be taken in accordance with ASTM C172.

d. Air content. Four air content tests, shall be performed for each lot of material produced in accordance with the lot size defined in paragraph 501-5.1. One test shall be made for each subplot. Air content tests shall be performed in accordance with ASTM C231 for gravel and stone coarse aggregate and ASTM C173 for slag or other porous coarse aggregate, from material randomly sampled from trucks at the paving site. Material samples shall be taken in accordance with ASTM C172.

e. Four unit weight and yield tests shall be made in accordance with ASTM C138. The samples shall be taken in accordance with ASTM C172 and at the same time as the air content tests.

501-6.3 Control charts. The Contractor shall maintain linear control charts for fine and coarse aggregate gradation, slump, moisture content and air content.

Control charts shall be posted in a location satisfactory to the Engineer and shall be kept up to date at all times. As a minimum, the control charts shall identify the project number, the contract item number, the test number, each test parameter, the Action and suspension Limits, or Specification limits, applicable to each test parameter, and the Contractor's test results. The Contractor shall use the control charts as part of a process control system for identifying potential problems and assignable causes before they occur. If the Contractor's projected data during production indicates a potential problem and the Contractor is not taking satisfactory corrective action, the Engineer may halt production or acceptance of the material.

a. Fine and coarse aggregate gradation. The Contractor shall record the running average of the last five gradation tests for each control sieve on linear control charts. Specification limits contained in the Lower Specification Tolerance Limit (L) table above and the Control Chart Limits table below shall be superimposed on the Control Chart for job control.

b. Slump and air content. The Contractor shall maintain linear control charts both for individual measurements and range (that is, difference between highest and lowest measurements) for slump and air content in accordance with the following Action and Suspension Limits.

Control Chart Limits

Control Parameter	Individual Measurements		Range Suspension Limit
	Action Limit	Suspension Limit	
Slip Form:			
Slump	+0 to -1 inch (0-25 mm)	+0.5 to -1.5 inch (13-38 mm)	±1.5 inch (38 mm)
Air Content	±1.2%	±1.8%	±2.5%
Side Form:			
Slump	+0.5 to -1 inch (13-25 mm)	+1 to -1.5 inch (25-38 mm)	±1.5 inch (38 mm)
Air Content	±1.2%	±1.8%	±2.5%

The individual measurement control charts shall use the mix design target values as indicators of central tendency.

501-6.4 Corrective action. The Contractor Quality Control Program shall indicate that appropriate action shall be taken when the process is believed to be out of control. The Contractor Quality Control Program shall detail what action will be taken to bring the process into control and shall contain sets of rules to gauge when a process is out of control. As a minimum, a process shall be deemed out of control and corrective action taken if any one of the following conditions exists.

a. Fine and coarse aggregate gradation. When two consecutive averages of five tests are outside of the specification limits in paragraph 501-2.1, immediate steps, including a halt to production, shall be taken to correct the grading.

b. Fine and coarse aggregate moisture content. Whenever the moisture content of the fine or coarse aggregate changes by more than 0.5%, the scale settings for the aggregate batcher and water batcher shall be adjusted.

c. Slump. The Contractor shall halt production and make appropriate adjustments whenever:

- (1) one point falls outside the Suspension Limit line for individual measurements or range
OR
- (2) two points in a row fall outside the Action Limit line for individual measurements.

d. Air content. The Contractor shall halt production and adjust the amount of air-entraining admixture whenever:

- (1) one point falls outside the Suspension Limit line for individual measurements or range
OR
- (2) two points in a row fall outside the Action Limit line for individual measurements.

Whenever a point falls outside the Action Limits line, the air-entraining admixture dispenser shall be calibrated to ensure that it is operating correctly and with good reproducibility.

METHOD OF MEASUREMENT

501-7.1 Portland cement concrete pavement shall be measured by the number of square yards of either plain or reinforced pavement as specified in-place, completed and accepted.

BASIS OF PAYMENT

501-8.1 Payment. Payment for concrete pavement meeting all acceptance criteria as specified in paragraph 501-5.2 Acceptance Criteria shall be based on results of smoothness, strength and thickness tests. Payment for acceptable lots of concrete pavement shall be adjusted in accordance with paragraph 501-8.1a for strength and thickness and 501-8.1c for smoothness, subject to the limitation that:

The total project payment for concrete pavement shall not exceed 100 percent of the product of the contract unit price and the total number of square yards of concrete pavement used in the accepted work (See Note 1 under the Price Adjustment Schedule table below).

Payment shall be full compensation for all labor, materials, tools, equipment, and incidentals required to complete the work as specified herein and on the drawings.

a. Basis of adjusted payment. The pay factor for each individual lot shall be calculated in accordance with the Price Adjustment Schedule table below. A pay factor shall be calculated for both flexural strength and thickness. The lot pay factor shall be the higher of the two values when calculations for both flexural strength and thickness are 100% or higher. The lot pay factor shall be the product of the two values when only one of the calculations for either flexural strength or thickness is 100% or higher. The lot pay factor shall be the lower of the two values when calculations for both flexural strength and thickness are less than 100%.

Price Adjustment Schedule¹

Percentage of Materials Within Specification Limits (PWL)	Lot Pay Factor (Percent of Contract Unit Price)
96 – 100	106
90 – 95	PWL + 10
75 – 90	0.5 PWL + 55
55 – 74	1.4 PWL – 12
Below 55	Reject ²

¹ Although it is theoretically possible to achieve a pay factor of 106% for each lot, actual payment in excess of 100% shall be subject to the total project payment limitation specified in paragraph 501-8.1.

² The lot shall be removed and replaced. However, the Engineer may decide to allow the rejected lot to remain. In that case, if the Engineer and Contractor agree in writing that the lot shall not be removed, it shall be paid for at 50% of the contract unit price and the total project payment limitation shall be reduced by the amount withheld for the rejected lot.

For each lot accepted, the adjusted contract unit price shall be the product of the lot pay factor for the lot and the contract unit price. Payment shall be subject to the total project payment limitation specified in paragraph 501-8.1. Payment in excess of 100% for accepted lots of concrete pavement shall be used to offset payment for accepted lots of concrete pavement that achieve a lot pay factor less than 100%.

b. Payment. Payment shall be made under:

ITEM AR501509 9" PCC PAVEMENT – PER SQUARE YARD.

ITEM AR501900 REMOVE PCC PAVEMENT – PER SQUARE YARD.

c. Basis of adjusted payment for smoothness. Price adjustment for pavement smoothness will apply to the total area of concrete within a section of pavement and shall be applied in accordance the following equation and schedule:

(Square yard in section) × (original unit price per square yard) × PFM = reduction in payment for area within section

Average Profile Index (Inches Per Mile) Pavement Strength Rating		Contract Unit Price Adjustment (PFM)
Over 30,000 lb	Short Sections	
0 - 7	0 - 15	0.00
7.1 - 9	15.1 - 16	0.02
9.1 - 11	16.1 - 17	0.04
11.1 - 13	17.1 - 18	0.06
13.1 - 14	18.1 - 20	0.08
14.1 - 15	20.1 - 22	0.10
15.1 and up	22.1 and up	Corrective work required

TESTING REQUIREMENTS

ASTM C31	Standard Practice for Making and Curing Concrete Test Specimens in the Field
ASTM C39	Standard Test Method for Compressive Strength of Cylindrical Concrete Specimens
ASTM C70	Standard Test Method for Surface Moisture in Fine Aggregate
ASTM C78	Standard Test Method for Flexural Strength of Concrete (Using Simple Beam with Third-Point Loading)
ASTM C88	Standard Test Method for Soundness of Aggregates by Use of Sodium Sulfate or Magnesium Sulfate
ASTM C117	Standard Test Method for Materials Finer Than 75-µm (No. 200) Sieve in Mineral Aggregates by Washing
ASTM C131	Standard Test Method for Resistance to Degradation of Small-Size Coarse Aggregate by Abrasion and Impact in the Los Angeles Machine
ASTM C136	Standard Test Method for Sieve or Screen Analysis of Fine and Coarse Aggregates
ASTM C138	Standard Test Method for Density (Unit Weight), Yield, and Air Content (Gravimetric) of Concrete
ASTM C142	Standard Test Method for Clay Lumps and Friable Particles in Aggregates
ASTM C143	Standard Test Method for Slump of Hydraulic-Cement Concrete

ASTM C172	Standard Practice for Sampling Freshly Mixed Concrete
ASTM C173	Standard Test Method for Air Content of Freshly Mixed Concrete by the Volumetric Method
ASTM C174	Standard Test Method for Measuring Thickness of Concrete Elements Using Drilled Concrete Cores
ASTM C227	Standard Test Method for Potential Alkali Reactivity of Cement-Aggregate Combinations (Mortar-Bar Method)
ASTM C231	Standard Test Method for Air Content of Freshly Mixed Concrete by the Pressure Method
ASTM C289	Standard Test Method for Potential Alkali-Silica Reactivity of Aggregates (Chemical Method)
ASTM C295	Standard Guide for Petrographic Examination of Aggregates for Concrete
ASTM C114	Standard Test Methods for Chemical Analysis of Hydraulic Cement
ASTM C311	Standard Test Methods for Sampling and Testing Fly Ash or Natural Pozzolans for Use in Portland Cement Concrete
ASTM C566	Standard Test Method for Total Evaporable Moisture Content of Aggregates by Drying
ASTM C642	Standard Test Method for Density, Absorption, and Voids in Hardened Concrete
ASTM C666	Standard Test Method for Resistance of Concrete to Rapid Freezing and Thawing
ASTM C1077	Standard Practice for Agencies Testing Concrete and Concrete Aggregates for Use in Construction and Criteria for Testing Agency Evaluation
ASTM C1260	Standard Test Method for Potential Alkali Reactivity of Aggregates (Mortar-Bar Method)
ASTM C1567	Standard Test Method for Determining the Potential Alkali-Silica Reactivity of Combinations of Cementitious Materials and Aggregate (Accelerated Mortar-Bar Method)
ASTM C1602	Standard Specification for Mixing Water Used in the Production of Hydraulic Cement Concrete
ASTM D3665	Standard Practice for Random Sampling of Construction Materials
ASTM D4791	Standard Test Method for Flat Particles, Elongated Particles, or Flat and Elongated Particles in Coarse Aggregate
ASTM E178	Standard Practice for Dealing With Outlying Observations
ASTM E1274	Standard Test Method for Measuring Pavement Roughness Using a Profilograph
U.S. Army Corps of Engineers (USACE) Concrete Research Division (CRD) C662	Determining the Potential Alkali-Silica Reactivity of Combinations of Cementitious Materials, Lithium Nitrate Admixture and Aggregate (Accelerated Mortar-Bar Method)

MATERIAL REQUIREMENTS

ASTM A184	Standard Specification for Welded Deformed Steel Bar Mats for Concrete Reinforcement
ASTM A615	Standard Specification for Deformed and Plain Carbon-Steel Bars for Concrete Reinforcement
ASTM A704	Standard Specification for Welded Steel Plain Bar or Rod Mats for Concrete Reinforcement
ASTM A706	Standard Specification for Low-Alloy Steel Deformed and Plain Bars for Concrete Reinforcement
ASTM A714	Standard Specification for High-Strength Low-Alloy Welded and Seamless Steel Pipe
ASTM A775	Standard Specification for Epoxy-Coated Steel Reinforcing Bars
ASTM A934	Standard Specification for Epoxy-Coated Prefabricated Steel Reinforcing Bars
ASTM A996	Standard Specification for Rail-Steel and Axle-Steel Deformed Bars for Concrete Reinforcement
ASTM A1064	Standard Specification for Carbon-Steel Wire and Welded Wire Reinforcement, Plain and Deformed, for Concrete
ASTM A1078	Standard Specification for Epoxy-Coated Steel Dowels for Concrete Pavement
ASTM C33	Standard Specification for Concrete Aggregates
ASTM C94	Standard Specification for Ready-Mixed Concrete
ASTM C150	Standard Specification for Portland Cement
ASTM C171	Standard Specification for Sheet Materials for Curing Concrete
ASTM C260	Standard Specification for Air-Entraining Admixtures for Concrete
ASTM C309	Standard Specification for Liquid Membrane-Forming Compounds for Curing Concrete
ASTM C494	Standard Specification for Chemical Admixtures for Concrete
ASTM C595	Standard Specification for Blended Hydraulic Cements
ASTM C618	Standard Specification for Coal Fly Ash and Raw or Calcined Natural Pozzolan for Use in Concrete
ASTM C881	Standard Specification for Epoxy-Resin-Base Bonding Systems for Concrete
ASTM C989	Standard Specification for Slag Cement for Use in Concrete and Mortars
ASTM D1751	Standard Specification for Preformed Expansion Joint Filler for Concrete Paving and Structural Construction (Nonextruding and Resilient Bituminous Types)
ASTM D1752	Standard Specification for Preformed Sponge Rubber and Cork and Recycled PVC Expansion Joint Fillers for Concrete Paving And Structural Construction
ACI 211.1	Standard Practice for Selecting Proportions for Normal, Heavyweight, and Mass Concrete
ACI 305R	Guide to Hot Weather Concreting
ACI 306R	Guide to Cold Weather Concreting

ACI 309R	Guide for Consolidation of Concrete
AC 150/5320-6	Airport Pavement Design and Evaluation
PCA	Design and Control of Concrete Mixtures

END ITEM P-501

DELETE: Item 605 Joint Sealing Filler from the Illinois Standard Specifications for Construction of Airports (Adopted April 1, 2012)

ADD: The following Item P-605 – Joint Sealants for Concrete Pavement specification:

NOTE: This specification is from Federal Aviation Administration (FAA) Advisory Circular AC 150/5370-10G – Standards for Specifying Construction of Airports. As a result, it differs from the Item 605 specification used in prior projects at the Airport. The Contractor should make themselves aware of the differing and additional requirements resulting from the use of this specification.

ITEM P-605 – JOINT SEALANTS FOR CONCRETE PAVEMENTS

DESCRIPTION

605-1.1 This item shall consist of providing and installing a resilient and adhesive joint sealing material capable of effectively sealing joints and cracks in rigid pavements.

MATERIALS

605-2.1 Joint sealants. Joint sealant materials shall meet the requirements of:

ASTM D5893 Standard Specifications for Cold Applied, Single Component, Chemically Curing Silicone Joint Sealant for Portland Cement Concrete Pavements.

Joint sealant shall not be self-leveling.

Each lot or batch of sealant shall be delivered to the jobsite in the manufacturer's original sealed container. Each container shall be marked with the manufacturer's name, batch or lot number, the safe heating temperature, and shall be accompanied by the manufacturer's certification stating that the sealant meets the requirements of this specification.

605-2.2 Backer rod. The material furnished shall be a compressible, non-shrinking, non-staining, non-absorbing material that is non-reactive with the joint sealant. The material shall have a water absorption of not more than 5% when tested in accordance with ASTM C509. The backer-rod material shall be 25% ± 5 % larger in diameter than the nominal width of the crack.

605-2.3 Backup materials. Provide backup material that is a compressible, nonshrinking, nonstaining, nonabsorbing material, nonreactive with the joint sealant. The material shall have a melting point at least 5°F (3°C) greater than the pouring temperature of the sealant being used when tested in accordance with ASTM D789. The material shall have a water absorption of not more than 5% of the sample weight when tested in accordance with ASTM C509. The backup material shall be 25 ±5% larger in diameter than the nominal width of the crack.

605-2.4 Bond breaking tapes. Provide a bond breaking tape or separating material that is a flexible, nonshrinkable, nonabsorbing, nonstaining, and nonreacting adhesive-backed tape. The material shall have a melting point at least 5°F (3°C) greater than the pouring temperature of the sealant being used when tested in accordance with ASTM D789. The bond breaker tape shall be approximately 1/8 inch (3 mm) wider than the nominal width of the joint and shall not bond to the joint sealant.

CONSTRUCTION METHODS

605-3.1 Time of application. Joints shall be sealed as soon after completion of the curing period as feasible and before the pavement is opened to traffic, including construction equipment. The pavement temperature shall be 50°F (10°C) and rising at the time of application of the poured joint sealing material. Do not apply sealant if moisture is observed in the joint.

If the pavement must be opened to traffic prior to placement of the sealant, the Contractor shall temporarily fill the joint with a jute or nylon rope immediately after the joint is sawed. The rope should be slightly larger than the joint and should be forced into the joint so that the top of the rope is 1/8 inch (3 mm) below the pavement surface. The rope shall be removed immediately prior to cleaning.

605-3.2 Equipment. Machines, tools, and equipment used in the performance of the work required by this section shall be approved before the work is started and maintained in satisfactory condition at all times. Submit a list of proposed equipment to be used in performance of construction work including descriptive data, 14 days prior to use on the project.

a. Tractor-mounted routing tool. Not used.

b. Concrete saw. Provide a self-propelled power saw, with water-cooled diamond or abrasive saw blades, for cutting joints to the depths and widths specified or for refacing joints or cleaning sawed joints where sandblasting does not provide a clean joint.

c. Sandblasting equipment. Include with the sandblasting equipment an air compressor, hose, and long-wearing venturi-type nozzle of proper size, shape and opening. The maximum nozzle opening should not exceed 1/4 inch (6 mm). The air compressor shall be portable and capable of furnishing not less than 150 cfm (71 L/s) and maintaining a line pressure of not less than 90 psi (621 kPa) at the nozzle while in use. Demonstrate compressor capability, under job conditions, before approval. The compressor shall be equipped with traps that will maintain the compressed air free of oil and water. The nozzle shall have an adjustable guide that will hold the nozzle aligned with the joint approximately one inch (25 mm) above the pavement surface. Adjust the height, angle of inclination and the size of the nozzle as necessary to secure satisfactory results.

d. Waterblasting equipment. Include with the waterblasting equipment a trailer-mounted water tank, pumps, high-pressure hose, wand with safety release cutoff control, nozzle, and auxiliary water resupply equipment. Provide water tank and auxiliary resupply equipment of sufficient capacity to permit continuous operations. The nozzle shall have an adjustable guide that will hold the nozzle aligned with the joint approximately one inch (25 mm) above the pavement surface. Adjust the height, angle of inclination and the size of the nozzle as necessary to obtain satisfactory results. A pressure gauge mounted at the pump shall show at all times the pressure in psi (kPa) at which the equipment is operating.

e. Hand tools. Hand tools may be used, when approved, for removing defective sealant from a crack and repairing or cleaning the crack faces.

f. Hot-poured sealing equipment. Not used.

g. Two-component, cold-applied, machine mix sealing equipment. Not used.

h. Two-component, cold-applied, hand-mix sealing equipment. Not used.

i. Cold-applied, single-component sealing equipment. The equipment for installing ASTM D5893 single component joint sealants shall consist of an extrusion pump, air compressor, following plate, hoses, and nozzle for transferring the sealant from the storage container into the joint opening. The dimension of the nozzle shall be such that the tip of the nozzle will extend into the joint to allow sealing from the bottom of the joint to the top. Maintain the initially approved equipment in good working condition, serviced in accordance with the supplier's instructions, and unaltered in any way without obtaining prior approval. Small hand-held air-powered equipment (i.e., caulking guns) may be used for small applications.

605-3.3 Preparation of joints.

a. Sawing. All joints shall be sawed in accordance with specifications and plan details. Immediately after sawing the joint, the resulting slurry shall be completely removed from joint and adjacent area by flushing with a jet of water, and by use of other tools as necessary.

b. Sealing. Immediately before sealing, the joints shall be thoroughly cleaned of all remaining laitance, curing compound, filler, protrusions of hardened concrete, old sealant and other foreign material from the sides and upper edges of the joint space to be sealed. Cleaning shall be accomplished by sandblasting or waterblaster as specified in paragraph 605-3.2. The newly exposed concrete joint faces and the pavement surface extending a minimum of 1/2 inch (12 mm) from the joint edge shall be sandblasted clean. Sandblasting shall be accomplished in a minimum of two passes. One pass per joint face with the nozzle held at an angle directly toward the joint face and not more than 3 inches (75 mm) from it. After final cleaning and immediately prior to sealing, blow out the joints with compressed air and leave them completely free of debris and water. The joint faces shall be surface dry when the seal is applied.

c. Back-up material. When the joint opening is of a greater depth than indicated for the sealant depth, plug or seal off the lower portion of the joint opening using a back-up material to prevent the entrance of the sealant below the specified depth. Take care to ensure that the backup material is placed at the specified depth and is not stretched or twisted during installation.

d. Bond-breaking tape. Where inserts or filler materials contain bitumen, or the depth of the joint opening does not allow for the use of a backup material, insert a bond-breaker separating tape to prevent incompatibility with the filler materials and three-sided adhesion of the sealant. Securely bond the tape to the bottom of the joint opening so it will not float up into the new sealant.

605-3.4 Installation of sealants. Joints shall be inspected for proper width, depth, alignment, and preparation, and shall be approved by the Engineer before sealing is allowed. Sealants shall be installed in accordance with the following requirements:

Immediately preceding, but not more than 50 feet (15 m) ahead of the joint sealing operations, perform a final cleaning with compressed air. Fill the joints from the bottom up to 1/4 inch \pm 1/16 inch (2 mm) below the pavement surface. Remove and discard excess or spilled sealant from the pavement by approved methods. Install the sealant in such a manner as to prevent the formation of voids and entrapped air. In no case shall gravity methods or pouring pots be used to install the sealant material. Traffic shall not be permitted over newly sealed pavement until authorized by the Contracting Officer. When a primer is recommended by the manufacturer, apply it evenly to the joint faces in accordance with the manufacturer's instructions. Check the joints frequently to ensure that the newly installed sealant is cured to a tack-free condition within the time specified.

605-3.5 Inspection. The Contractor shall inspect the joint sealant for proper rate of cure and set, bonding to the joint walls, cohesive separation within the sealant, reversion to liquid, entrapped air and voids. Sealants exhibiting any of these deficiencies at any time prior to the final acceptance of the project shall be removed from the joint, wasted, and replaced as specified at no additional cost to the airport.

605-3.6 Clean-up. Upon completion of the project, remove all unused materials from the site and leave the pavement in a clean condition.

METHOD OF MEASUREMENT

605-4.1 Joint sealing material shall be measured by the linear foot of sealant in place, completed, and accepted.

BASIS OF PAYMENT

605-5.1 Payment for joint sealing material shall be made at the contract unit price per linear foot. The price shall be full compensation for furnishing all materials, for all preparation, delivering, and placing of these materials, and for all labor, equipment, tools, and incidentals necessary to complete the item.

Payment will be made under:

ITEM AR605510 JOINT SEALING FILLER – PER LINEAR FOOT.

TESTING REQUIREMENTS

ASTM D412	Standard Test Methods for Vulcanized Rubber and Thermoplastic Elastomers – Tension
ASTM C509	Standard Specification for Elastomeric Cellular Preformed Gasket and Sealing Material
ASTM D1644	Standard Test Methods for Nonvolatile Content of Varnishes

MATERIAL REQUIREMENTS

AC 150/5340-30	Design and Installation Details for Airport Visual Aids
ASTM D789	Standard Test Method for Determination of Relative Viscosity of Polyamide (PA)
ASTM D5893	Standard Specification for Cold Applied, Single Component, Chemically Curing Silicone Joint Sealant for Portland Cement Concrete Pavements

END ITEM P-605

ITEM 620000 – PAVEMENT MARKING

DESCRIPTION

620-1.1

ADD:

Paint shall be of the type and at the location as shown in the plans. Paint shall be waterborne and preformed thermoplastic.

MATERIALS

620-2.2 PAINT

ADD:

The paint shall contain no lead, chromium, cadmium or barium.

DELETE: Section (B) Epoxy in its entirety.

ADD: Section (C) Preformed Thermoplastic.

Performed Thermoplastic Airport Pavement Markings – Markings must be composed of ester modified resins in conjunction with aggregates, pigments, and binders that have been factory produced as a finished product. The material must be impervious to degradation by aviation fuels, motor fuels, and lubricants.

1. The markings must be able to be applied in temperatures down to 35°F without any special storage, preheating, or treatment of the material before application.
 - a. The markings must be supplied with an integral, non-reflectorized black border.
2. Graded Glass Beads
 - a. The material must contain a minimum of thirty percent (30%) intermixed graded glass beads by weight. The intermixed beads shall conform to [Federal Specification TT-B-1325D, Type I, Gradation A] [Federal Specification TT-B-1325D, Type IV].
 - b. The material must have factory applied coated surface beads in addition to the intermixed beads at a rate of 1 lb (\pm 10%) per 10 sq. ft. These factory applied coated surface beads shall have a minimum of 90% true spheres, minimum refractive index of 1.50 and meet the following gradation:

Size Gradation			
US Mesh	um	Retained %	Passing %
12	1700	0 – 2	98 – 100
14	1400	0 – 3.5	96.5 – 100
16	1180	2 – 25	75 – 98
18	1000	28 – 63	37 – 72
20	850	63 – 72	28 – 37
30	600	67 – 77	23 – 33
50	300	89 – 95	5 – 11
80	200	97 – 100	0 – 3

3. Heating Indicators. The top surface of the material (same side as the factory applied surface beads) shall have regularly spaced indents. These indents shall act as a visual cue during application that the material has reached a molten state so satisfactory adhesion and proper bead embedment has been achieved and a post-application visual cue that the installation procedures have been followed.
4. Pigments. Percent by weight.
 - a. White:
Titanium Dioxide, ASTM D 476, Type II shall be 10 percent minimum.
 - b. Yellow and Colors:
Titanium Dioxide, ASTM D 476, Type II shall be 1 percent minimum. Organic yellow, other colors, and tinting as required to meet color standard.
5. Prohibited Materials. The manufacturer shall certify that the product does not contain mercury, lead, hexavalent chromium, halogenated solvents, nor any carcinogen as defined in 29 CFR 1910.1200 in amounts exceeding permissible limits as specified in relevant Federal Regulations.
6. Daylight Directional Reflectance:
 - a. White:
The daylight directional reflectance of the white paint shall not be less than 75 percent (relative to magnesium oxide), when tested in accordance with Federal Test Method Standard No. 141D/GEN, Method 6121.
 - b. Yellow:
The daylight directional reflectance of the yellow paint shall not be less than 45 percent (relative to magnesium oxide), when tested in accordance with Federal Test Method Standard No. 141D/GEN. The x and y values shall be consistent with the tolerance listed below:

x .462	x .470	x .479	x .501
y .438	y .455	y .428	y .452
7. Skid Resistance. The surface, with properly applied and embedded surface beads, must provide a minimum resistance value of 45 BPN when tested according to ASTM E303.

8. Thickness. The material must be supplied at a nominal thickness of 65 mils (1.7 mm).
9. Environmental Resistance. The material must be resistant to deterioration due to exposure to sunlight, water, salt, or adverse weather conditions and impervious to aviation fuels, gasoline, and oil.
10. Retro Reflectivity. The material, when applied in accordance with manufacturer's guidelines, must demonstrate a uniform level of nighttime retro reflection when tested in accordance ASTM E1710.
11. Packaging. A protective film around the box must be applied in order to protect the material from rain or premature aging.
12. Manufacturing Control and ISO Certification. The manufacturer must be ISO 9001:2000 certified and provide proof of current certification. The scope of the certification shall include manufacture of reflective markings.
 - a. The markings must be a resilient thermoplastic product with uniformly distributed glass beads throughout the entire cross-sectional area. The markings must be resistant to the detrimental effects of aviation fuels, motor fuels and lubricants, hydraulic fluids, de-icers, anti-icers, protective coatings, etc. Lines, legends, and symbols must be capable of being affixed to bituminous and/or Portland cement concrete pavements by the use of a large radiant heater. Colors shall be available as required.
 - b. The markings must be capable of conforming to pavement contours, breaks, and faults through the action of airport traffic at normal pavement temperatures. The markings must be capable of fully conforming to grooved pavements, including pavement grooving per FAA AC 150/5320-12, current version. The markings shall have resealing characteristics, such that it is capable of fusing with itself and previously applied thermoplastics when heated with a heat source per manufacturer's recommendation.
 - c. Multicolored markings must consist of interconnected individual pieces of performed thermoplastic pavement marking material, which through a variety of colors and patterns, make up the desired design. The individual pieces in each large marking segment (typically more than 20 ft. long) must be factory assembled with a compatible material and interconnected so that in the field it is not necessary to assemble the individual pieces within a marking segment. Obtaining multicolored effect by overlaying materials of different colors is not acceptable due to resulting inconsistent marking thickness and inconsistent application temperature in the marking/substrate interface.
 - d. The marking material must set up rapidly, permitting the access route to be re-opened to traffic a maximum of 15 minutes after application.
 - e. The marking material shall have an integral color throughout the thickness of the marking material.

CONSTRUCTION METHODS

620-3.7 PAVEMENT MARKING REMOVAL

REVISE this Section to read:

The Contractor shall remove existing markings as shown in the plans or as directed by the Resident Engineer using the water blasting method only.

METHOD OF MEASUREMENT

620-4.1

ADD:

The quantity of permanent markings to be paid for shall be the number of square feet of painting with the specified material **measured only once to apply two coats** (waterborne only) in conformance with the specifications and accepted by the Engineer. No distinction shall be made between paint colors for payment purposes.

Black border shall not require reflective media.

BASIS OF PAYMENT

ADD:

Payment will be made under:

ITEM AR620520	PAVEMENT MARKING – WATERBORNE – PER SQUARE FOOT.
ITEM AR620900	PAVEMENT MARKING REMOVAL – PER SQUARE FOOT.
ITEM AR800016	PAVEMENT MARKING – PREFORMED THERMOPLASTIC – PER SQUARE FOOT.

DIVISION IV – DRAINAGE

ITEM 701 – PIPE FOR STORM SEWER AND CULVERTS

MATERIALS

701-2.1 GENERAL

DELETE: Entire Section.

ADD:

Pipe shall be of the type and diameter indicated and installed at the locations shown on the plans. Pipe for storm sewers shall be concrete storm sewer pipe Class IV reinforced concrete conforming to ASTM C-76 (with joints meeting ASTM C-361) as called out in the plans.

PVC storm sewer shall be ASTM D3034, SDR 35.

CONSTRUCTION METHODS

701-3.4 LAYING AND INSTALLING PIPE

ADD:

When sewer installation requires tapping into an existing manhole, the hole shall be cored to allow for appropriate pipe sizing. The work shall be considered incidental to the installation of the pipe.

BASIS OF PAYMENT

701-5.1

ADD:

Payment will be made under:

ITEM AR701006 6” PVC STORM SEWER – PER LINEAR FOOT.
ITEM AR701512 12” RCP, CLASS IV – PER LINEAR FOOT.

ITEM 705 – PIPE UNDERDRAINS FOR AIRPORTS

MATERIALS

705-2.5 POROUS BACKFILL

DELETE: This entire Section and REPLACE with:

Porous backfill shall be free of clay, humus, or other objectionable matter, and shall also conform to particle size specified.

Porous backfill material shall conform to the requirements for IDOT CA-7.

705-2.12 CORRUGATED POLYETHYLENE (PE) TUBING AND IGS FITTINGS

DELETE: This entire Section and REPLACE with:

Perforated PVC Pipe: The pipe shall be according to AASHTO M278, except it shall be made of PVC plastic having a minimum cell classification of 12454-C or 12364-C according to ASTM D1784.

705-2.13 FILTER FABRIC ENVELOPES FOR PERFORATED (PE) TUBING

DELETE: This entire Section.

705-2.15 UNDERDRAIN TRENCH ENVELOPE

ADD:

Geotechnical fabric for UD trench lining shall consist of woven or nonwoven filaments of polypropylene, polyester or polyethylene. Nonwoven fabric may be needle punched, heat-bonded, resin-bonded or combinations thereof. The filaments must be dimensionally stable (i.e., filaments must maintain their relative position with respect to each other) and resistant to delamination. The filaments must be free from any chemical treatment or coating that might significantly reduce porosity and permeability.

(a) Physical Properties. The fabric shall comply with the following physical properties:

Weight oz./sq. yd (g/m ²)	3.5 (120) min.	ASTM D 3776
Grab tensile strength lbs. (N)	100 (450 ^{1/}) min. ^{1/}	ASTM D 4632
Grab elongation @ break (%)	20 min. 1/	ASTM D 4632
Equivalent opening size (EOS NO.)		CW-02215-77 Corps of Engineers
Nonwoven	30 (600 μm) min ^{2/}	
Woven	50 (300 μm) min ^{2/}	

1/ For woven fabric, test results shall be referenced to orientation with warp or fill, whichever the case may be. Both woven and nonwoven fabrics shall be tested wet.

2/ Manufacturer's certification of fabric to meet requirements.

CONSTRUCTION METHODS

705-3.3 LAYING AND INSTALLING PIPE

REVISE this section to read:

Perforated PVC pipe underdrain shall be constructed as follows:

Trenches shall be excavated to the dimensions and grades required by the plans or as directed by the Engineer.

Trenches shall be lined with the underdrain trench envelope prior to placing any stone or underdrain. A 2-foot minimum lap of material is required where breaks in the fabric occur. Prior to installing the pipe, a 4" layer of porous backfill meeting the requirements of Section 705-2.5 shall be constructed in the bottom of the trench.

Perforated PVC Pipe shall be seated in the porous backfill and held firmly in place, while porous backfill meeting the requirements of Section 705-2.5 is placed to a height of 5 inches \pm 1 inch above the pipe. After the first lift is compacted to the satisfaction of the Engineer, the remainder of the backfill shall be placed and compacted. The underdrain trench envelope is then folded over the backfilled trench and weighted down with 1" to 2" of porous backfill.

Perforated PVC pipe shall be laid true to grade as detailed on the plan sheets.

The Contractor shall be required to establish control grade on the underdrain pipe to ensure the pipe is installed at the proper elevation. Contract grade elevations are to be provided to the resident engineer upon request.

705-3.6 BACKFILLING

ADD:

Backfilling material for voids left by underdrain or underdrain collection structure removals under proposed pavement areas shall consist of IDOT CA-6 material compacted to 95% of the maximum density in accordance with ASTM D-698 (Standard Proctor). This cost shall be considered incidental to the associated pay item.

705-3.11 UNDERDRAIN COLLECTION STRUCTURE REMOVAL

ADD:

This work shall consist of removal of existing underdrain collection structures. Voids created resulting from the structure removal shall consist of IDOT CA-6 material compacted to 95% of the maximum density in accordance with ASTM D-698 (Standard Proctor). This cost shall be considered incidental to the associated pay item. Structures removed shall be disposed of off airport property.

METHOD OF MEASUREMENT

705-4.1

ADD as the last sentence of the first paragraph:

The number of underdrain collection structures removed shall be measured per each.

BASIS OF PAYMENT

705-5.1

ADD as the last sentence of the first paragraph:

The underdrain trench envelope shall be considered incidental to the underdrain and shall not be measured for payment purposes.

DELETE the fourth paragraph and REPLACE with:

The contract unit price per linear foot for underdrain pipe and per each for underdrain collection structure removal shall be full payment for furnishing all materials, and for all excavation, select backfill placement, compaction, removal, disposal and for all labor, equipment and tools necessary to complete this item to the satisfaction of the Engineer

Payment will be made under:

ITEM AR705506	6" PERFORATED UNDERDRAIN – PER LINEAR FOOT.
ITEM AR705635	UNDERDRAIN COLLECTION STRUCTURE – PER EACH.
ITEM AR705900	REMOVE UNDERDRAIN – PER LINEAR FOOT.

ITEM 751 – MANHOLES, CATCH BASINS, INLETS AND INSPECTION HOLES

DESCRIPTION

751-1.1

ADD:

Specifically, this item consists of the construction of manholes as shown on the plans or as directed by the Engineer.

Type A manholes with four (4) foot diameters shall conform to IDOT Standard 602401-03.

Type 1 frames and grates (open lids) shall conform to IDOT Standard 604001-0

CONSTRUCTION METHODS

751-3.1 UNCLASSIFIED EXCAVATION

ADD:

(f) DEWATERING – The Contractor shall, at all times, provide and maintain in operation pumping and/or well point equipment for the complete dewatering of the excavation. No structure shall be permitted to be constructed in an excavated area in which any amount of water flows or is pooled.

BASIS OF PAYMENT

751-5.1

ADD:

Payment will be made under:

ITEM AR751540 MANHOLE 4'– PER EACH.

DIVISION V – TURFING

ITEM 901 – SEEDING

DESCRIPTION

901-1.1

ADD:

Restoration, seeding and mulching beyond the limits of seeding and mulching shown in the plans (such as lighting, cabling, signage, access roads, haul roads, staging area, storage area) shall be considered incidental to the contract.

MATERIALS

901-2.2 LIME

DELETE: Entire Section.

ADD:

The Contractor has the option to perform a soil test, at their expense, for the on-site or plan specified topsoil sources. If the Contractor proposes an application of lime, the proposal shall be approved by the Engineer. Lime, if used, shall be at no additional costs to the contract.

901-2.3 FERTILIZER

DELETE: The last paragraph and the fertilizer rate table.

ADD:

Fertilizer shall be applied at rates that supply the following amounts of nutrients per acre to the distributed areas of seeding:

<u>NUTRIENTS</u>	<u>POUNDS PER ACRE</u>
Nitrogen Fertilizer Nutrients	90
Phosphorus Fertilizer Nutrients	90
Potassium Fertilizer Nutrients	<u>90</u>
TOTAL	270

The Contractor has the option to perform a soil test, at their expense, to validate that the fertilizer rate specified is suitable for the on-site or plan specified topsoil sources. If the Contractor proposes an alternate mix ratio and weights, the proposal shall be approved by the Engineer. Alternate mix ratio and/or weights shall be at no additional costs to the contract.

CONSTRUCTION METHODS

901-3.2 DRY APPLICATION METHOD

DELETE: Paragraph C. Seeding

ADD:

Grass seed shall be sown at the rate shown in 901-2.1 with a machine that is capable of cutting a slit in the soil free from leaves and debris, placing the seed in the slit and compacting the seed into the soil of the slit in one continuous operation.

The site will be to grade and shaped to the elevations as shown on the plans. The topsoil will be free of clods, stones, roots, sticks, rivulets, gullies, crusting, caking and have a soil particle size of no larger than 1". Seedbed preparation methods shall be approved by the Engineer. Cultivation shall be accomplished at such a time that seeding may occur immediately and without delay. No seeds shall be sown until the Seedbed has been approved by the Engineer.

No seed shall be sown during high winds or when the ground is not in a proper condition for seeding, nor shall any seed be sown until the purity test has been completed for the seeds to be used, and shows that the seed meets the noxious weed seed requirements. All equipment shall be approved by the Engineer prior to being used. Prior to starting work, seeders shall be calibrated and adjusted to sow seeds at the required seeding rate. Equipment shall be operated in a manner to ensure complete coverage of the entire area to be seeded. The Engineer shall be notified forty-eight (48) hours prior to beginning the seeding operations.

901-3.3 WET APPLICATION METHOD

DELETE: Entire Section.

BASIS OF PAYMENT

901-5.1

ADD:

Payment will be made under:

ITEM AR901510 SEEDING – PER ACRE.

ITEM 904 – SODDING

MATERIALS

904-2.2 LIME

ADD: Lime will not be required unless considered necessary by the Contractor.

904-2.3 FERTILIZER

ADD: Fertilizer will not be required unless considered necessary by the Contractor.

CONSTRUCTION METHODS

904-3.1 GENERAL

DELETE: First paragraph.

ADD:

Sod shall be constructed to the limits shown on the plans. The exact limits will be established by the Resident Engineer, however no additional payment will be made for exceeding the limits of construction shown in the plans.

904-3.2 PREPARING THE GROUND SURFACE

ADD:

The areas to be sodded shall be stripped of vegetation, in accordance with Item 152, thoroughly disked or scarified to a 3" minimum depth, and brought to grade with topsoil as described in Item 152 – Excavation and Embankment.

BASIS OF PAYMENT

ADD:

Payment will be made under:

ITEM AR904510 SODDING – PER SQUARE YARD.

ITEM 905 – TOPSOILING

DESCRIPTION

905-1.1

ADD:

Existing topsoil shall be stripped from excavation and embankment areas and below proposed pavements and stockpiled outside of the grading limits. The surface of all disturbed areas shall be covered with a layer of topsoil to facilitate drainage and the growth of turf.

CONSTRUCTION METHODS

905-3.1 GENERAL

DELETE: The first sentence.

ADD:

A 4 inch minimum layer of topsoil shall be spread evenly over the disturbed areas outside the proposed pavement to facilitate drainage and the growth of turf.

905-3.3 OBTAINING TOPSOIL

DELETE: The third paragraph.

905-3.4 PLACING TOPSOIL

CHANGE:

In the first sentence the word “uniform” to “minimum”.

ADD:

When constructing Item 152, the contractor shall consider the thickness of topsoil to be spread over the compacted surface to ensure that final grade constructed including the topsoil is to the lines and grades shown in the plans.

METHOD OF MEASUREMENT

905-4.1

DELETE: This section.

ADD:

Topsoil shall be measured and paid as specified under Item 152 of these special provisions.

905-4.2

DELETE: This section.

BASIS OF PAYMENT

905-5.1

DELETE: This section.

ADD:

No individual payment will be made for the spreading of topsoil. Topsoiling shall be considered incidental to Item 152.

ITEM 908 – MULCHING

DESCRIPTION

908-1.1

ADD:

Restoration, seeding and mulching beyond the limits of seeding and mulching shown in the plans (such as lighting, cabling, signage, access roads, haul roads, staging area, storage area) shall be considered incidental to the contract.

MATERIALS

908-2.1 MULCH MATERIAL

REVISE: First sentence to read:

Material used for mulching shall be (D) Hydraulic Mulch – Heavy Duty.

Chemical Mulch Binder meeting the requirements per Section 1081.06 (a) (3) of the IDOT “Standard Specifications for Road and Bridge Construction”, latest edition shall be used as a mulch stabilizer.

CONSTRUCTION

908-3.1 MULCHING

ADD:

Chemical mulch binder shall be mixed and applied per the manufacturer’s recommendations.

BASIS OF PAYMENT

908-5.1

ADD:

Chemical mulch binder shall not be paid for separately but shall be included in the unit bid price for mulching.

Payment will be made under:

ITEM AR908510 MULCHING – PER ACRE.

DIVISION VI - LIGHTING INSTALLATION

ITEM 108 – INSTALLATION OF UNDERGROUND CABLE FOR AIRPORTS

DESCRIPTION

108-1.1

DELETE: The 3rd sentence of the first paragraph.

ADD:

This item of work shall consist of the underground installation of 5000V cables in unit duct and 600V cable in unit duct at the locations shown on the plans and in accordance with these specifications. A marking tape shall be placed above all cables being installed. When crossing existing utilities or as required by the Resident Engineer, the Contractor shall hand dig the trenches for the proposed cables.

Contractor shall color code and label all airfield lighting cables in ducts, manholes or handholes as directed by the Resident Engineer. All costs of color-coding and labeling shall be considered incidental to the contract unit price of the associated item.

EQUIPMENT AND MATERIALS

108-2.2 CABLE

ADD:

Airfield lighting cable under this item shall be:

- 1/C #8, 5 KV, L-824 TYPE C in 1" unit duct.

REIL cable under this item shall be:

- 2-1/C #4 XLP-USE, 600V and 1/C #8 Gnd IN 1-1/4" unit duct.

108-2.4 CABLE CONNECTIONS

DELETE: The first and second sentence of paragraph D. The Taped or Heat-Shrunked Splice.

ADD:

To further reduce the possibility of water (moisture) entrance into the connector between the cable and the field attached connector, heat shrinkable tubing with interior adhesive shall be applied over all cable connections.

The heat shrinkable tubing shall cover the entire L-823 connector. All connections shall be at manholes or light bases. No direct burial splicing will be allowed.

No splices will be allowed in the new cable unless at the end of a spool of cable. Splices due to termination points shall be done in splice cans, manholes, handholes and light cans. Any repairs necessary to cable damaged during installation shall be done at the Contractor's expense and shall consist of replacing the entire length of damaged cable between pull points.

In line connections for existing cables to be spliced or those which are cut during construction shall be repaired with the cast splice kit. The Contractor shall have a minimum of five (5) splice kits on the jobsite at all times for emergency repairs. Splice markers shall be installed over each splice in cables not to be abandoned. Cast splice kits shall be as specified in paragraph (a). All field splices shall be covered with a flexible polyolefin heat-shrinkable sleeve.

CONSTRUCTION METHODS

108-3.1 GENERAL

ADD:

Any damages to existing utilities as a result of the Contractor's operations shall be repaired immediately at his expense.

108-3.2 INSTALLATION IN DUCT OR CONDUIT

ADD:

The Contractor shall install conduit in trench between the lights and signs as shown in the plans.

The Contractor shall coordinate the cable trenching, placement and backfilling operations so that the cable will not be damaged by (a) the use of mechanized road building equipment in the area where underground cable is or will be in existence, and (b) stone or other foreign materials falling into the trench or mixing into the trench backfill materials.

Contractor shall provide a minimum of one loop of cable in all manholes, handholes and light bases.

108-3.3 TRENCHING

REVISE 24" to 30" in the last sentence of the second paragraph.

ADD:

The installation of conduit using the plowing in method shall not be acceptable.

108-3.5 SPLICING

DELETE: The first and second paragraph of Section D. Taped or Heat-Shrunked Splices.

ADD:

Contractor shall use cast splicing kits as described in Article 108-2.4 for any splices made inside the electric handholes. The cast splicing kit shall be series 82-B1 Scotch cast or 90-B1 Scotch cast as manufactured by 3M or equal. Contractor shall provide shop drawing for splicing method and cast splicing kit. Contractor shall also leave minimum 30" of slack on each side of the cable being spliced.

Contractor may elect to install FAA approved "Complete Kit" or "Super Kit" with sealant and rubber boot in lieu of heat shrink connectors at no additional cost to the contract.

108-3.10 LOCATING OF EXISTING CABLES

ADD:

Contact Personnel are listed in Section 70-17 herein.

108-3.11 TERMINATIONS AND CONNECTIONS

REVISE: In paragraph 3, the number of splice kits required on site from two (2) to five (5).

METHOD OF MEASUREMENT

108-4.1

DELETE: This Section.

108-4.2

REVISE: This Section to read as follows.

The length of 1/C #8 5KV UG cable in UD and 2-1/C #4 XLP-USE, 600V and 1/C #8 GND in 1-1/4" UD installed shall be the number of lineal feet measured in place, completed and ready for operation, and accepted as satisfactory, and no extra quantity will be allotted for any vertical distances or the required cable slack, as stated under Item 108-3.3, in the Standard Specifications. There will not be a separate measurement made for each cable installed in conduit.

The cost of routing the cable through duct, splicing, marking, trenching, backfilling, and all connections shall be included in the unit price bid for the cable.

The cost of removing any existing cable as called out in the plans shall not be measured separately for payment, but shall be considered incidental to the unit bid price for the cable.

BASIS OF PAYMENT

108-5.1

REVISE: This Section to read as follows:

The cables measured under Item 108-4.2 shall be paid for under this item. These prices shall be full compensation for furnishing all materials and for all preparation and installation of these materials, trenching, backfilling and compacting trenches, all connections, line marking tape and installation, and for all labor, equipment, tools and incidentals necessary to complete these items. The line marking tape installed shall be considered incidental to the work and shall not be paid for separately.

Payment will be made under:

ITEM AR108158	1/C #8 5KV UG CABLE IN UD – PER LINEAR FOOT.
ITEM AR800022	2-1/C #4 XLP-USE, 600V AND 1/C #8 GND IN 1-1/4" UD – PER LINEAR FOOT.

**ITEM 109 – INSTALLATION OF AIRPORT TRANSFORMERS
AND VAULT EQUIPMENT**

DESCRIPTION

109-1.1

DELETE: This Section.

ADD:

The Contractor shall furnish all equipment, materials and labor necessary to furnish the proposed electrical vault equipment shown in the plans or as specified herein.

This item shall include the modifications and upgrades of existing Airfield Lighting Control and Monitoring System (ALCMS) at Quad City International Airport. Any parts and labor required by the Contractor to make these changes shall be incidental to this item.

MATERIALS

109-2.22 OTHER ELECTRICAL EQUIPMENT

1. ALCMS Modifications and Upgrades

The purpose of the L-890 ALCMS is to provide the tower operator with a means for controlling and monitoring the airfield lighting on the runways, taxiways, and other airfield visual navigation aid equipment. The existing ALCMS programming and graphic depiction of airfield on tower touchscreen and vault screen shall be modified to add new Taxiway "K" connector.

It is Contractor's responsibility to coordinate and verify airport layout graphics showing airfield lighting components and NAVAIDS with Airport Authority and ALCMS manufacturer to provide an updated and operational ALCMS to the satisfaction of the Engineer.

109-2.23 ELECTRICAL EQUIPMENT TO BE INSTALLED INSIDE THE VAULT

Contractor shall install all equipment necessary for a complete and operational airfield lighting vault including conduits and cabling inside the proposed vault.

109-2.24 WIRE

REVISE paragraph (a) "Control Circuits" first sentence to read:

Wire size shall not be less than #12AWG, unless otherwise detailed on the plans, and shall be insulated for 600 volts.

DELETE paragraph (b) 2 and (b) 3.

ADD paragraph (b) 2.5,000 volts maximum - Wire shall be #8 AWG or larger, and conform to FAA L824 Type C specifications and ICEA S-66-524. Insulation shall be cross-linked polyethylene (XLP) with overall outer jacket of polyvinyl chloride (PVC). All cable shall utilize stranded, bare copper conductor.

109-2.25 SHOP DRAWINGS

In addition to the requirements of Section 60 Paragraph 60-09 of the General Provisions of Division I of these specifications, shop drawings shall also be submitted for review for all items specified in Paragraphs 109-2.10 through and including Paragraph 109-2.23.

CONSTRUCTION METHODS

109-3.1 GENERAL

ADD:

The equipment installation and mounting shall comply with the requirement of the National Electrical Code and local code agency having jurisdiction.

109-3.15 WIRING AND CONNECTIONS

ADD:

Plastic wire duct shall be used for routing wires inside control panels. After wiring is completed, covers are to be installed on all plastic duct.

109-3.16 MARKING AND LABELING

ADD:

All new or relocated equipment, control wires, etc. installed under this contract shall be tagged, marked, or labeled as required.

109-3.17 TESTING

ADD:

The installation shall be tested in operation as a completed unit prior to acceptance. Tests shall include resistance, voltage, current readings and remote operations of ALCMS as required by the Engineer. Testing equipment shall be furnished by the Contractor. Tests shall be conducted as directed by the Engineer and shall be to his satisfaction. The Contractor shall be responsible for all equipment and conduit in place which will be connected to the new equipment, and any equipment or materials found to be defective or damaged shall be replaced by the Contractor at his own expense.

All testing shall be in the presence of the Engineer and an Airport Representative.

109-3.18 OPERATION AND MAINTENANCE MANUALS

ADD:

The Contractor shall supply four (4) copies of Operational and Maintenance Manuals for the ALCMS.

METHOD OF MEASUREMENT

109-4.1, 4.2, 4.3

DELETE: These Sections.

ADD:

109-4.4

The quantity of materials and work to be paid for under this item shall be as follows:

- 1) The proposed vault modifications shall include upgrades and modifications of existing ALCMS and graphics to show new taxiway as incidental in this section, tools and labor required to furnish a complete operational system.

BASIS OF PAYMENT

109-5.1

ADD:

Payment will be at the contract unit price per lump sum as described below, complete and accepted for this item. This price shall be compensation in full for all preparation, assembly, removal, materials, labor, equipment, tools and incidentals necessary to complete the item as specified herein or as directed by the Engineer.

Payment will be made under:

ITEM AR109210 VAULT MODIFICATIONS PER LUMP SUM.

ITEM 110 – INSTALLATION OF AIRPORT UNDERGROUND ELECTRICAL DUCT

DESCRIPTION

110-1.1

ADD:

This item shall consist of the construction of galvanized rigid steel (GRS) conduit (jacked) and concrete encased duct banks, including appropriate duct markers, at the locations shown in the plans or as directed by the Engineer.

Trenching and backfilling under the proposed pavement for the concrete encased duct shall not be paid for separately, but shall be considered incidental to the associated duct item. Contractor shall provide pull wire for each conduit and cap the unused conduits for future use.

EQUIPMENT AND MATERIALS

110-2.9 DUCT MARKERS

The Contractor shall provide brass duct markers for each new or existing duct being used as detailed in the plans. The cost of installation of the duct markers shall be incidental to the associated electrical work.

110-2.10 AGGREGATE BACKFILL

ADD:

Crushed aggregate material conforming to the requirements of Item 209, or as approved by the Engineer shall be used for backfill at the pavement crossings for the proposed duct installation. The granular material shall be compacted to not less than 95% of Modified Proctor laboratory density. In lieu of aggregate, the Contractor may substitute Controlled low strength material (CLSM) backfill for those areas requiring aggregate backfill. This substitution must be approved in writing prior to construction and must be completed at no additional cost to the contract. CLSM shall meet the requirements of IDOT *Standard Specifications for Road and Bridge Construction (latest edition)*, Section 593. The CLSM material will be considered incidental to the associated duct item.

CONSTRUCTION METHODS

110-3.5 BACKFILL

ADD:

Crushed Stone conforming to the requirements of Item 209 gradation shall be used for backfill at the pavement crossings for the new duct installation. The granular material shall be compacted to not less than 95% of Modified Proctor laboratory density.

METHOD OF MEASUREMENT

110-4.2

DELETE: This Section.

ADD:

The quantity of concrete encased duct and GRS conduit (jacked) to be paid for shall be the number of lineal feet installed, measured in place, completed, and accepted. No separate measurement will be made for individual ducts in a multi-way duct system. The cost of trench excavation and backfill shall not be measured separately for payment, but shall be considered incidental to the respective pay item associated with the work.

BASIS OF PAYMENT

110-5.1

DELETE: Entire Section.

ADD:

Payment will be made at the contract unit price per lineal foot for each type and size of jacked GRS conduit and concrete encased duct completed and accepted. These prices shall be full compensation for furnishing all materials and for all preparation, assembly, aggregate backfill, backfill, compaction, duct markers, pull rope/wire, and installation of these materials, and for all labor, equipment, tools, and incidentals necessary to complete these items as specified herein.

Topsoiling and seeding of the duct and conduit trench shall not be paid for separately but shall be considered incidental to the associated duct.

Payment will be made under:

ITEM AR110312 2" STEEL DUCT, JACKED – PER LINEAR FOOT.
ITEM AR110504 4-WAY CONCRETE ENCASED DUCT – PER LINEAR FOOT.

ITEM 125 – INSTALLATION OF AIRPORT LIGHTING SYSTEMS

DESCRIPTION

125-1.1

ADD:

Airfield lighting improvements and modifications shall include:

- Installation of new medium intensity base mounted taxiway lights.
- Installation of new taxi guidance LED signs.
- Modification of existing taxi guidance sign panels.
- Installation of new splice cans.
- Removal of existing medium intensity base mounted taxiway light and foundation
- Removal of existing medium intensity base mounted taxiway light (fixture only).
- Relocation of existing runway guard lights (RGL).

125-1.6 INSPECTION, TEST AND WARRANTY

ADD:

VISUAL EXAMINATION

The most important of all inspection and test procedures is thorough visual inspections. Visual inspections shall be made frequently during installation, at completion of installation, and before energizing the circuits. A careful visual inspection can reveal defects that can be corrected prior to acceptance tests and energization. Serious damage may occur if defects are subjected to electrical tests or energization. Visual inspections shall include appraisal of:

- (a) Correctness of external connections.
- (b) Good work performance.
- (c) Cleanliness.
- (d) Safety hazards.
- (e) Specific requirements listed herein for individual items. While all equipment manufactured under specifications pass strict factory tests prior to shipment, it shall be inspected for shipping damage immediately upon receipt.

ELECTRICAL TESTS ON SERIES LIGHTING CIRCUITS

Before modifying any series circuit, verify the performance of the existing circuit by checking the supply voltage to the regulator and measuring the output current from the regulator on all brightness steps under existing load.

- (a) For home run segments that will not be replaced, disconnect at S-1 cutout and at first fixture and verify cable continuity.
- (b) Check cable connections and perform electrical tests on cable as specified in Section 108.

LIGHTING FIXTURES

An inspection shall be made to determine that the color, quantity, and locations of lights are in accordance with the installation drawings. Each light shall be inspected to determine that it is operable, glass is not broken or cracked, correct lamps are installed, and it has been properly leveled and aimed, in accordance with technical orders and manufacturer's instructions, where applicable.

CONSTANT CURRENT REGULATORS

The supply voltage and input and output current shall be checked at the regulator to see that they operate properly and that regulators are not overloaded due to shorts to ground or excessive leakage.

- (a) Visual Examination. Each constant current regulator shall be visually examined to insure that porcelain bushings are not cracked, no shipping damage has occurred, internal and external connections are correct, switches and relays operate freely and are not tied or blocked, fuses (if required) are correct, and that the oil level of oil-filled regulators is correct. Relay panel covers only shall be removed for this examination; it is not necessary to open the main tank of oil-filled regulators. The instructions on the plates attached to the regulator shall be accomplished. After examination and tests are completed, replace all covers tightly.
- (b) Electric Tests. The supply voltage and input tap shall be checked to see that they correspond. With the load disconnected, the regulator shall be energized and the open circuit protector observed to see that it de-energizes the regulator within 2 or 3 seconds.

FINAL ACCEPTANCE TESTS

After components and circuits have been inspected, as specified in the preceding paragraphs, the entire system shall be inspected and tested as follows:

- (a) Operate each switch for the modified lighting circuits from the remote control position (ATCT) so that each switch position is reached at least twice. During this process, all lights and vault equipment shall be observed to determine that each switch properly controls the corresponding circuit.
- (b) Repeat the above test using the local control switches on the regulators.
- (c) Each lighting circuit shall be tested by operating it continuously at maximum brightness for at least 6 hours. Visual inspection shall be made at the beginning and end of this test to determine that the correct numbers of lights are operating at full brightness. Dimming of some or all of the lights in a circuit is an indication of grounded cables.
- (d) In addition to the above, all equipment shall be subjected to any and all performance tests specified in the manufacturer's instructions.
- (e) Photometric testing. The Airport may, upon completion of the lighting installation and as part of acceptance testing, perform field photometric testing of each new light fixture to assure the installed runway lights meet the photometric requirements specified by FAA. The test results will be recorded and furnished to the Contractor, with any noted deficiencies. The Contractor is responsible for correcting any deficiencies at no additional cost to the Owner. The Contractor shall furnish spares in support of this testing, to include 15% lamps and 5% lenses for the new in-pavement lights. Spares not used shall be provided to the Airport upon completion of the work.

125-1.7 GUARANTEE

All equipment furnished and work performed under the Contract Documents shall be guaranteed against defects in materials or workmanship for a period of one (1) year from the date of final acceptance. This guarantee does not replace any responsibility for errors or omissions as set forth in state law. Any long-term warranties issued or offered by manufacturers for items of equipment shall be turned over to the Airport.

125-1.8

Any failure of equipment or work due to defects in materials or workmanship shall be corrected by the Contractor at no cost to the Airport.

125-1.9

The Contractor shall ascertain that all lighting system components furnished by him (including FAA approved equipment) are compatible in all respects with each other and the remainder of the new/existing system. Any incompatible components furnished by the Contractor shall be replaced by him at no additional cost to the Airport with a similar unit approved by the Project Engineer (different model or manufacturer) that is compatible with the remainder of the airport lighting system.

125-1.10

The Contractor-installed equipment (including FAA approved) shall not generate any electromagnetic interference in the existing and/or new communications, weather and air traffic control equipment. Any equipment generating such interferences shall be replaced by the Contractor at no additional cost with the equipment meeting applicable specifications and not generating any interference.

EQUIPMENT AND MATERIALS

125-2.1 GENERAL

ADD:

All new equipment shall be listed in Advisory Circular 150/5345-1(Latest Edition) - Approved Airport Lighting Equipment.

Before any electrical materials are ordered, the Contractor shall furnish the Engineer a list of the materials and equipment to be incorporated in the work. This list shall include the name of each item, the Federal Aviation Administration specification number, the manufacturer's name, the manufacturer's catalog number, and the size, type and/or rating of each item, catalog cuts, test data, fuse curves, outline drawings, nameplate drawings, wiring diagrams, and schematic diagrams.

After the list has been approved by the Engineer and prior to installation, the Contractor shall assemble the equipment and materials at a single location, on-site, and request inspection by the Engineer. None of the equipment or materials, other than duct or conduit, may be used on the job until such as inspection has been completed.

All test results from required tests shall be submitted to the Engineer for review and approval.

Airport lighting equipment and materials covered by FAA specifications shall have prior approval of the Federal Aviation Administration, Airport Service, Washington, DC 20591, and shall be listed in the current edition of FAA Advisory Circular AC 150/5345-53, Airport Lighting Equipment Certification Program. All other equipment and materials covered by other referenced specifications shall be subject

to acceptance through manufacturer's certification of compliance with the applicable specification, when required by the Engineer.

The following documents, of the issue in effect on the date of application for qualification, are applicable to the extent specified:

<u>Item</u>	<u>Specification</u>	<u>Advisory Circular</u>
Elevated Lights	L-861	AC 150/5345-46D
Transformers, Isolation, 60 Hz	L-830	AC 150/5345-47A
Light base, non-load bearing	L-867	AC 150/5345-42C
Signs	L-858	AC 150/5345-44J

All FAA Advisory Circular referenced in this specification refer to the most recent edition in circulation.

125-2.7 ISOLATION TRANSFORMERS

ADD:

New transformers shall be L-830, 6.6A Pri./6.6A Sec. of the wattage recommended by the manufacturer. The number of transformers per light shall also be as recommended by the manufacturer.

125-2.8 LIGHT CANS

ADD:

3/4" thick blank cover plates shall be provided as required.

125-2.11 AIRFIELD SIGNS

ADD:

Taxi guidance signs shall conform to the type, class, style, nomenclature and dimensions shown in the plans to match the existing guidance signs and as specified herein.

Airfield taxiway signs shall be LED L-858, Size 2, Style 2, Class 2 conforming to the nomenclature indicated in the Plans. For the purposes of this specification, a character shall be defined as a letter, numeral, dot, dash or arrow to be indicated on the sign nomenclature. Sign components and lengths shall be as recommended by the manufacturer.

The LED L-858 Airfield Guidance Signs shall conform to the requirements of FAA Advisory Circular 150/5345-44 (latest revision) "Specification for Runway and Taxiway Signs" and FAA LED "Engineering Brief No. 67" (current edition). The signs shall be ETL certified. The LED L-858 signs shall be as manufactured by ADB or approved equal.

125-2.14 TAXIWAY LIGHTS

ADD:

Taxiway lights shall be base mounted as shown on the plans and shall meet the following FAA specifications:

L-861T Medium Intensity Taxiway Lights

125-2.15 LIGHT AND SIGN REMOVAL

ADD:

Existing light bases shall be completely removed and disposed of by the Contractor off Airport property. The excavations shall be backfilled and compacted per the requirements of section 152. The cable associated with light or sign removal shall be removed from the conduit/unit duct and the conduit/unit duct shall be abandoned in place.

Any salvageable materials shall be saved and remain the property of the Airport. The material shall be delivered to the Airport Maintenance Facility.

125-2.16 SIGN PANELS

ADD:

When existing signs are proposed to be retrofitted with new sign panels, the sign panels shall conform to the applicable requirements of Advisory Circular 150/5340-18 (latest revision). The Contractor shall verify that the proposed sign panels are compatible with the existing sign assemblies before ordering materials.

125-2.17 SPLICE CAN

Splice can shall be L-867 size B base can and shall be installed as shown on the plans.

CONSTRUCTION METHODS

125-3.1 GENERAL

ADD:

The Contractor shall exercise caution in the installation and removal of all light units. Any units damaged by the Contractor's operations shall be repaired or replaced to the satisfaction of the Engineer at no additional cost to the contract.

125-3.4 PHASING AND INTERRUPTIONS

ADD:

All existing electrical equipment and lighting systems not included in the phase of work being performed must be kept in operation, unless prior approval of the Owner has been received and as otherwise specified below and on the Drawings. The Contractor may use salvaged materials for temporary construction where required. The permission for temporary work and using salvaged materials shall be obtained from the Owner. Lighting for active runway and taxiway surfaces shall be maintained. Work shall be coordinated with paving operations.

Refer to the special provision of the specification for notification requirements and other information regarding work interruptions due to airport operational requirements or Contractor anticipation for exceeding the limitations described in the above paragraph.

125-3.5 SIGN PANEL MODIFICATION

Contractor shall remove existing sign panels and replace with new sign panels as shown on the Plans. Unused sign panels shall remain the property of the Airport. For the purpose of this specification, a sign panel modification is defined as one (1) side of the existing guidance sign, regardless of number of characters modified on the side that is modified.

Following the removal of the existing sign panels, each existing sign panel shall be cleaned and stored at the location designated by the Engineer.

125-3.6 RELOCATE RUNWAY GUARD LIGHTS

ADD:

The Contractor shall exercise care in removal and relocation of the existing runway guard lights (RGL) to the new locations to prevent damage. Fixtures, transformers and frangible couplings shall be reused, and shall be replaced and no additional cost to the contract if damaged by contractor. The light relocation shall include all items necessary to construct a complete unit including, but not restricted to cans, bases, foundations, conduits, ground rods and connectors. Areas shall be backfilled, to existing elevations, graded, seeded and mulched.

METHOD OF MEASUREMENT

125-4.1

DELETE: Entire section.

ADD:

The quantities to be paid for under this item shall consist of:

- (a) The number of edge lights, splice cans and taxi guidance signs installed in place as complete units, ready for operation and accepted by the Engineer. The cost of installation of the ground wire and ground rod for each edge light, splice can and sign shall be incidental to the respective pay item.
- (b) The number of runway guard lights completely relocated to their new locations and accepted by the Engineer.
- (c) The number of edge light fixtures removed and delivered to the Airport. The cost of removing the isolation transformer, providing a blank cover plate for the existing L-867 can, and splicing the existing circuit wiring to insure the integrity of the remaining circuit will not be measured separately for payment, but shall be considered incidental to the cost of the light fixture removal.
- (d) The number of taxi guidance sign panels modified and accepted by the Engineer.

The cost of the ground wire and ground rod for each electrical item shall not be paid for separately but shall be incidental to the respective pay item unless otherwise shown on the plans.

BASIS OF PAYMENT

125-5.1

ADD:

Payment will be made at the contract unit price for each complete item furnished and installed in place by the Contractor and accepted by the Engineer. This price shall be full compensation for furnishing all materials and for all preparation, removals, modifications, relocation, concrete foundations, light fixtures, transformers, drain pipe, base cans, ground wire, ground rods, conduits, trenching, assembly, and installation of these materials, and for all labor, equipment, tools, and incidentals necessary to complete these items as specified herein.

Payment will be made at the contract unit price per each item removed or relocated by the Contractor and accepted by the Engineer. This price shall be full compensation for furnishing all materials, blank cover plates, fixture removals (to be salvaged and turned over to the Airport), base can, transformer and foundation removal and relocation, excavation, earth backfill, compaction and disposal, and for all labor, equipment and tools necessary to complete this item to the satisfaction of the Engineer.

Payment for topsoiling and seeding of the Item 125 installation areas shall not be paid for separately but shall be considered incidental to the associated item.

Payment will be made under:

ITEM AR125415	MITL – BASE MOUNTED – PER EACH.
ITEM AR125444	TAXI GUIDANCE SIGN, 4 CHARACTER – PER EACH.
ITEM AR125445	TAXI GUIDANCE SIGN, 5 CHARACTER – PER EACH.
ITEM AR125565	SPLICE CAN – PER EACH.
ITEM AR125470	MODIFY EXISTING SIGN PANEL - PER EACH.
ITEM AR125902	REMOVE BASE MOUNTED LIGHT – PER EACH.
ITEM AR125904	REMOVE TAXI GUIDANCE SIGN – PER EACH.
ITEM AR125915	RELOCATE RGL – PER PAIR.
ITEM AR800038	REMOVE BASE MOUNTED LIGHT (FIXTURE ONLY) – PER EACH.

IDOT DIVISION OF AERONAUTICS POLICY MEMORANDA

State of Illinois
Department of Transportation
Division of Aeronautics

POLICY MEMORANDUM

April 1, 2010

Springfield

Number 96-1

TO: CONSULTING ENGINEERS

SUBJECT: ITEM 610, STRUCTURAL PORTLAND CEMENT CONCRETE:
JOB MIX FORMULA APPROVAL & PRODUCTION TESTING.

- I. This policy memorandum addresses the Job Mix Formula (JMF) approval process and production testing requirements when Item 610 is specified for an airport construction contract.
- II. PROCESS
 - a. The contractor may submit a mix design with recent substantiating test data or he may submit a mix design generated by the Illinois Division of Highways with recent substantiating test data for approval consideration. The mix design should be submitted to the Resident Engineer.
 - b. The Resident Engineer should verify that each component of the proposed mix meets the requirements set forth under Item 610 of the *Standard Specifications for Construction of Airports* and/or the contract special provisions.
 - c. The mix design should also indicate the following information:
 1. The name, address, and producer/supplier number for the concrete.
 2. The source, producer/supplier number, gradation, quality, and SSD weight for the proposed coarse and fine aggregates.
 3. The source, producer/supplier number, type, and weight of the proposed flyash and/or cement.
 4. The source, producer/supplier number, dosage rate or dosage of all admixtures.
 - d. After completion of Items b and c above, the mix with substantiating test data shall be forwarded to the Division of Aeronautics for approval. Once the mix has been approved, the production testing shall be at the rate in Section III as specified herein.

III. PRODUCTION TESTING

- a. One set of cylinders or beams, depending on the strength specified, shall be cast for acceptance testing for each day the mix is used. In addition, at least one slump and one air test shall be conducted for each day the mix is used. If more than 100 c.y. of the mix is placed in a given day, additional tests at a frequency of 1 per 100 c.y. shall be taken for strength, slump, and air. The concrete shall have a maximum slump of three inches (3") and minimum slump of one inch (1") when tested in accordance with ASTM C-143. The air content of the concrete shall be between 5% and 8% by volume. At no time shall the temperature of the concrete exceed 90 degrees Fahrenheit.
- b. If the total proposed amount of Item 610 Structural Portland Cement Concrete as calculated by the Resident Engineer is less than 50 c.y. for the entire project, the following shall apply:
 - The Resident Engineer shall provide calculations of the quantity of Item 610 to the Division of Aeronautics.
 - One set of cylinders or beams, depending on the strength specified, shall be cast for acceptance testing.
 - One air content and one slump test shall be taken for acceptance testing.
 - The concrete shall have a maximum slump of three inches (3") and minimum of one inch (1") when tested in accordance with ASTM C-143. The air content of the concrete shall be between 5% and 8% by volume. At no time shall the temperature of the concrete exceed 90 degrees Fahrenheit.
- c. The Resident Engineer shall collect actual batch weight tickets for every batch of Item 610 concrete used for the project. The actual batch weight tickets shall be kept with the project records and shall be available upon request of the Department of Transportation.

Steven J. Long, P.E.
Acting Chief Engineer

Supersedes Policy Memorandum 96-1 dated January 1, 2004

State of Illinois
Department of Transportation
Division of Aeronautics

POLICY MEMORANDUM

January 1, 2004

Springfield, Illinois

Number 97-2

TO: CONSULTING ENGINEERS

SUBJECT: PAVEMENT MARKING PAINT ACCEPTANCE

I. SCOPE

The purpose of this policy memorandum is to define the procedure for acceptance of pavement marking paint.

II. RESIDENT ENGINEER'S DUTIES

The Resident Engineer shall follow the acceptance procedure outlined as follows:

- A. Require the painting contractor to furnish the name of the paint manufacturer and the batch number proposed for use prior to beginning work. Notify the I.D.A. Materials Certification Engineer when this information is available.
- B. Require the manufacturer's certification before painting begins. Check the certification for compliance to the contract specifications.
 1. The certification shall be issued from the manufacturer and shall include the specification and the batch number.
 2. The paint containers shall have the manufacturer's name, the specification and the batch number matching the certification.
- C. If no batch number is indicated on the certification or containers, sample the paint according to the procedure for the corresponding paint type.
- D. If the I.D.A. Engineer of Materials indicates that batch number has not been previously sampled and tested, sample the paint according to the procedure for the corresponding paint type. The Division of Aeronautics will provide paint cans upon request by the Resident Engineer. Samples will only be taken in new epoxy lined cans so that the paint will not be contaminated. It is important to seal the sample container immediately with a tight cover to prevent the loss of volatile solvents.

Mark the sample cans with the paint color, manufacturer's name, and batch number. The paint samples and manufacturer's certification shall be placed in the mail within 24 hours after sampling. Address the samples to the Materials Certification Engineer at:

Illinois Department of Transportation
Division of Aeronautics
One Langhorne Bond Drive
Springfield, Illinois 62707

Sampling Procedures for Each Paint Type:

1. Waterborne or Solvent Base Paints
 - a. Take the paint sample from the spray nozzle when the contractor begins marking. A sample consists of two one-pint cans taken per batch number.
 - b. Be sure to indicate to the contractor that acceptance of material is based upon a passing test of the paint material.

2. Epoxy Paint
 - a. Take separate one-pint samples of each paint component prior to marking. Before drawing samples, the contents of each component's container must be thoroughly mixed to make certain that any settled portion is fully dispersed. **Do not combine the two components or sample from the spray nozzle.**
 - b. Be sure to indicate to the contractor that acceptance of material is based upon a passing test of the paint material.

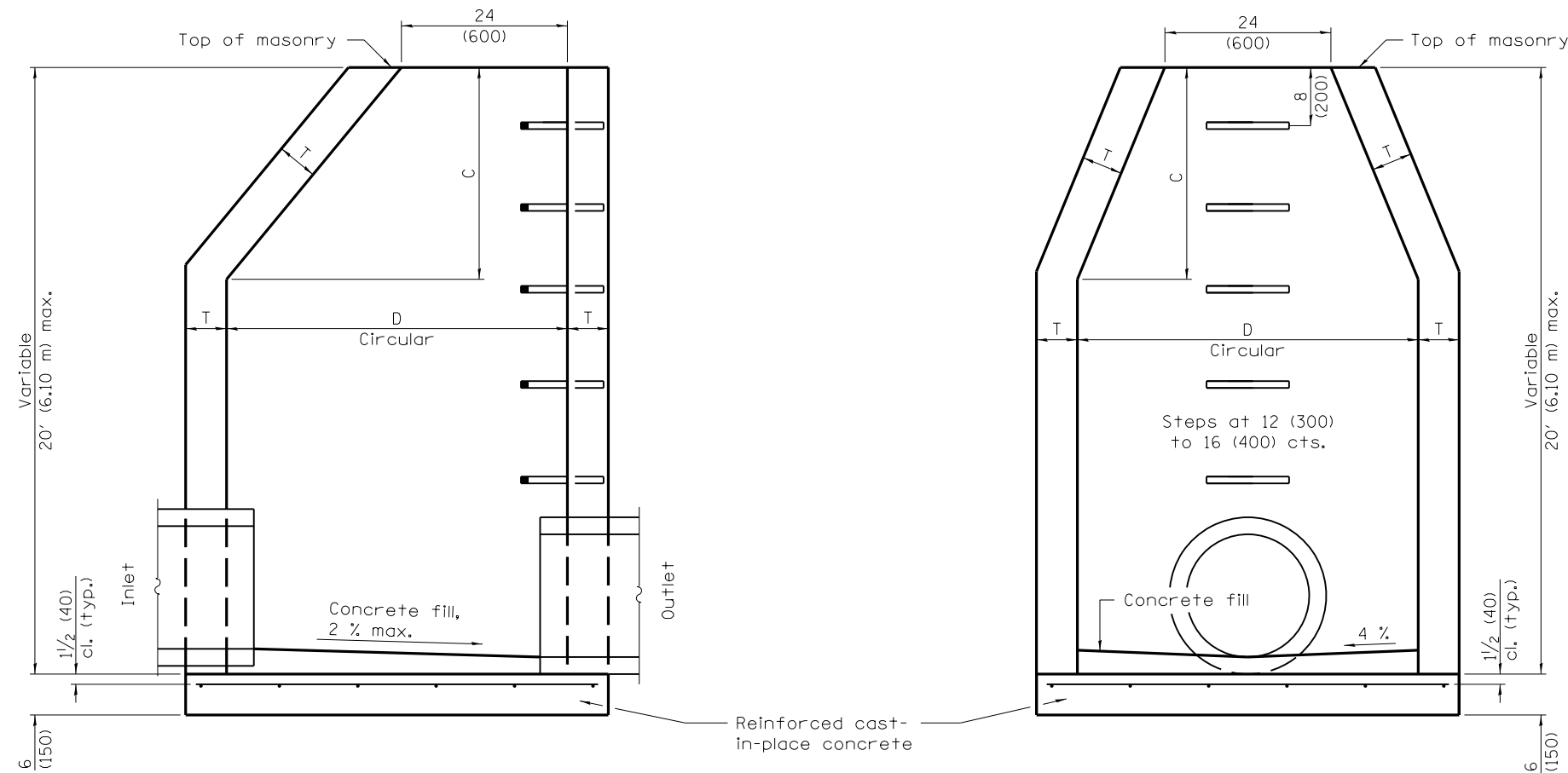
III. TESTING

The paint will be tested for acceptance by the IDOT Bureau of Materials and Physical Research for conformance to the contract specifications.

Steven J. Long, P.E.
Acting Chief Engineer

Supersedes policy memorandum 97-2 dated February 27, 2002

IDOT DESIGN STANDARDS

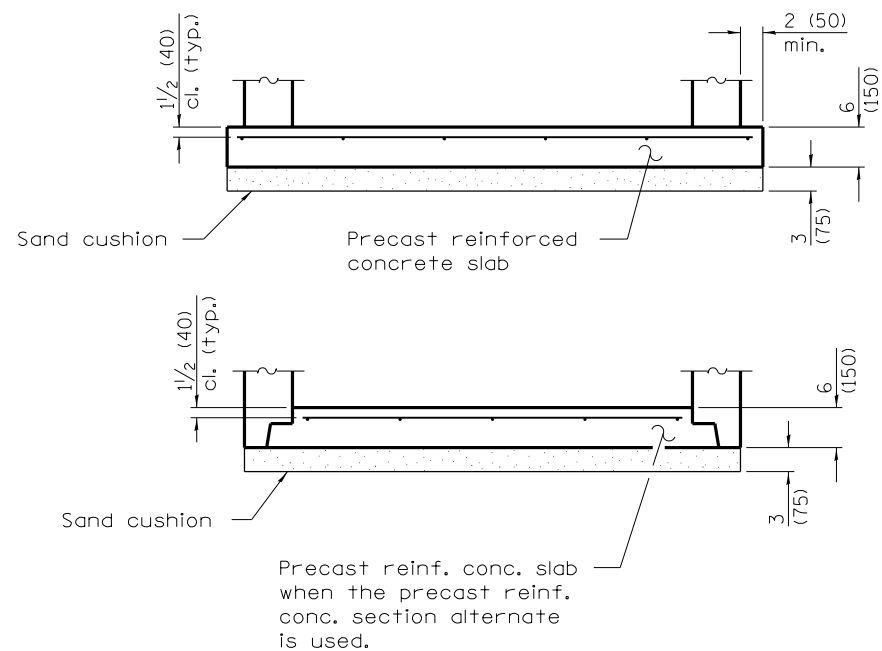


ELEVATION - ECCENTRIC

ELEVATION - CONCENTRIC

ALTERNATE MATERIALS FOR WALLS	D	C*	T (min.)
Concrete Masonry Unit	4'-0" (1.2 m)	30 (750)	5 (125)
	5'-0" (1.5 m)	3'-9" (1.15 m)	5 (125)
Brick Masonry	4'-0" (1.2 m)	30 (750)	8 (200)
	5'-0" (1.5 m)	3'-9" (1.15 m)	8 (200)
Precast Reinforced Concrete Section	4'-0" (1.2 m)	30 (750)	4 (100)
	5'-0" (1.5 m)	3'-9" (1.15 m)	5 (125)
Cast-in-place Concrete	4'-0" (1.2 m)	30 (750)	6 (150)
	5'-0" (1.5 m)	3'-9" (1.15 m)	6 (150)

* For precast reinforced concrete sections, dimension "C" may vary from the dimension given to plus 6 (150).



ALTERNATE BOTTOM SLAB

GENERAL NOTES

Bottom slabs shall be reinforced with a minimum of 0.31 sq. in./ft. (660 sq. mm/m) in both directions with a maximum spacing of 12 (300).

Bottom slabs may be connected to the riser as determined by the fabricator; however, only a single row of reinforcement around the perimeter may be utilized.

See Standard 602701 for details of steps.

See Standard 602601 for optional Precast Reinforced Concrete Flat Slab Top.

All dimensions are in inches (millimeters) unless otherwise shown.

DATE	REVISIONS
1-1-11	Detailed rein. in slabs.
	Added max. limit to height.
	Revised general notes.
1-1-09	Switched units to
	English (metric).

MANHOLE TYPE A

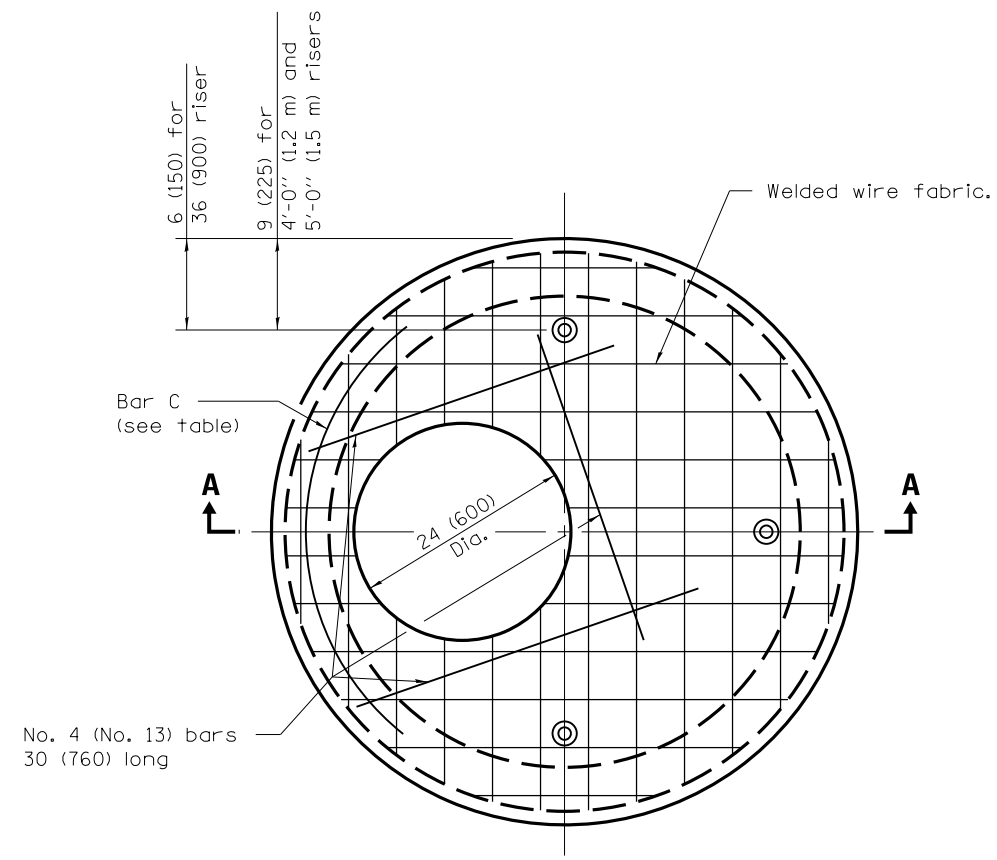
STANDARD 602401-03

Illinois Department of Transportation

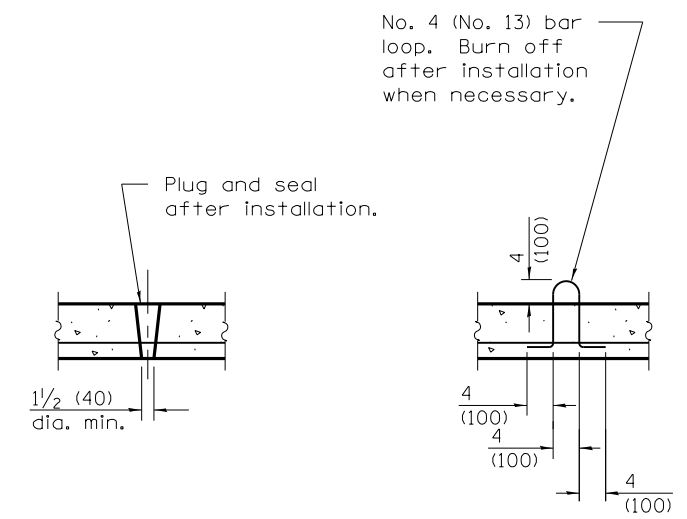
PASSED January 1, 2011
Michael Beard
 ENGINEER OF POLICY AND PROCEDURES

APPROVED January 1, 2011
Scott Schick
 ENGINEER OF DESIGN AND ENVIRONMENT

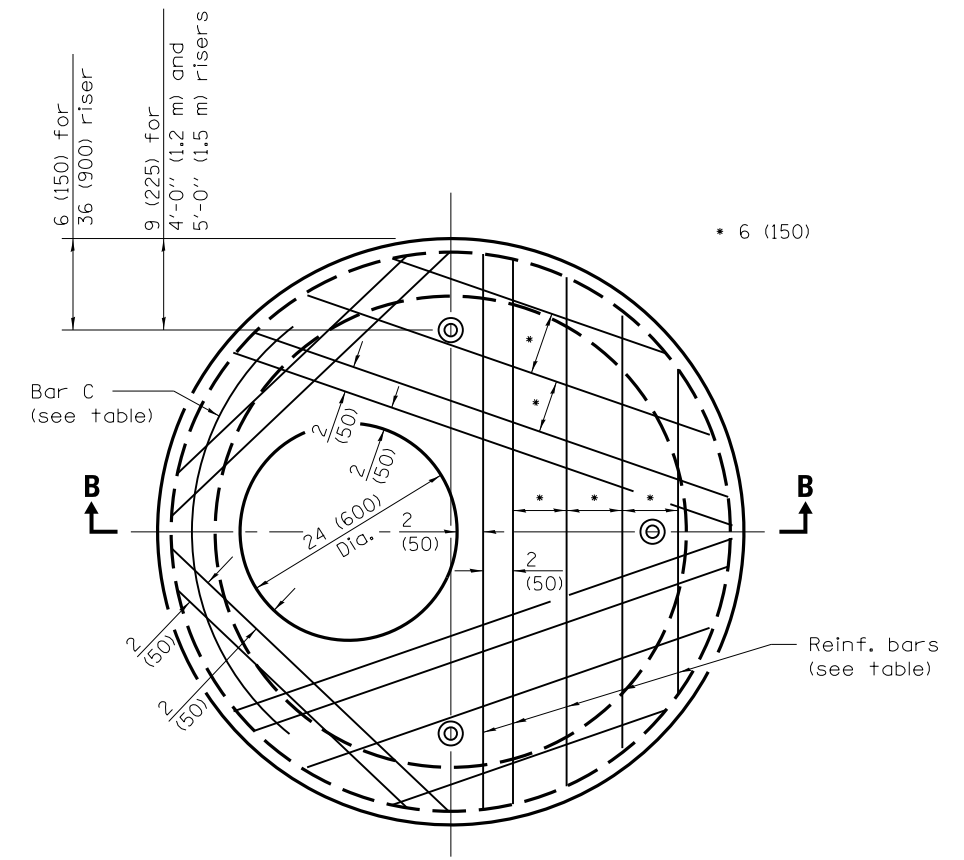
ISSUED 1-1-97



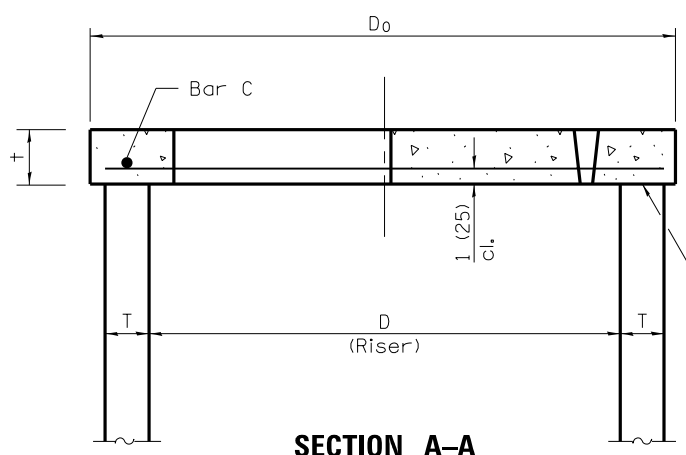
PLAN
(WELDED WIRE FABRIC)



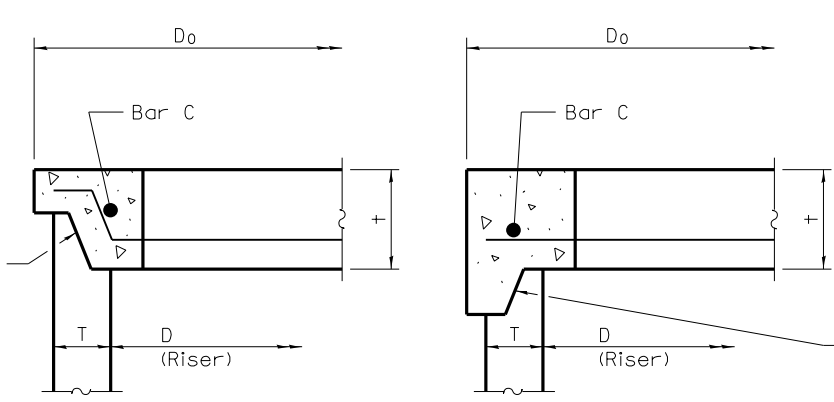
LIFTING HOLE OR LIFTING LOOP
TYPICAL
(3 required per slab)



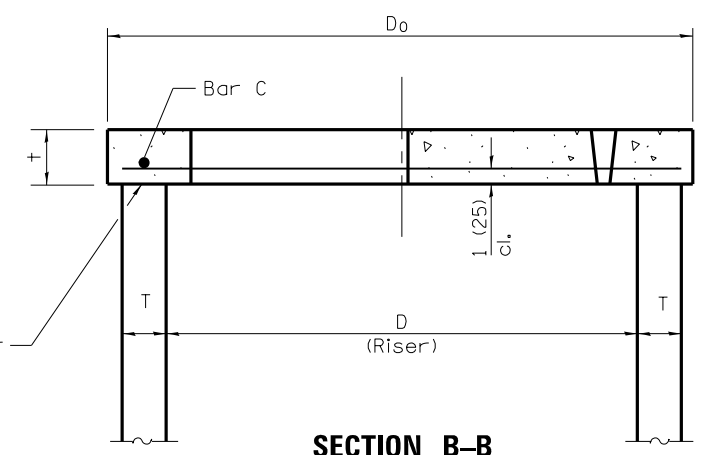
PLAN
(REINFORCEMENT BARS)



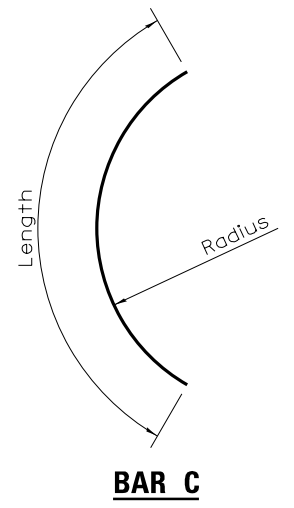
SECTION A-A



ALTERNATE JOINT CONFIGURATIONS



SECTION B-B



TABLE

D	T	D ₀ (min.)	t	Reinforcement		No. 4 (No. 13) Bar C	
				"A _s " W.W.F. each direction	OR Bar size	Length	Radius
36 (900)	See applicable Standards	D + 2T	6 (150)	0.20 sq. in./ft. (425 sq. mm/m)	No. 4 (No. 13)	4'-0" (1.2 m)	19 (480)
4'-0" (1.2 m)				0.35 sq. in./ft. (740 sq. mm/m)	No. 5 (No. 16)	4'-6" (1.35 m)	26 (660)
5'-0" (1.5 m)				0.35 sq. in./ft. (740 sq. mm/m)	No. 5 (No. 16)	5'-0" (1.5 m)	32 (810)

GENERAL NOTES

The flat slab top may be used in lieu of the tapered tops shown on Standards 602001, 602011, 602016, 602306, 602401, or 602501 at the option of the Contractor or when field conditions prohibit the use of tapered tops.

All dimensions are in millimeters (inches) unless otherwise shown.

Illinois Department of Transportation

PASSED January 1, 2009

ENGINEER OF POLICY AND PROCEDURES

APPROVED January 1, 2009

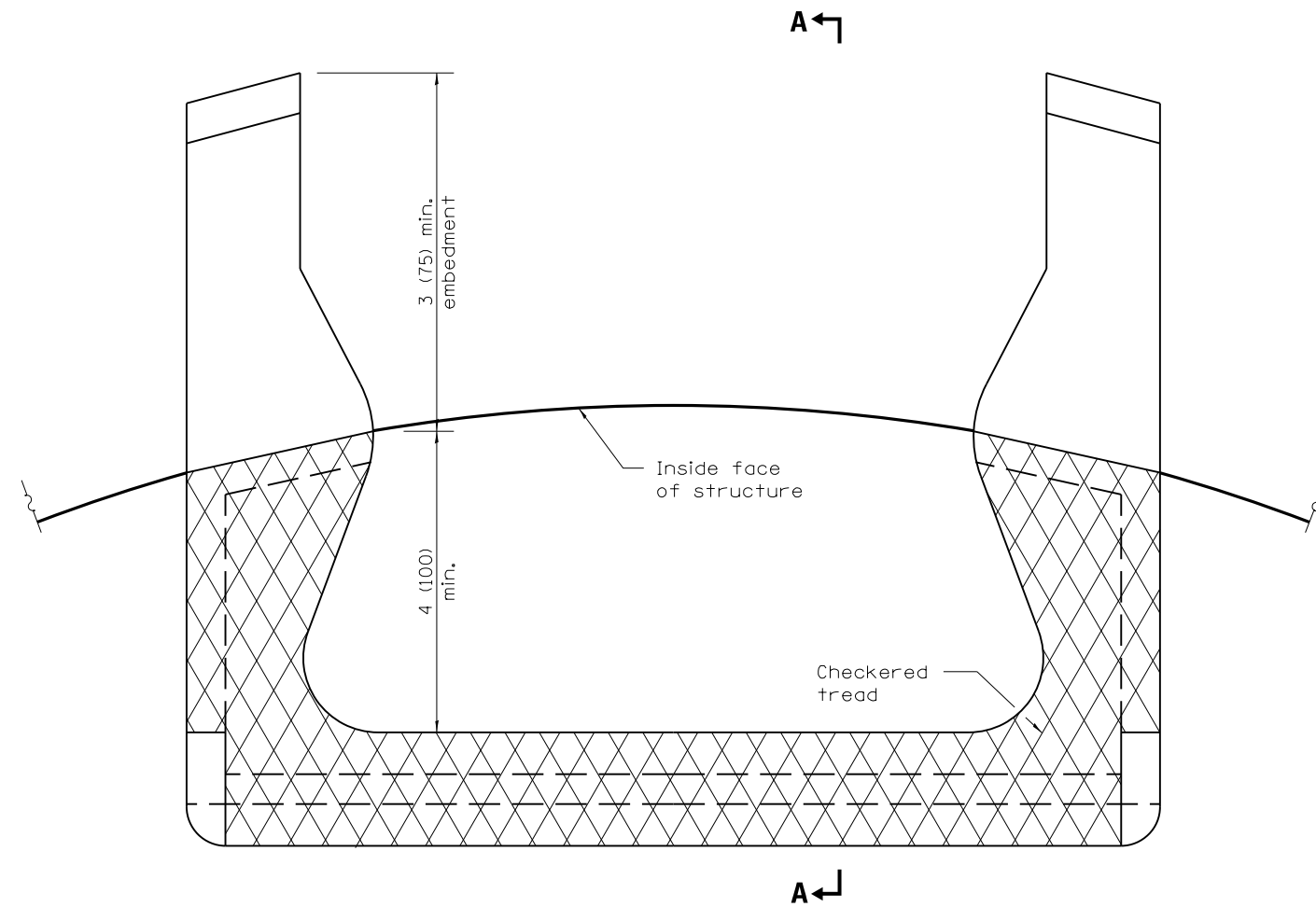
ENGINEER OF DESIGN AND ENVIRONMENT

ISSUED 1-1-97

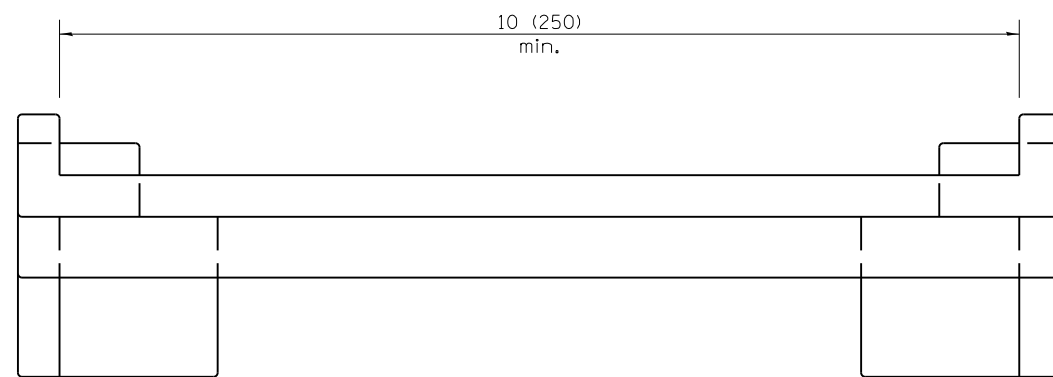
DATE	REVISIONS
1-1-09	Switched units to English (metric).
1-1-07	Soft converted metric reinforcement bars.

**PRECAST REINFORCED
CONCRETE FLAT SLAB TOP**

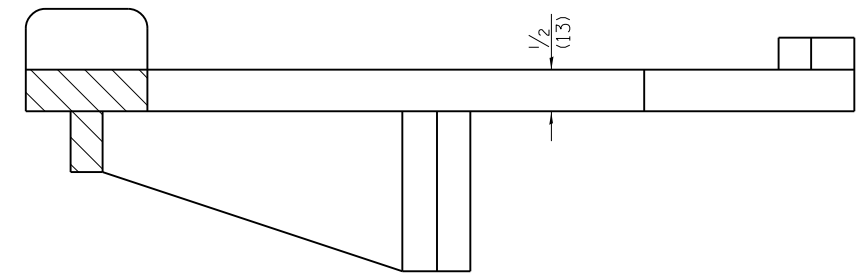
STANDARD 602601-02



PLAN VIEW



ELEVATION VIEW



SECTION A-A

All dimensions are in inches (millimeters) unless otherwise shown.

Illinois Department of Transportation

PASSED January 1, 2009

ENGINEER OF POLICY AND PROCEDURES

APPROVED January 1, 2009

ENGINEER OF DESIGN AND ENVIRONMENT

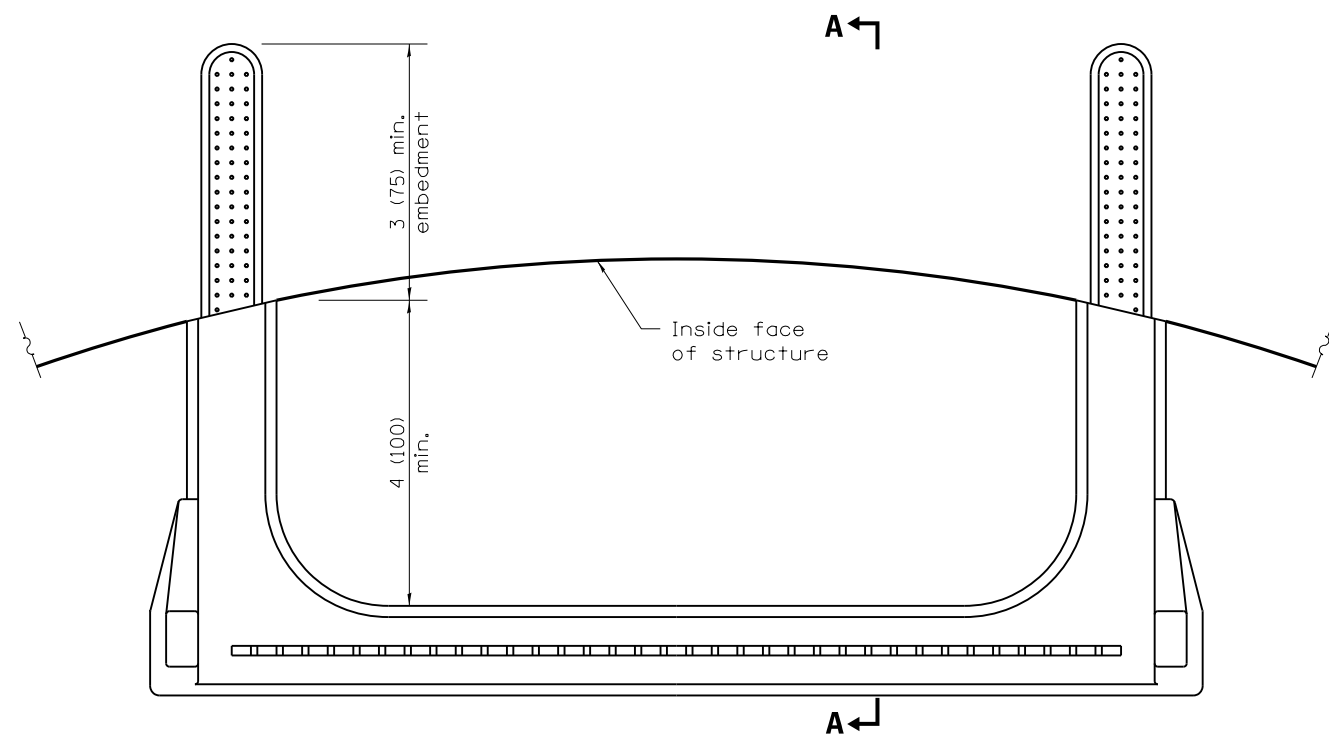
ISSUED 1-1-97

DATE	REVISIONS
1-1-09	Switched units to English (metric).
4-1-06	Revised title, drawings, and added plastic steps on sheet 2.

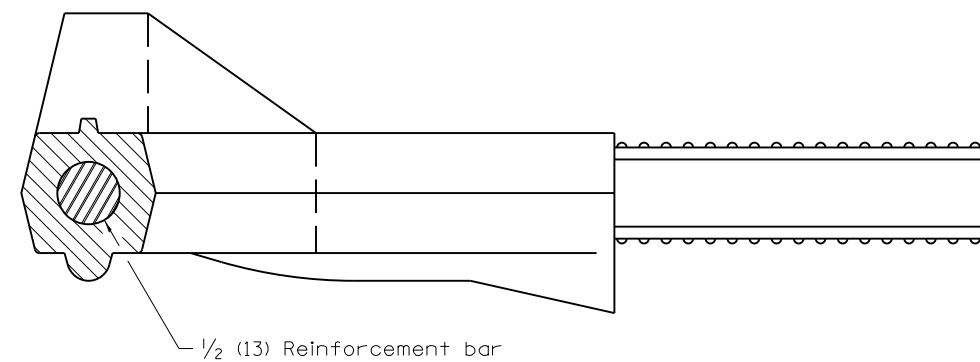
MANHOLE STEPS

(Sheet 1 of 2)

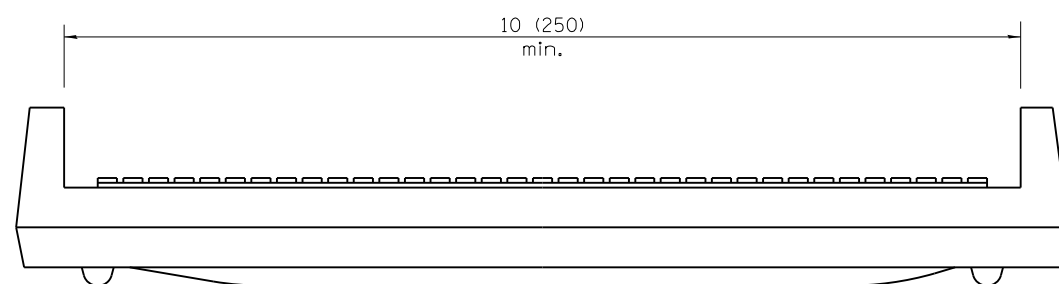
STANDARD 602701-02



PLAN VIEW



SECTION A-A



ELEVATION VIEW

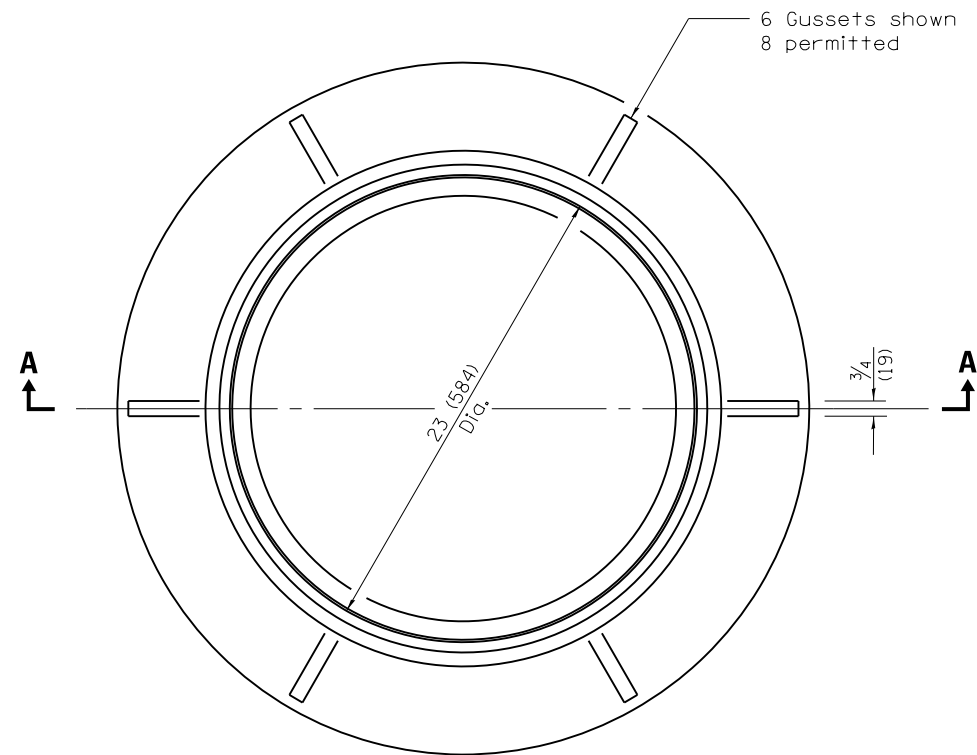
Illinois Department of Transportation
PASSED January 1, 2009
ENGINEER OF POLICY AND PROCEDURES
APPROVED January 1, 2009
ENGINEER OF DESIGN AND ENVIRONMENT

ISSUED 1-1-97

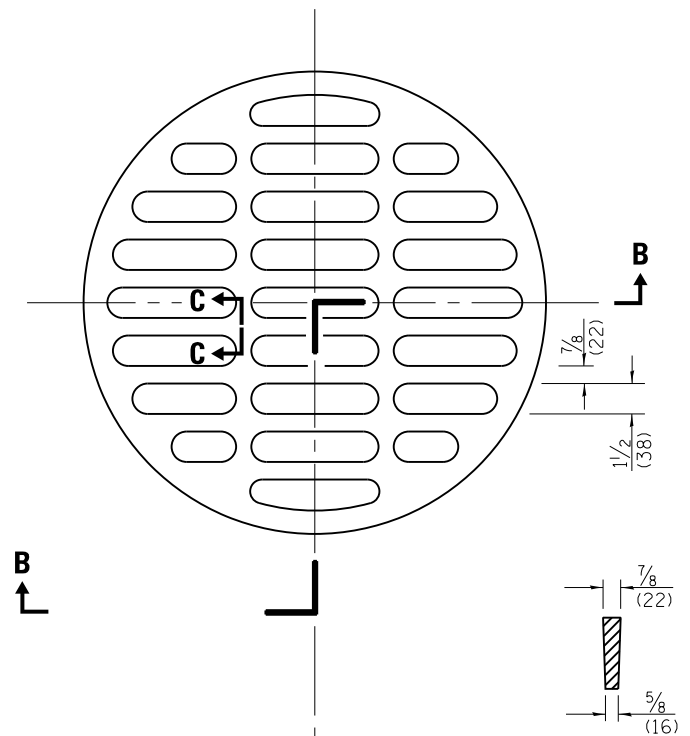
MANHOLE STEPS

(Sheet 2 of 2)

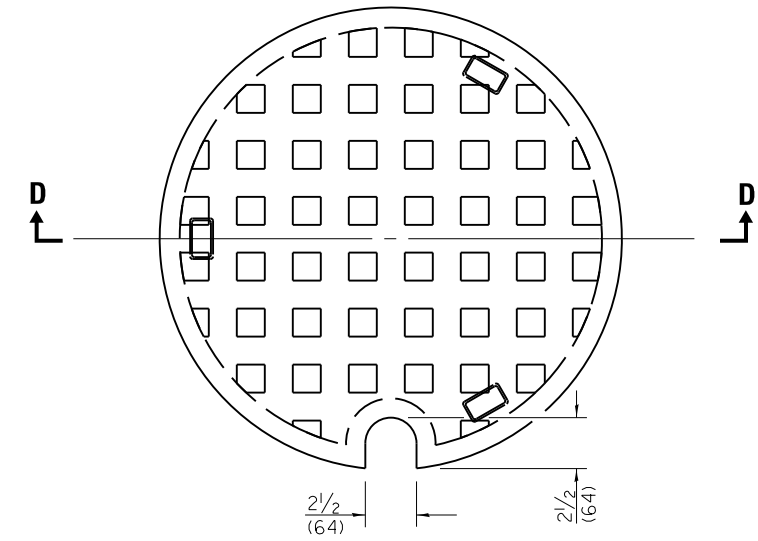
STANDARD 602701-02



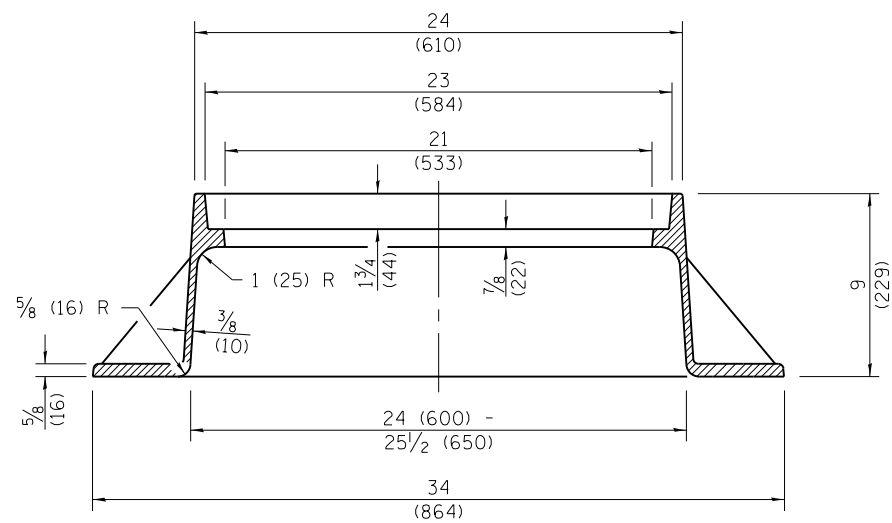
CAST FRAME



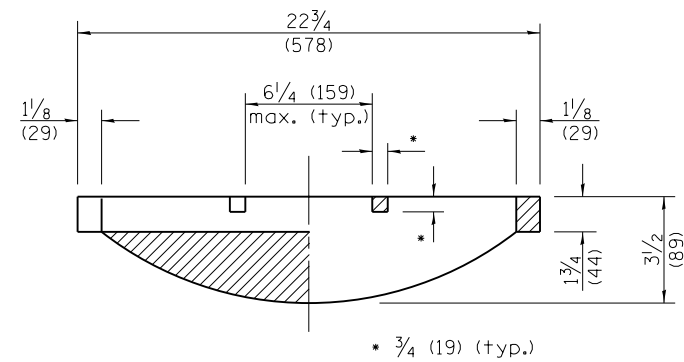
SECTION C-C



SECTION D-D

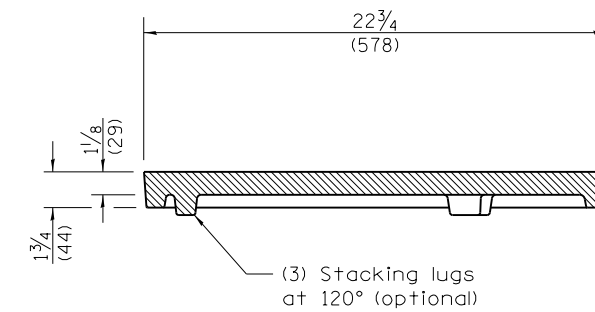


SECTION A-A
Gray Iron



SECTION B-B

CAST OPEN LID



CAST CLOSED LID
Gray Iron Lid

All dimensions are in inches (millimeters)
unless otherwise shown.

Illinois Department of Transportation

PASSED January 1, 2009

ENGINEER OF POLICY AND PROCEDURES

APPROVED January 1, 2009

ENGINEER OF DESIGN AND ENVIRONMENT

ISSUED 1-1-97

DATE	REVISIONS
1-1-09	Switched units to English (metric).
1-1-04	Removed weights.

**FRAME AND LIDS
TYPE 1**

STANDARD 604001-03

BUY AMERICAN REQUIREMENTS



U. S. Department
of Transportation
**Federal Aviation
Administration**

Great Lakes Region
Illinois, Indiana, Michigan
Minnesota, North Dakota,
Ohio, South Dakota,
Wisconsin

2300 East Devon Avenue
Des Plaines, Illinois 60018

REGIONAL GUIDANCE LETTER—AIRPORTS DIVISION

NUMBER: 5100.30

DATE: May 9, 2008

SUBJECT: Airport Improvement Program (AIP) Buy American Requirement in Construction and Equipment Grants

REFERENCES: Title 49 United States Code (USC) (“the Act”), Section 50101
FAA Order 5100.38, “Airport Improvement Program Handbook”
http://www.faa.gov/airports_airtraffic/airports/aip/aip_handbook/

BACKGROUND:

Section 50101 of the Act prohibits the FAA from obligating funds for a grant under the Airport Improvement Program (AIP) unless steel and manufactured goods used in the project are produced in the United States.

This provision was added to the FAA’s authorizing legislation in 1990. The North American Free Trade Agreement (NAFTA) specifically excluded federal grant programs such as AIP. Therefore, NAFTA does not change a Sponsor’s requirement to comply with the Buy American requirement in the Act.

The FAA may waive the requirement if a sponsor submits a written request demonstrating that one of the following criteria applies:

- Applying the provision is not in the public interest. This is reserved for significant public interest determinations;
- The steel or manufactured good is not available in sufficient quantity or satisfactory quality in the United States;
- For AIP grant-funded projects other than ground transportation demonstration projects,
 - the cost of components and subcomponents produced in the United States is more than 60 percent of the cost of all components of the facility or equipment; and
 - final assembly of the facility or equipment has occurred in the United States; or
- Applying this provision would increase the cost of the overall project by more than 25 percent.

As of the date of this Regional Guidance Letter (RGL), a national Program Guidance Letter (PGL) is under development and pending publication. In order to ensure

compliance for grants issued prior to the PGL's final publication, this RGL is intended to provide interim guidance for all AIP-funded construction and equipment grants.

INTERIM REGIONAL POLICY AND PROCEDURES:

All sponsors are reminded that the "Terms and Conditions of Accepting Airport Improvement Program Grants" (dated June 2005) includes a certification in Section II (General Conditions), Subsection J stating that:

Unless otherwise approved by the FAA, it will not acquire or permit any contractor or subcontractor to acquire any steel or manufactured products produced outside the United States to be used for any project for airport development or noise compatibility for which funds are provided under this grant. The sponsor will include in every contract a provision implementing this condition.

As with all required terms and conditions, sponsors are responsible for ensuring that their certifications are complete and accurate. Sponsors are therefore also responsible for determining if they may require a waiver for a particular project. Until the PGL is finalized and published, it shall be the policy of the Great Lakes Region that any sponsor asking the FAA to waive this requirement must do so in writing (see Exhibit A).

Neither the Region nor ADOs are authorized to approve waivers under the first or second criteria above. If the ADO recommends a waiver pursuant to the first or second criteria, they shall forward the request with their recommendation to AGL-610, who will in turn review and relay such requests to APP-500 for adjudication. Sponsors are urged to submit such requests as early as possible, generally providing at least 30 calendar days prior to anticipated grant award.

ADOs and block-grant states are hereby authorized to approve written waiver requests under the third or fourth criteria above. Consistent with other sponsor certifications, the FAA may base its approval entirely on the information provided by the sponsor, without any obligation to conduct independent review, research or verification of the information presented.

The original written request, all supporting documentation and the final waiver must be retained in the grant documentation file or binder.

FAA CERTIFIED EQUIPMENT:

All ADOs, sponsors, consultants and contractors are advised and reminded that FAA certification of equipment for a particular purpose does not necessarily mean that the equipment satisfies the Buy American requirement. The FAA certifies equipment for technical and functional specifications, without regard to how the equipment is funded. When equipment is funded with AIP grants, a number of additional legal and administrative requirements apply, including the Buy American provision.



Jeri Alles
Airports Division Manager
Great Lakes Region

Exhibit A (Request for Waiver of Buy American Requirement)

Airport Sponsor [insert legal name of sponsor]

Official Representative [insert name]

Project Name [insert]

Indicate reason(s) for waiver request. Supporting documentation must be provided for each reason indicated.

- A. Applying the provision is not in the public interest. This is reserved for significant public interest determinations.
- B. The steel or manufactured good is not available in sufficient quantity or satisfactory quality in the United States.
- C. For AIP grant-funded projects other than ground transportation demonstration projects:
 - the cost of components and subcomponents produced in the United States is more than 60 percent of the cost of all components of the facility or equipment; and
 - final assembly of the facility or equipment has occurred in the United States.
- D. Applying this provision would increase the cost of the overall project by more than 25 percent.

Signature

I hereby request a waiver of the Buy American requirements for the reason(s) indicated above. All documentation provided in support of this request is true and complete to the best of my knowledge.

Date

FAA USE ONLY BELOW THIS LINE

Waiver requests based on Criteria A or B above require approval by Headquarters

ADO Recommendation Recommended Not recommended

ADO Manager [insert name]

Signature

Date [insert]

RO Recommendation Recommended Not recommended

610 Branch Manager [insert name]

Signature

Date [insert]

ADO Manager or block-grant state may approve waivers based on Criteria C or D above

Waiver Determination Approved Denied Further information required

ADO Manager [insert]

Signature

Date [insert]



U.S. Department
of Transportation

**Federal Aviation
Administration**

Memorandum

Subject: **ACTION:** Program Guidance Letter 10-02

Date: February 24, 2010

From: Manager, Airports Financial Assistance Division,
APP-500

Reply to Attn. of: Nancy S. Williams
202-267-8822

To: PGL Distribution List

We are issuing this Program Guidance Letter on Buy American requirements.



Frank J. San Martin

Guidance for Buy American on Airport Improvement Program (AIP) or American Recovery and Reinvestment Act (ARRA) projects.

In accepting AIP or ARRA funding, grant recipients are certifying that they will not acquire (or permit any contractor or subcontractor) to use any steel or manufactured products produced outside the United States on any portion of the project for which funds are provided, unless otherwise approved by the FAA. Therefore, for the AIP or ARRA funded portion of a project, grant recipients must either:

1. Certify, in writing, all products are wholly produced in the US of US materials, or
2. Request a waiver to use non-US produced products, or
3. Certify that all equipment that is being used on the project is on the Nationwide Buy American conformance list.

The AIP funded portion of a project includes the grant recipient's local share.

Types of Waivers

There are four types of waivers to Buy American:

1. Public interest waiver;
2. Insufficient quantity AND quality for ARRA (AIP projects allow waivers for insufficient quantity OR quality);
3. 60% or more of the components and subcomponents in the facility or equipment are of US origin and final assembly is in the US; or
4. Applying Buy American increases the cost of the overall project by more than 25%.

Many pieces of equipment are constructed with some non-US produced components or subcomponents. Therefore, it is expected that the majority of grants will have waivers issued unless the project is constructed of materials that already have a nationwide waiver.

Nationwide Waiver

Much of the equipment that is frequently used on AIP or ARRA projects has been reviewed by FAA Headquarters and a nationwide waiver has been issued. The Nationwide Buy American conformance list is posted on the www.faa.gov website at the following address:

http://www.faa.gov/airports/aip/procurement/federal_contract_provisions/
by clicking the tab, "Equipment Meeting Buy American Requirements"

If the equipment is on the nationwide waiver list, no additional waiver is required.

Who can Issue Waivers

Only FAA headquarters may issue waivers for reasons 1 and 2. FAA field offices (Regional Offices and/or Airports District Offices) may issue waivers for reasons 3 and 4.

For block grant state projects, the FAA must issue the waivers. Block grant states are not allowed to issue a waiver.

Defining the Project, Facility and Equipment, and Final Assembly Location in the 60%/US final assembly waiver

The waiver can be considered if “at least 60% of the cost of the components and subcomponents in the **facility or equipment** are produced in the United States and the final assembly of the facility or equipment has occurred in the United States.” The correct application of the terms is discussed below.

Project

The “**Project**” is generally the project that is being bid. The “Project” does not extend over multiple grants or phases, even though the overall project may be phased or may be built in multiple bid packages.

Facility or Equipment

- For a building, the portion of the building that is being funded under the AIP or ARRA grant is the “**facility**” listed in the waiver.
- For other projects, the bid items as described in the latest edition of FAA Advisory Circular 5370-10 will generally be the “**equipment**” referred to in the waiver except for airfield electrical equipment.
- For airfield electrical equipment, the “L-” items listed in the Addendum to FAA Advisory Circular 5345-53C, latest edition will generally be the “**equipment**” referred to in the waiver.
- For a vehicle or single piece of equipment like a snow plow or ARFF vehicle, the single vehicle itself is the “**equipment.**”

Final Assembly Location and Labor Exclusion

Final assembly is the substantial transformation of the various components and subcomponents into the equipment. For a building, the final assembly is actual construction of the building.

- For any project other than a building project, the final assembly location is the location where the equipment is assembled, **not the project site itself.**
- For a building, the final assembly location is the airport building site.

In any calculation of Buy American percentage, the labor for the final assembly is excluded. This is because the Buy American statute is based on the cost of materials and equipment, not labor. For a building, this means that only the costs of the materials as they are delivered to the airport site are considered when calculating US and non-US component and subcomponent costs. For equipment, the costs of the final assembly at the manufacturing site are excluded.

Common Materials that are waived or excluded from Buy American - Cement, Concrete, Asphalt and Steel

Cement and concrete is excluded from the Buy American preference requirements (although the steel used for reinforcement, ties, stirrups, etc. must meet Buy American.)

Asphalt and other petroleum products are waived as an excepted item under AMS Guidance T3.6.4.1.e: Foreign Acquisition – Definitions identifying Asphalt as a petroleum product.

Steel is specifically identified in the statute. Therefore, all rebar and discrete, identifiable steel components must be manufactured in the United States.

FAA Waiver

After the FAA has determined that the final assembly location is in the US and the percent of US components and subcomponents is above 60%, a waiver may be issued. **The waiver is for the single project – not a nationwide waiver.**

What Information is required to Issue a Waiver (AIP and ARRA) and for the Federal Register Notice (ARRA)

For waiver type 3, a waiver can be considered if “at least 60% of the cost of the components and subcomponents in the **facility or equipment** are produced in the United States and the final assembly of the facility or equipment has occurred in the United States.”

Grant recipients must request waivers from FAA in writing, with sufficient supporting information. Grant recipients are responsible for ensuring their waiver request is complete and accurate using project specific information provided directly by the contractor or the contractor’s supplier.

The FAA will conduct its review and approval based on the information provided by the grant recipient.

The information that must be provided for either equipment or for a building:

- Project Number
- Project Name
- Airport Name
- Total Project Cost
- Total Equipment or Bid Item Cost for which the waiver is being requested
- Total Equipment or Bid Item Cost excluding labor for final assembly.

For equipment, the following additional information is required:

- The equipment or bid item for which the waiver is being requested
- The manufacturer and country of origin of the equipment or bid item.
- The location of the final assembly of the equipment or bid item (not the airport site)

- The cost of the US components and subcomponents for the equipment or bid item for which the waiver is being requested
- The cost of the non-US components and subcomponents for the equipment or bid item for which the waiver is being requested
- The resulting percent of US and non-US components

For a building, the following additional information is required:

- The building (called the facility in the Buy American statute) for which the waiver is being requested
- The manufacturer and country of origin of the US and non-US materials that will be used in the building,
- For a building, the location of the final assembly is the airport site
- The cost of the US components and subcomponents for the equipment or bid item for which the waiver is being requested
- The cost of the non-US components and subcomponents for the equipment or bid item for which the waiver is being requested
- The resulting percent of US and non-US components

Grant recipients are urged to submit waiver requests as early as possible.

Waivers that are issued on ARRA projects must be included in a Federal Register notice, which will generally be published on a quarterly basis.

Sample Letter of Approval of Waiver:

When FAA is satisfied that a waiver may be issued based on the 60%/US final assembly criteria, a letter must be written to the airport sponsor approving the waiver. The text of the letter follows.

A copy of the letter must be forwarded to APP-500 along with a copy of the supporting documentation that was submitted by the airport for the waiver. The information used in the letter will be the basis of the Federal Register notice. The Federal Register notice may include copies of the waiver letters or will be a tabular listing of the waivers. Therefore, regions must forward both a *.pdf copy of the signed letter and an editable copy of the letter.

XXXX Airport
 AIP-Project No. X-XX-XXXX-XX
 Project Name
 Waiver of Buy American Requirements

I have reviewed the request for Waiver of Buy American Requirement submitted XXX for the use of XXXXX equipment on the subject project. The information submitted by the airport for:

Item for which waiver is being issued: i.e L-831 Transformers
 Manufacturer:
 Final Assembly Location:

Percent US Components and Subcomponents:

The information submitted satisfies the requirement for waiver of the requirements of the Buy American per 49 USC Section 50101 based on over 60% of the cost of components and subcomponents to be used in the project being produced in the United States.

The waiver is hereby approved for use on this AIP grant project.

Common Misconceptions

- Belief that if a manufacturer is "FAA-certified" that Buy America has been satisfied. This is not true. The FAA certification certifies that technical standards have been met. However, FAA-certified equipment manufactured outside the U.S. does not meet Buy America provisions of the AIP unless a waiver has been issued.
- Misconception that the North America Free Trade Act (NAFTA) exempts equipment manufactured in Mexico or Canada from "Buy America" requirements. This is not true for AIP or ARRA projects.

Text of Buy American statute from 49 United States Code §50101

§ 50101. Buying goods produced in the United States

(a) **Preference.**— The Secretary of Transportation may obligate an amount that may be appropriated to carry out section [106 \(k\)](#), [44502 \(a\)\(2\)](#), or [44509](#), subchapter I of chapter 471 (except section [47127](#)), or chapter 481 (except sections [48102 \(e\)](#), [48106](#), [48107](#), and [48110](#)) of this title for a project only if steel and manufactured goods used in the project are produced in the United States.

(b) **Waiver.**— The Secretary may waive subsection (a) of this section if the Secretary finds that—

- (1) applying subsection (a) would be inconsistent with the public interest;
- (2) the steel and goods produced in the United States are not produced in a sufficient and reasonably available amount or are not of a satisfactory quality;
- (3) when procuring a facility or equipment under section [44502 \(a\)\(2\)](#) or [44509](#), subchapter I of chapter 471 (except section [47127](#)), or chapter 481 (except sections [48102 \(e\)](#), [48106](#), [48107](#), and [48110](#)) of this title—

(A) the cost of components and subcomponents produced in the United States is more than 60 percent of the cost of all components of the facility or equipment; and

(B) final assembly of the facility or equipment has occurred in the United States; or

(4) including domestic material will increase the cost of the overall project by more than 25 percent.

(c) **Labor Costs.**— In this section, labor costs involved in final assembly are not included in calculating the cost of components.

GEOTECHNICAL ENGINEERING REPORT

Geotechnical Engineering Report

Proposed Taxiway K Connector

Quad City International Airport

Moline, Illinois

March 19, 2015

Terracon Project No. 07155012

Prepared for:

Crawford, Murphy & Tilly, Inc.

Aurora, Illinois

Prepared by:

Terracon Consultants, Inc.

Bettendorf, Iowa

terracon.com

Terracon

Environmental



Facilities



Geotechnical



Materials

TABLE OF CONTENTS

	Page
EXECUTIVE SUMMARY	i
1.0 INTRODUCTION	1
2.0 PROJECT INFORMATION	1
2.1 Project Description	1
2.2 Site Location and Description	1
3.0 SUBSURFACE CONDITIONS	2
3.1 Typical Profile	2
3.2 Water Level Observations	2
4.0 RECOMMENDATIONS FOR DESIGN AND CONSTRUCTION	3
4.1 Geotechnical Considerations	3
4.2 Earthwork	3
4.2.1 Site Preparation	3
4.2.2 Engineered Fill Materials Requirements	4
4.2.3 Fill Placement And Compaction Requirements	4
4.2.4 Earthwork Construction Considerations	5
4.3 Pavements	5
4.3.1 Pavement Subgrade Preparation	5
4.3.2 Pavement Subgrade Support Value	6
4.3.3 Pavement Drainage	6
6.0 GENERAL COMMENTS	6
 APPENDIX A – FIELD EXPLORATION	
Exhibit A-1	Field Exploration Description
Exhibit A-2	Boring Location Plan
Exhibits A-3 & A-4	Boring Logs
 APPENDIX B – LABORATORY TESTING	
Exhibit B-1	Laboratory Testing
Exhibit B-2	Laboratory Compaction Characteristics of Soil
Exhibit B-3	California Bearing Ratio of Laboratory-Compacted Soils
Exhibit B-4	Topsoil Analysis Results
 APPENDIX C – SUPPORTING DOCUMENTS	
Exhibit C-1	General Notes
Exhibit C-2	Unified Soil Classification

EXECUTIVE SUMMARY

Information, professional opinions and geotechnical engineering recommendations presented in this report are summarized below:

- Existing fill was present at the boring locations to depths of about 8 and 8½ feet below current grades. Based on our observations at the boring locations, it appears that the fill was placed with compactive effort and that the fill material was likely obtained from the property south of the airport. We believe the fill was placed during site grading of the existing taxiway and runway. It is our understanding that fill operations at the airport were typically observed and tested by the project civil engineer and that the fill was generally compacted in accordance with FAA requirements; however, the results of the field tests performed and the locations of those tests were not provided for our review.
- The recommendations provided in this report are based on the existing fill observed at the boring locations and at the time of our exploration being compacted to at least 90 percent of modified Proctor maximum dry density (ASTM D1557). Although observation and testing during construction of the taxiway connector is recommended by Terracon to help identify areas of unsuitable soils in areas not explored with the borings, these services will not eliminate the risk that lower density fill or other unsuitable materials may remain in place beneath the ramp and affect long-term performance. Please refer to the **Geotechnical Considerations** section of this report (Section 4.1) for further information.
- The recommendations provided in this report are based on the owner accepting the risks associated with supporting the proposed ramp over the existing fill based on the limited subsurface information available.

The professional opinions and recommendations presented in this report are based on evaluation of data developed by testing and observation of discrete samples obtained from the borings. Site subsurface conditions have been inferred from available data, but actual subsurface conditions will only be revealed during construction. So that variations in subsurface conditions, which may affect the design, can be addressed as they are encountered, we recommend that Terracon be retained to provide testing and observation services during construction.

This summary is part of the entire report. The report presents information and additional recommendations not included in the **EXECUTIVE SUMMARY**. The **GENERAL COMMENTS** describe the report limitations.

GEOTECHNICAL ENGINEERING REPORT PROPOSED TAXIWAY K CONNECTOR QUAD CITY INTERNATIONAL AIRPORT MOLINE, ILLINOIS

Terracon Project No. 07155012

March 19, 2015

1.0 INTRODUCTION

Terracon Consultants, Inc. (Terracon) has completed the subsurface exploration for the proposed Taxiway K Connector planned at the Quad City International Airport (QCI) in Moline, Illinois. Two (2) borings extending to depths of about 10 feet below existing grades were performed at the locations staked by Crawford, Murphy & Tilly, Inc. (CMT) and as shown on the Boring Location Plan (Exhibit A-2) in Appendix A. Boring logs (Exhibits A-3 and A-4) are also provided in Appendix A. The purposes of this report are to describe the subsurface conditions encountered at the boring locations, present the test data, and provides professional opinions and recommendations for the following:

- earthwork including site preparation
- suitability of the on-site soils for use as engineered fill
- pavement subgrade preparation
- an estimated modulus of subgrade reaction (k) value
- subsurface drainage

2.0 PROJECT INFORMATION

Terracon's understanding of the project information provided by CMT is discussed in the following tables. Terracon should be contacted if any of the following information is not consistent with the current project plans.

2.1 Project Description

ITEM	DESCRIPTION
Proposed improvement	The project will consist of constructing a new taxiway connector between Taxiway K and Runway 13/31. Plan dimensions of the connector will be about 50 feet by 300 feet.
Construction	A 12-inch thick portland cement concrete (PCC) pavement section is expected over a crushed limestone base.
Grading	A grading plan was not provided, but the maximum fill depth is expected to be less than 3 feet.

2.2 Site Location and Description

ITEM	DESCRIPTION
Location	Runway 13/31, QCI, Moline, Illinois

ITEM	DESCRIPTION
Existing improvements	none in the project area
Current ground cover	grass
Existing topography	Relatively flat with an elevation difference of about 2½ feet between the boring locations.

3.0 SUBSURFACE CONDITIONS

3.1 Typical Profile

Subsurface conditions at each boring location are described on the individual boring logs (Exhibits A-3 and A-4) in Appendix A. The stratification boundaries shown on the boring logs represent the approximate depths where changes in soils types occur. In-situ, the transition between soils is usually gradual. Based on the conditions observed at the boring locations, the stratigraphy can generally be described as follows. Please refer to the boring logs in Appendix A for further information.

Stratum	Approximate Depth to Bottom of Stratum	Material Description	Comments
surface	8 & 12 inches	topsoil	--
1	8 & 8½ feet	sandy lean clay	fill
2 ¹	not determined	fat clay trace shells, sandy lean clay (CH, CL)	medium stiff to very stiff

1. borings terminated in Stratum 2 at depths of about 10 feet

3.2 Water Level Observations

The borings were observed during and after drilling for the presence and level of water. At these times, water was not observed at the boring locations. The absence of water at the boring locations does not necessarily mean the borings terminated above the water table. Longer term readings in cased holes or piezometers would be required to better evaluate subsurface water levels at the site.

Water levels may fluctuate due to seasonal variations in the amount of rainfall, runoff, and other factors not evident at the time the borings were performed. Subsurface water levels during construction or at other times in the future may be different from the levels indicated on the boring logs. Trapped or “perched” water could occur above lower permeability soil layers. Water level fluctuations and perched water should be considered when developing design and construction plans and specifications for the project.

4.0 RECOMMENDATIONS FOR DESIGN AND CONSTRUCTION

4.1 Geotechnical Considerations

Existing fill was present at the boring locations to depths of about 8 and 8½ feet below current grades. Based on our observations at the boring locations, it appears that the fill was placed with compactive effort, and was possibly obtained from airport's property south of Indian Bluff Road. We believe the fill was placed during site grading of the existing taxiway and runway. It is our understanding that fill operations at the airport were typically observed and tested by the project civil engineer and that the fill was generally compacted in accordance with FAA requirements; however, the results of the field tests performed and the locations of those tests were not provided for our review.

The recommendations provided in this report are based on the existing fill, as observed at the boring locations at the time of our exploration, being compacted to at least 90 percent of modified Proctor maximum dry density (ASTM D1557); however, the condition of the existing fill cannot be solely determined by the information obtained at the boring locations. We recommend additional testing be conducted after the site has been stripped to help further evaluate the existing fill. Although the additional observation and testing recommended in this report may help identify areas of unsuitable soils, these services will not eliminate the risk that low density or other unsuitable fill materials may remain in place, which could affect long term performance of the taxiway.

4.2 Earthwork

Earthwork activities for the project should be observed and evaluated by Terracon. The following presents recommendations for site preparation and placement of engineered fill for the project.

4.2.1 Site Preparation

Vegetation, topsoil, organic material and other unsuitable materials should be removed from beneath the proposed taxiway. Stripping depths on the order of 8 to 12 inches are expected to remove the topsoil; however, the topsoil layer could extend to greater depths in areas not explored. Observations and testing should be performed by Terracon during the initial site preparation to help reduce stripping depths. Organic and other unsuitable soils removed during site preparation should not be used as engineered fill.

After removing the topsoil and/or other unsuitable materials, but before placing engineered fill, the exposed soils should be observed and tested by Terracon. Where recommended by Terracon, the subgrade soils should be scarified to a depth of about 9 inches and be compacted as recommended in this report. Scarification and compaction of subgrades will help provide a firmer base for the compaction of new fill sections and in delineating soft or disturbed materials that may exist at shallow depths below grade. If unsuitable materials are observed that cannot

be satisfactorily compacted in place, they should be removed and replaced with engineered fill as discussed in the **Earthwork Construction Considerations** section (Section 4.2.4) of this report.

4.2.2 Engineered Fill Materials Requirements

Engineered fill for the project should meet the following material property requirements:

Fill Type ¹	USCS Classification	Acceptable Location for Placement
Cohesive	CL, CL/ML, ML, ML/CL (LL ≤ 45 and PI ≤ 20)	all locations
Granular	GW, GP, GM, GC, SW, SP, SM, SC	all locations
Unsuitable	CL/CH, CH, MH, OL, OH, PT	non-structural locations

1. Engineered fill should consist of approved materials that are free of organic matter and debris. Frozen material should not be used, and fill should not be placed on a frozen subgrade. A sample of each material type should be submitted to Terracon for evaluation prior to use on this site.

4.2.3 Fill Placement and Compaction Requirements

Item	Description
Fill lift thickness	9 inches or less in loose thickness; thinner lifts will be required when using hand equipment (e.g., jumping jack, vibratory plate compactor, etc.)
Compaction of granular material and cohesive soil ^{1,2}	at least 90% of the material's modified Proctor maximum dry density (ASTM D 1557); the compaction requirement should be increased to 95% within 12 inches of the final pavement subgrade elevation; the recommended compaction effort should extend laterally from each pavement edge at least 8 inches for every foot of fill placed beneath the final subgrade elevation;
Moisture content of cohesive soil	within 2% below to 3% above the material's standard Proctor optimum moisture content at the time of placement and compaction
Moisture content of granular material ³	workable moisture levels

1. We recommend that each lift of fill be tested by Terracon for moisture content and compaction prior to placing additional fill or concrete. If the results of the in-place density tests indicate the specified moisture or compaction requirements have not been met, the area represented by the test should be reworked and retested as required until the specified moisture and compaction requirements are achieved.
2. If the granular material is a coarse sand, gravel or crushed limestone and is of a uniform size, or has a low fines content, compaction comparison to relative density (ASTM D 4253/4254) may be more appropriate.
3. The gradation of a granular material affects its stability and the moisture content required for proper compaction. Moisture levels should be maintained to achieve compaction without bulking during placement or pumping when proofrolled.

4.2.4 Earthwork Construction Considerations

The water contents of the on-site soils may be outside the recommended range for compaction in accordance with the modified Proctor test method. For this reason, adjustments to the on-site soils' water contents should be expected to obtain the degree of compaction recommended in this report.

Care should be taken to avoid disturbance of prepared subgrade soils. The existing and new engineered fill soils can be disturbed, especially by construction traffic. Construction traffic should not operate directly on saturated or low strength soils. If the subgrade becomes saturated, desiccated, or disturbed, the affected materials should either be scarified and compacted or be removed and replaced as previously discussed. Subgrades should be observed and tested by Terracon prior to pavement construction.

As a minimum, excavations should be performed in accordance with OSHA 29 CFR, Part 1926, Subpart P, "Excavations" and its appendices, as well as other applicable codes, and in accordance with any applicable local, state, and federal safety regulations. The contractor should be aware that slope height, slope inclination, and excavation depth should in no instance exceed those specified by these safety regulations. Flatter slopes than those dictated by these regulations may be required depending upon the soil conditions encountered and other external factors. These regulations are strictly enforced and if they are not followed, the owner, contractor, and/or earthwork and utility subcontractor could be liable and subject to substantial penalties. Under no circumstances should the information provided in this report be interpreted to mean that Terracon is responsible for construction site safety or the contractor's activities. Construction site safety is the sole responsibility of the contractor who shall also be solely responsible for the means, methods, and sequencing of the construction operations.

4.3 Pavements

4.3.1 Pavement Subgrade Preparation

Non-uniform subgrades often result in poor pavement performance and local failures relatively soon after pavements are constructed. Depending on the paving equipment used by the contractor, measures may be required to improve subgrade strength to greater depths for support of heavily loaded trucks. Improvements should be made as recommended in the **Earthwork** section (Section 4.2) of this report.

Before paving, and where recommended by Terracon, pavement subgrades should be proofrolled in the presence of a Terracon representative. Proofrolling of the subgrade should help locate soft, yielding, or otherwise unsuitable soil at or just below the exposed subgrade level. Unsuitable areas observed at this time should be improved by scarification and compaction or be removed and replaced with engineered fill. Proofrolling of clay subgrade materials should be accomplished with a fully loaded, tandem-axle dump truck with a minimum gross weight of 25 tons or other equipment providing an equivalent subgrade loading.

4.3.2 Pavement Subgrade Support Value

A California Bearing Ratio (CBR) test was performed on bulk composite sample obtained at Borings 1 and 2 from the depths of about 1 to 5 feet below existing grade. Based on the results of the laboratory test and our experience with similar clay soils in the area, in our opinion, a CBR value of 7 and modulus of subgrade reaction value (k) of 175 pci are appropriate for use in the design of portland cement concrete (PCC) pavements supported on approved subgrades prepared as discussed in this report. The modulus of subgrade reaction value (k) can be increased based on the thickness of any granular/drainable base.

4.3.3 Pavement Drainage

The soils encountered at the boring locations are considered frost susceptible. Even in the absence of shallow groundwater, the use of drainable base and subsurface drains can extend pavement life. We recommend that drains be installed where a granular base is used. The drainable base should be constructed with at least 6 inches of clean, well-graded crushed limestone with less than 6% passing the No. 200 sieve. The drainable base should hydraulically connect to the drains to allow for proper drainage.

Pavements should be sloped to provide rapid drainage of surface water. Water should not be allowed to accumulate on or adjacent to the pavements, since this could saturate the subgrade and contribute to premature pavement deterioration. Periodic maintenance of the pavements will be required. Cracks should be sealed, and areas exhibiting distress should be repaired promptly to help prevent further deterioration. Even with periodic maintenance, some movement and related cracking may still occur and repairs may be required.

6.0 GENERAL COMMENTS

Terracon should be retained to review the final design plans and specifications so comments can be made regarding interpretation and implementation of our geotechnical recommendations in the design and specifications. Terracon also should be retained to provide observation and testing services during grading, excavation, pavement construction and other earth-related construction phases of the project.

The analysis and recommendations presented in this report are based upon the data obtained from the borings performed at the indicated locations and from other information discussed in this report. This report does not reflect variations that may occur between borings, across the site, or due to the modifying effects of construction or weather. The nature and extent of such variations may not become evident until during or after construction. If variations appear, we should be immediately notified so that further evaluation and supplemental recommendations can be provided.

Support of the proposed pavements over existing fill is discussed in this report as an alternative to removal of the fill. Even if the recommendations provided in this report are followed, there is a

Geotechnical Engineering Report

Proposed QCIA Taxiway K Connector ■ Moline, Illinois

March 19, 2015 ■ Terracon Project No. 07155012



risk to the owner that unsuitable material within or buried by the fill will not be discovered which could affect long term performance of the taxiway. This risk cannot be eliminated without removing the fill.

The scope of services for this portion of the project does not include either specifically or by implication any environmental or biological (e.g., mold, fungi, bacteria) assessment of the site or identification or prevention of pollutants, hazardous materials or conditions. If the owner is concerned about the potential for such contamination or pollution, other studies should be undertaken.

This report has been prepared for the exclusive use of our client for specific application to the project discussed and has been prepared in accordance with generally accepted geotechnical engineering practices. No warranties, either express or implied, are intended or made. Site safety, excavation support, and dewatering requirements are the responsibility of others. In the event that changes in the nature, design, or location of the project as outlined in this report are planned, the conclusions and recommendations contained in this report shall not be considered valid unless Terracon reviews the changes and either verifies or modifies the conclusions of this report in writing.

APPENDIX A
FIELD EXPLORATION

Geotechnical Engineering Report

Proposed QCIA Taxiway K Connector ■ Moline, Illinois

March 19, 2015 ■ Terracon Project No. 07155012

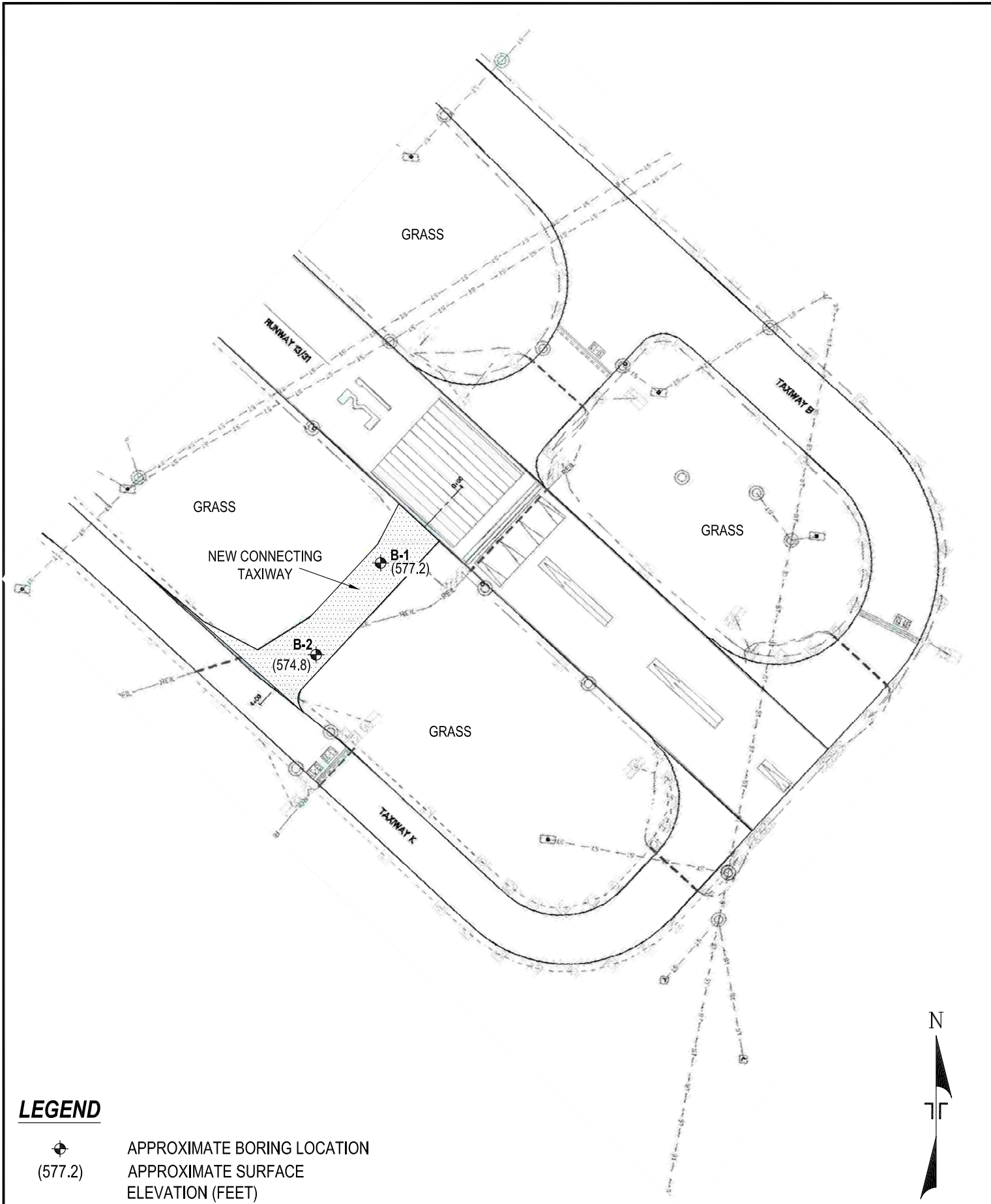


Field Exploration Description


The borings were performed at the locations staked by CMT, and the approximate locations are shown on the Boring Location Plan (Exhibit A-2) in this appendix. The surface elevations at the boring locations were provided by CMT.

The borings were performed with an ATV-mounted, rotary drill rig using continuous flight, solid-stem augers to advance the boreholes. Soil samples were obtained using a split-barrel sampling procedure. In the split-barrel sampling procedure, a standard 2-inch (outside diameter) split-barrel sampling spoon is driven into the ground with a 140-pound Central Mine Equipment (CME) automatic SPT hammer falling a distance of 30 inches. Greater energy efficiency is typically obtained using an automatic SPT hammer as compared to a hammer operated with a cathead and rope. The number of blows required to advance the sampling spoon the last 12 inches of a normal 18-inch penetration is recorded as the Standard Penetration Test (SPT) resistance value and are provided on the boring logs at their depths of occurrence. The blow counts, also referred to as SPT N-values are used to help estimate the consistency of cohesive soils. Bulk samples were obtained from both borings for laboratory testing. The samples were transported to our laboratory for testing and classification. The borings were backfilled with auger cuttings.

The drill crew prepared a field log of each boring to record data, including visual classifications of the materials encountered during drilling and the driller's interpretation of the subsurface conditions between samples. The boring logs included with this report represent the engineer's interpretation of the subsurface conditions at each boring based on field and laboratory data and observations of the samples.



LEGEND

- 
 APPROXIMATE BORING LOCATION
 (577.2) APPROXIMATE SURFACE ELEVATION (FEET)



NOT TO SCALE

THIS DIAGRAM IS FOR GENERAL LOCATION ONLY, AND IS NOT INTENDED FOR CONSTRUCTION PURPOSES

Project Mngr:	WB
Drawn By:	RLW
Checked By:	WB/MRF
Approved By:	WB

Project No.	07155012
Scale:	AS SHOWN
File No.	GEO07155012-2
Date:	MARCH 2015


Terracon
 Consulting Engineers and Scientists

870 40th Avenue Bettendorf, Iowa 52722
 (563) 355-0702 (563) 355-4789

BORING LOCATION PLAN QCIAP TAXIWAY K CONNECTOR QUAD CITY INTERNATIONAL AIRPORT MOLINE, IL

EXHIBIT A-2

BORING LOG NO. 1

PROJECT: Taxiway K Connector

CLIENT: Crawford, Murphy & Tilly, Inc.

SITE: Quad City International Airport
Moline, Illinois

ENGINEER: Crawford, Murphy & Tilly, Inc.

GRAPHIC LOG	LOCATION: Exhibit A-2 Northing: 1739919.35 Easting: 2206191.81 Station: 1+50 Offset: 10' RT Surface Elev.: 577.2 (Ft.)	INSTALLATION DETAILS	DEPTH (Ft.)	WATER LEVEL OBSERVATIONS	SAMPLE TYPE	RECOVERY (in.)	FIELD TEST RESULTS	LABORATORY TORVANE/HP (psf)	SAMPLE NUMBER	UNCONFINED COMPRESSIVE STRENGTH (psf)	WATER CONTENT (%)	DRY UNIT WEIGHT (pcf)
DEPTH	ELEVATION (Ft.)											
0.6	576.5											
TOPSOIL , approx. 8"												
FILL - SANDY LEAN CLAY , dark brown												
trace grass in Sample 3												
8.5	568.5		5		18		5-5-6 N=11		1		19	
					18		4-5-6 N=11		2		19	
					12		3-6-7 N=13		3		16	
10.0	567		10		18		4-7-8 N=15		4		15	
Boring Terminated at 10 Feet												

Stratification lines are approximate. In-situ, the transition may be gradual.

Hammer Type: Automatic

Advancement Method:
Continuous Flight Auger

See Exhibit A-1 for description of field procedures
See Appendix B for description of laboratory procedures and additional data (if any).
See Appendix C for explanation of symbols and abbreviations.

Notes:

Abandonment Method:
Auger Cuttings

WATER LEVEL OBSERVATIONS

None while drilling
None after drilling



Boring Started: 2/23/2015

Boring Completed: 2/23/2015

Drill Rig: 748

Driller: RP

Project No.: 07155012

Exhibit: A-3

THIS BORING LOG IS NOT VALID IF SEPARATED FROM ORIGINAL REPORT. GEO SMART LOG-WELL 07155012 - QUAD CITY INTERNATIONAL.GPJ TERRACON2012.GDT 3/19/15

BORING LOG NO. 2

PROJECT: Taxiway K Connector

CLIENT: Crawford, Murphy & Tilly, Inc.

SITE: Quad City International Airport
Moline, Illinois

ENGINEER: Crawford, Murphy & Tilly, Inc.

GRAPHIC LOG	LOCATION: Exhibit A-2 Northing: 1739800.43 Easting: 2206100.37 Station: 3+00 Offset: 10' LT Surface Elev.: 574.8 (Ft.)	INSTALLATION DETAILS	DEPTH (Ft.)	WATER LEVEL OBSERVATIONS	SAMPLE TYPE	RECOVERY (in.)	FIELD TEST RESULTS	LABORATORY TORVANE/HP (psf)	SAMPLE NUMBER	UNCONFINED COMPRESSIVE STRENGTH (psf)	WATER CONTENT (%)	DRY UNIT WEIGHT (pcf)
1.0	574											
8.0	567											
9.0	566											
10.0	565											
Boring Terminated at 10 Feet												

Stratification lines are approximate. In-situ, the transition may be gradual.

Hammer Type: Automatic

Advancement Method:
Continuous Flight Auger

See Exhibit A-1 for description of field procedures
See Appendix B for description of laboratory procedures and additional data (if any).
See Appendix C for explanation of symbols and abbreviations.

Notes:

Abandonment Method:
Auger Cuttings

WATER LEVEL OBSERVATIONS

None while drilling
None after drilling



Boring Started: 2/23/2015

Boring Completed: 2/23/2015

Drill Rig: 748

Driller: RP

Project No.: 07155012

Exhibit: A-4

THIS BORING LOG IS NOT VALID IF SEPARATED FROM ORIGINAL REPORT. GEO SMART LOG-WELL 07155012 - QUAD CITY INTERNATIONAL.GPJ TERRACON2012.GDT 3/19/15

APPENDIX B
LABORATORY TESTING

Geotechnical Engineering Report

Proposed QCIA Taxiway K Connector ■ Moline, Illinois

March 19, 2015 ■ Terracon Project No. 07155012



Laboratory Testing

Soil samples were tested in the laboratory to measure their natural water contents (ASTM D2216), which are provided on the boring logs (Exhibits A-3 and A-4) in Appendix A. The soil samples were also classified in the laboratory based on visual observation, texture and plasticity in general accordance with ASTM D2487. The soil descriptions and estimated group symbols presented on the boring logs are in general accordance with the Unified Soil Classification System (USCS) and the General Notes in Appendix C (Exhibit C-1). A summary of the USCS is also included in Appendix C (Exhibit C-2).

Atterberg limits (ASTM D4318), a modified Proctor moisture-density relationship (ASTM D1557), the percent passing a No. 200 sieve (ASTM C117) and a California Bearing Ratio (CBR) test (ASTM D1883) were performed on a composite bulk sample obtained from the depth interval of about 1 to 5 feet at Borings 1 and 2. The results of these tests are provided in Exhibits B-2 and B-3 in this appendix.

Procedural standards noted above are for reference to methodology in general. In some cases variations to methods are applied as a result of local practice or professional judgment.

A composite sample of the topsoil obtained from between the depths of about 0 and 8 inches at Borings 1 and 2 were analyzed for percent organic content, the percent of material passing a No. 200 sieve, pH, and basic chemical analysis for grass growth. As appropriate, the topsoil tests were performed in general accordance with *Section 905 Topsoiling and for Turf Establishment in accordance with Section 901 Seeding of the Illinois Department of Transportation Division of Aeronautics Standard Specifications for construction of Airports*. Please refer to Exhibit B-4 in this appendix for the results of these tests.

Laboratory Compaction Characteristics of Soil

870 40th Avenue
Bettendorf, Iowa
(563) 355-0702

Client Name: Crawford, Murphy & Tilly, Inc

Project No.: 07155012 Date: 3/5/2015

Project Name: Taxiway K Connector

Location: Quad City International Airport

Moline, Illinois

Source Material: Composite sample Borings 1 & 2, Depths 1 to 5 feet

Sample Description: Sandy lean clay, brown (CL)

TEST RESULTS

Maximum Dry Unit Wt.: 126.7 pcf
Optimum Water Content: 10.1 %

Material Designation: A Sample date: 2/23/2015

Liquid Limit: 29 Plastic Limit: 16

Test Method: ASTM D-1557

Plasticity Index: 13

Test Procedure: A

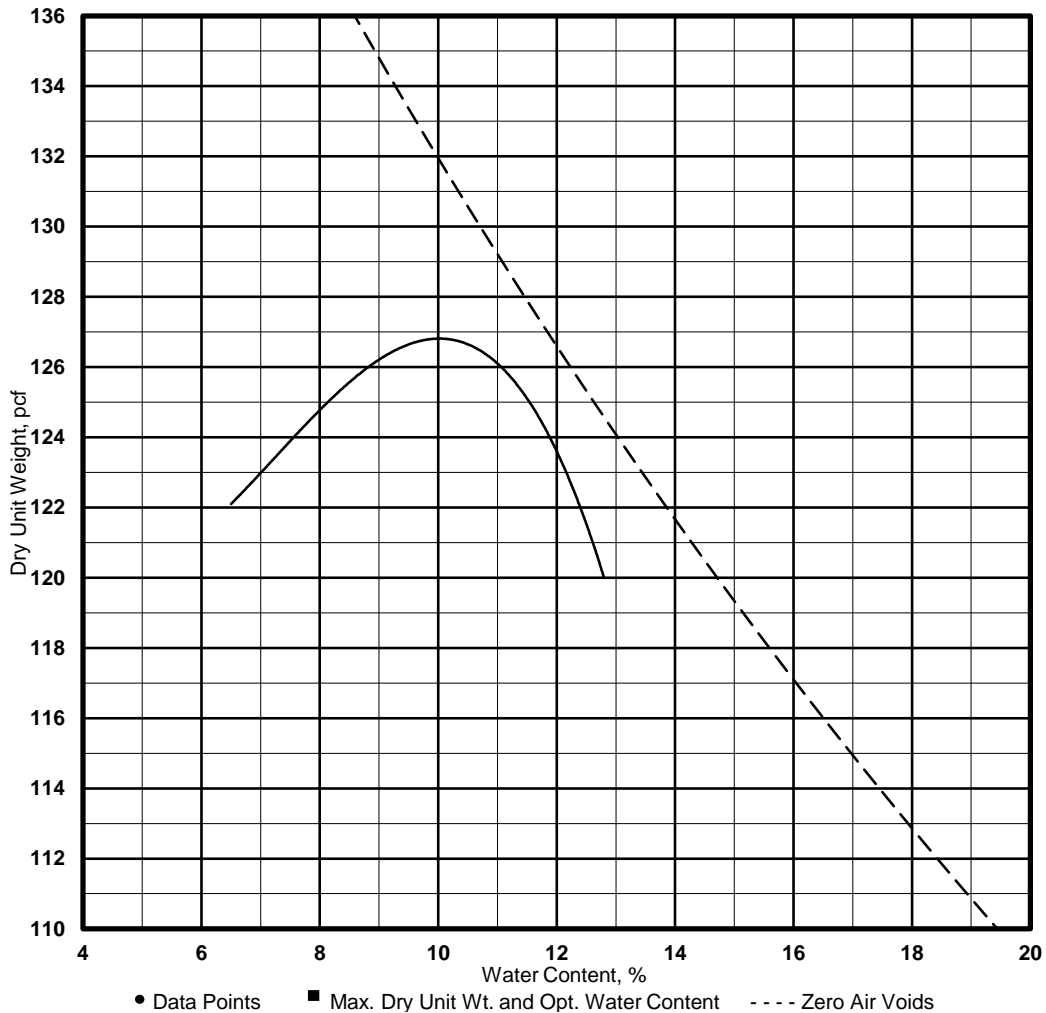
% passing # 200 sieve: 60

Sample Preparation: Moist

Rammer: Mechanical Manual

Reviewed by: TLM

Zero air voids for specific gravity of 2.68



California Bearing Ratio of Laboratory-Compacted Soils



Report Number: 07155012.0000
Service Date: 03/05/15
Report Date: 03/13/15
Task:

870 40th Avenue
Bettendorf, Iowa 52722
Ph. 563.355.0702; Fx 563.355.4789

Client

Crawford, Murphy & Tilly, Inc.

Project

Taxiway K connector
Quad City International Airport
Moline, Illinois

Project No. 07155012

SAMPLE INFORMATION

Sample Number:	<u>Bulk</u>	Proctor Method:	<u>ASTM D1557 - Method A</u>
Boring Number:	<u>Composite sample Borings 1 & 2</u>	Maximum Dry Density (pcf):	<u>126.7</u>
Sample Location:	<u></u>	Optimum Moisture:	<u>10.1</u>
Depth:	<u>1 to 5 feet</u>	Liquid Limit:	<u>29</u>
Material Description:	<u>Sandy lean clay, brown (CL)</u>	Plasticity Index:	<u>13</u>

CBR TEST DATA

CBR Value at 0.100 inch NA
CBR Value at 0.200 inch 7.7

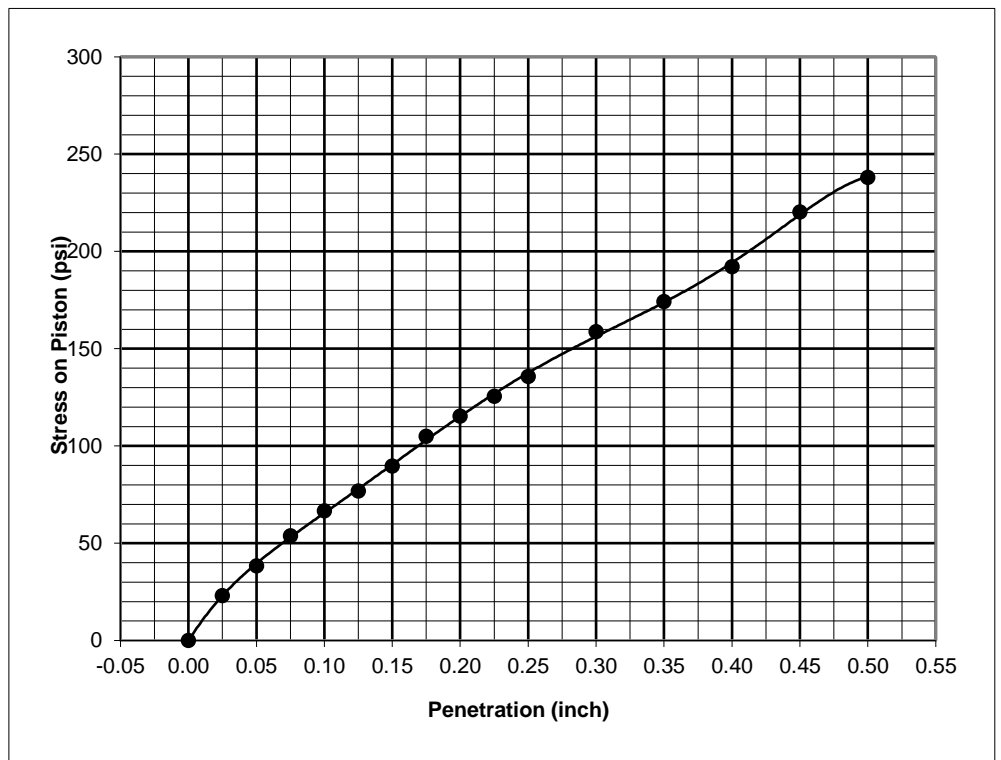
Surcharge Weight (lbs) 60
Soaking Condition Soaked
Length of Soaking (hours) 96
Swell (%) 0.2

DENSITY DATA

Dry Density Before Soaking (pcf) 121.3
Compaction of Proctor (%) 95.7

MOISTURE DATA

Before Compaction (%) 12.8
After Compaction (%) 12.8
Top 1" After Soaking (%) 12.9
Average After Soaking (%) 12.9



Comments:

Test Methods: ASTM D1883

Services:

Terracon Rep:

Reported To:

Contractor:

Report Distribution

Started:

Finished:

Reviewed by: _____



Servi-Tech Laboratories

1816 E. Wyatt Earp • PO Box 1397 • Dodge City, KS 67801
www.servitechlabs.com

Phone: 620.227.7123

800.557.7509

Fax: 620.227.2047


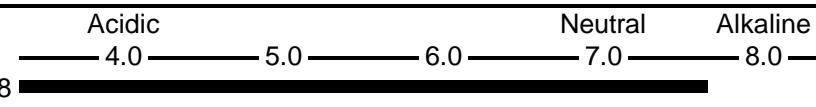

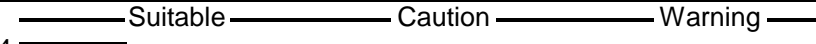
Lab No.: 62540		SOIL ANALYSIS RESULTS			Date Reported: 03/10/2015						
Send To: 11177		TERRACON 870 40TH AVE BETTENDORF, IA 52722			 Steve Harrold Technical Coordinator						
Results For: Field ID: Sample Identification:		QC AIRPORT 07155012 B1&2 TAXIWAY K CONNECTOR 07155012B1&2		Invoice No.: 197793 Date Received: 03/02/2015 Sample Depth: 0-8"							
LAWN - COOL SEASON											
Organic Carbon, %		2.2									
Organic Matter, %		3.8									
Soil pH		7.8									
											
Nitrate Nitrogen (NO3-N), mg/kg		1									
Phosphorus (P), mg/kg		32									
Potassium (K), mg/kg		118									
Sulfur (S), mg/kg		17									
Calcium (Ca), mg/kg		2903									
Magnesium (Mg), mg/kg		363									
Sodium (Na), mg/kg		13									
Zinc (Zn), mg/kg		1.4									
Iron (Fe), mg/kg		47									
Manganese (Mn), mg/kg		24									
Copper (Cu), mg/kg		1.3									
Soluble Salts (EC), mmho/cm		0.24									
Excess Lime		LO									
ASTM Method D 5268											
Compositional Category		Typical percent by Mass		Actual percent by Mass							
Total Sample:											
Deleterious Material (rocks, gravel, slag, cinder, roots, sod)		5 max		4.0							
Material passing through No. 4 (4.75 mm) sieve:											
Organic Matter		2 to 10		4.7							
Sand content		20 to 60		48.0							
Silt and Clay content		35 to 70		47.3							
Cation Exchange Information:		<u>% H</u>		<u>% K</u>		<u>% Ca</u>		<u>% Mg</u>		<u>% Na</u>	
CEC = 18 meq/100g		0		2		81		17		0	

Exhibit B-4




Servi-Tech Laboratories

1816 E. Wyatt Earp • PO Box 1397 • Dodge City, KS 67801
www.servitechlabs.com

Phone: 620.227.7123

800.557.7509

Fax: 620.227.2047

Lab No.: 62540		SOIL ANALYSIS RESULTS		Date Reported: 03/10/2015
Send To: 11177	TERRACON 870 40TH AVE BETTENDORF, IA 52722	 Steve Harrold Technical Coordinator		
Results For:	QC AIRPORT 07155012 B1&2	Invoice No.:	197793	
Field ID:	TAXIWAY K CONNECTOR	Date Received:	03/02/2015	
Sample Identification:	07155012B1&2	Sample Depth:	0-8"	

Fertilizer Recommendations LAWN - COOL SEASON
(lbs. per 1000 Sq. Ft)

Nitrogen	3.4
Phosphorus (P ₂ O ₅)	0.3
Potassium (K ₂ O)	1.3
Zinc	0.0
Sulfur	0.0
Manganese	0.0
Copper	0.0
Magnesium	0.0

BLUEGRASS & RYEGRASS: Suggested mowing heights: SPRING = 2", SUMMER 3", FALL = 2"

EXCESS LIME: Applying 2 to 4 lb of elemental sulfur or 15 to 25 lb. of aluminum sulfate per 1000 sq. ft. can help lower soil pH and reduce iron chlorosis problem, but excess material can increase likelihood of problems from soluble salts or aluminum toxicity. Apply material in early fall and water well during growing season. Soil test the following summer to monitor change in soil pH.

FESCUE: Suggested mowing heights: SPRING = 2.5", SUMMER = 3.5", FALL = 2.5"

NITROGEN SUGGESTIONS - COOL SEASON GRASSES: Apply about 1 lb. of recommended nitrogen (N) in late spring. Apply half of remaining N recommendation in late summer, other half in late fall. To obtain 1 lb of actual N, apply: 3 to 4 lb of 34-0-0, 5 lb of 20-0-0, 10 lb of 10-0-0, or similar grade fertilizers.












PHOSPHATE & POTASH: To calculate fertilizer rate, divide the recommended nutrient rate by the percentage analysis of the fertilizer. For example, if 1.5 lb of the nutrient is recommended and the fertilizer analysis is 8%, then apply 19 lb. of the fertilizer material (1.5 divided by 8% = 18.75 lb).

TURF WATER MANAGEMENT: Soak the soil deeply when watering. Water during the day to avoid disease problems. Apply a minimum of 1 inch of water per irrigation for best results. SPRING - Water once every 12 to 20 days; SUMMER - Water once every 4 to 7 days as needed; FALL - Water once every 15 to 20 days.

APPENDIX C
SUPPORTING DOCUMENTS

GENERAL NOTES

DESCRIPTION OF SYMBOLS AND ABBREVIATIONS

SAMPLING			WATER LEVEL		Water Initially Encountered	FIELD TESTS	(HP) Hand Penetrometer	
	Auger	Split Spoon			Water Level After a Specified Period of Time		(T) Torvane	
					Water Level After a Specified Period of Time		(b/f) Standard Penetration Test (blows per foot)	
	Shelby Tube	Macro Core		Water levels indicated on the soil boring logs are the levels measured in the borehole at the times indicated. Groundwater level variations will occur over time. In low permeability soils, accurate determination of groundwater levels is not possible with short term water level observations.			(PID) Photo-Ionization Detector	
							(OVA) Organic Vapor Analyzer	
Ring Sampler	Rock Core							
								
Grab Sample	No Recovery							

DESCRIPTIVE SOIL CLASSIFICATION

Soil classification is based on the Unified Soil Classification System. Coarse Grained Soils have more than 50% of their dry weight retained on a #200 sieve; their principal descriptors are: boulders, cobbles, gravel or sand. Fine Grained Soils have less than 50% of their dry weight retained on a #200 sieve; they are principally described as clays if they are plastic, and silts if they are slightly plastic or non-plastic. Major constituents may be added as modifiers and minor constituents may be added according to the relative proportions based on grain size. In addition to gradation, coarse-grained soils are defined on the basis of their in-place relative density and fine-grained soils on the basis of their consistency.

LOCATION AND ELEVATION NOTES

Unless otherwise noted, Latitude and Longitude are approximately determined using a hand-held GPS device. The accuracy of such devices is variable. Surface elevation data annotated with +/- indicates that no actual topographical survey was conducted to confirm the surface elevation. Instead, the surface elevation was approximately determined from topographic maps of the area.

STRENGTH TERMS	RELATIVE DENSITY OF COARSE-GRAINED SOILS (More than 50% retained on No. 200 sieve.) Density determined by Standard Penetration Resistance Includes gravels, sands and silts.			CONSISTENCY OF FINE-GRAINED SOILS (50% or more passing the No. 200 sieve.) Consistency determined by laboratory shear strength testing, field visual-manual procedures or standard penetration resistance		
	Descriptive Term (Density)	Standard Penetration or N-Value Blows/Ft.	Ring Sampler Blows/Ft.	Descriptive Term (Consistency)	Unconfined Compressive Strength, Qu, psf	Standard Penetration or N-Value Blows/Ft.
Very Loose	0 - 3	0 - 6	Very Soft	less than 500	0 - 1	< 3
Loose	4 - 9	7 - 18	Soft	500 to 1,000	2 - 4	3 - 4
Medium Dense	10 - 29	19 - 58	Medium-Stiff	1,000 to 2,000	4 - 8	5 - 9
Dense	30 - 50	59 - 98	Stiff	2,000 to 4,000	8 - 15	10 - 18
Very Dense	> 50	≥ 99	Very Stiff	4,000 to 8,000	15 - 30	19 - 42
			Hard	> 8,000	> 30	> 42

RELATIVE PROPORTIONS OF SAND AND GRAVEL

<u>Descriptive Term(s) of other constituents</u>	<u>Percent of Dry Weight</u>
Trace	< 15
With	15 - 29
Modifier	> 30

RELATIVE PROPORTIONS OF FINES

<u>Descriptive Term(s) of other constituents</u>	<u>Percent of Dry Weight</u>
Trace	< 5
With	5 - 12
Modifier	> 12

GRAIN SIZE TERMINOLOGY

<u>Major Component of Sample</u>	<u>Particle Size</u>
Boulders	Over 12 in. (300 mm)
Cobbles	12 in. to 3 in. (300mm to 75mm)
Gravel	3 in. to #4 sieve (75mm to 4.75 mm)
Sand	#4 to #200 sieve (4.75mm to 0.075mm)
Silt or Clay	Passing #200 sieve (0.075mm)

PLASTICITY DESCRIPTION

<u>Term</u>	<u>Plasticity Index</u>
Non-plastic	0
Low	1 - 10
Medium	11 - 30
High	> 30

UNIFIED SOIL CLASSIFICATION SYSTEM

Criteria for Assigning Group Symbols and Group Names Using Laboratory Tests ^A				Soil Classification			
				Group Symbol	Group Name ^B		
Coarse Grained Soils: More than 50% retained on No. 200 sieve	Gravels: More than 50% of coarse fraction retained on No. 4 sieve	Clean Gravels: Less than 5% fines ^C	$Cu \geq 4$ and $1 \leq Cc \leq 3$ ^E	GW	Well-graded gravel ^F		
		Gravels with Fines: More than 12% fines ^C	Fines classify as ML or MH	GP	Poorly graded gravel ^F		
			Fines classify as CL or CH	GM	Silty gravel ^{F,G,H}		
		Sands: 50% or more of coarse fraction passes No. 4 sieve	Clean Sands: Less than 5% fines ^D	$Cu \geq 6$ and $1 \leq Cc \leq 3$ ^E	GC	Clayey gravel ^{F,G,H}	
	Sands with Fines: More than 12% fines ^D		$Cu < 6$ and/or $1 > Cc > 3$ ^E	SW	Well-graded sand ^I		
			Fines classify as ML or MH	SP	Poorly graded sand ^I		
	Fines classify as CL or CH		SM	Silty sand ^{G,H,I}			
	Fine-Grained Soils: 50% or more passes the No. 200 sieve	Silts and Clays: Liquid limit less than 50	Inorganic:	$PI > 7$ and plots on or above "A" line ^J	SC	Clayey sand ^{G,H,I}	
$PI < 4$ or plots below "A" line ^J				CL	Lean clay ^{K,L,M}		
Organic:			Liquid limit - oven dried	< 0.75	ML	Silt ^{K,L,M}	
			Liquid limit - not dried		OL	Organic clay ^{K,L,M,N}	
Silts and Clays: Liquid limit 50 or more		Inorganic:	PI plots on or above "A" line	CH	Fat clay ^{K,L,M}		
			PI plots below "A" line	MH	Elastic Silt ^{K,L,M}		
		Organic:	Liquid limit - oven dried	< 0.75	OH	Organic clay ^{K,L,M,P}	
			Liquid limit - not dried		OH	Organic silt ^{K,L,M,Q}	
		Highly organic soils: Primarily organic matter, dark in color, and organic odor				PT	Peat

^A Based on the material passing the 3-inch (75-mm) sieve

^B If field sample contained cobbles or boulders, or both, add "with cobbles or boulders, or both" to group name.

^C Gravels with 5 to 12% fines require dual symbols: GW-GM well-graded gravel with silt, GW-GC well-graded gravel with clay, GP-GM poorly graded gravel with silt, GP-GC poorly graded gravel with clay.

^D Sands with 5 to 12% fines require dual symbols: SW-SM well-graded sand with silt, SW-SC well-graded sand with clay, SP-SM poorly graded sand with silt, SP-SC poorly graded sand with clay

$$^E Cu = D_{60}/D_{10} \quad Cc = \frac{(D_{30})^2}{D_{10} \times D_{60}}$$

^F If soil contains $\geq 15\%$ sand, add "with sand" to group name.

^G If fines classify as CL-ML, use dual symbol GC-GM, or SC-SM.

^H If fines are organic, add "with organic fines" to group name.

^I If soil contains $\geq 15\%$ gravel, add "with gravel" to group name.

^J If Atterberg limits plot in shaded area, soil is a CL-ML, silty clay.

^K If soil contains 15 to 29% plus No. 200, add "with sand" or "with gravel," whichever is predominant.

^L If soil contains $\geq 30\%$ plus No. 200 predominantly sand, add "sandy" to group name.

^M If soil contains $\geq 30\%$ plus No. 200, predominantly gravel, add "gravelly" to group name.

^N $PI \geq 4$ and plots on or above "A" line.

^O $PI < 4$ or plots below "A" line.

^P PI plots on or above "A" line.

^Q PI plots below "A" line.

