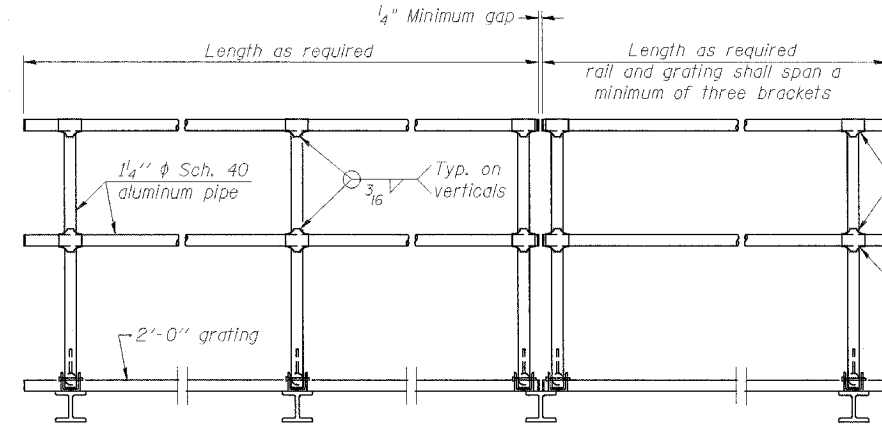


SIDE ELEVATION
(Showing Safety Chain W/O Sign)

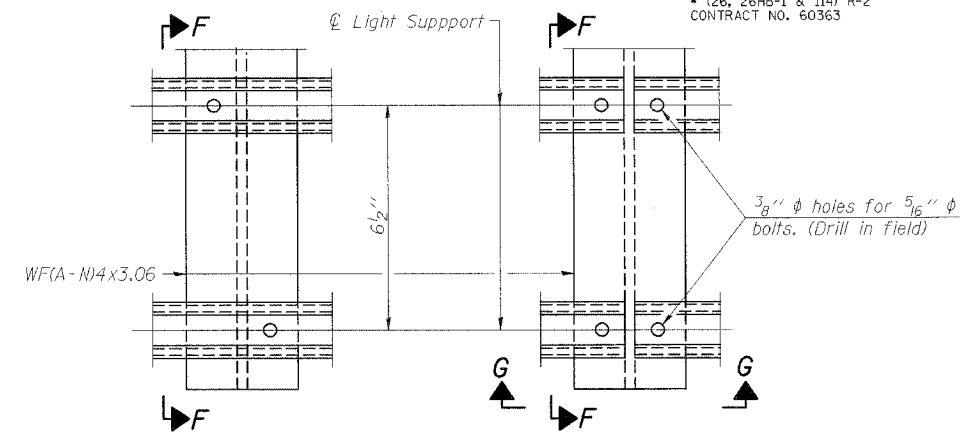


FRONT ELEVATION

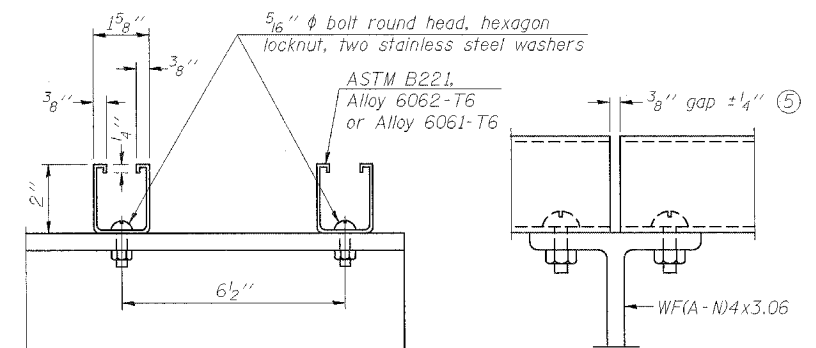
① Install standard force-fit end caps or weld $\frac{1}{8}$ " end plates with $\frac{1}{8}$ " c.f.w. and grind smooth. (All rail ends)
 Fittings-ASTM B26, Alloy 356-T7 or $\frac{1}{2}$ " aluminum pipe

② Horizontal handrail member shall be continuous thru fitting. Provide $\frac{7}{16}$ " hole in fitting for $\frac{3}{8}$ " bolt. Field drill $\frac{7}{16}$ " hole in horizontal rail member. Provide locknut and two stainless steel washers for bolt. (Use $\frac{3}{16}$ " eyebolts in $\frac{7}{16}$ " holes on top rail at ends only.)

HANDRAIL DETAILS
Handrail pipe shall be ASTM B241 or B429, Alloy 6063-T6 or Alloy 6061-T6.

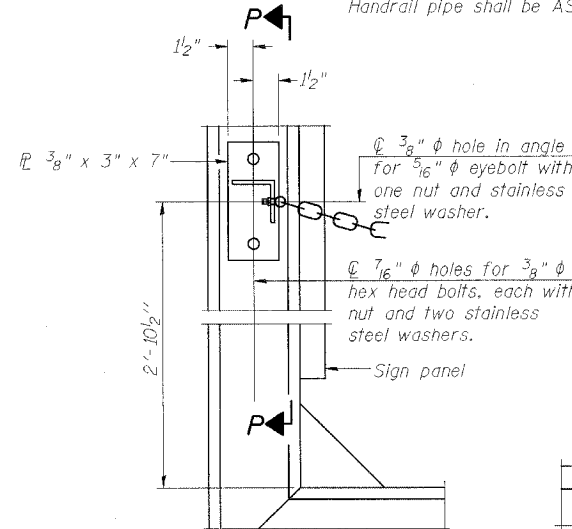


DETAIL F and **DETAIL G**

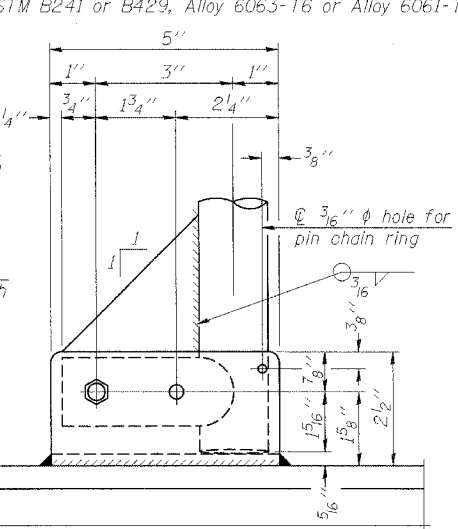


SECTION F-F and **SECTION G-G**
LIGHTING FIXTURE MOUNTS (IF REQUIRED)

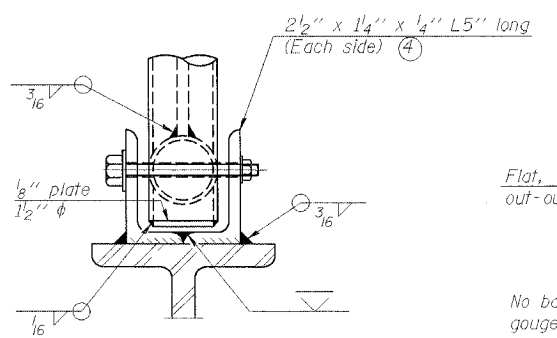
⑤ Field cut ends of light support channels shall be free of burrs or hazardous projections and coated with zinc-rich primer or equivalent.



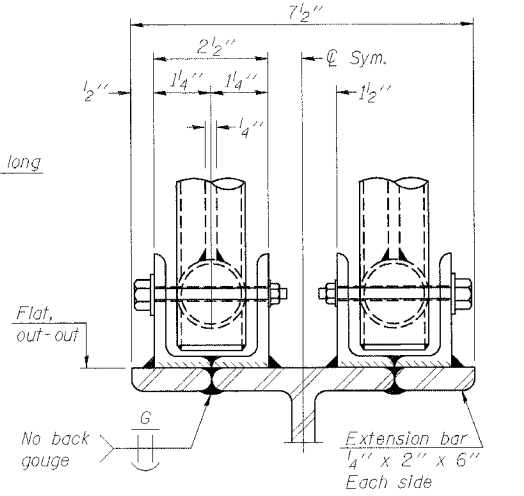
ALTERNATE SAFETY CHAIN ATTACHMENT
(With Sign Present)
Items not shown same as "Side Elevation" of "Handrail Details"



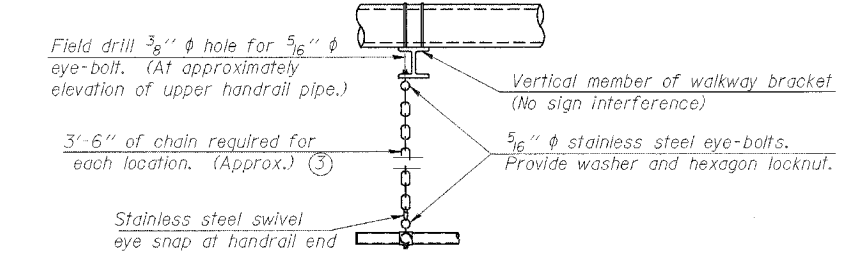
SIDE ELEVATION



FRONT ELEVATION
Details not shown same as "ELEVATION" at right.



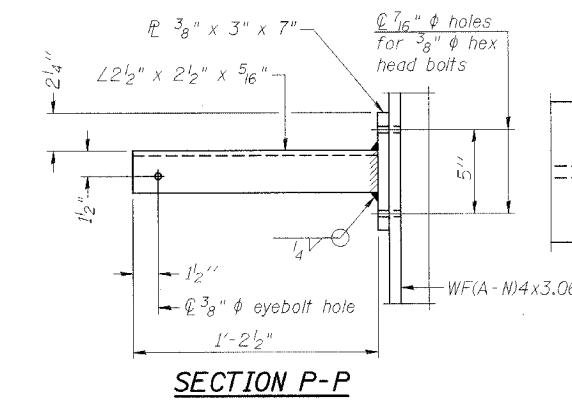
ELEVATION AT HANDRAIL JOINT ④
Details not shown same as "FRONT ELEVATION"



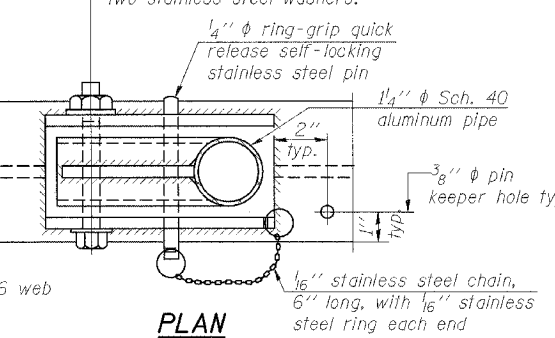
SAFETY CHAIN
One required for each end of each walkway.

③ $\frac{3}{16}$ " Type 304L stainless steel chain, approximately 12 links per foot.

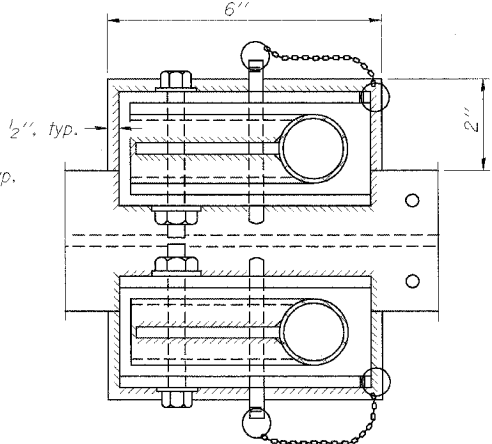
④ Extrusions may be used in lieu of the details shown, with approval of the Engineer.



SECTION P-P



PLAN DETAIL E HANDRAIL HINGE



PLAN AT HANDRAIL JOINT
Details not shown same as "PLAN"

NUMBER	REVISION	DATE

REVISIONS	
NAME	DATE

ILLINOIS DEPARTMENT OF TRANSPORTATION
 FAI 55 AT FAP 338 ILLINOIS ROUTE 59
 SECTION: (26, 26HB-1 & 114) R-2

HANDRAIL DETAILS
 ALUMINUM TRUSS & STEEL POST

DATE: 03/14/08
 DRAWN BY: MDB
 CHECKED BY: []

TENG

T:\DOCUMENT\692790\STRUCT\08\3\KNO\03.DGN
 BORISLAD
 color tables KASTANDARD.TEM (DATA COLOR TABLE).TBL
 3-13-2008, 12:02:21
 pen table: N/A
 11TB00RHLDJN