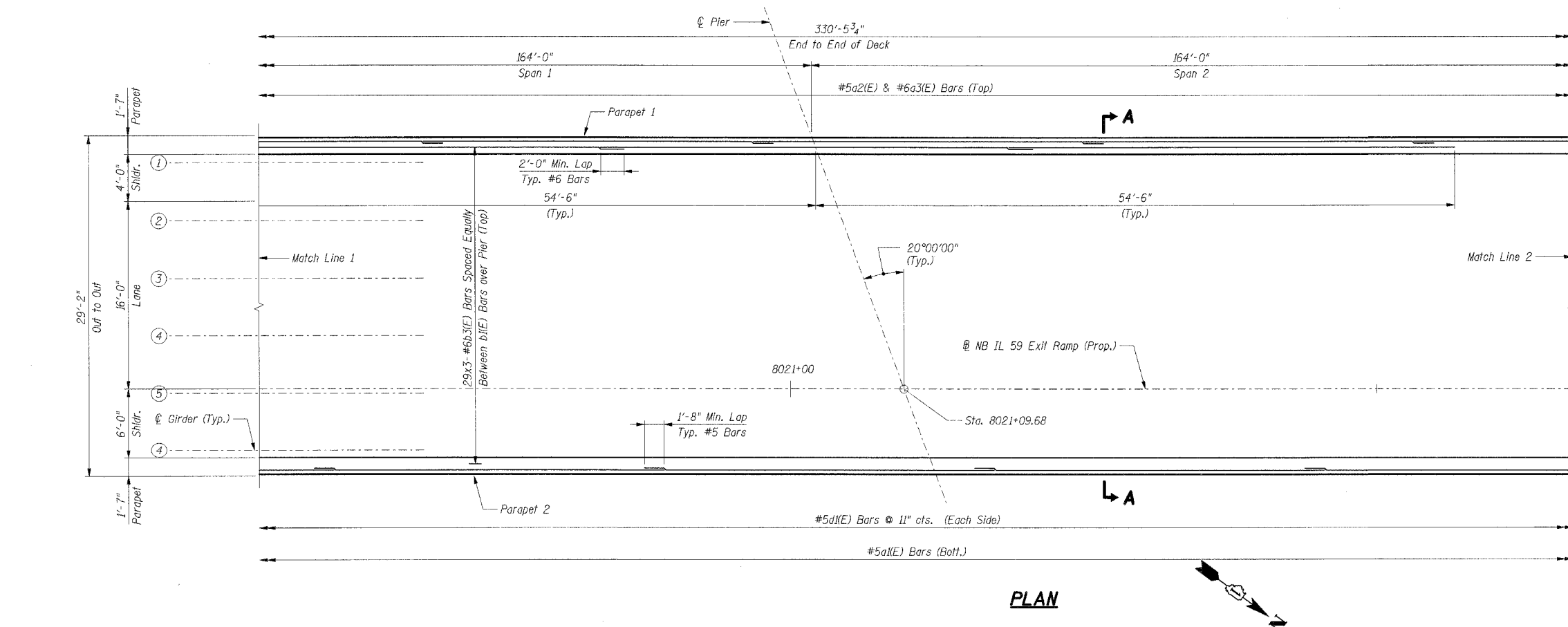
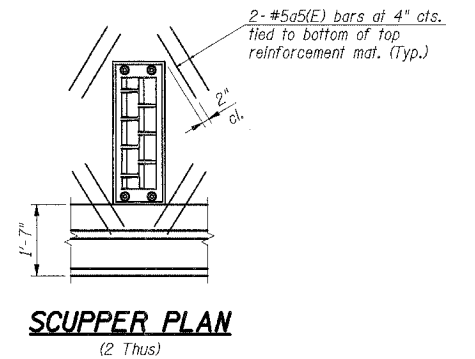
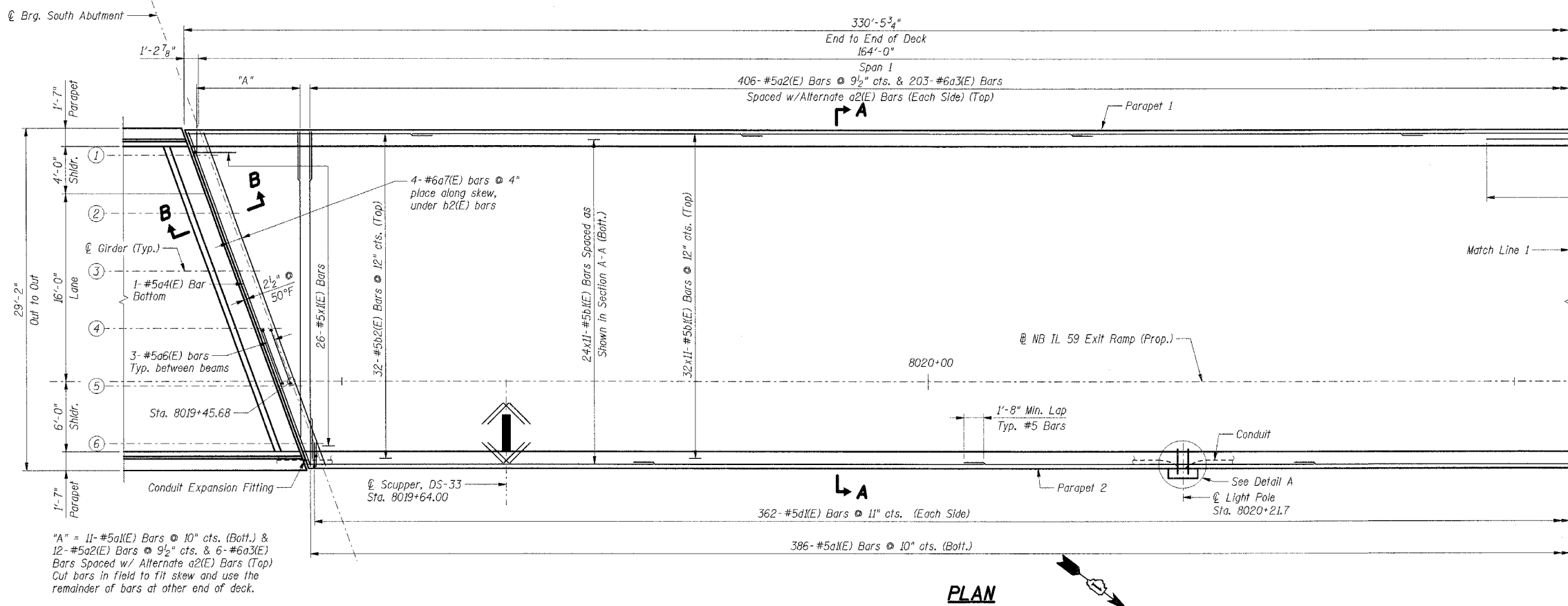


F.A.I. RTE.	SECTION	COUNTY	TOTAL SHEETS	SHEET NO.
59		WILL	608	352
STA.		TO STA.		
FED. ROAD DIST. NO. 1 ILLINOIS FED. AID PROJECT				
* (26, 26HB-1 & 114) R-2				
CONTRACT NO. 60363				



SHT. S-6 OF S-24

REVISIONS	
NAME	DATE

ILLINOIS DEPARTMENT OF TRANSPORTATION
F.A.P. ROUTE 338 (ILLINOIS ROUTE 59)
IL ROUTE 59 OVER F.A.I. 55 (I-55)
SECTION (26, 26HB-1 & 114) R-2
STRUCTURE NUMBER 099-4642
STATION 8021+17.13, WILL COUNTY

DECK PLAN I

DATE: 03/14/08

DRAWN BY: TMH
CHECKED BY: MDB

TENG

TENG & ASSOCIATES, INC.
ENGINEERS/ARCHITECTS/PLANNERS
305 N. MICHIGAN AVE. CHICAGO, IL 60610
TELEPHONE: 312.642.6000

\\DKP00159.DGN, \\DKP00159.DGN, \\TTBORRHL.DGN BOINHUIAO
 3-13-2008, 12:20:50 T:\DOCUMENT\9312790\STRUCT\09N\DKP00159.DGN
 color: tobbst; K:\STANDARD\TENG\DATA\COLORTABLE.TBL
 pen: tobbst; M/A