

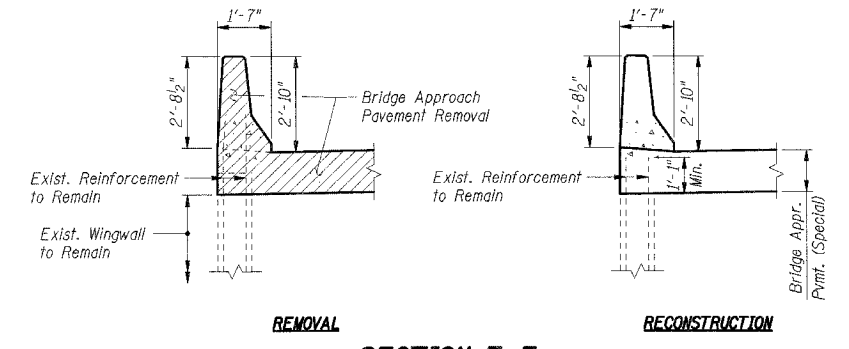
**MATERIAL REQUIRED FOR BRIDGE APPROACH PAVEMENT (SPECIAL)**

Bar	No.	Size	Length	Shape
a1(E)	150	#9	29'-6"	U
a2(E)	75	#5	29'-6"	U
a3(E)	84	#4	6'-8"	U
a4(E)	84	#4	5'-8"	U
b1(E)	60	#5	21'-7"	U
b2(E)	16	#4	21'-5"	U
b3(E)	60	#5	19'-10"	U
b4(E)	16	#4	19'-8"	U
b5(E)	5	#5	29'-6"	U
c1(E)	30	#5	2'-8"	U
c2(E)	30	#5	4'-5"	U
d1(E)	33	#5	5'-2"	U
d2(E)	30	#4	4'-1"	U
e1(E)	8	#4	30'-3"	U
h1(E)	48	#5	21'-7"	U
h2(E)	48	#5	19'-10"	U
Item	Unit	Total		
Concrete Structures	Cu Yd	111.3	**	**
Reinforcement Bars, Epoxy Coated	Lbs	23,950	**	**
Polyethylene Bond Breaker	Sq Yd	53	**	**
Concrete Pad	Sq Yd	53	**	**

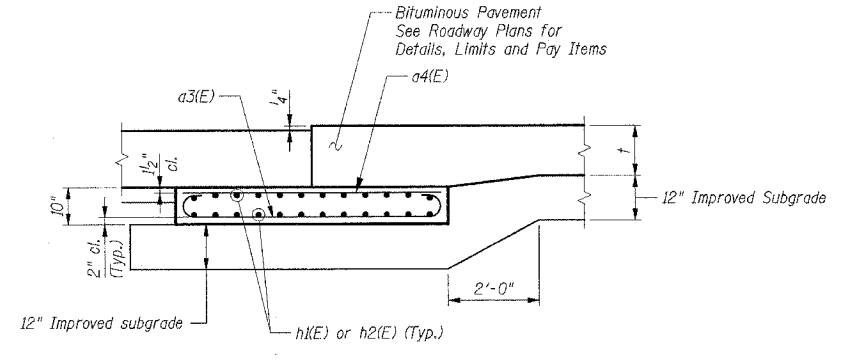
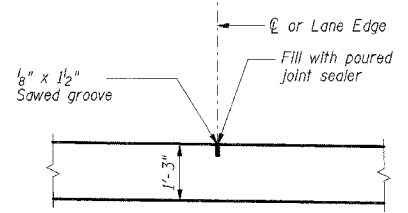
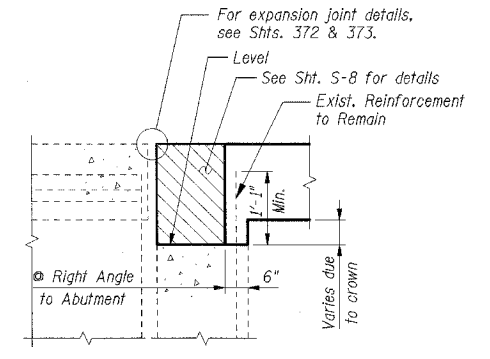
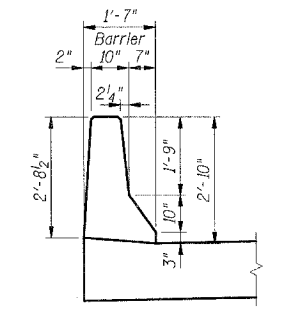
\*\* Item included in the cost for Bridge Approach Pavement (Special).

- Notes:**  
 1. Work this sheet with Sheet 408.  
 2. Reinforcement bars designated (E) shall be epoxy coated.  
 3. Thickness "t" = Thickness of Pavement.

**LEGEND**  
 [Hatched Box] Removal



**SECTION E-E**



APS-4 REVISIONS

NAME	DATE

ILLINOIS DEPARTMENT OF TRANSPORTATION  
 FAI 55 AT FAP 338 ILLINOIS ROUTE 59  
 SECTION: (26, 26HB-1 & 114) R-2  
**IL 59 BRIDGE OVER DUPAGE RVR  
 BRIDGE APPROACH PAVEMENT  
 DETAILS**  
 DATE: 03/14/08  
 DRAWN BY: TMH  
 CHECKED BY:  
**TENG**

90NDRHUJ0  
 3-05-2008, 2:41:44  
 T:\DOCUMENTS\19327901\STRUCT\DRN\APS00MPP.DGN  
 1 2 3 4 5 6 7 8 9 10 11 12 13 14 15 16 17 18 19 20 21 22 23 24 25 26 27 28 29 30 31 32 33 34 35 36 37 38 39 40 41 42 43 44 45 46 47 48 49 50 51 52 53 54 55 56 57 58 59 60 61 62 63