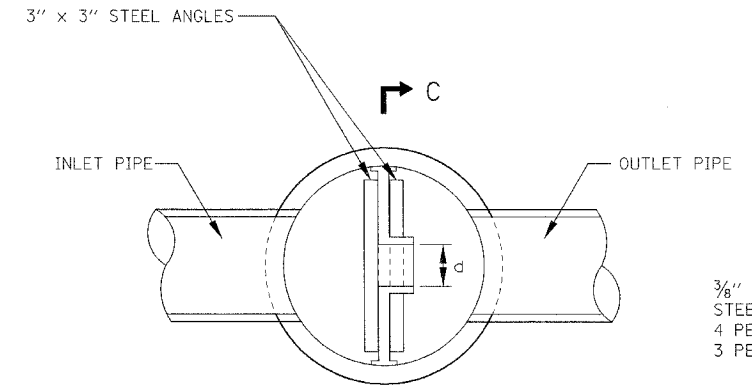
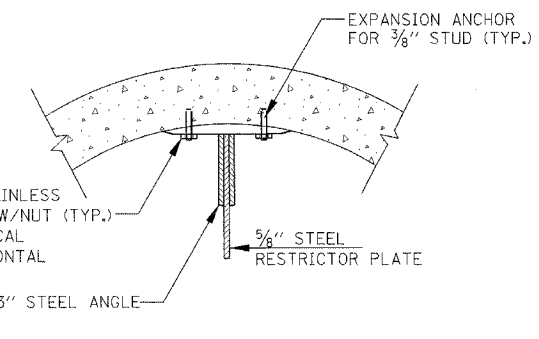


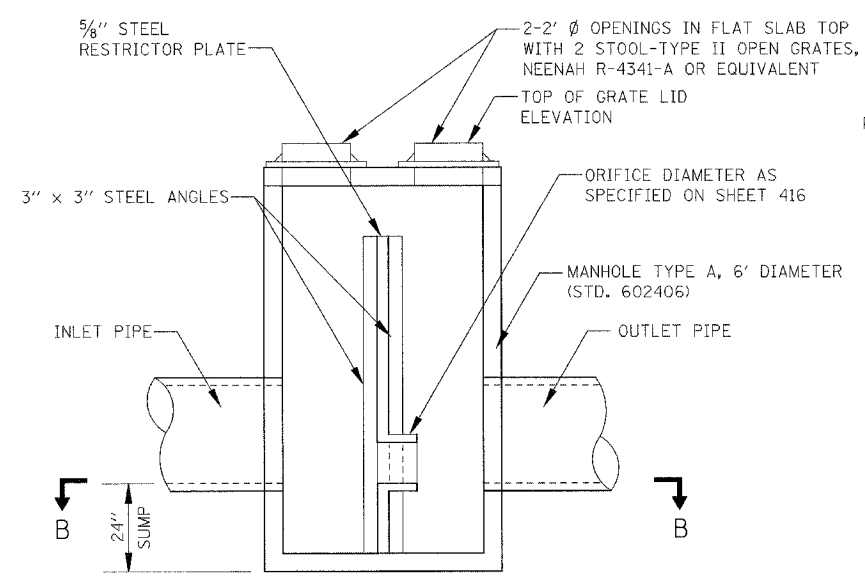
PLAN



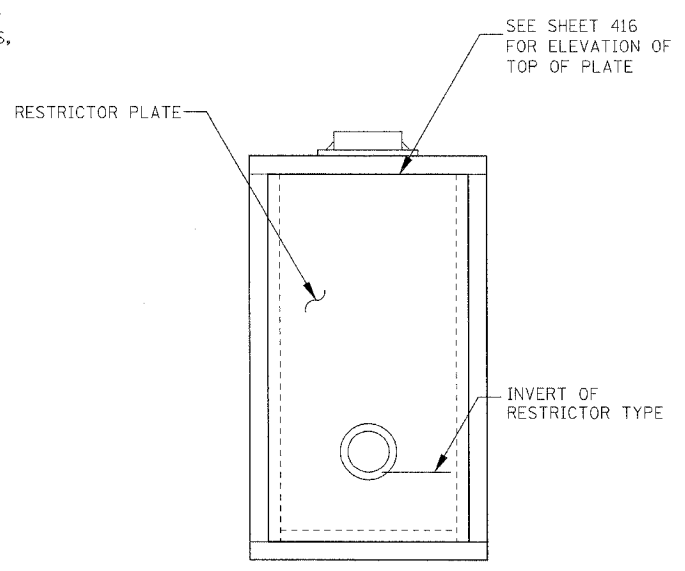
SECTION B-B



ANGLE FASTENER DETAIL

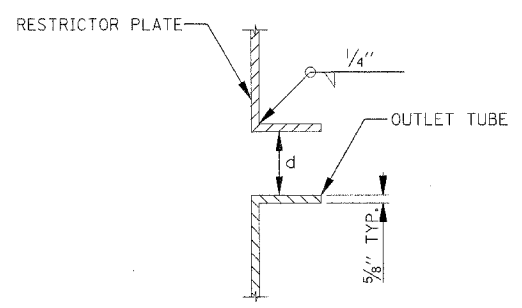


SECTION A-A

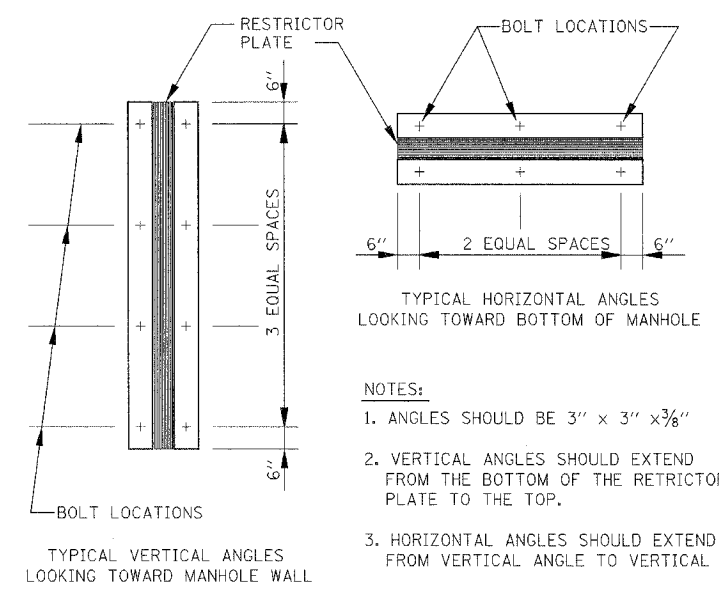


SECTION C-C

- NOTES:
1. ALL STEEL ANGLES AND PLATES TO BE GALVANIZED AFTER FABRICATION.
 2. ALL RESTRICTOR PLATES, ANGLES AND HARDWARE TO BE INCLUDED IN THE COST OF THE MANHOLE.
 3. BASIS OF PAYMENT: "MANHOLES, WITH RESTRICTOR PLATE" EACH.

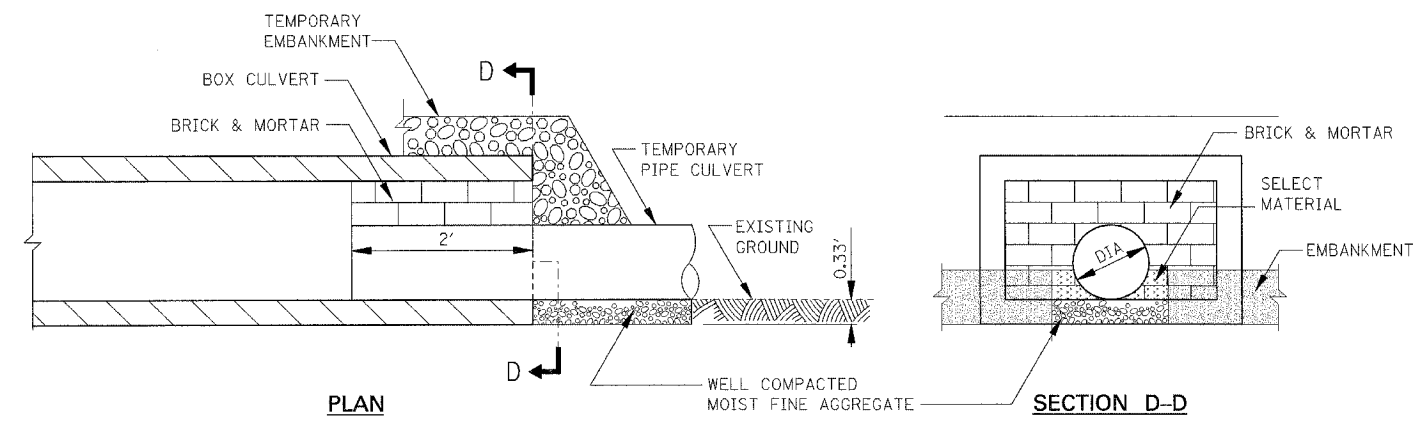


OUTLET TUBE DETAIL



STEEL ANGLE BOLTING DETAILS

MANHOLE WITH RESTRICTOR PLATE
N.T.S.



PLAN

SECTION D-D

TEMPORARY CONNECTION BETWEEN CULVERTS
N.T.S.

STRUCTURE NUMBER	MANHOLE DIAMETER	FRAME & GRATE	RESTRICTOR TYPE	INSIDE RESTRICTOR TYPE DIAMETER (INCHES)	INVERT OF RESTRICTOR TYPE	ELEVATION OF TOP OF PLATE	RIM ELEVATION
602406	6'	TYPE 2	3	17"	580.50'	584.63'	585.30'

NOTE:
TEMPORARY CONNECTIONS BETWEEN CULVERTS, AS WELL AS THEIR SUBSEQUENT REMOVAL AND DISPOSAL OF ALL MATERIALS, WILL NOT BE PAID FOR SEPARATELY BUT WILL BE INCLUDED IN THE CONTRACT UNIT PRICE PER FOOT OF PIPE CULVERTS (TEMPORARY) OF THE CLASS, TYPE AND DIAMETER SPECIFIED. METHOD 1 CONSTRUCTION SHALL BE USED.

REVISIONS	
NAME	DATE

ILLINOIS DEPARTMENT OF TRANSPORTATION
FAI 55 AT FAP 338 ILLINOIS ROUTE 59
SECTION: (26, 26HB-18114) R-2

DRAINAGE DETAILS II

SCALE: N.T.S.
DATE: 03/14/08

DRAWN BY: MRK
CHECKED BY: TKL

TENG
TENG & ASSOCIATES, INC.
ENGINEERS/ARCHITECTS/PLANNERS
300 N. MICHIGAN AVE. CHICAGO, IL 60601
TELEPHONE: 312-881-6200

ATTORNEY GENERAL
 3-12-2008, 18:45:57
 1 2 3 4 5 6 7 8 9 10 11 12 13 14 15 16 17 18 19 20 21 22 23 24 25 26 27 28 29 30 31 32 33 34 35 36 37 38 39 40 41 42 43 44 45 46 47 48 49 50 51 52 53 54 55 56 57 58 59 60 61 62
 B0101010