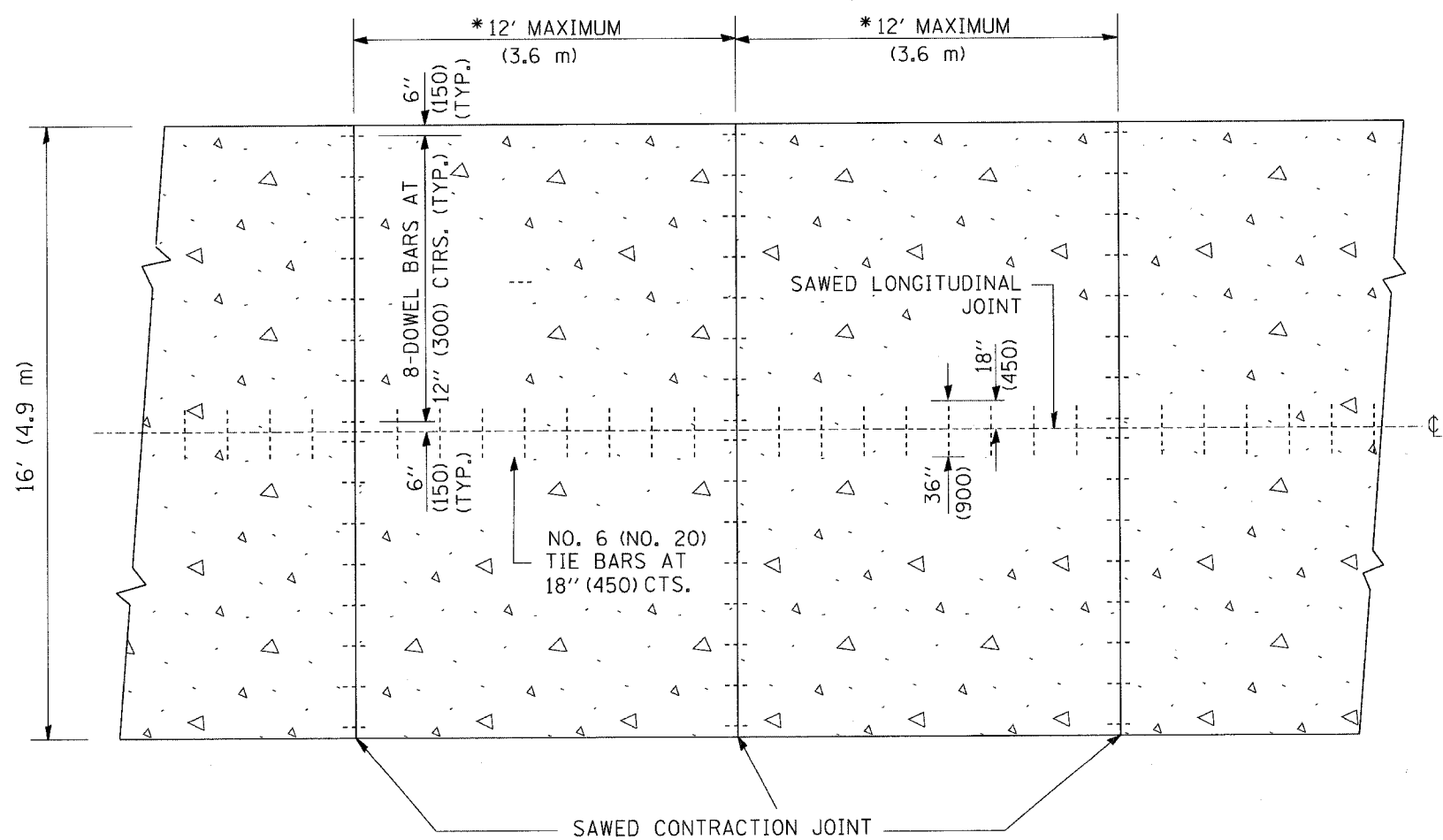


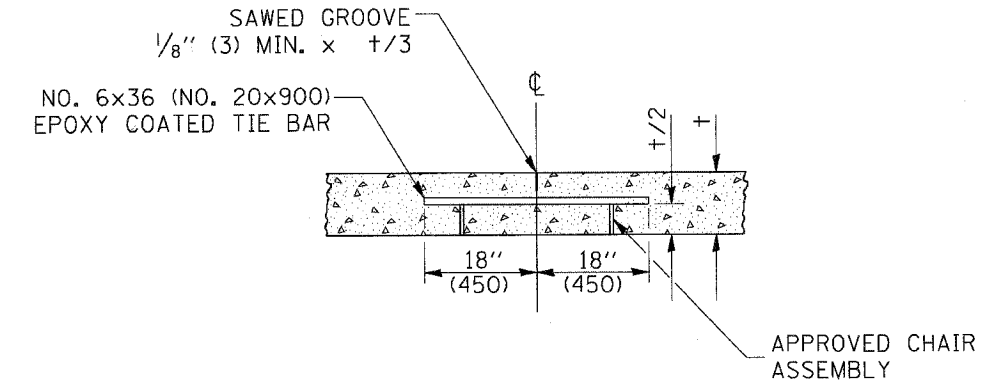
SECTION

NOTES:

- CENTERLINE JOINT REMAINS IN THE CENTER WHEN RAMP TRANSITIONS TO TWO (2) RAMPS AT 12' (3.6 m).
- ALL BARS TO BE EPOXY COATED.



PLAN



SAWED LONGITUDINAL JOINT

ALL DIMENSIONS ARE IN INCHES (MILLIMETERS) UNLESS OTHERWISE NOTED

REVISIONS	
NAME	DATE
	10/18/02

ILLINOIS DEPARTMENT OF TRANSPORTATION
 DETAIL FOR CENTERLINE SAWCUT
 16' (4.9 m) AND VARIABLE
 JOINTED PCC PAVEMENT
 FOR RAMPS

SCALE: VERT. NONE
 HORIZ.
 DRAWN BY TOM MATOUSEK
 CHECKED BY A. ABBAS

PLOT DATE = 3/15/2007
 FILE NAME = K:\dashed\2007\4\1\pcc\pcc.dgn
 PLOT SCALE = 1/8\"/>