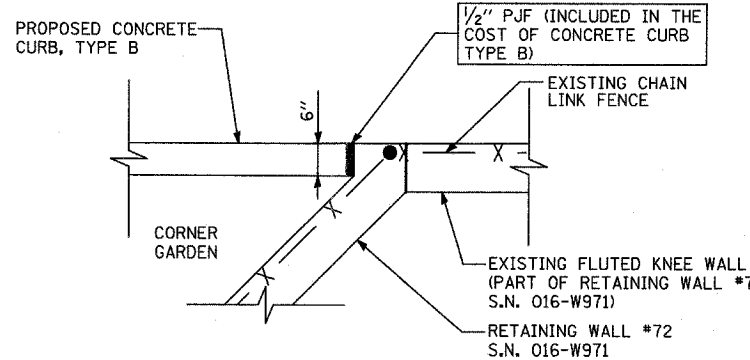
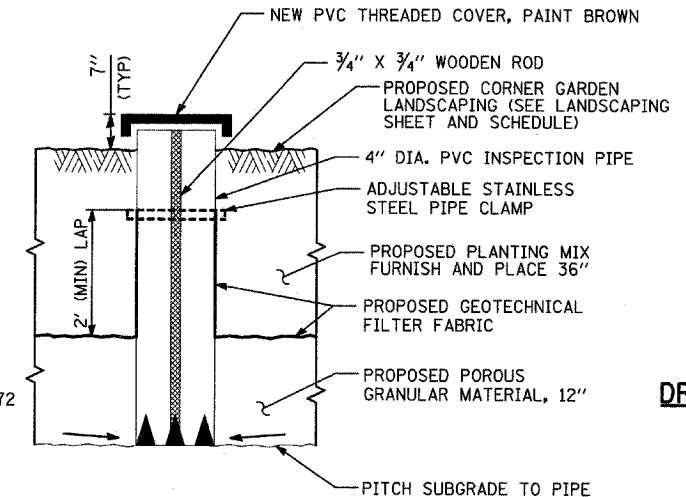


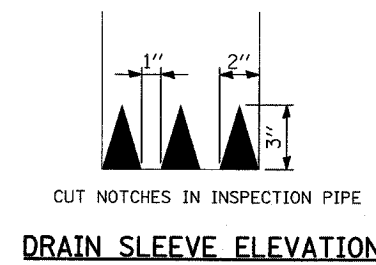
NW CORNER GARDEN AT 79th STREET



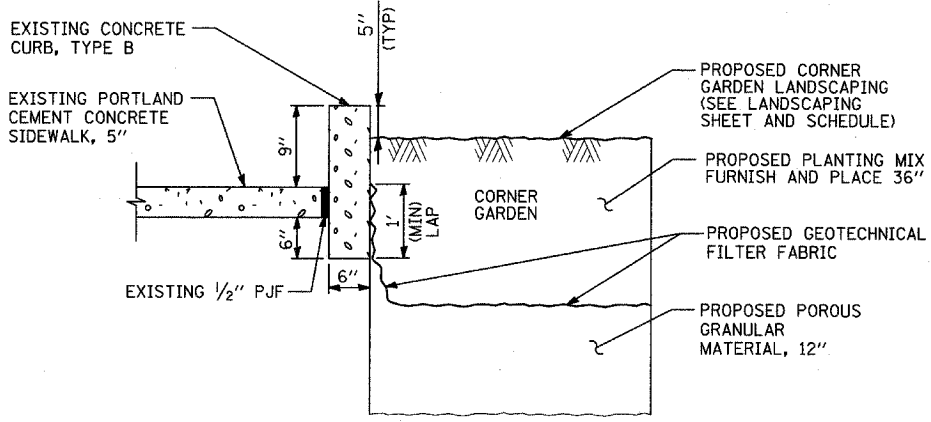
DETAIL A



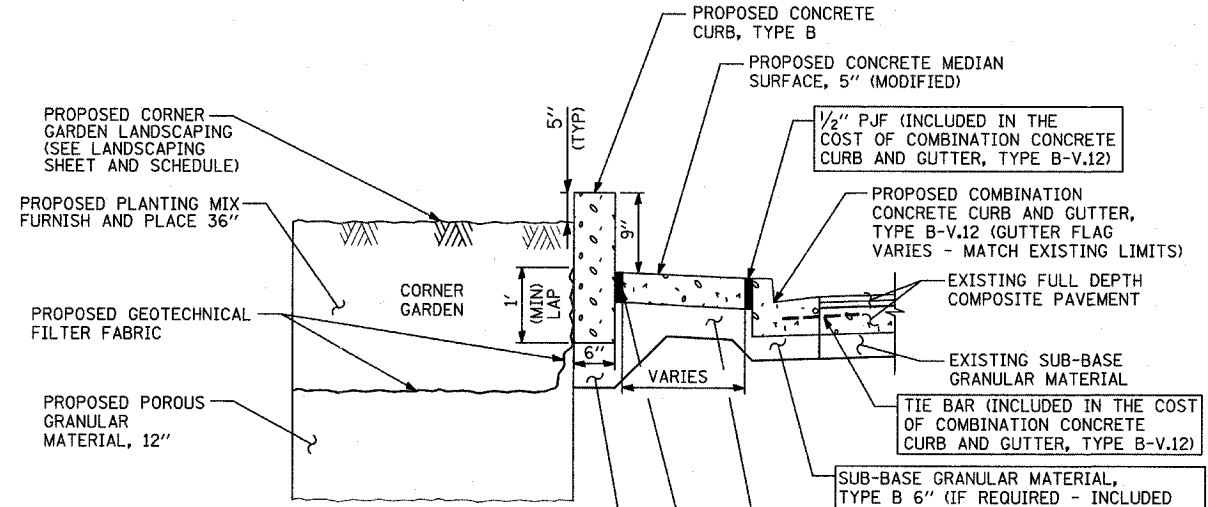
INSPECTION PIPE, 4\"/>



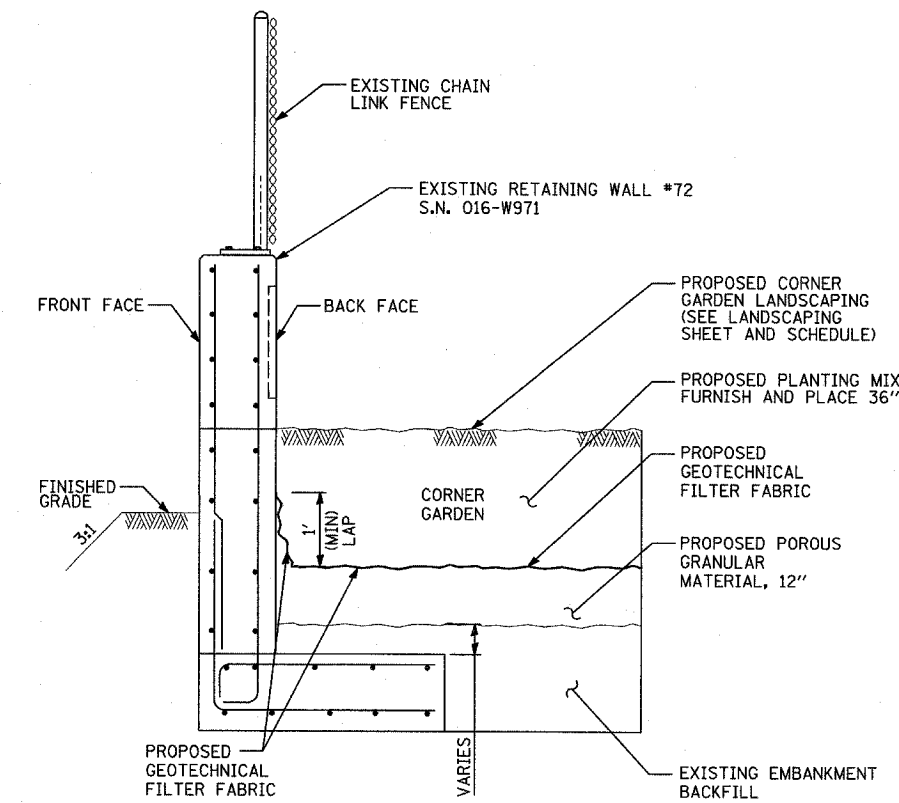
DRAIN SLEEVE ELEVATION



SECTION A-A



SECTION B-B



SECTION C-C

REVISIONS	
NAME	DATE