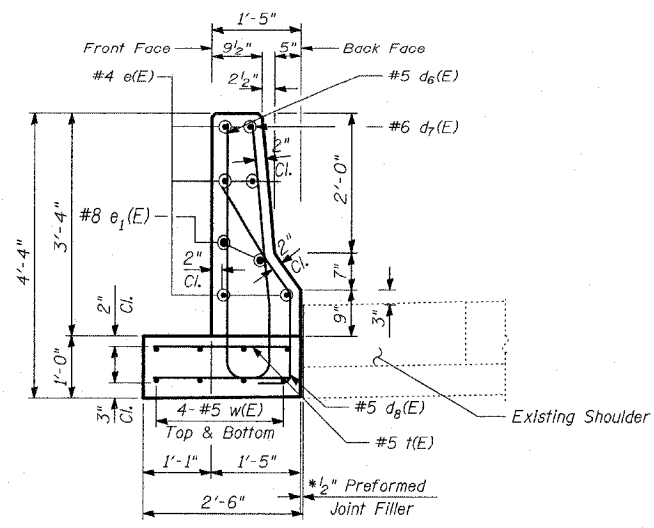
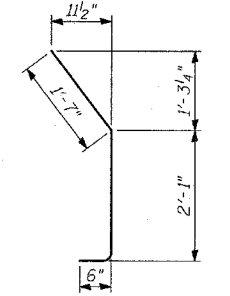


PLAN - FLUTED KNEE WALL AT EXIT RAMP AT 79TH ST.

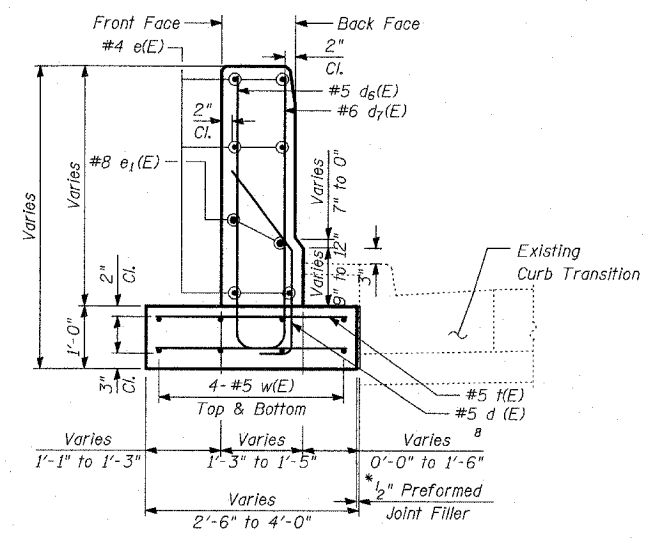


SECTION E-E

BARS d6(E) & d7(E)



BAR d6(E)

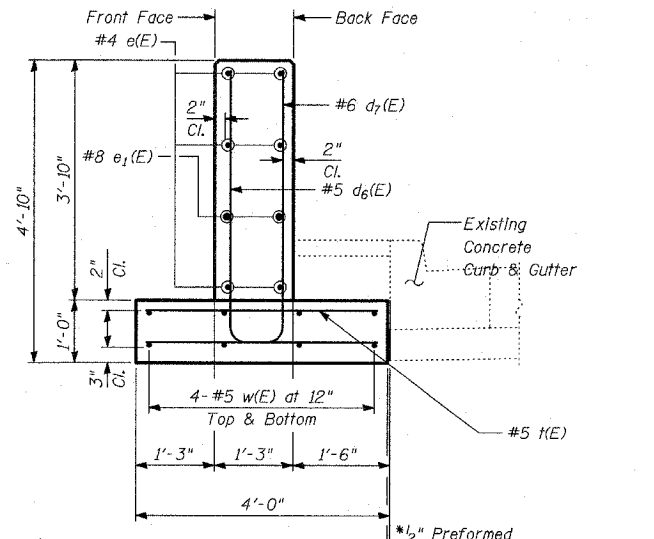


SECTION D-D

BILL OF MATERIAL*

Bar	No.	Size	Length	Shape
d6(E)	22	#5	6'-4"	L
d7(E)	22	#6	6'-6"	L
d8(E)	15	#5	4'-2"	S
e(E)	6	#4	20'-10"	—
e1(E)	2	#8	20'-10"	—
t(E)	22	#5	3'-8"	—
w1(E)	8	#5	23'-3"	—
Reinforcement Bars, Epoxy Coated		POUND	900	
Structure Excavation		CU YD	10	
Concrete Structures		CU YD	7	
Protective Coat		SQ YD	17	

Reinforcement bars designated (E) shall be epoxy coated.



SECTION B-B

NOTES:

1. For Notes, See Fluted Knee Wall Standard Details (1 of 2) Sheet.

* Bill of Material is for information only. Paid for as "Fluted Knee Wall, Special".

** Cut bars to fit in field.

REVISIONS	
NAME	DATE

ILLINOIS DEPARTMENT OF TRANSPORTATION
**F.A.I. 94 (DAN RYAN EXPRESSWAY)
 FLUTED KNEE WALL, SPECIAL ALONG
 LAFAYETTE AVE. AT 79TH ST.
 TRANSITION DETAILS
 (2 OF 2)**

S.N. DESIGNED BY: MAF
 SCALE: N.T.S. DRAWN BY: MAF
 DATE: MAY 1, 2008 CHECKED BY: MI