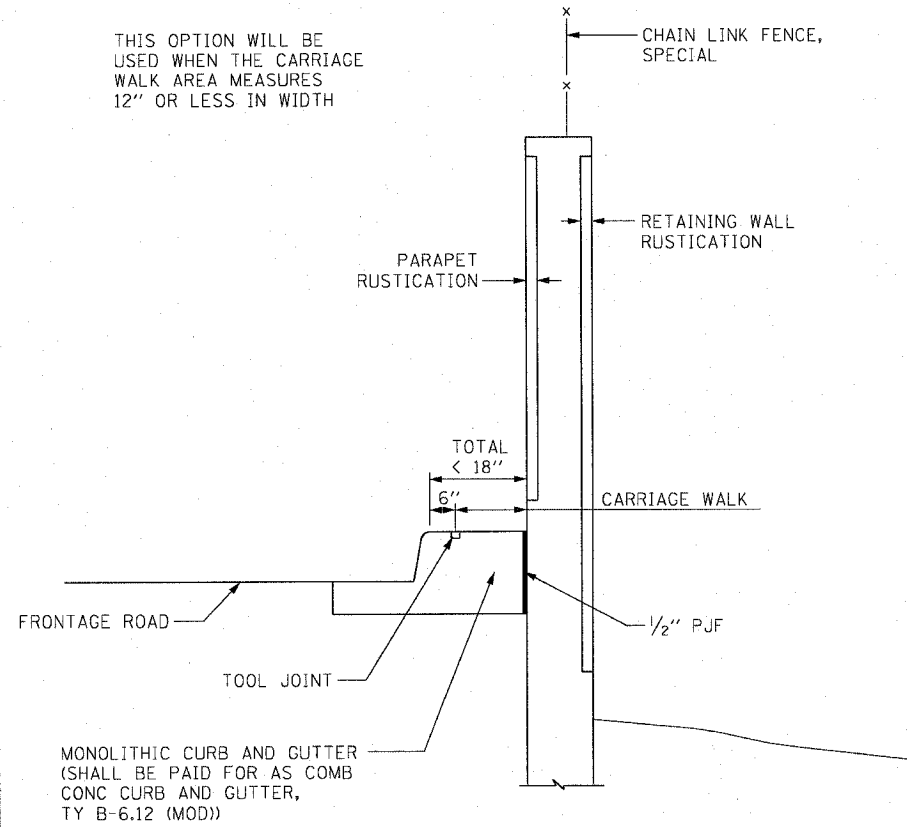
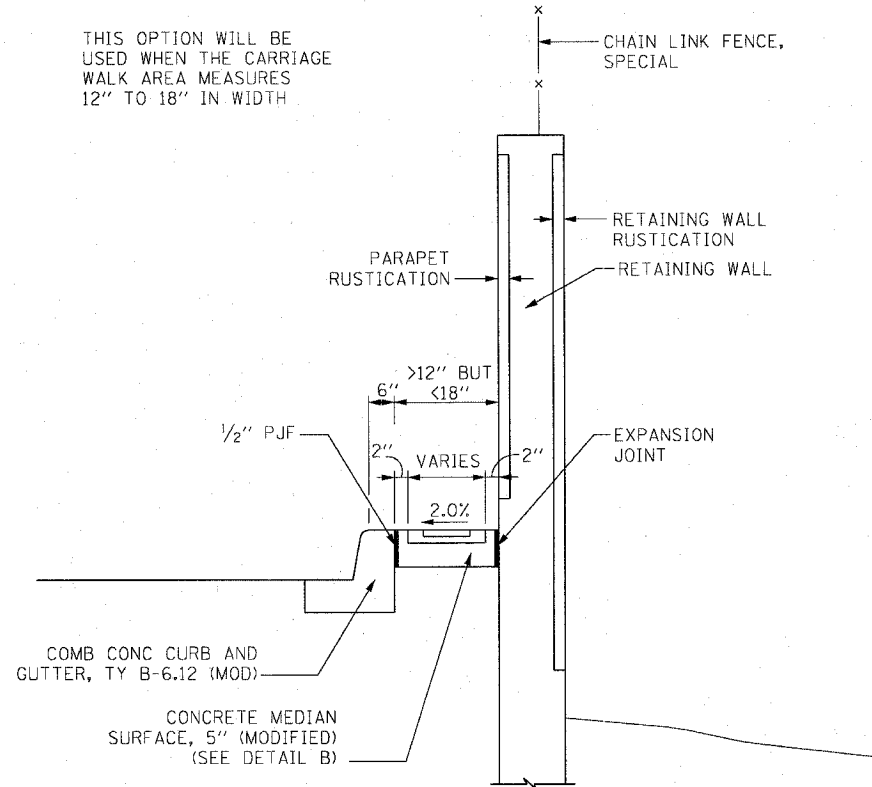


THIS OPTION WILL BE USED WHEN THE CARRIAGE WALK AREA MEASURES 12" OR LESS IN WIDTH



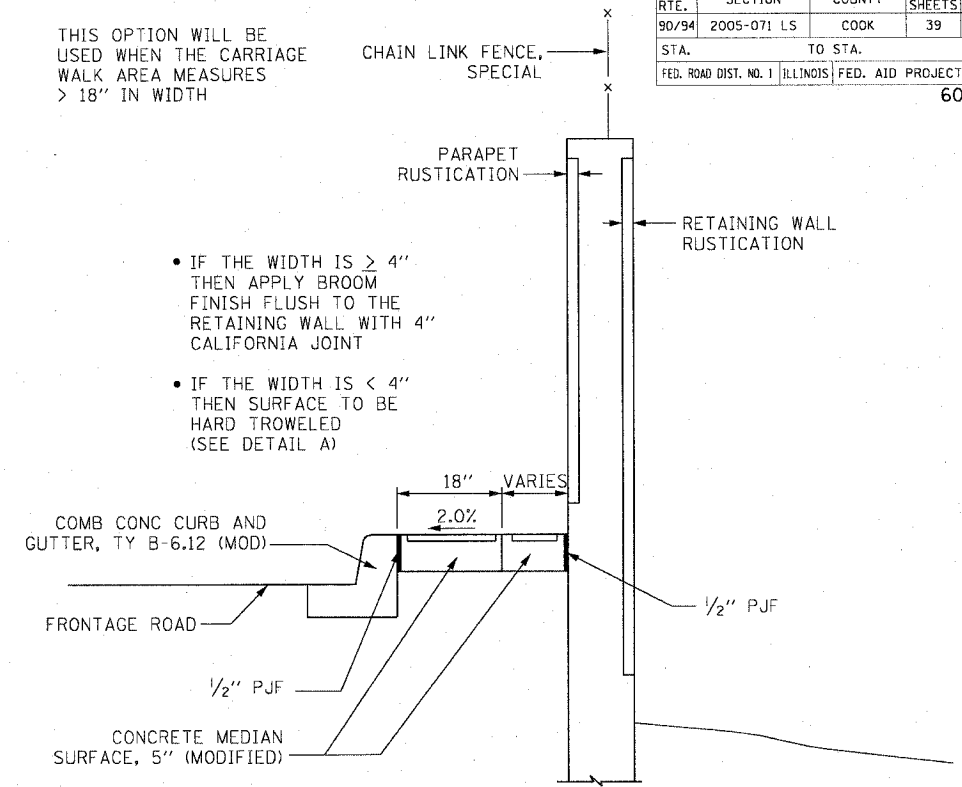
CARRIAGE WALK
AREA < 12" WIDE

THIS OPTION WILL BE USED WHEN THE CARRIAGE WALK AREA MEASURES 12" TO 18" IN WIDTH



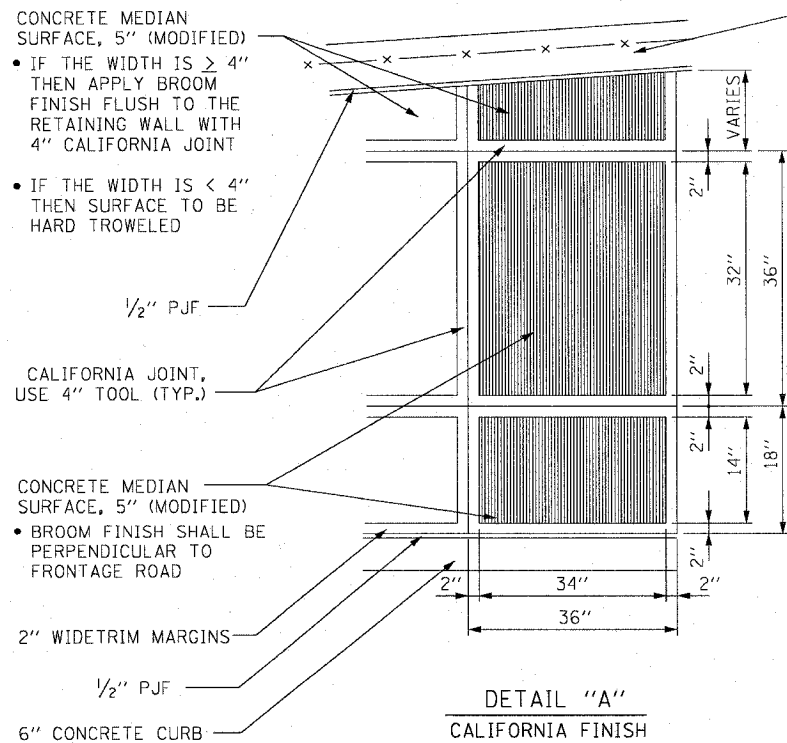
CARRIAGE WALK
AREA 12" TO 18" WIDE

THIS OPTION WILL BE USED WHEN THE CARRIAGE WALK AREA MEASURES > 18" IN WIDTH



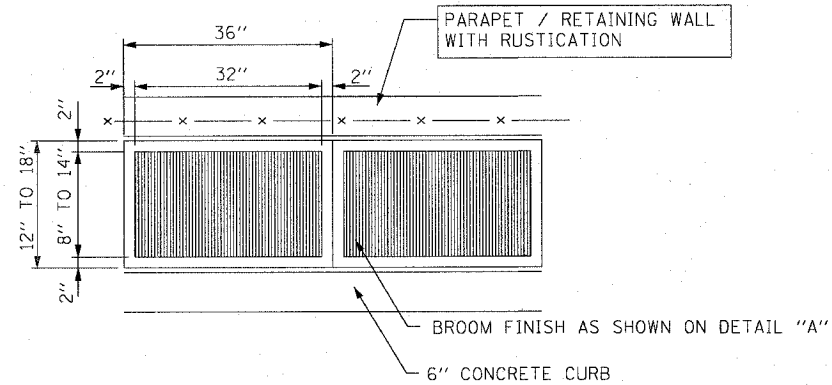
CARRIAGE WALK
AREA > 18" WIDE

- IF THE WIDTH IS $\geq 4"$ THEN APPLY BROOM FINISH FLUSH TO THE RETAINING WALL WITH 4" CALIFORNIA JOINT
- IF THE WIDTH IS $< 4"$ THEN SURFACE TO BE HARD TROWELED (SEE DETAIL A)



DETAIL "A"
CALIFORNIA FINISH

PARAPET / RETAINING WALL WITH RUSTICATION



DETAIL "B"
CALIFORNIA FINISH

REVISIONS	
NAME	DATE

ILLINOIS DEPARTMENT OF TRANSPORTATION
F.A.I. 90/94 (DAN RYAN EXPRESSWAY)
63RD STREET GATEWAY LANDSCAPING AND IRRIGATION
CONSTRUCTION DETAILS
CONCRETE MEDIAN SURFACE, 5" (MODIFIED)
CARRIAGE WALK AND CALIFORNIA FINISH DETAIL
SCALE: NONE
DATE: MAY 02, 2008
DRAWN BY: PHP
CHECKED BY: NUJ