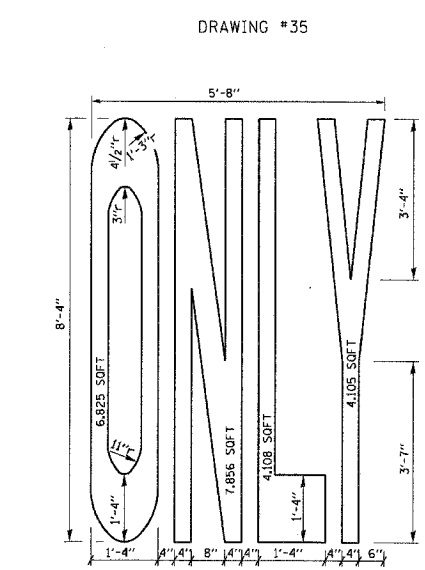
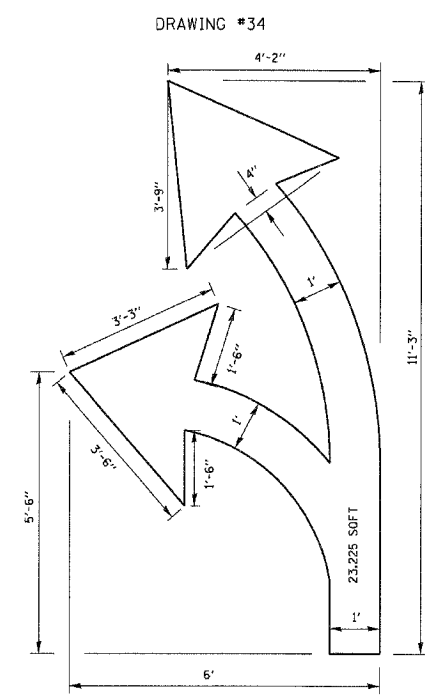
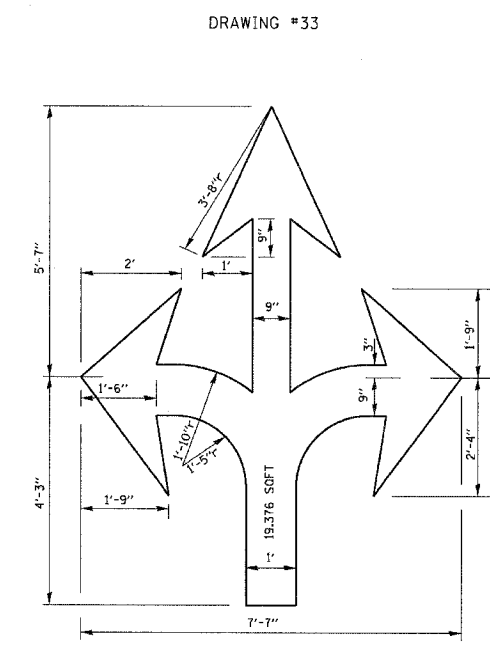
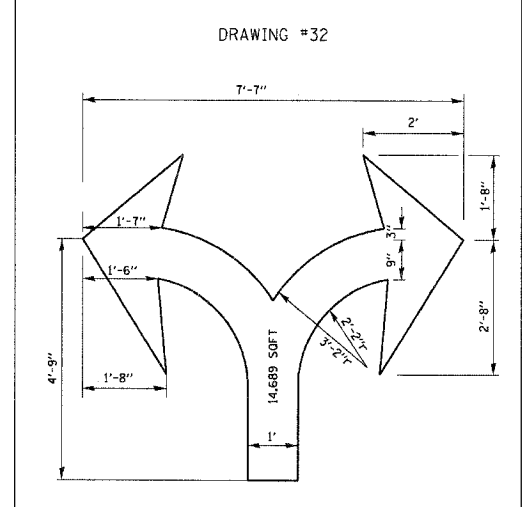
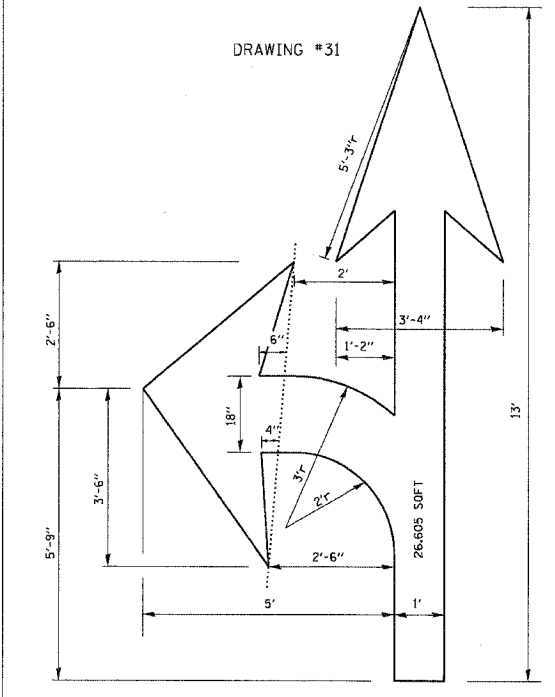
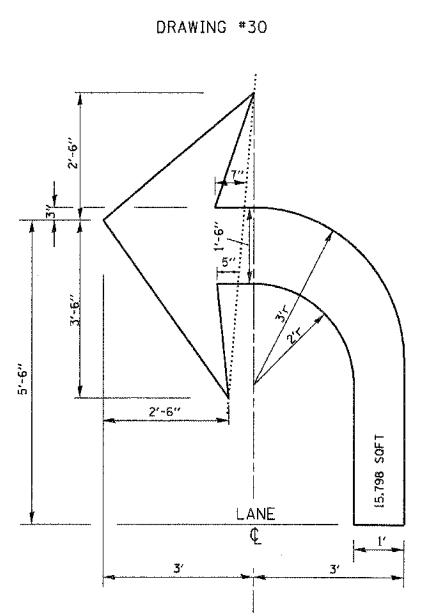
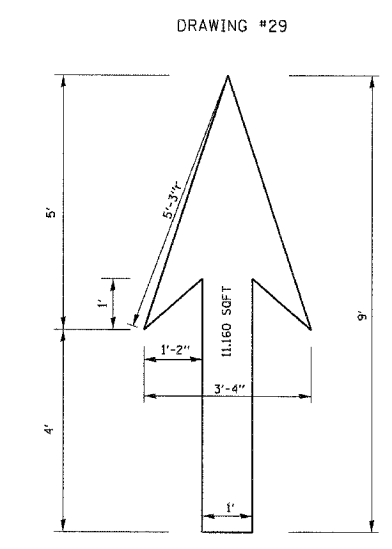


NOTE:
 1.) FOR BIKE LANE SYMBOLS ONLY, USE PRE-FORMED THERMOPLASTIC WITH A MINIMUM THICKNESS OF 90 MILS, MINIMUM SKID RESISTANCE VALUE OF 60 BPN, & A MINIMUM INDEX OF REFRACTION OF 1.50.
 2.) THE RESIDENT ENGINEER SHALL CONTACT MR. BEN GOMBERG AT 312-744-8093 AT LEAST ONE CALENDAR WEEK PRIOR TO INSTALLING BIKE LANE SYMBOLS.

TYPICAL BIKE LANE SYMBOLS
 DRAWING #28



NOTE:
 ALL MARKINGS SHALL BE SOLID WHITE UNLESS OTHERWISE NOTED IN THE PLANS

| REVISIONS | |
|--------------|----------|
| NAME | DATE |
| T. RAMMACHER | 12/07/00 |
| | |
| | |
| | |
| | |
| | |
| | |
| | |
| | |

ILLINOIS DEPARTMENT OF TRANSPORTATION
 CITY OF CHICAGO
 TYPICAL PAVEMENT MARKINGS

SCALE: NONE
 DRAWN BY
 CHECKED BY
 TC-24

PLOT DATE = 3/7/2007
 FILE NAME = K:\gis\std\l24.dgn
 PLOT SCALE = 1/8" = 1'-0"
 USER NAME = bboard1