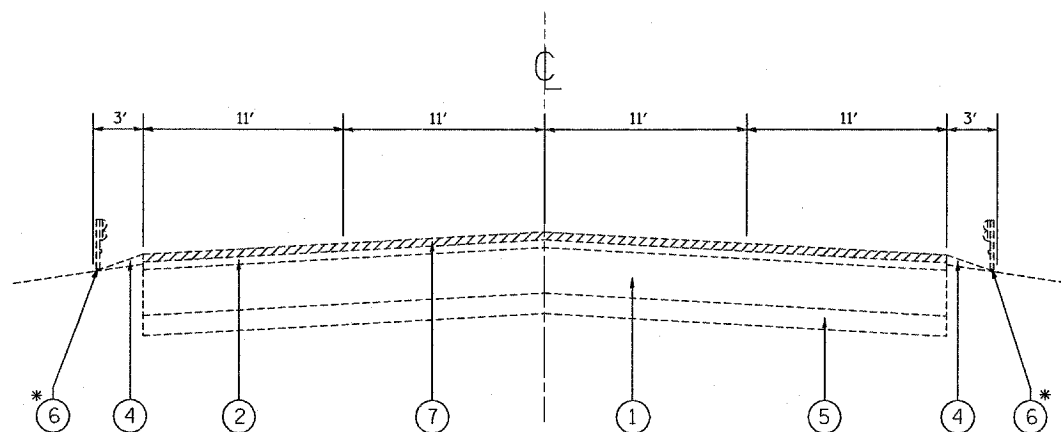


EXISTING TYPICAL SECTIONS
 STA. 14+19 TO 33+45
 STA. 53+66 TO 113+00

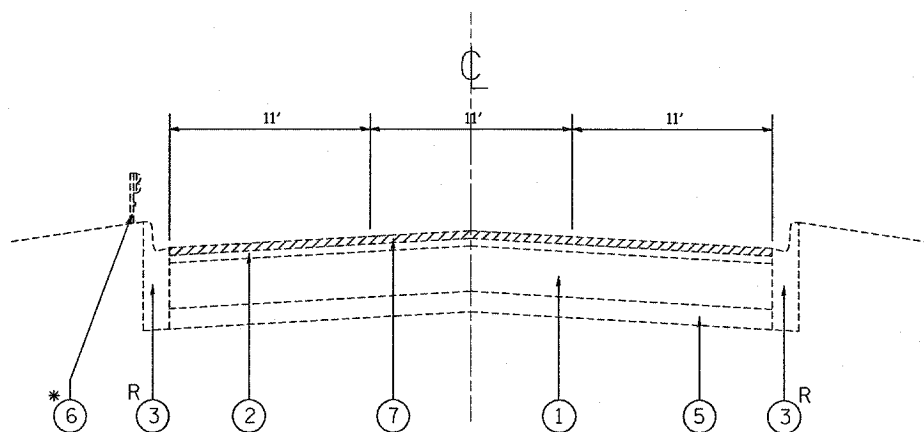


EXISTING TYPICAL SECTIONS
 STA. 33+45 TO 53+66

LEGEND: * EXIST. GUARDRAIL LOCATIONS
 STA. 38+75 TO 40+00 (NORTHBOUND)
 STA. 68+72 TO 69+62 (NORTHBOUND)
 STA. 68+72 TO 69+53 (SOUTHBOUND)
 STA. 105+30 TO 106+76 (NORTHBOUND)
 STA. 105+83 TO 106+81 (SOUTHBOUND)
 STA. 115+51 TO 118+61 (SOUTHBOUND)

LEGEND:

- ① EXIST. P.C.C. PAVEMENT, ±9"
 - ② EXIST. HOT-MIX ASPHALT SURFACE, ±3" (AFTER MILLING)
 - ③ EXIST. COMBINATION CONCRETE CURB AND GUTTER, TYPE B-6.24
 - ④ EXIST. AGGREGATE SHOULDER, 3'
 - ⑤ EXIST. STABILIZED SUB-BASE
 - ⑥ EXIST. GUARDRAIL
 - ⑦ PROP. HOT-MIX ASPHALT SURFACE REMOVAL, 2 1/4"
 - ⑧ PROP. POLYMERIZED LEVELING BINDER (MACHINE METHOD), IL-4.75, N50, 3/4"
 - ⑨ PROP. HOT-MIX ASPHALT SURFACE COURSE, MIX "D", N70, 1 1/2"
 - ⑩ PROP. GRADING AND SHAPING SHOULDERS
 - ⑪ PROP. AGGREGATE WEDGE SHOULDER, TYPE B
 - ⑫ PROP. STEEL PLATE BEAM GUARDRAIL
- R CURB AND GUTTER REMOVAL AND REPLACEMENT



EXISTING TYPICAL SECTIONS
 STA. 113+00 TO 119+76

FILE NAME =
 c:\projects\137106\sh_rdw.dgn

USER NAME = steepps
 PLOT SCALE = 50,0000 1/ IN.
 PLOT DATE = 6/20/2008

DESIGNED -
 DRAWN -
 CHECKED -
 DATE -

REVISED -
 REVISED -
 REVISED -
 REVISED -

**STATE OF ILLINOIS
 DEPARTMENT OF TRANSPORTATION**

EXISTING TYPICAL CROSS SECTIONS
 KEAN AVE.--111TH ST. TO US 12/20 (95TH ST.)

SCALE: SHEET NO. OF SHEETS STA. TO STA.

| F.A.U. RTE. | SECTION | COUNTY | TOTAL SHEETS | SHEET NO. |
|--------------------|------------|--------|--------------|-----------|
| 2721 | 2006-023RS | COOK | 26 | 4 |
| CONTRACT NO. 60B58 | | | | |

FED. ROAD DIST. NO. 1 ILLINOIS FED. AID PROJECT