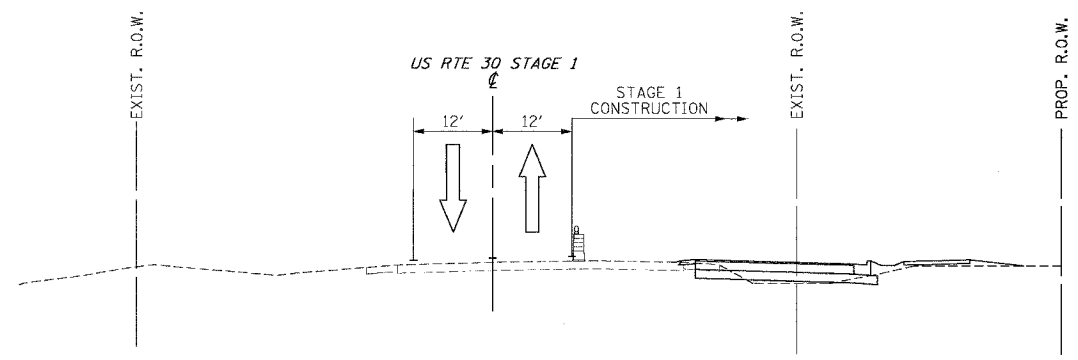
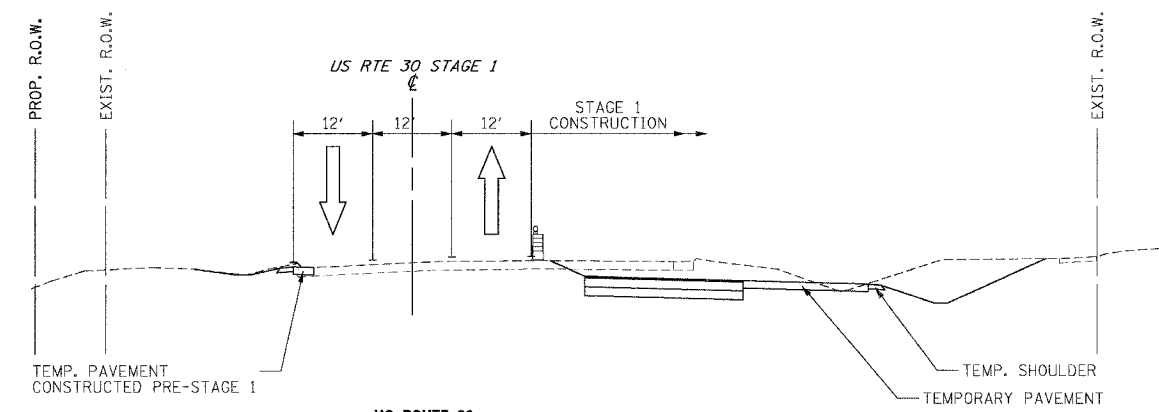


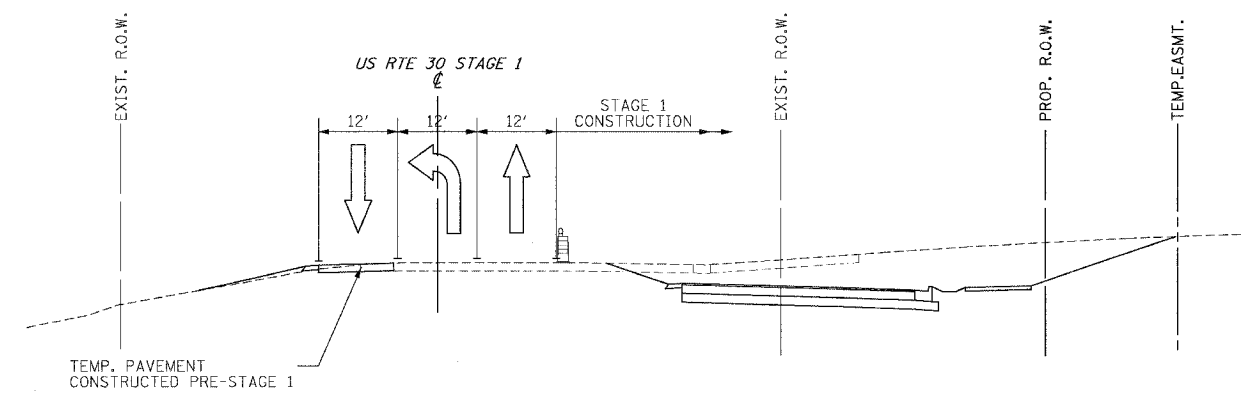
F.A.P. RTE.	SECTION	COUNTY	TOTAL SHEETS	SHEET NO
353	12R - 4	WILL	199	39
STA.		TO STA.		
FED. ROAD DIST. NO.		ILLINOIS	FED. AID PROJECT	



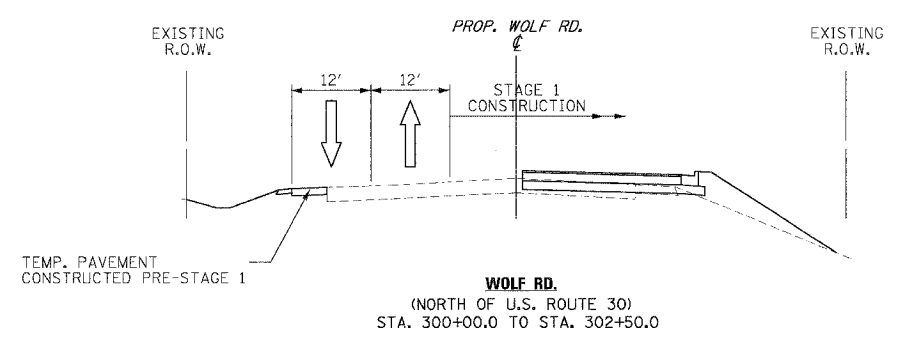
US ROUTE 30
STA. 500+00 TO STA. 519+10.6



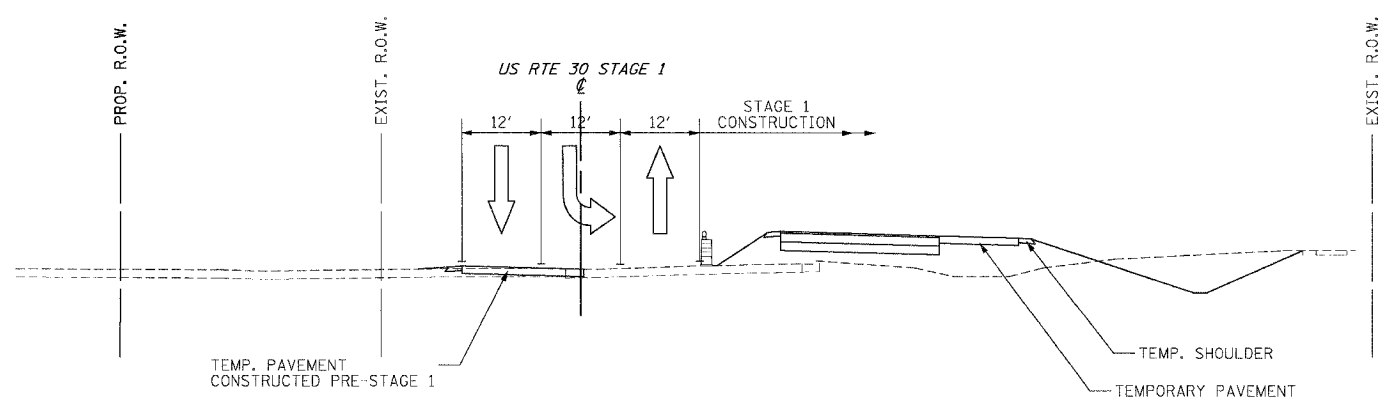
US ROUTE 30
STA. 529+50.0 TO STA. 539+00.0



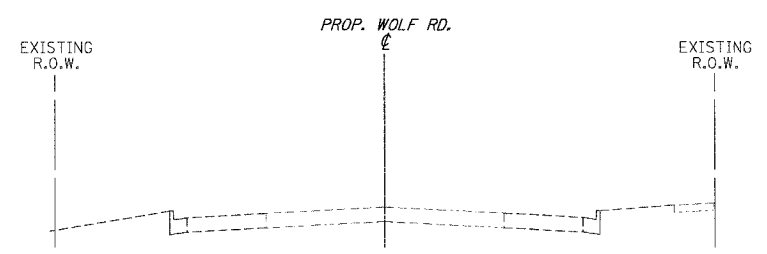
US ROUTE 30
STA. 519+10.6 TO STA. 524+25.0



WOLF RD.
(NORTH OF U.S. ROUTE 30)
STA. 300+00.0 TO STA. 302+50.0



US ROUTE 30
STA. 524+25.0 TO STA. 529+50.0



EXISTING TYPICAL SECTION
WOLF RD.
(SOUTH OF U.S. ROUTE 30)
STA. 297+50.0 TO STA. 300+00.0

REVISIONS	
NAME	DATE

ILLINOIS DEPARTMENT OF TRANSPORTATION
MAINTENANCE OF TRAFFIC
STAGE 1
U.S. RTE. 30 (LINCOLN HIGHWAY)
SCALE : 1" = 50'
DATE : 03/21/2008
DRAWN BY : BEC
CHECKED BY :