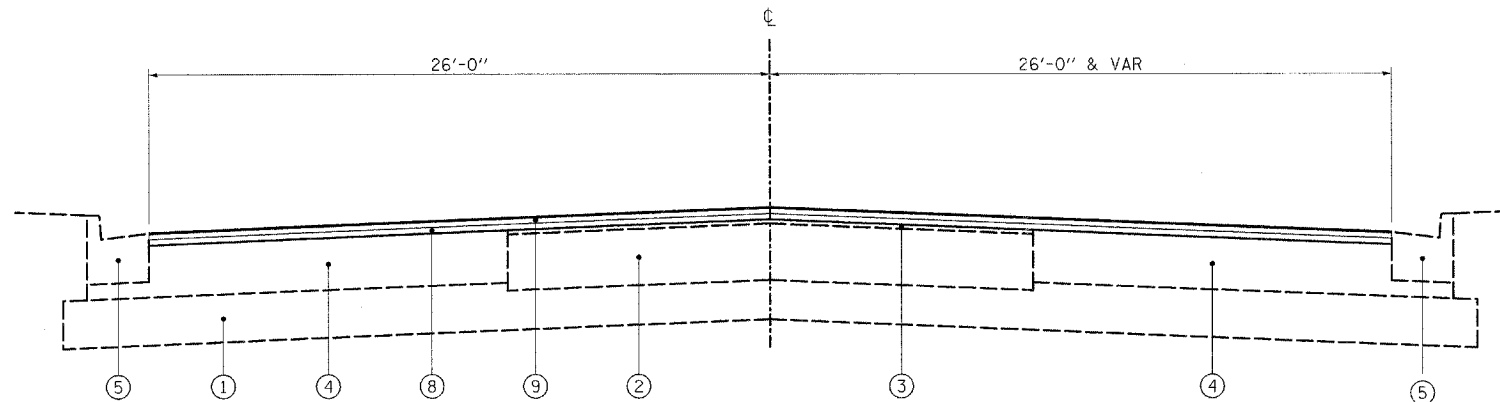


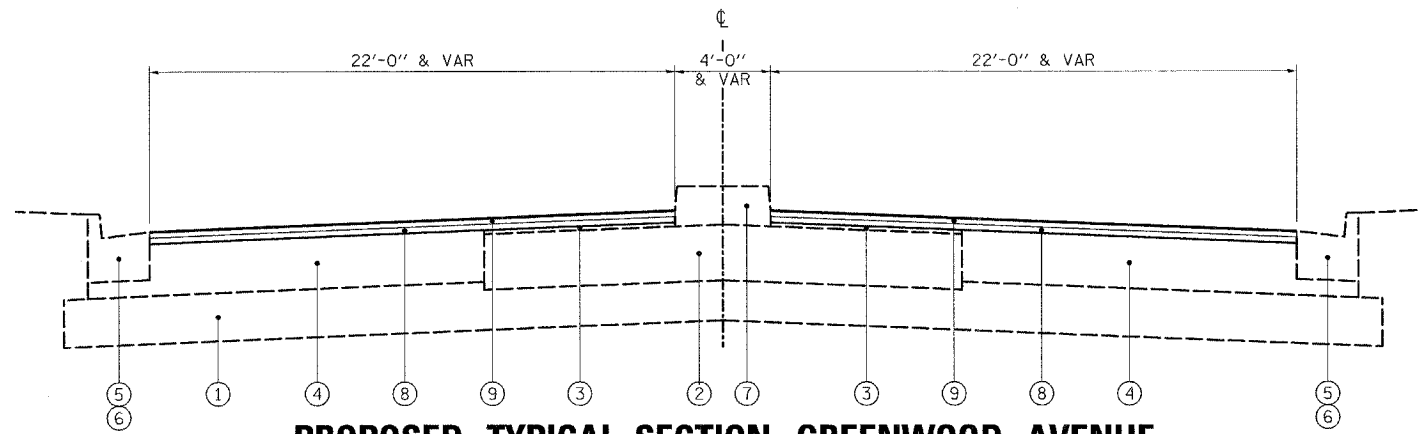
PROPOSED TYPICAL SECTION SHERIDAN ROAD

STA 14+46 TO STA 22+25



PROPOSED TYPICAL SECTION SHERIDAN ROAD

STA 22+25 TO STA 71+27



PROPOSED TYPICAL SECTION GREENWOOD AVENUE

STA 16+08 TO STA 22+04

HOT-MIX ASPHALT MIXTURE

MIXTURE	AC TYPE	AIR VOIDS (%)
POLYMERIZED HOT-MIX ASPHALT SURFACE COURSE, MIX "F", N90 (IL 9.5 mm)	SBS/SBR PG 70-22	4% @ 90 GYR.
POLYMERIZED LEVELING BINDER (MACHINE METHOD), IL-4.75, N50	SBS/SBR PG 76-28/-22	4% @ 50 GYR.
HMA REPLACEMENT OVER PATCHES (HMA BINDER, IL-19 mm)	PG 64-22*	4% @ 70 GYR.
CLASS D PATCH (HMA BINDER, IL-19 mm)	PG 64-22*	4% @ 70 GYR.

THE UNIT WEIGHT USED TO CALCULATE ALL HOT-MIX ASPHALT SURFACE MIXTURES IS 112 LBS/SQ YD/IN

* WHEN RAP EXCEEDS 20%, THE NEW ASPHALT BINDER IN THE MIX SHALL BE PG 58-22.

LEGEND

- ① EXISTING AGGREGATE BASE COURSE
- ② EXISTING PCC PAVEMENT, 14"
- ③ EXISTING HOT-MIX ASPHALT PAVEMENT, 4" (BEFORE SURFACE REMOVAL)
- ④ EXISTING HOT-MIX ASPHALT PAVEMENT, 16" (BEFORE SURFACE REMOVAL)
- ⑤ EXISTING COMBINATION CURB AND GUTTER, TYPE B-6.24
- ⑥ EXISTING COMBINATION CURB AND GUTTER, TYPE B-6.12
- ⑦ EXISTING MEDIAN
- ⑧ PROPOSED POLYMERIZED LEVELING BINDER (MACHINE METHOD), IL-4.75, N50, 3/4"
- ⑨ PROPOSED POLYMERIZED HOT-MIX ASPHALT SURFACE COURSE, "MIX F", N90, 1 3/4"

DATE = 5/27/2008
 FILE NAME = R:\11225580\Drawings\11225580\11225580.dgn
 PLOT SCALE = 1/4" = 1'-0"
 USER NAME = jmartin
 MODEL = Default



200 West Front Street
Wheaton, IL 60187

DESIGNED - LCM	REVISED -
DRAWN - LCM	REVISED -
CHECKED - BLB	REVISED -
DATE - 5/23/08	REVISED -

**STATE OF ILLINOIS
DEPARTMENT OF TRANSPORTATION**

**IL ROUTE 137 (GREENWOOD AVE. - BLANCHARD RD.)
PROPOSED TYPICAL SECTIONS**

SCALE: SHEET NO. OF SHEETS STA. TO STA.

F.A.P. RTE. 352	SECTION (E, M, D) RS-6	COUNTY LAKE	TOTAL SHEETS 21	SHEET NO. 5
CONTRACT NO. 60E56				
FED. ROAD DIST. NO. 1 (ILLINOIS) FED. AID PROJECT				