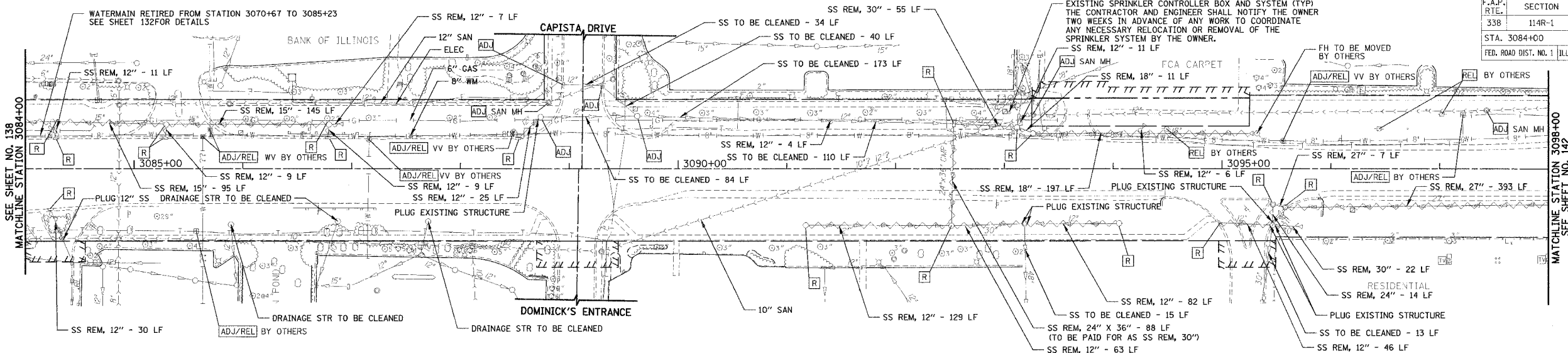
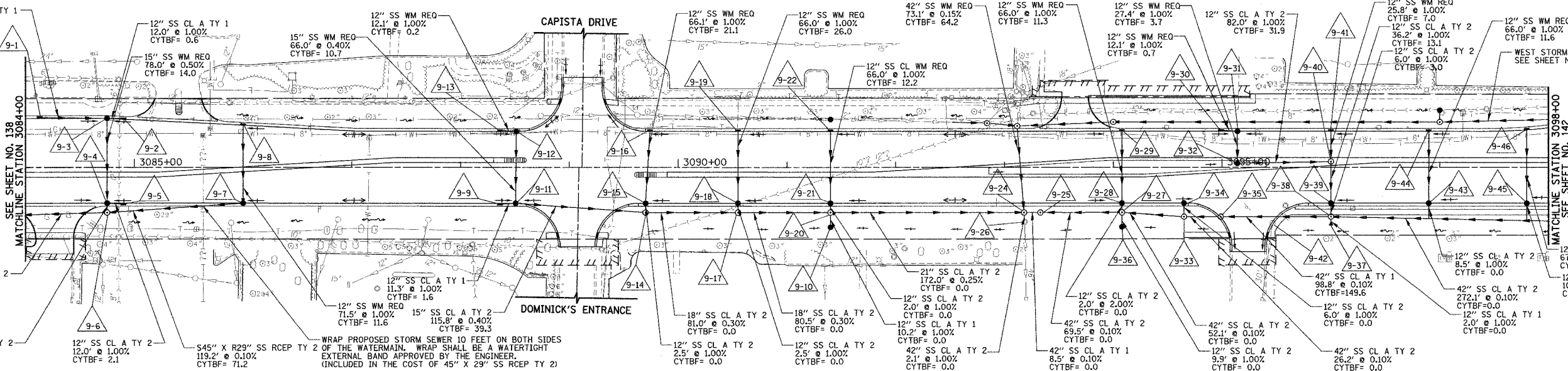


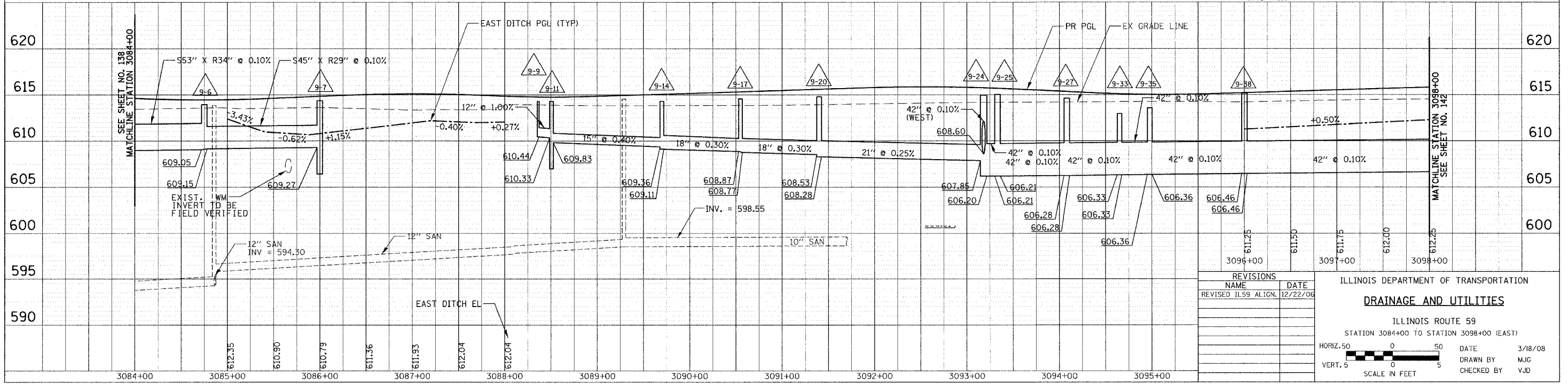
F.A.P. RTE.	SECTION	COUNTY	TOTAL SHEETS	SHEET NO.
338	114R-1	WILL	355	140
STA. 3084+00		TO STA. 3098+00		
FED. ROAD DIST. NO. 1 ILLINOIS FED. AID PROJECT				



EXISTING VIEW



PROPOSED VIEW



REVISIONS	NAME	DATE
1	REVISED ILS9 ALIGN.	12/22/06

ILLINOIS DEPARTMENT OF TRANSPORTATION
DRAINAGE AND UTILITIES
 ILLINOIS ROUTE 59
 STATION 3084+00 TO STATION 3098+00 (EAST)

HORIZ. 50' SCALE IN FEET
 VERT. 5' SCALE IN FEET

DATE 3/18/08
 DRAWN BY MJG
 CHECKED BY VJD

DATE	BY	REVISIONS
		1. PLAN REVISIONS
		2. PROFILE REVISIONS
		3. UTILITY REVISIONS
		4. STRUCTURE NOTATIONS (S)

DATE	BY	REVISIONS
		1. PROFILE REVISIONS
		2. UTILITY REVISIONS
		3. STRUCTURE NOTATIONS (S)

FOR DRAINAGE LEGEND
 SEE SHEET NO. 132