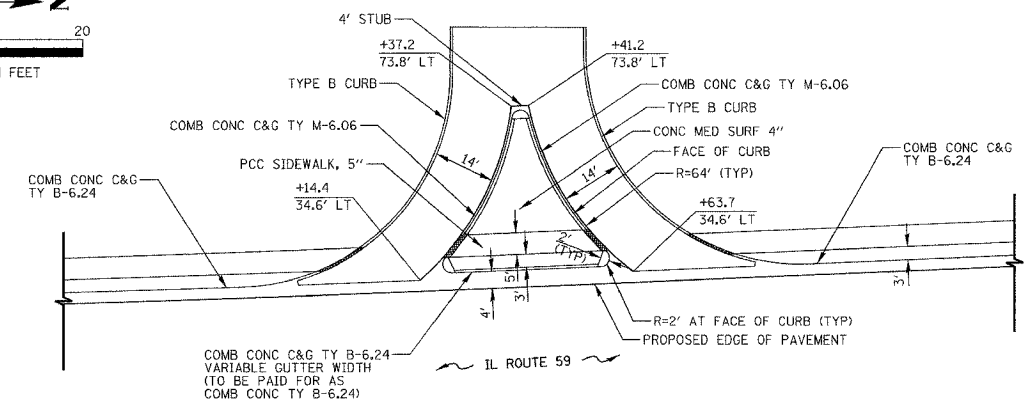
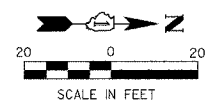
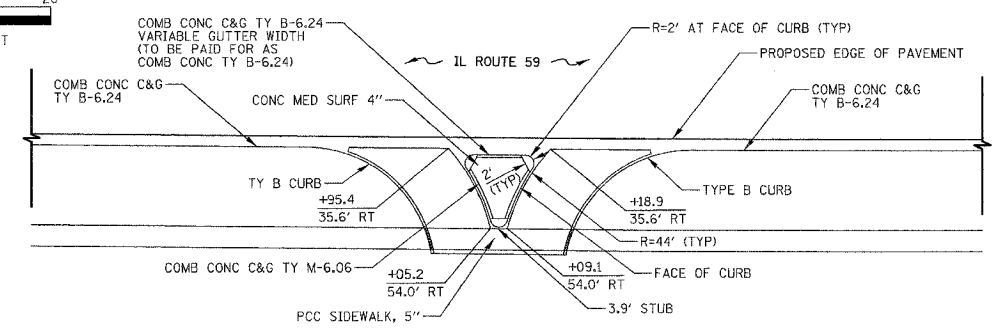
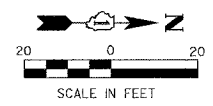


F.A.P. RTE.	SECTION	COUNTY	TOTAL SHEETS	SHEET NO.
338	114R-1	WILL	355	189
STA.	TO STA.			
FED. ROAD DIST. NO. 1 ILLINOIS FED. AID PROJECT				



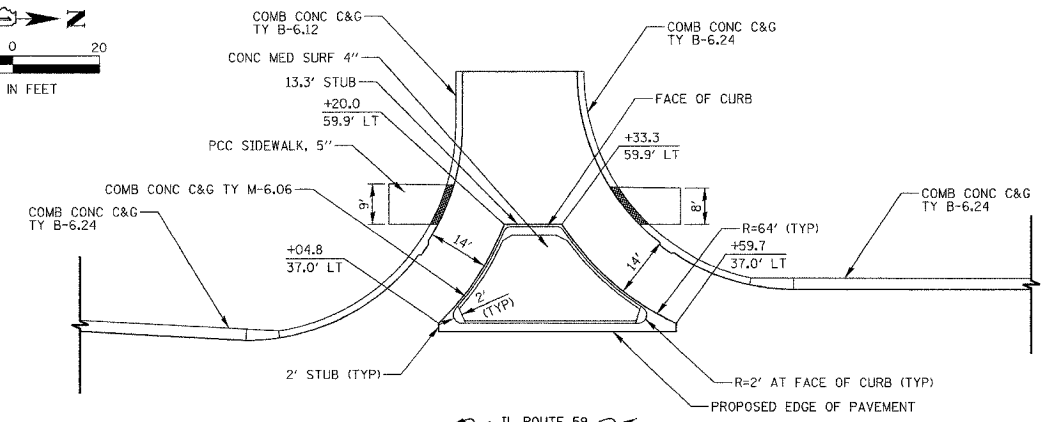
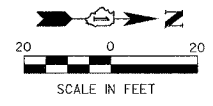
ISLAND DETAIL
IL ROUTE 59
STATION 3035+39 LT

NOTE: PROPOSED ISLANDS SHALL BE CONSTRUCTED IN ACCORDANCE WITH STANDARD 606301



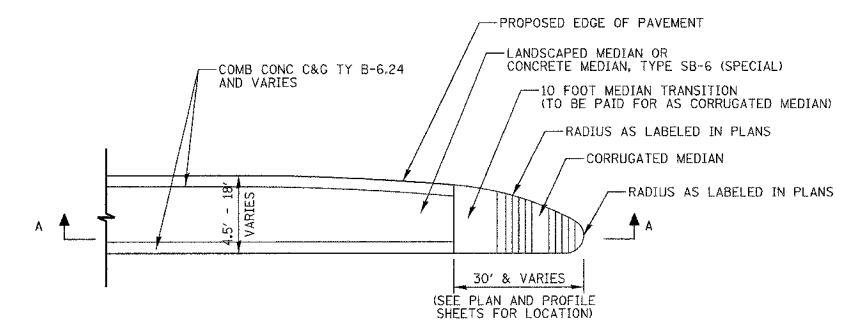
ISLAND DETAIL
IL ROUTE 59
STATION 3065+07 RT

NOTE: PROPOSED ISLANDS SHALL BE CONSTRUCTED IN ACCORDANCE WITH STANDARD 606301



ISLAND DETAIL
IL ROUTE 59
STATION 3079+24 LT

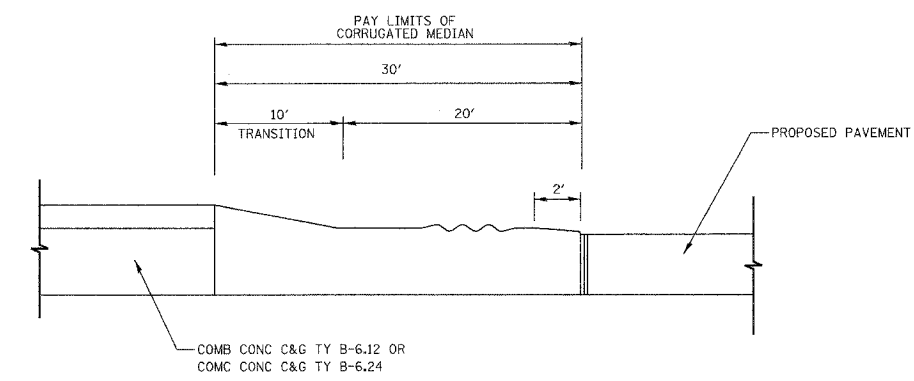
NOTE: PROPOSED ISLANDS SHALL BE CONSTRUCTED IN ACCORDANCE WITH STANDARD 606301



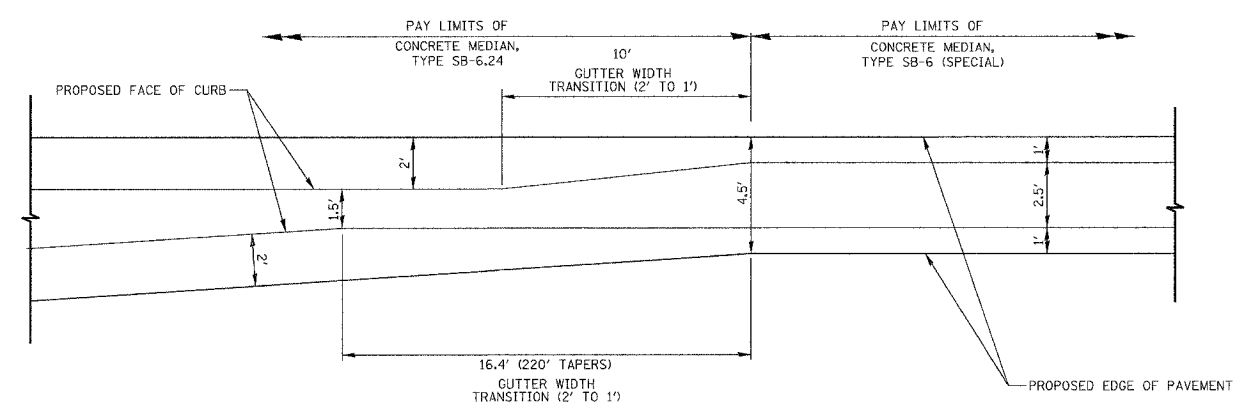
CORRUGATED MEDIAN

AT INTERSECTIONS

NOTE: CORRUGATED MEDIAN SHALL BE CONSTRUCTED IN ACCORDANCE WITH APPLICABLE PORTIONS OF STANDARD 606306



SECTION A - A



CONCRETE MEDIAN TYPE SB-6 (SPECIAL)

SINGLE LEFT TURN BAYS AT INTERSECTIONS

NOTE: CONCRETE MEDIAN SHALL BE CONSTRUCTED IN ACCORDANCE WITH APPLICABLE PORTIONS OF STANDARD 606301

DATE	3/1/08
NO.	1
DATE	
NO.	
DATE	
NO.	
DATE	
NO.	

DATE	3/1/08
NO.	1
DATE	
NO.	
DATE	
NO.	
DATE	
NO.	

REVISIONS	
NAME	DATE
REVISED IL59 ALIGN.	12/22/06

ILLINOIS DEPARTMENT OF TRANSPORTATION
ISLAND AND MEDIAN DETAILS
ILLINOIS ROUTE 59

DATE 3/18/08
DRAWN BY MJG
CHECKED BY VJD

SCALE: NONE