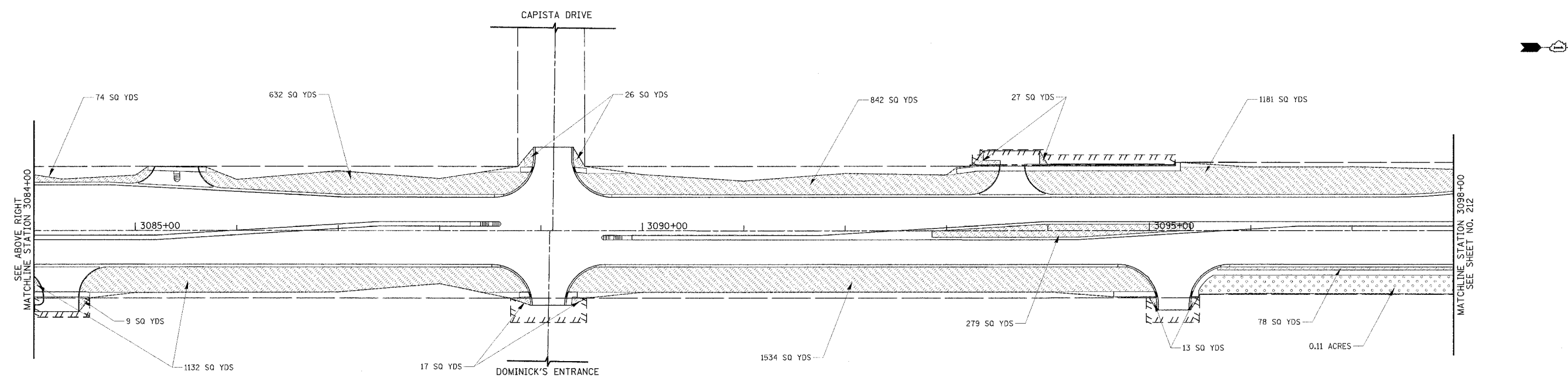
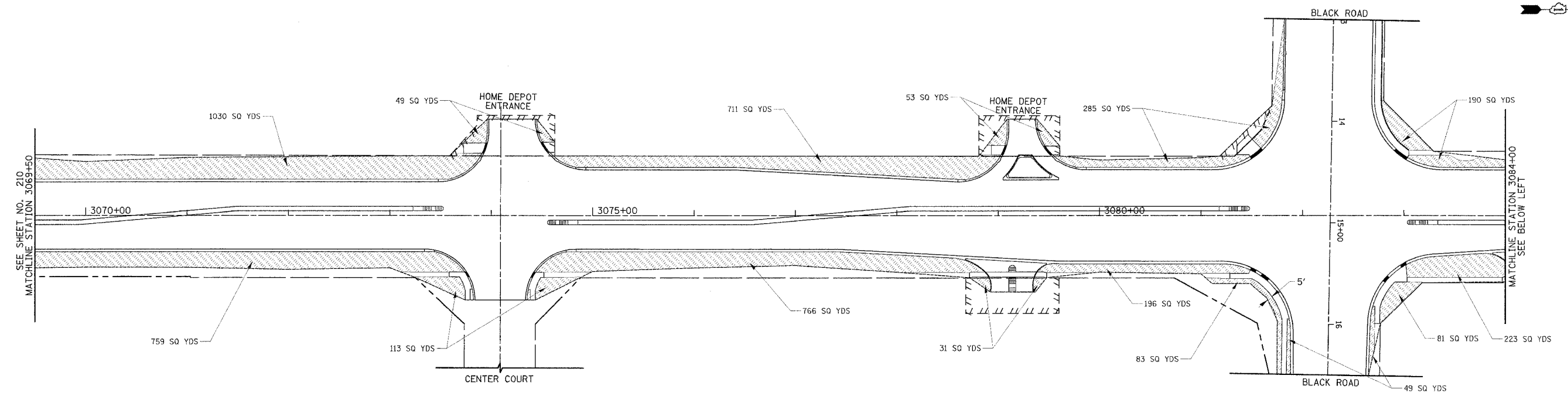


F.A.P. RTE.	SECTION	COUNTY	TOTAL SHEETS	SHEET NO.
338	114R-1	WILL	355	211
STA. 3069+50 TO STA. 3098+00				
FED. ROAD DIST. NO. 1 ILLINOIS FED. AID PROJECT				



SEE SHEET 209 FOR LEGEND

DATE	BY	REVISION

DATE	BY	REVISION

REVISIONS	
NAME	DATE
REVISED IL59 ALIGN.	12/22/06

ILLINOIS DEPARTMENT OF TRANSPORTATION

LANDSCAPING PLAN

ILLINOIS ROUTE 59
STATION 3069+50 TO STATION 3098+00
BLACK ROAD
STATION 13+75 TO STATION 16+50

DATE 3/18/08
DRAWN BY MJG
CHECKED BY VJD

SCALE IN FEET