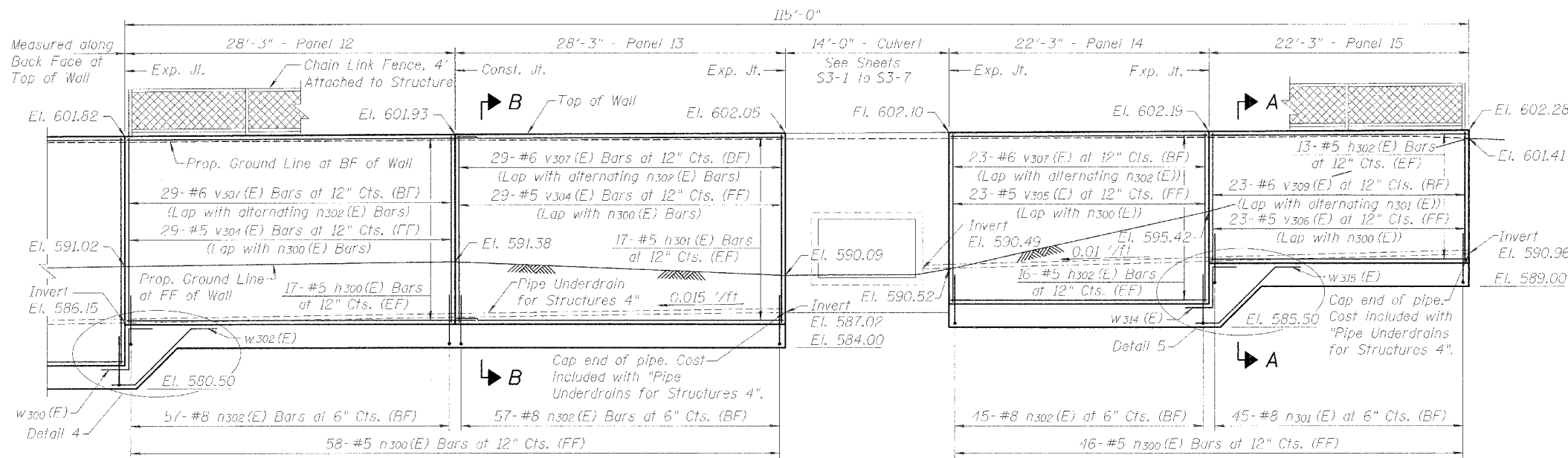


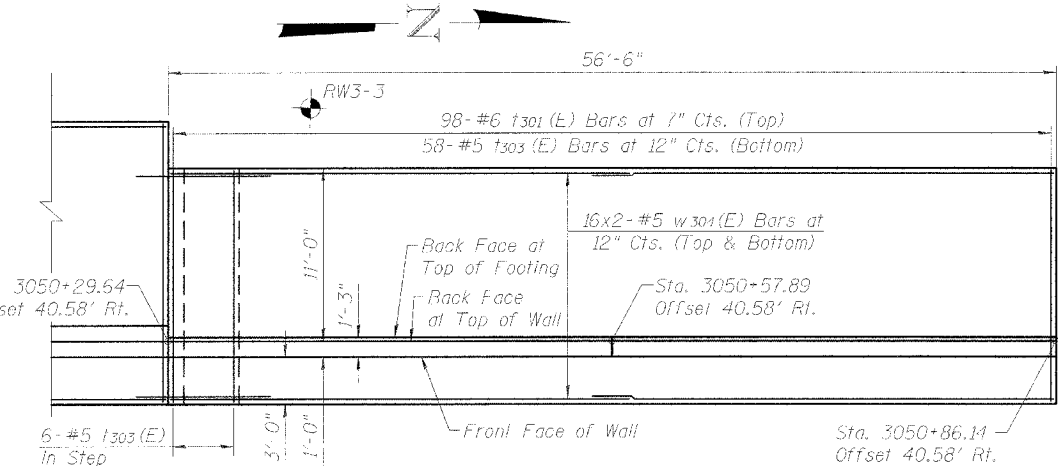
STATE OF ILLINOIS
DEPARTMENT OF TRANSPORTATION

ROUTE NO.	SECTION	COUNTY	TOTAL SHEETS	SHEET NO.
338	114R-1	WILL	355	270
FED. ROAD DIST. NO. 7		ILLINOIS	SHEETS	

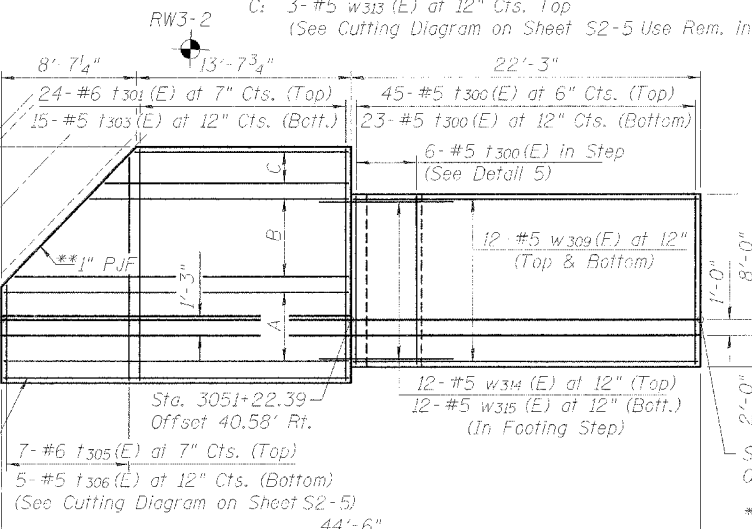
Contract # 62416



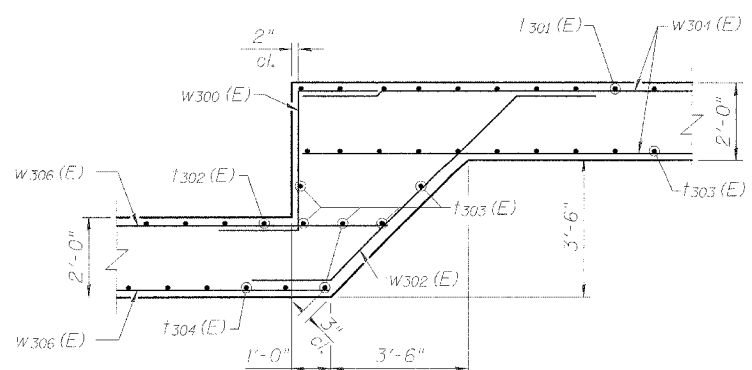
ELEVATION
(Looking West)



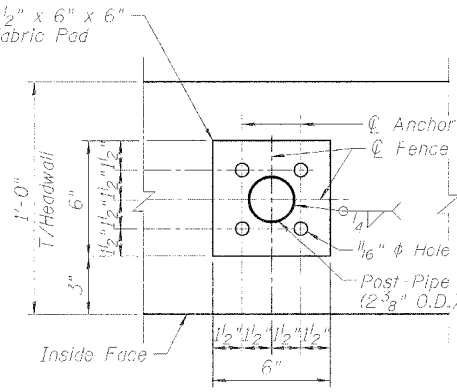
PLAN



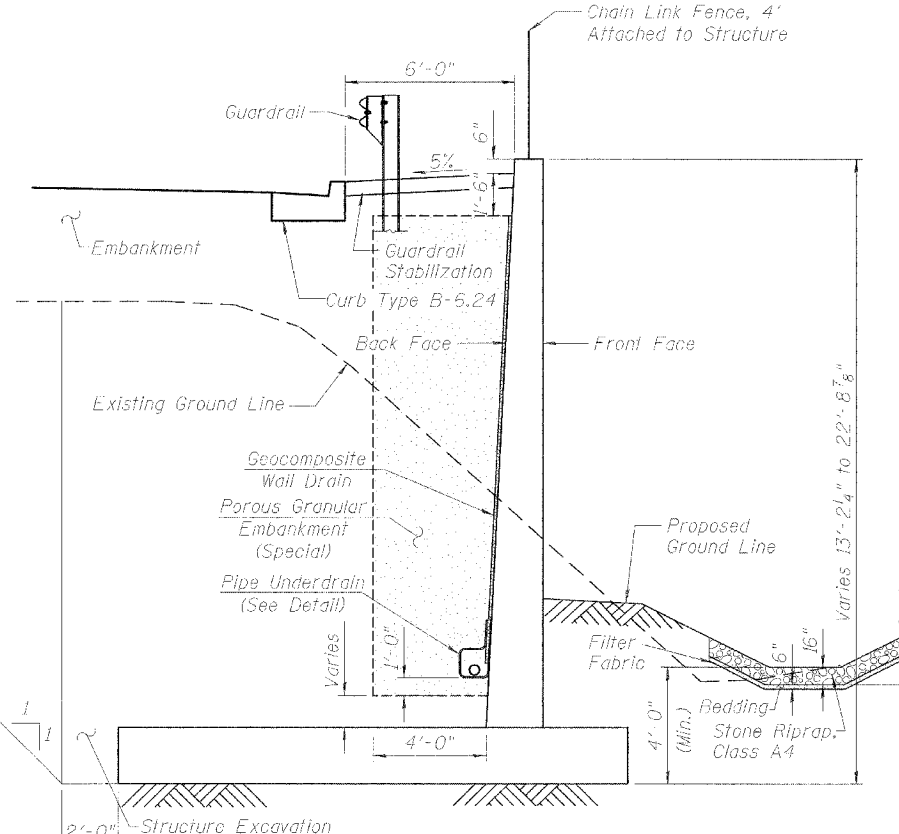
DETAIL 5



DETAIL 4

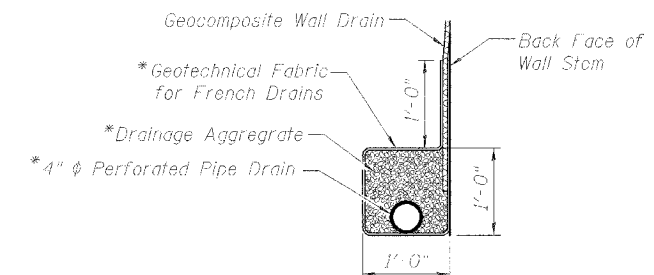


BASE PLATE DETAIL



TYPICAL SECTION THRU WALL

(See roadway drawings for guardrail, guardrail stabilization, embankment and curb details)



PIPE UNDERDRAIN DETAIL

*Included in the cost of "Pipe Underdrains for Structures"

LEGEND

Soil Boring Location

- Notes:
1. For Construction and Expansion Joint details, see Sheet S2-5
 2. Bars indicated thus 16x2-#5 etc. indicates 16 lines of bars with 2 lengths for line.

DESIGNED	SLC
CHECKED	MDS
DRAWN	MDS
CHECKED	SLC

PLAN AND ELEVATION III
RETAINING WALL ALONG IL ROUTE 59
F.A.P. ROUTE 338 SECTION 114R-1
WILL COUNTY
STATION 3047+20.51 TO STATION 3051+44.64
STRUCTURE NO. 099-W016