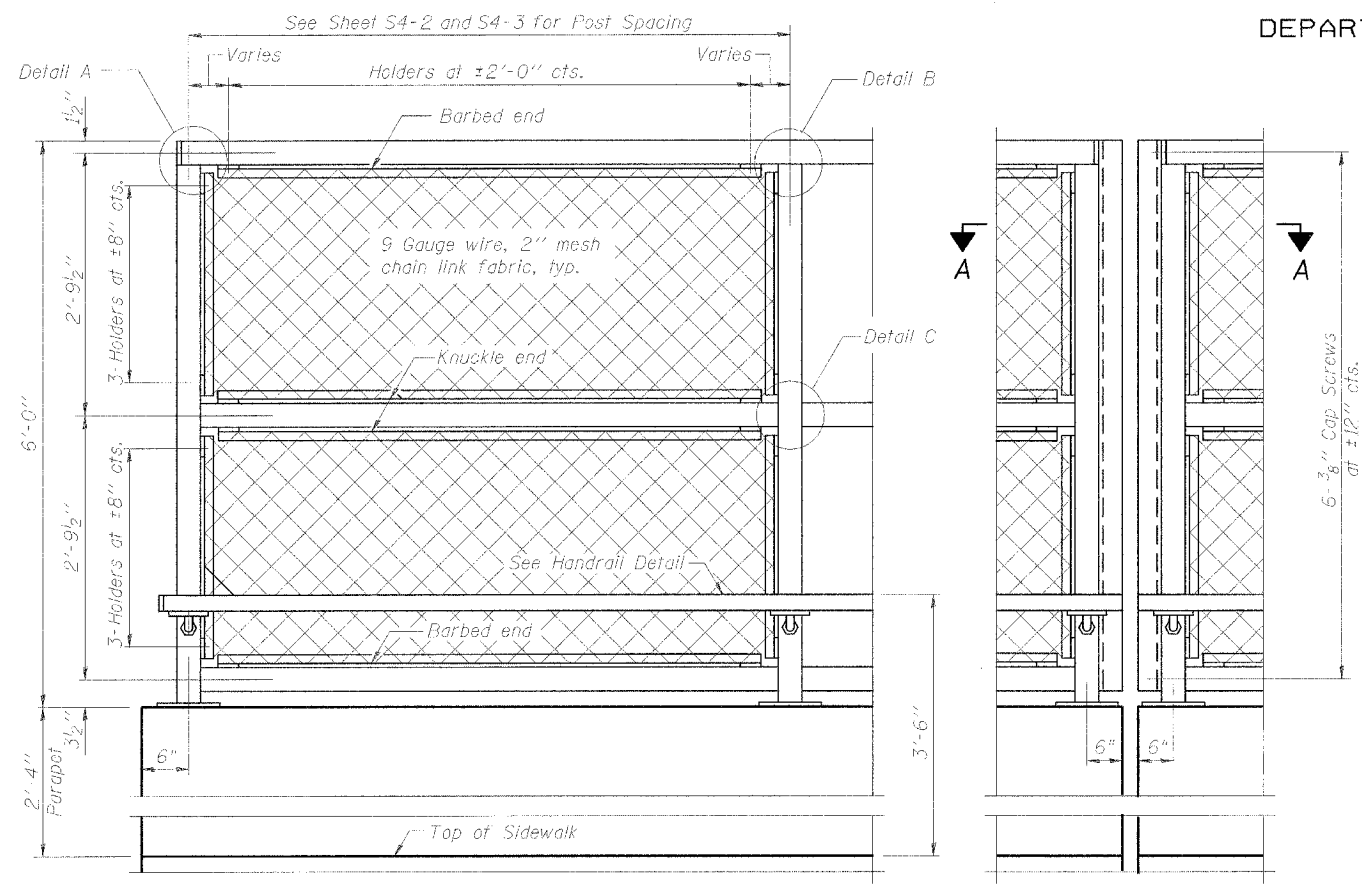


STATE OF ILLINOIS  
DEPARTMENT OF TRANSPORTATION

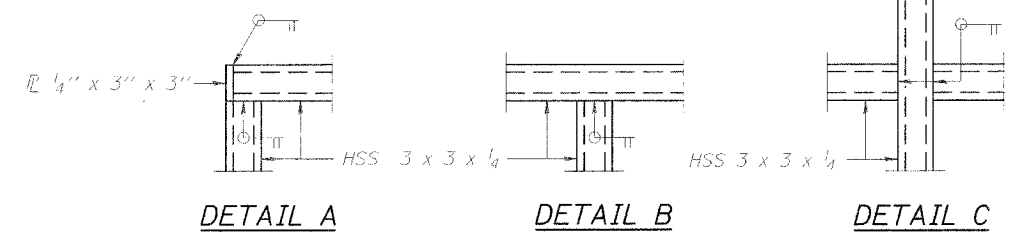
ROUTE NO.	SECTION	QUANTITY	TOTAL SHEETS	SHEET NO.
F.A.P. 338	114R-1	WILL	355	285
FED. ROAD DIST. NO. 7	ILLINOIS	WILL. ROAD PROJECT		

Contract # 62416

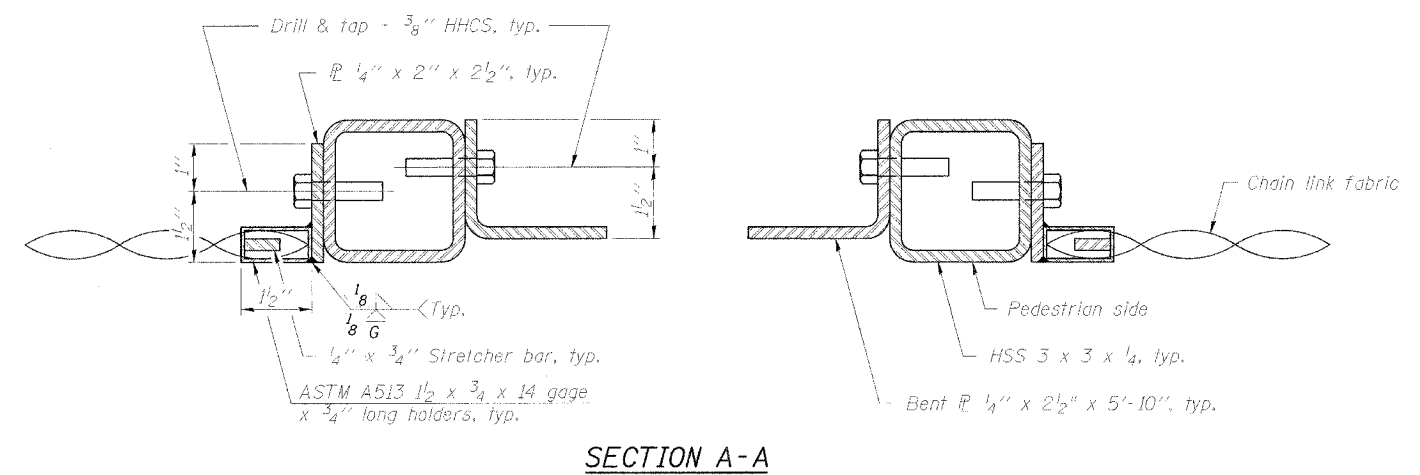


**ELEVATION**  
(Inside Face)

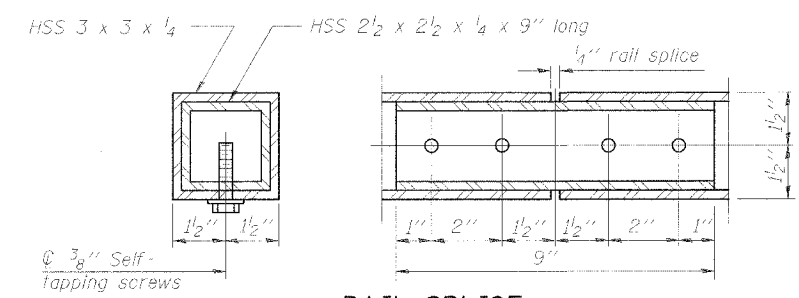
**ELEVATION**  
(At Expansion Joint)



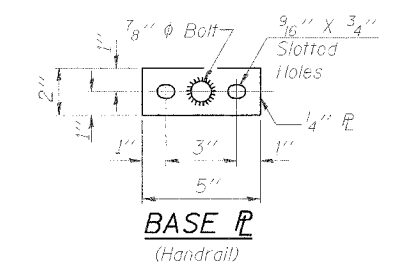
**DETAIL A**      **DETAIL B**      **DETAIL C**



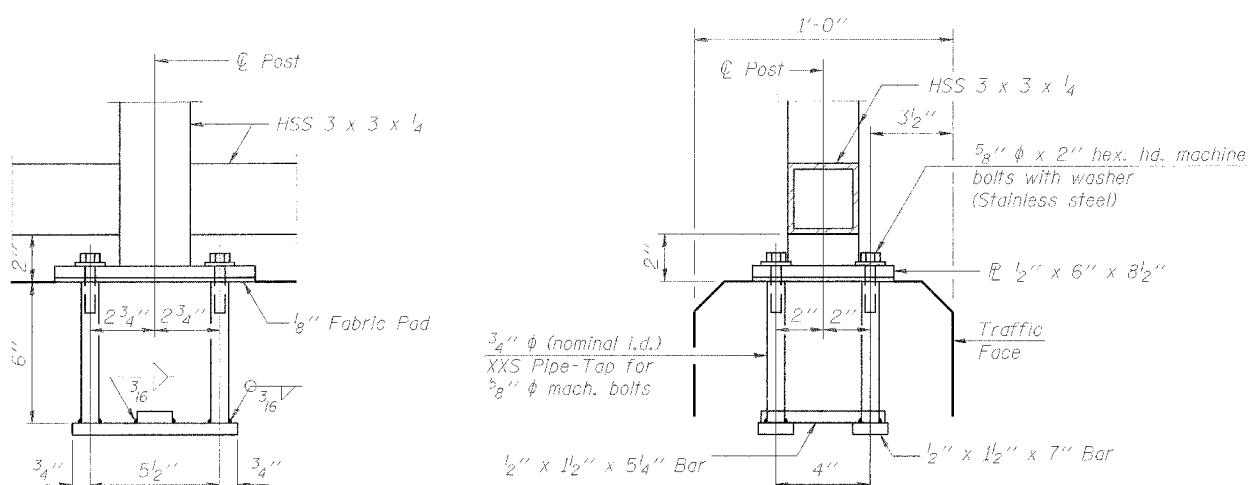
**SECTION A-A**



**RAIL SPLICE**

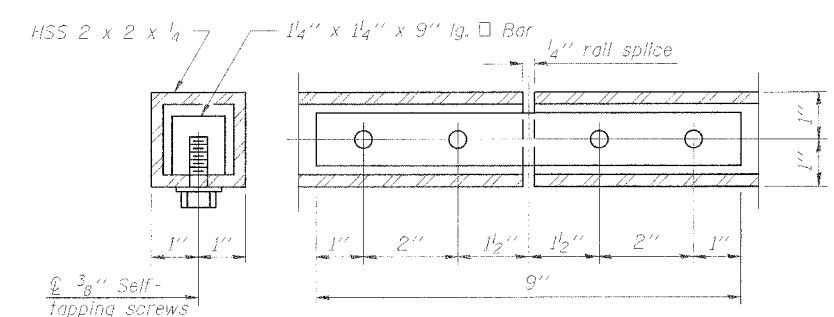


**BASE R**  
(Handrail)

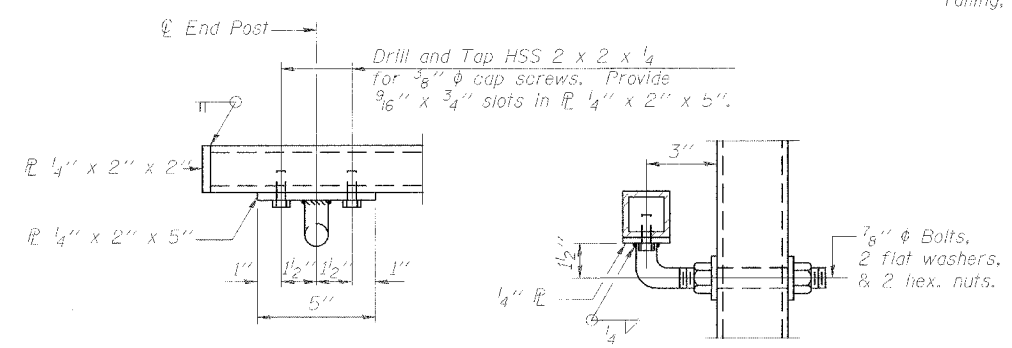


**ANCHOR BOLT DETAILS**

In lieu of the cast-in-place anchor device shown, the Contractor has the option of drilling and setting 5/8" diameter anchor rods according to Article 509.06 of the Standard Specifications. Embedment shall be according to the manufacturer's specifications.



**HANDRAIL SPLICE**



**HANDRAIL DETAIL**

All posts, railing, splices, anchor devices, and bent plates shall be powder coated and the color shall be black.

All galvanized exterior surfaces shall be coated with a urethane or triglycidyl isocyanurate (TGIC) polyester powder to a dry film thickness of 2.0 mils. Prior to application, the surface shall be mechanically etched by brush blasting (Ref. SSPC-SP7) and the zinc coated substrate preheated to 450 degrees F for a minimum one (1) hour. The coating shall be electrostatically applied and cured by elevating the zinc-coated substrate temperature to a minimum of 400 degrees F.

Prior to shipping, the poles and posts shall be wrapped in ultraviolet-inhibiting plastic foam or rubberized foam.

The chain link fabric shall conform to the requirements of Article 1006.27(a)(1) of the Standard Specifications, and shall be vinyl coated to match the black powder coating on all posts, railing, splices, anchor devices and bent plates.

**BILL OF MATERIAL**

Item	Unit	Quantity
Pedestrian Railing	Foot	186

**PEDESTRIAN RAILING**

RETAINING WALL ALONG IL ROUTE 59  
F.A.P. ROUTE 338 SECTION 114R-1  
WILL COUNTY  
STATION 3051+60.30 TO STATION 3053+56.25  
STRUCTURE NO. 099-W017



851 PERIMETER DRIVE, SUITE 8025  
SCHAMPAINE, IL 61877-5098  
TEL (847) 605-9600  
FAX (847) 605-9510

DESIGNED	SLC
CHECKED	MDS
DRAWN	MDS
CHECKED	SLC

BLUSER: BDALES - Q:\02\0002\STRUCTURE\ASHEETS\collr\csh1