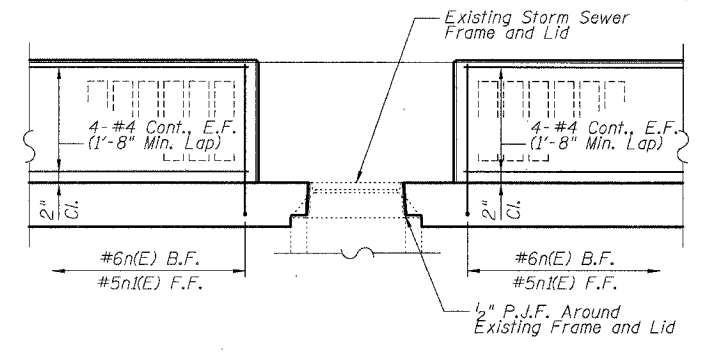
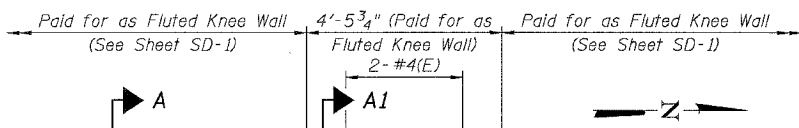


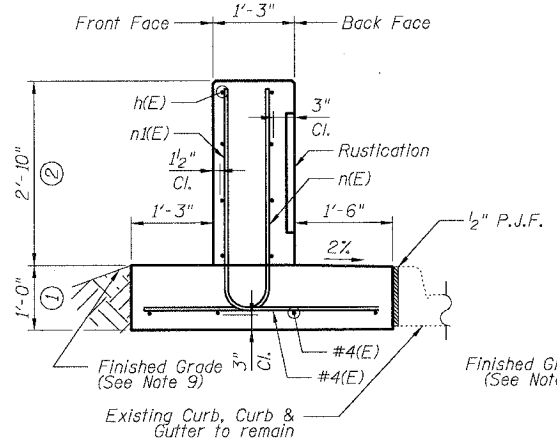
F.A.I.	SECTION	COUNTY	TOTAL SHEETS	SHEET NO.
94/90	*	COOK	30	15
STA.	TO STA.			
FED. ROAD DIST. NO.	ILLINOIS	FED. AID PROJECT		
62989				



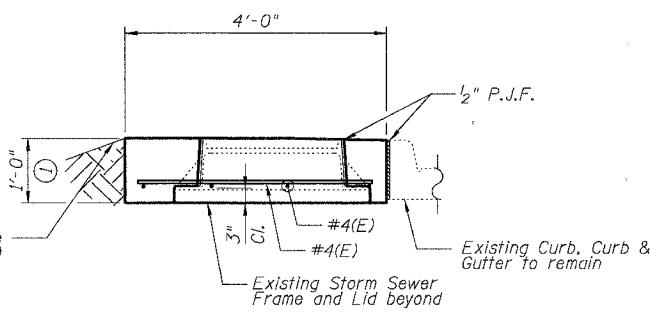
DETAIL A - ELEVATION



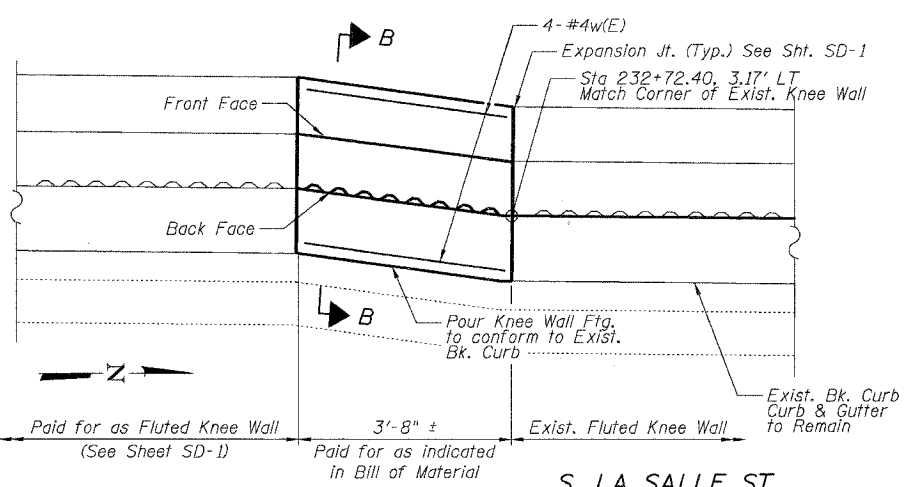
DETAIL A - PLAN



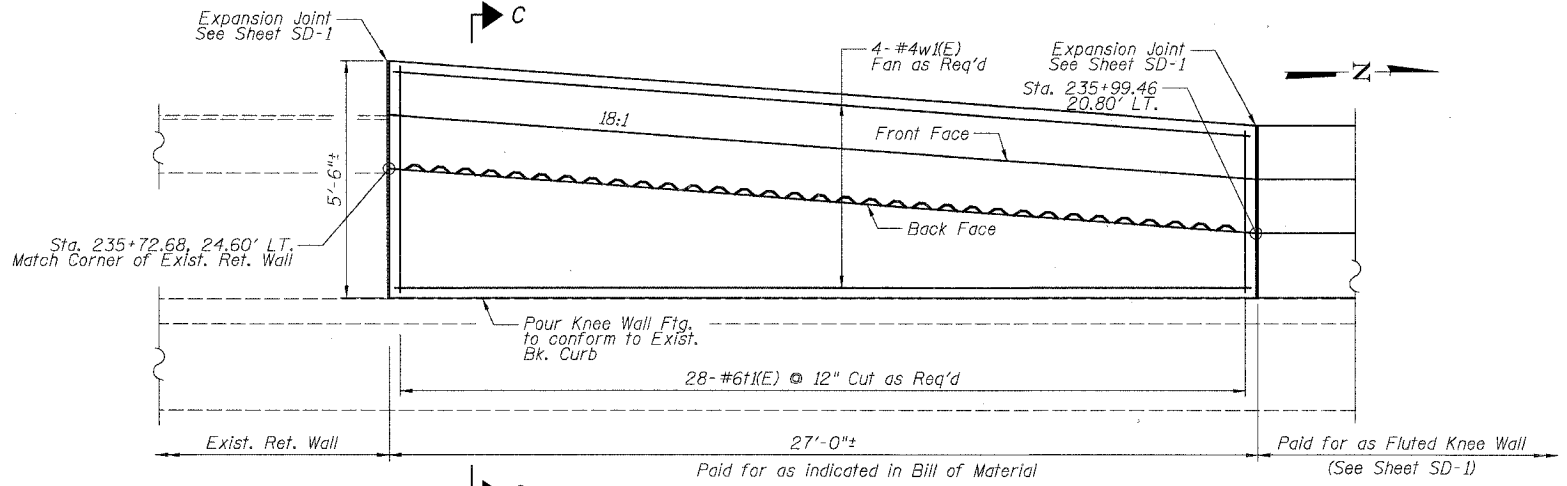
SECTION A-A



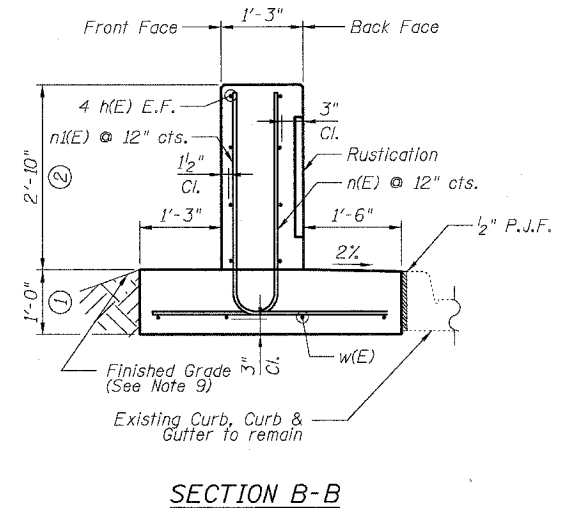
SECTION A1-A1



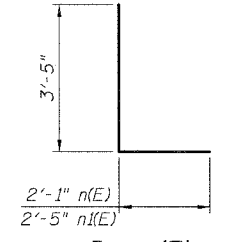
DETAIL B



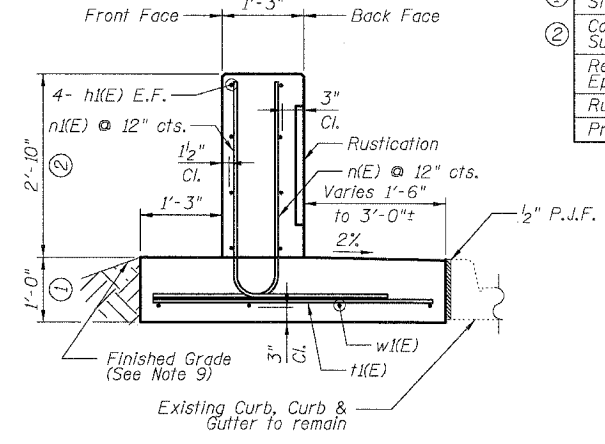
DETAIL C



SECTION B-B



Bar n(E) & n1(E)



SECTION C-C

DETAIL B REINFORCEMENT SCHEDULE AND BILL OF MATERIAL

Bar	No.	Size	Length	Shape
h(E)	8	#4	3'-2"	
n(E)	4	#6	5'-6"	L
n1(E)	4	#5	5'-10"	L
w(E)	4	#4	3'-2"	
Item	Unit	Qty.		
① Concrete Structures	Cu. Yd.	0.6		
② Concrete Superstructure	Cu. Yd.	0.5		
Reinforcement Bars, Epoxy Coated	Pound	90		
Rustication Finish	Sq. Ft.	7		
Protective Coat	Sq. Yd.	3		

DETAIL C REINFORCEMENT SCHEDULE AND BILL OF MATERIAL

Bar	No.	Size	Length	Shape
h(E)	8	#4	26'-8"	
n(E)	28	#6	5'-6"	L
n1(E)	28	#5	5'-10"	L
11(E)	28	#6	5'-2"	
w1(E)	4	#4	26'-8"	
Item	Unit	Qty.		
① Concrete Structures	Cu. Yd.	4.8		
② Concrete Superstructure	Cu. Yd.	3.6		
Reinforcement Bars, Epoxy Coated	Pound	840		
Rustication Finish	Sq. Ft.	50		
Protective Coat	Sq. Yd.	19		

NOTES:

- All stations and offsets measured from S. La Salle St.  $\phi$ .
- Back Face is face adjacent to Frontage Rd. and Front Face is face adjacent to Expressway.
- Concrete:  $f'c = 3500$  psi
- Provide California Finish on top of foundation between stem and Frontage Road. See Roadway Details.
- At locations where Fluted Knee Wall abuts a rigid structure, a 2" thick Preformed Expansion Joint Filler conforming to the shape of the structure shall be installed between the Fluted Knee Wall and the Structure.
- Apply Protective Coat to top and back face of stem and top of Frontage Road side of foundation.
- For Fluted Knee Wall standard details, see Sheet SD-1
- B.F. = Back Face (Frontage Road Side)  
F.F. = Front Face (Expressway Side)  
E.F. = Each Face
- Shape finished grade as required to match existing conditions.
- P.J.F. included in cost of concrete structures.

BOWMAN, BARRETT & ASSOCIATES INC  
CONSULTING ENGINEERS  
Chicago, Illinois  
312.228.0100  
www.bbainc.com

REVISIONS	NAME	DATE

SHEET SD-2  
ILLINOIS DEPARTMENT OF TRANSPORTATION  
F.A.I. 94/90 (DAN RYAN EXPRESSWAY)  
NORTHBOUND KNEE WALLS (45TH ST TO 43RD ST)  
DETAILS A, B, & C  
SCALE: NTS  
DATE: 04/25/08  
DRAWN BY: TL  
CHECKED BY: BLU