

F.A.I.	SECTION	COUNTY	TOTAL SHEETS	SHEET NO.
94/90	*	COOK	27	13
STA.	TO STA.			
FED. ROAD DIST. NO.	ILLINOIS	FED. AID PROJECT		
62990				

BILL OF MATERIAL


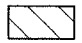
Item	Unit	Qty.*
Concrete Structures	Cu. Yd.	0.15
Concrete Superstructure	Cu. Yd.	0.13
Reinforcement Bars, Epoxy Coated	Pound	22.69
Rustication Finish	Sq. Ft.	1.83
Protective Coat	Sq. Yd.	0.62

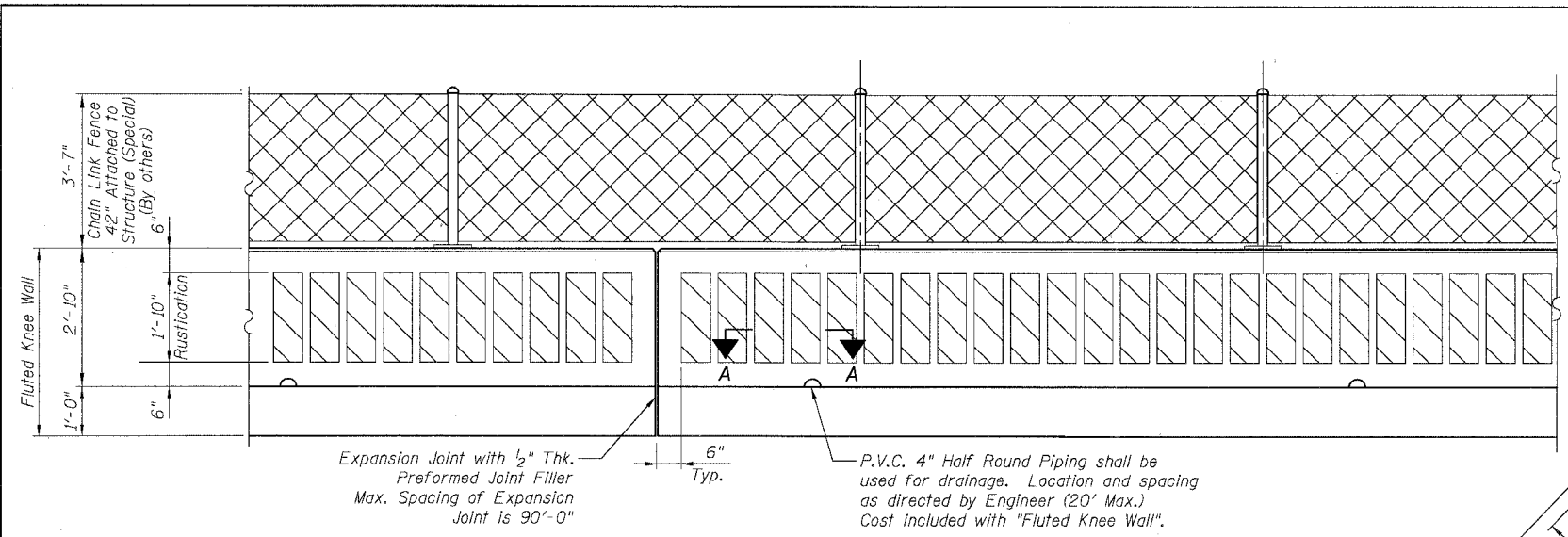
* Quantities are per foot of Fluted Knee Wall and are provided for estimating purposes only. See Note 5.

NOTES:

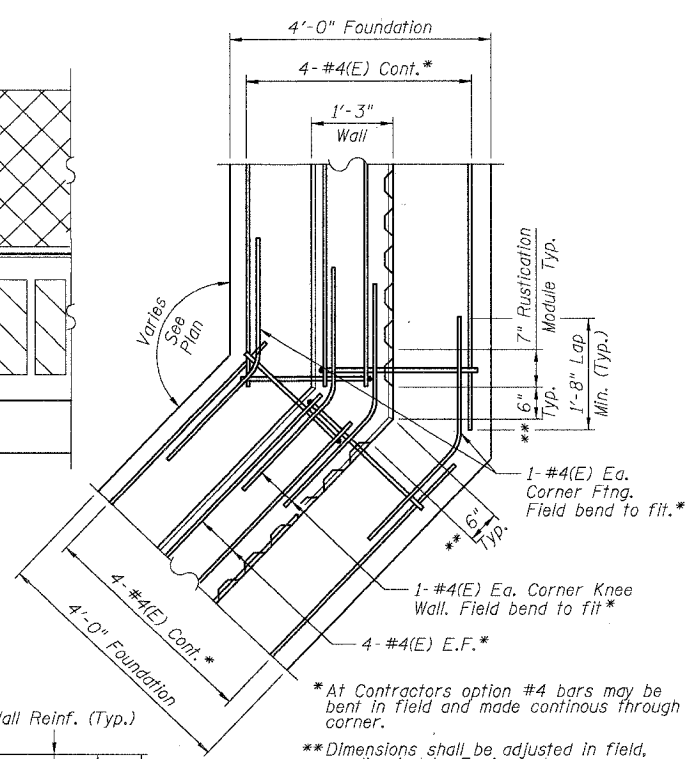
- Back Face is face adjacent to Frontage Rd. and Front Face is face adjacent to Expressway.
- Concrete: f'c = 3500 psi
- Provide California Finish on top of foundation between stem and Frontage Road. See Roadway Details. Cost included with "Fluted Knee Wall".
- At locations where Fluted Knee Wall abuts a rigid Structure, a 1/2" thick Preformed Expansion Joint Filler conforming to the shape of the Structure shall be installed between the Wall and the Structure.
- "Fluted Knee Wall" shall include Concrete Superstructure stem, Concrete Structures foundation, Reinforcement Bars, Epoxy Coated, all form liners for Rustication Finish, Protective Coat and Preformed Joint Filler (P.J.F.).
- Apply Protective Coat to top and front face of stem and top of Frontage Road side of foundation.
- Cost included with "Fluted Knee Wall".
- Chain Link Fence 42" Attached to Structure (Special) will not be paid for in this Contract, but shall be furnished and installed in a future Contract by others.
- See Roadway Plans for limits of excavation for Fluted Knee Wall.

LEGEND:

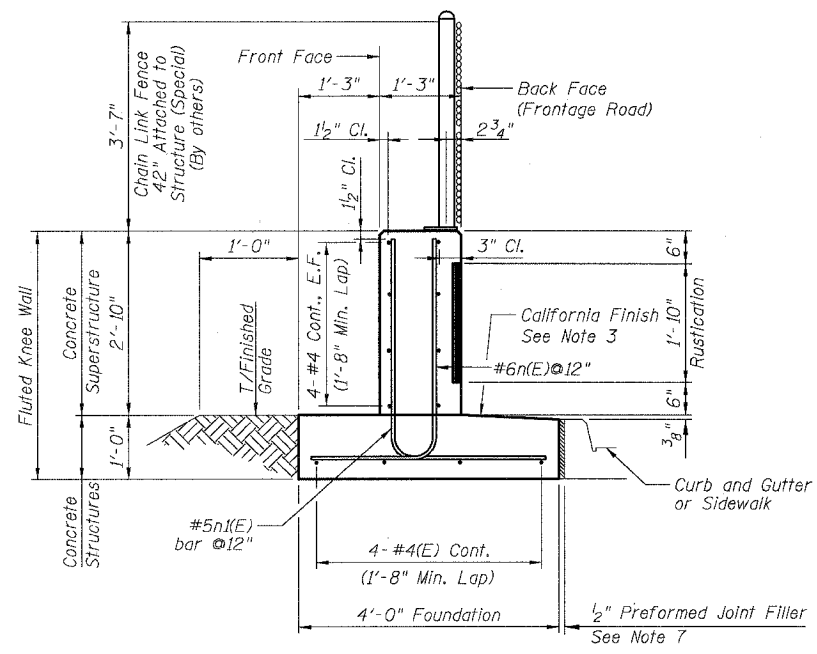
-  Chain Link Fabric
-  Rustication Finish
- E.F. = Each Face



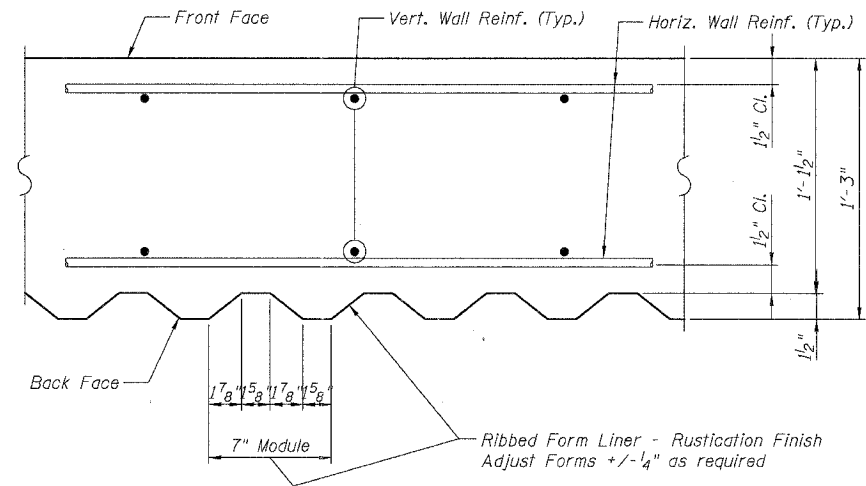
BACK FACE ELEVATION - FLUTED KNEE WALL



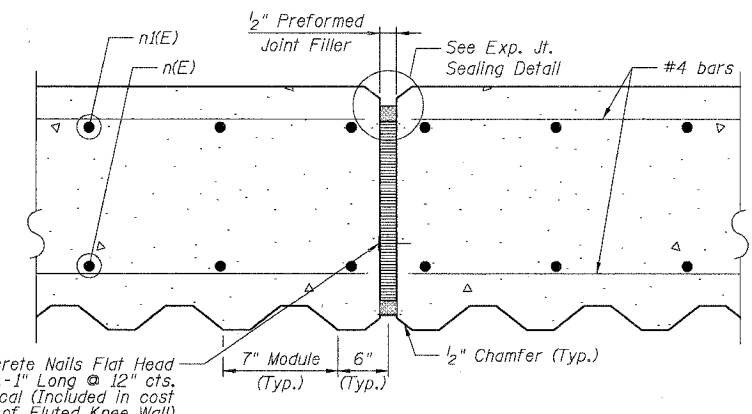
TYPICAL FLUTED KNEE WALL CORNER DETAIL



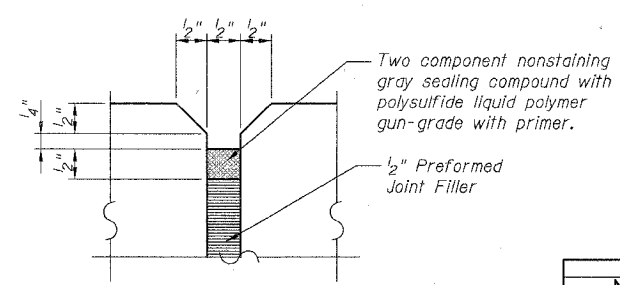
TYPICAL SECTION FLUTED KNEE WALL



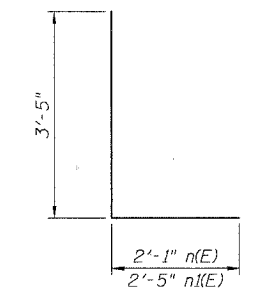
SECTION A-A



EXPANSION JOINT DETAIL



EXPANSION JOINT SEALING DETAIL



BARS n(E) & n(E)

BOWMAN, BARRETT & ASSOCIATES INC.
CONSULTING ENGINEERS
Chicago, Illinois
312.228.0100
www.bbainc.com

REVISIONS	
NAME	DATE

SHEET SD-1
ILLINOIS DEPARTMENT OF TRANSPORTATION
F.A.I. 94/90 (DAN RYAN EXPRESSWAY)
NORTHBOUND KNEE WALLS (43RD ST TO ROOT ST)
FLUTED KNEE WALL
SCALE: NTS
DATE: 04/25/08
DRAWN BY: LAM
CHECKED BY: BLU

W:\66024\94\90\13\13\SD-1.dwg 5/25/08 4/24/2008