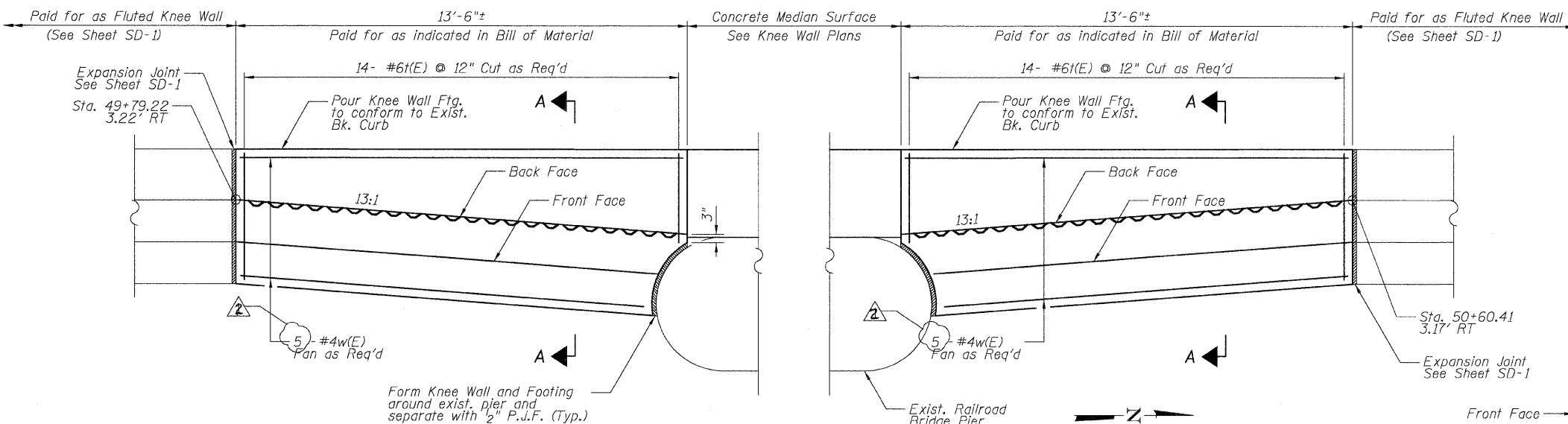


F.A.I.	SECTION	COUNTY	TOTAL SHEETS	SHEET NO.
94/90		COOK	32	16
STA.	TO STA.			
FED. ROAD DIST. NO.	ILLINOIS	FED. AID PROJECT		
62997				

S. WENTWORTH AVE.

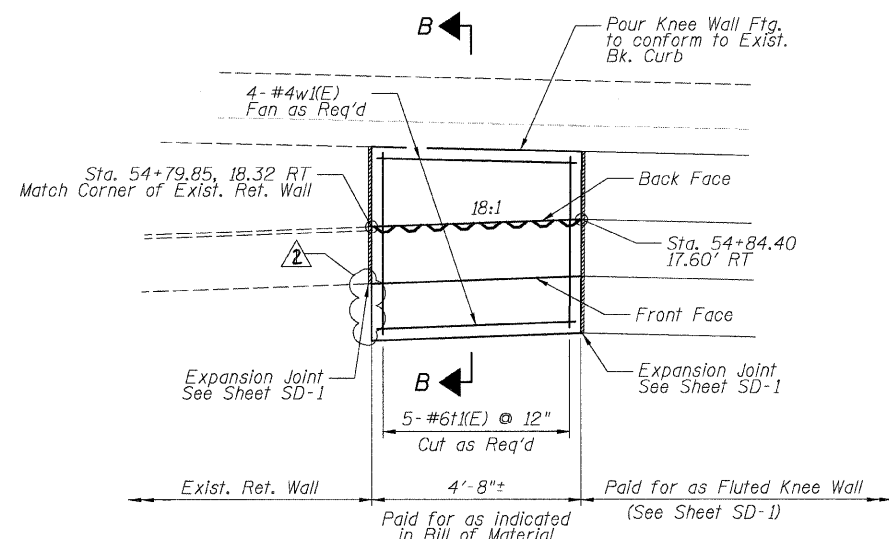


DETAIL A

DETAIL A REINFORCEMENT SCHEDULE AND BILL OF MATERIAL

Bar	No.	Size	Length	Shape
n(E)	16	#4	12'-10"	—
n(E)	28	#6	5'-6"	L
n(E)	28	#5	5'-10"	L
t(E)	28	#6	4'-6"	—
w(E)	10	#4	13'-2"	—
Item	Unit	Qty.		
① Concrete Structures	Cu. Yd.	4.5		
② Concrete Superstructure	Cu. Yd.	3.6		
Reinforcement Bars, Epoxy Coated	Pound	820		
Rustication Finish	Sq. Ft.	50		
Protective Coat	Sq. Yd.	19		

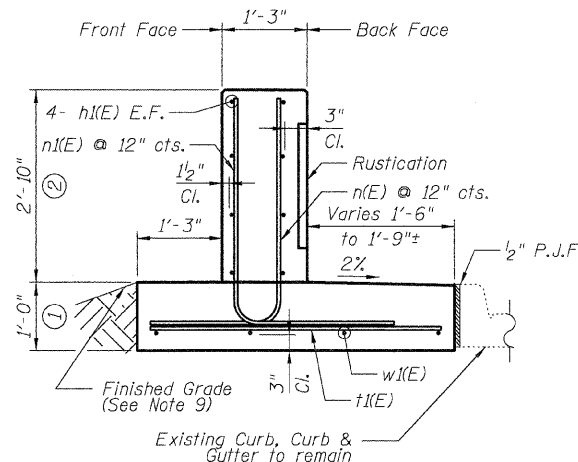
S. WENTWORTH AVE.



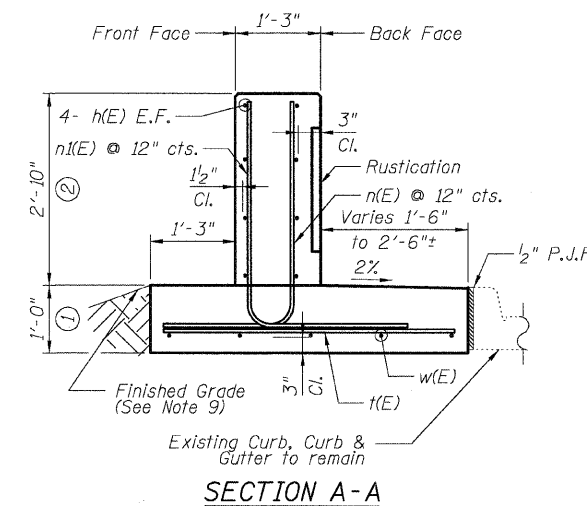
DETAIL B

DETAIL B REINFORCEMENT SCHEDULE AND BILL OF MATERIAL

Bar	No.	Size	Length	Shape
h(E)	8	#4	4'-4"	—
n(E)	5	#6	5'-6"	L
n(E)	5	#5	5'-10"	L
t(E)	5	#6	3'-11"	—
w(E)	4	#4	4'-4"	—
Item	Unit	Qty.		
① Concrete Structures	Cu. Yd.	0.8		
② Concrete Superstructure	Cu. Yd.	0.7		
Reinforcement Bars, Epoxy Coated	Pound	140		
Rustication Finish	Sq. Ft.	9		
Protective Coat	Sq. Yd.	3		



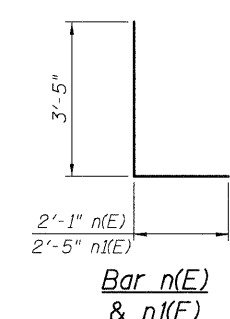
SECTION B-B



SECTION A-A

NOTES:

- All stations and offsets measured from S. Wentworth Ave. \bar{C} .
- Back Face is face adjacent to Frontage Rd. and Front Face is face adjacent to Expressway.
- Concrete: $f'c = 3500$ psi
- Provide California Finish on top of foundation between stem and Frontage Road. See Roadway Details.
- At locations where Fluted Knee Wall abuts a rigid Structure, a $\frac{1}{2}$ " thick Preformed Expansion Joint Filler conforming to the shape of the Structure shall be installed between the Fluted Knee Wall and the Structure.
- Apply Protective Coat to top and back face of stem and top of Frontage Road side of foundation.
- For Fluted Knee Wall standard details, see Sheet SD-1
- B.F. = Back Face (Frontage Road Side)
F.F. = Front Face (Expressway Side)
E.F. = Each Face
- Shape finished grade as required to match existing conditions.
- P.J.F. included in cost of concrete structures.



Bar n(E) & h(E)

REVISIONS	
NAME	DATE
ADDENDUM 1	7-16-08

SHEET SD-2

ILLINOIS DEPARTMENT OF TRANSPORTATION
F.A.I. 94/90 (DAN RYAN EXPRESSWAY)
SOUTHBOUND KNEE WALLS (ROOT ST TO PERSHING RD)

DETAILS A & B

SCALE: NTS
DATE: 04/25/08

DRAWN BY: TL
CHECKED BY: BLU

BOWMAN, BARRETT & ASSOCIATES INC.
CONSULTING ENGINEERS
Chicago, Illinois
312.228.0100
www.bbainc.com