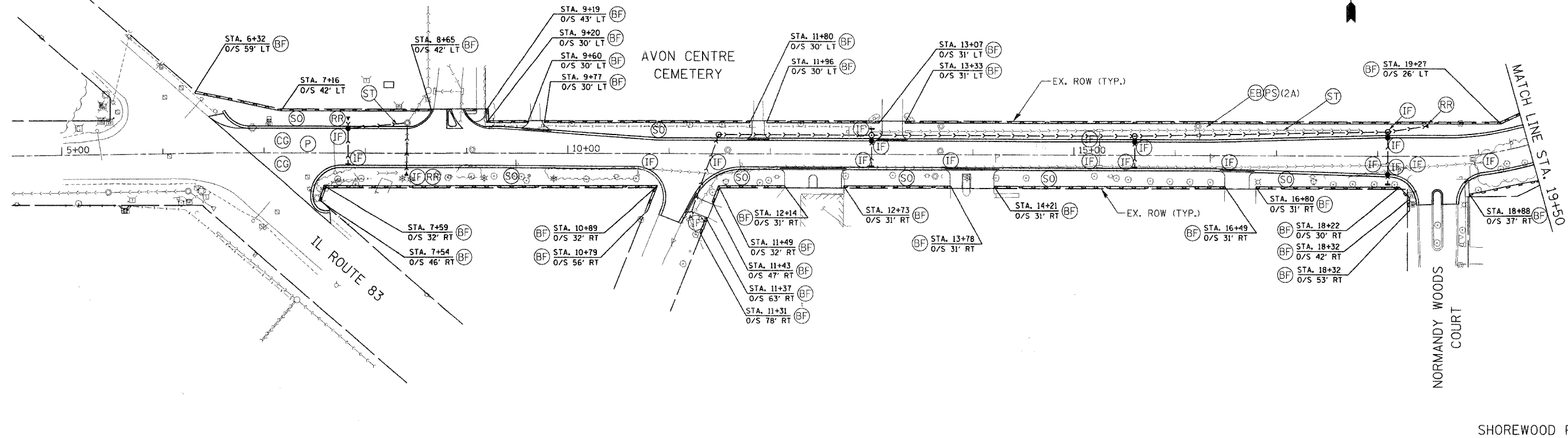
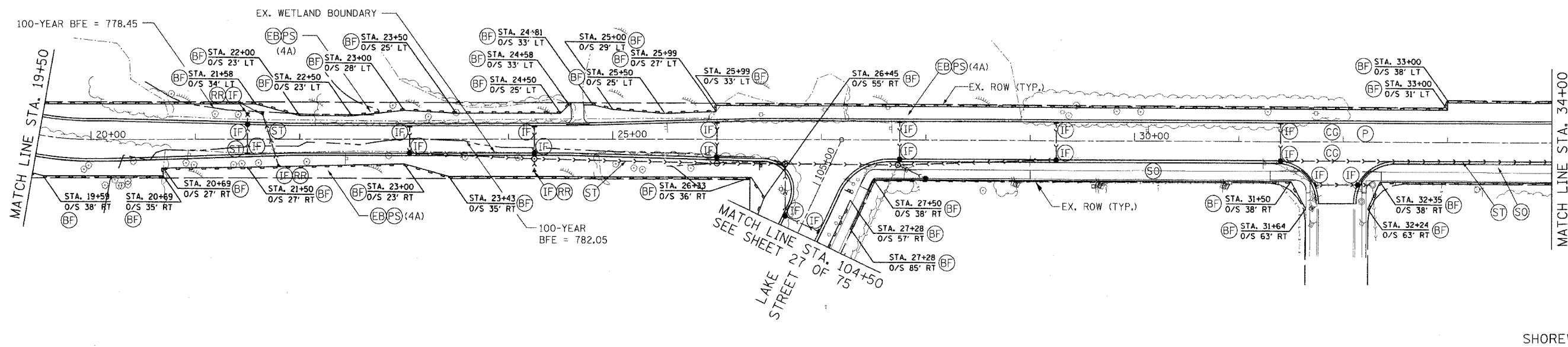


F.A. RTE.	SECTION	COUNTY	TOTAL SHEET SHEETS	NO.
	03-00052-00-PV	LAKE	78	25
STA. 6+87	TO STA. 34+00			
FED. ROAD DIST. NO.	ILLINOIS	FED. AID PROJECT		
CONTRACT NUMBER 63002				



PLAN	SURVEYED	DATE
	NOTE BOOK	
	ALIGNMENT CHECKED	
	RT. OF WAY CHECKED	
	PROB. FILE NAME	
	NO.	



PROFILE	SURVEYED	DATE
	NOTE BOOK	
	ALIGNMENT CHECKED	
	RT. OF WAY CHECKED	
	PROB. FILE NAME	
	NO.	

REVISIONS	
NAME	DATE

VILLAGE OF GRAYSLAKE
 SHOREWOOD ROAD
 IL ROUTE 83 TO ROLLINS ROAD
 EROSION CONTROL PLAN

SCALE: 1" = 50'
 DATE: 4/21/06

DESIGNED BY: MTK
 DRAWN BY: MTK/BB/GP
 CHECKED BY: