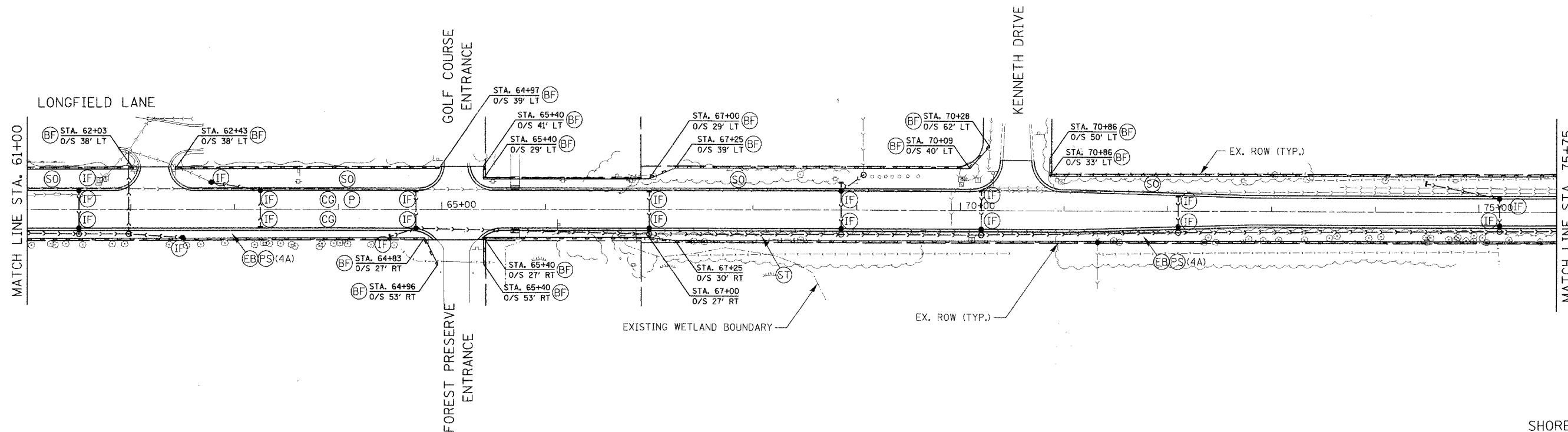


F.A. RTE.	SECTION	COUNTY	TOTAL SHEETS	SHEET NO.
	03-00052-00-PV	LAKE	78	27
STA. 61+00	TO STA. 82+32			
FED. ROAD DIST. NO.	ILLINOIS	FED. AID PROJECT		
CONTRACT NUMBER 63002				

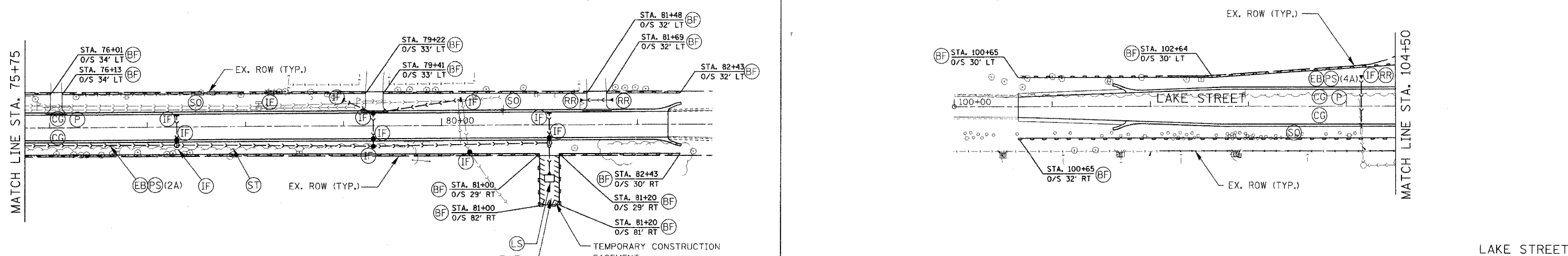


PLAN	SUBMITTED	DATE
	BY	
	DATE	
	BY	
	DATE	
	BY	
	DATE	
	BY	
	DATE	



SHOREWOOD ROAD

PROFILE	SUBMITTED	DATE
	BY	
	DATE	
	BY	
	DATE	
	BY	
	DATE	
	BY	
	DATE	



LAKE STREET

SHOREWOOD ROAD

REVISIONS	
NAME	DATE

VILLAGE OF GRAYSLAKE
 SHOREWOOD ROAD
 IL ROUTE 83 TO ROLLINS ROAD
 EROSION CONTROL PLAN

SCALE: 1" = 50'
 DATE: 4/21/06

DESIGNED BY: MTK
 DRAWN BY: MTK/BB/GP
 CHECKED BY: