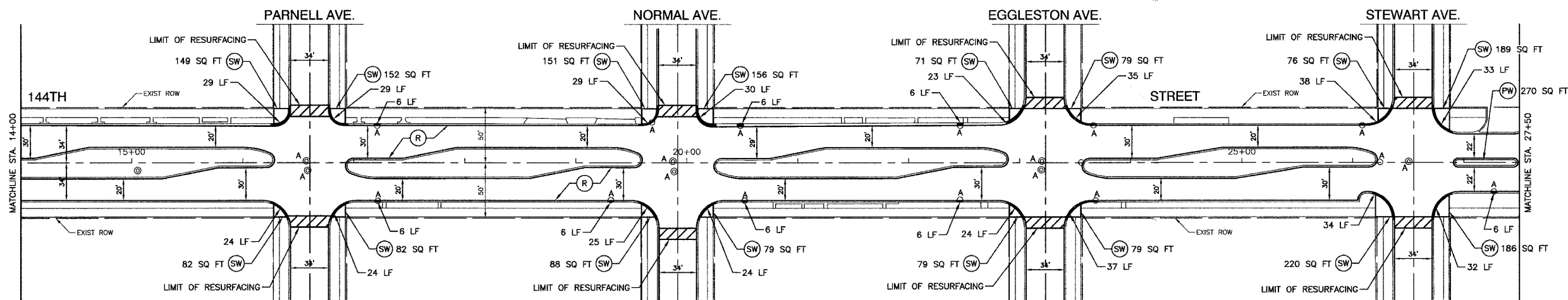
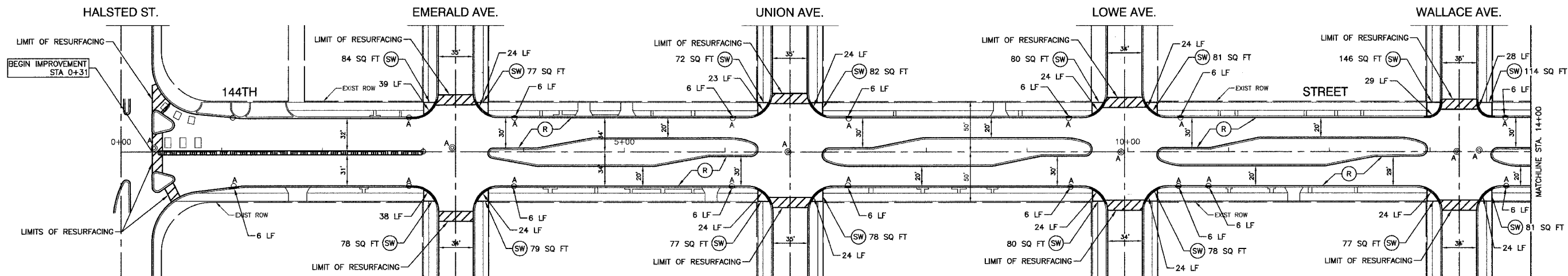




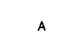
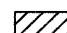
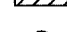


SECTION 4, TOWNSHIP 36, RANGE 14
SECTION 5, TOWNSHIP 36, RANGE 14

F. A. D. NO.	SECTION	COUNTY	TOTAL SHEETS	SHEET NO.
1601	08-00115-00-RS	COCK	19	04
STA. 0+31	TO STA. 27+50			
FED. ROAD DIST. NO. 1	LANDS	FED. RD. PROJECT		

CONTRACT #63046



LEGEND

-  CLASS D PATCH, 10"
-  COMBINATION CONCRETE CURB & GUTTER REMOVAL & REPLACEMENT
-  STRUCTURE TO BE ADJUSTED
-  HOT-MIX ASPHALT SURFACE REMOVAL - BUTT JOINT
-  HOT-MIX ASPHALT SURFACE REMOVAL, 2 1/2" POLYMERIZED LEVELING BINDER (MACHINE METHOD), IL-4.75, N50, 3/4" HOT-MIX ASPHALT SURFACE COURSE, MIX "D", N70, 1 1/2"
-  CONCRETE SIDEWALK REMOVAL & REPLACEMENT
-  HOT-MIX ASPHALT PARKWAY REMOVAL & REPLACEMENT

REVISIONS	
NAME	DATE

ILLINOIS DEPARTMENT OF TRANSPORTATION

**144TH STREET
STREET RESURFACING
PLAN SHEET**

VERT. NA
SCALE: HORIZ. 1"=50'
DATE 05/07/08

DRAWN BY LTL
CHECKED BY JMN/JK