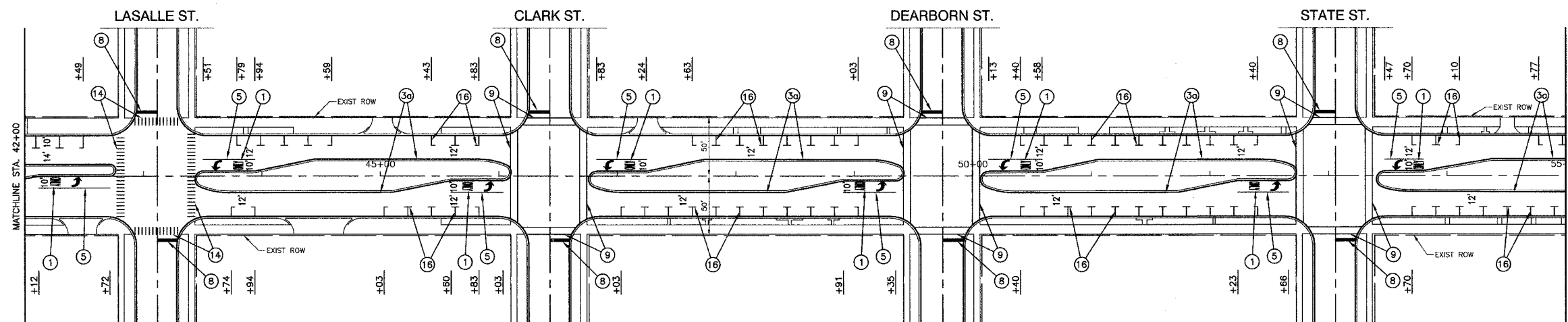
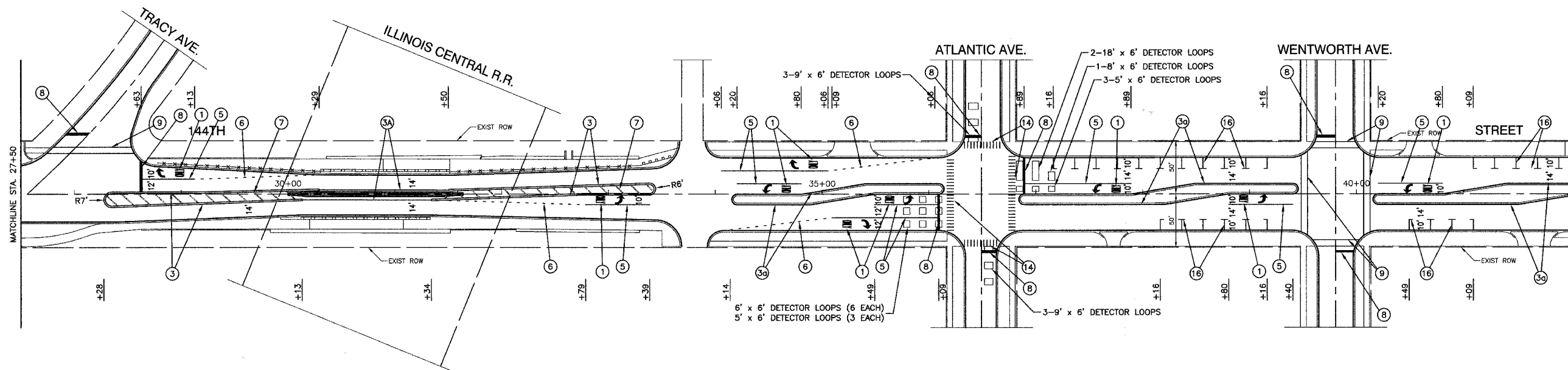


SECTION 4, TOWNSHIP 36, RANGE 14
SECTION 5, TOWNSHIP 36, RANGE 14

F. A. U. NO.	SECTION	COUNTY	TOTAL SHEETS	SHEET NO.
1601	08-00115-00-RS	COOK	19	08
STA. 27+50	TO STA. 55+00			
FED. ROAD DIST. NO. 1	LANDS	FED. AID PROJECT		

CONTRACT #63046



PAVEMENT MARKING LEGEND

- | | |
|--|--|
| ① WHITE LETTERS & SYMBOLS | ⑪ 12" WHITE LINE (45° ANGLE, 20' C/C) |
| ② DOUBLE 4" YELLOW CENTERLINE (11" C/C) | ⑫ 4" WHITE SKIP - DASH LINE (10' LINE - 30' SPACE) |
| ③ DOUBLE 4" YELLOW MEDIAN OUTLINE (11" C/C) | ⑬ 4" YELLOW SKIP - DASH LINE (10' LINE - 30' SPACE) |
| ④ 4" YELLOW MEDIAN OUTLINE | ⑭ 12" WHITE CROSSWALK, 6' LENGTH, 3' C-C |
| ⑤ 4" WHITE EDGE LINE | ⑮ 8" WHITE GORE LINE |
| ⑥ 6" WHITE LANE LINE | ⑯ 4" WHITE PARKING STALL LINE |
| ⑦ 6" WHITE SKIP-DASH LINE (2' LINE - 6' SPACE) | ▲ ONE-WAY AMBER MARKER
40' C/C UNLESS OTHERWISE INDICATED |
| ⑧ 12" YELLOW DIAGONAL LINE (15' C/C) | ▲ ONE-WAY CRYSTAL MARKER
80' C/C UNLESS OTHERWISE INDICATED |
| ⑨ 24" WHITE STOP BAR | ▲ TWO-WAY AMBER MARKER
40' C/C UNLESS OTHERWISE INDICATED |
| ⑩ 6" WHITE CROSSWALK (6' C/C) | ▼ TRAFFIC SIGN |
| ⑩ 6" WHITE CROSSWALK (10' C/C) | |

NOTE:
ALL LEGEND ITEMS ARE THERMOPLASTIC
PAVEMENT MARKING OF THE WIDTH AND TYPE SPECIFIED

REVISIONS	
NAME	DATE

ILLINOIS DEPARTMENT OF TRANSPORTATION

144TH STREET
STREET RESURFACING
PAVEMENT MARKINGS

SCALE: VERT. NA
HORIZ. 1"=50'
DATE 05/07/08

DRAWN BY LTL
CHECKED BY JMN/JK

ROBINSON ENGINEERING, LTD.
1700 SOUTH PEEK AVENUE, SOUTH HOLLAND, ILLINOIS 60473
(708) 331-8700 FAX (708) 331-8826
ILLINOIS DESIGN FIRM REGISTRATION NO. 154001108

08159-PLAN 01