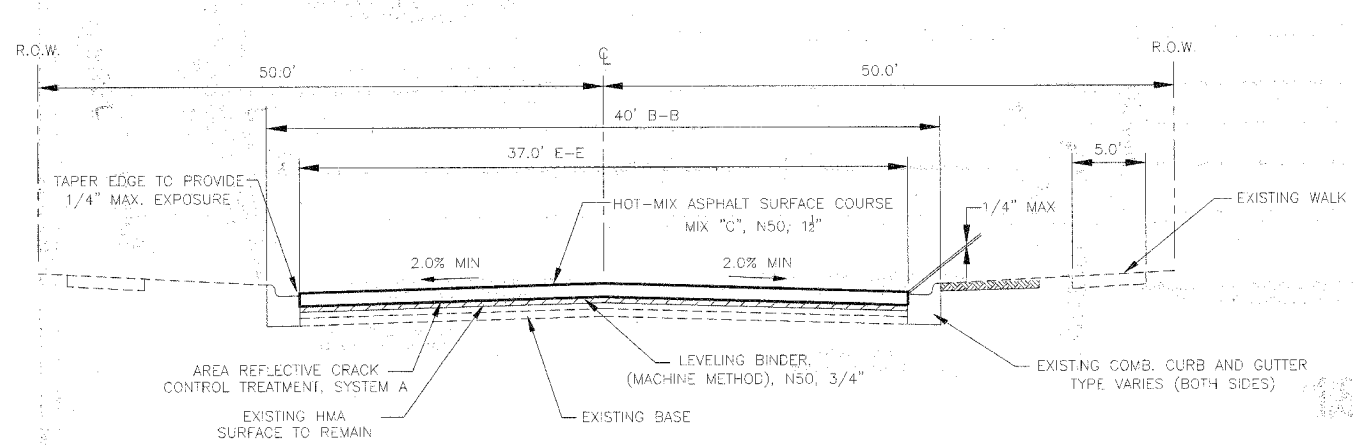
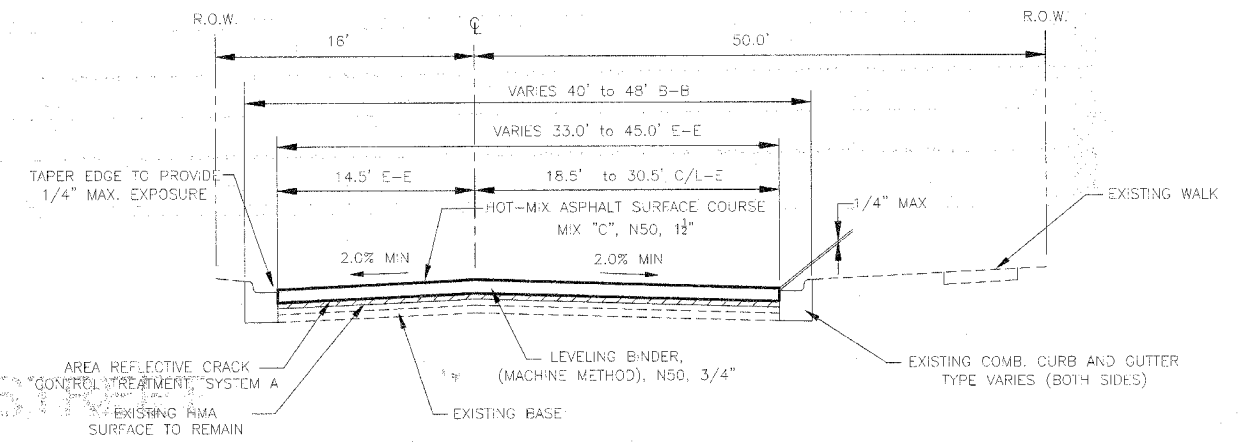


ILLINOIS PROJECT *
CONTRACT NO.: 63051



PROPOSED TYPICAL SECTION
STA. 00+51 to 32+00



PROPOSED TYPICAL SECTION
STA. 32+00 to STA. 45+82

HOT-MIX ASPHALT MIXTURE TABLE

ITEM	AC TYPE	VOIDS
LEVELING BINDER (MACHINE METHOD), N50 (IL-9.5mm)	PG 64-22/58-22*	4% @ 50 GYR
HOT-MIX ASPHALT SURFACE COURSE MIX "C", N50 (IL-9.5mm)	PG 64-22	4% @ 50 GYR
HOT-MIX ASPHALT DRIVEWAY REMOVAL AND REPLACEMENT HOT-MIX ASPHALT SURFACE COURSE, MIX "C", N50	PG 64-22	4% @ 50 GYR

THE UNIT WEIGHT USED TO CALCULATE ALL HMA SURFACE MIXTURE QUANTITIES IS 112 LBS/SQ YD/IN.

WHEN RAP EXCEEDS 20%, THE NEW ASPHALT BINDER IN THE MIX SHALL BE PG 58-22.



VILLAGE OF HOMEWOOD
ENGINEERING DIVISION

DESIGNED BY: **D.J.A.**
DRAWN BY: **D.J.A.**
CHECKED BY: **M.M.**

REVISIONS			
NO.	DATE	BY	DESCRIPTION
1	4-16-08	DJA	IDOT REVISIONS
2			

VILLAGE OF HOMEWOOD
187th STREET L.A.P.P. PROJECT
187th STREET (FAU ROUTE 1624)
PROPOSED TYPICAL SECTIONS
DATE: 01-15-08 SCALE: NOT TO SCALE

SHEET
4
OF 12