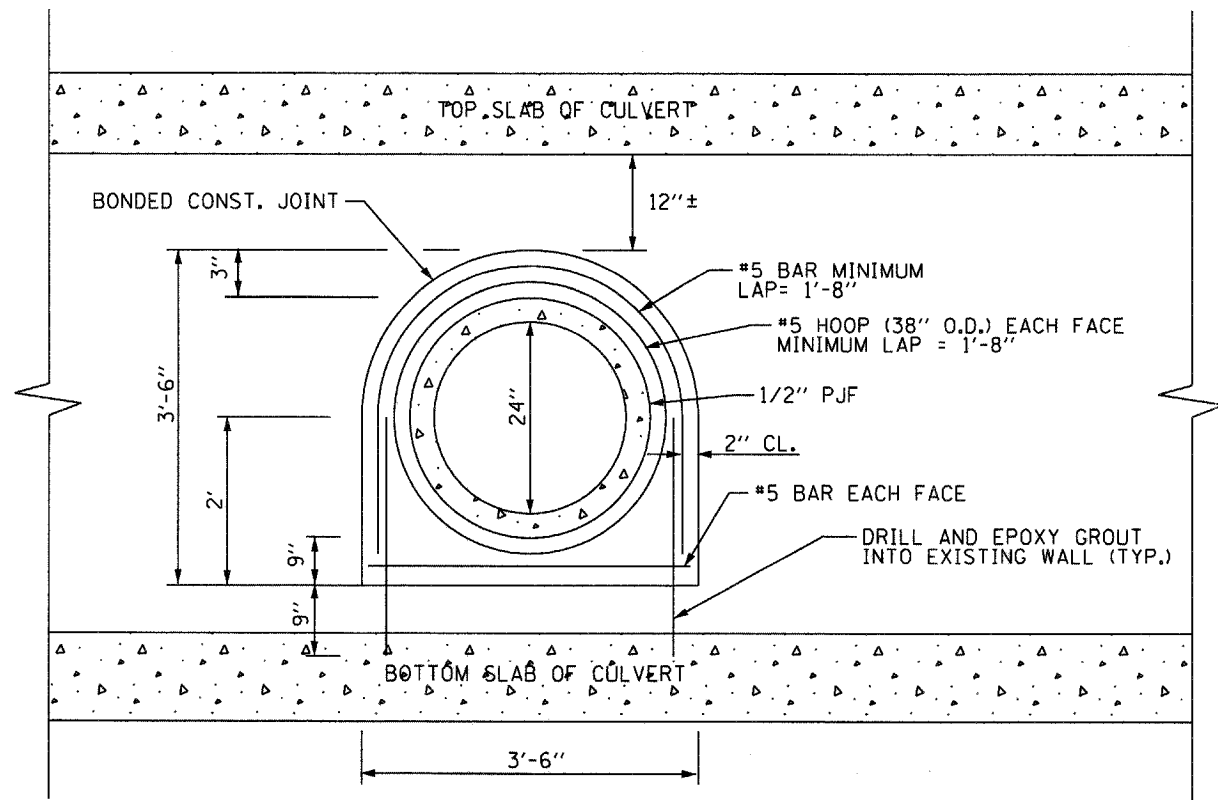
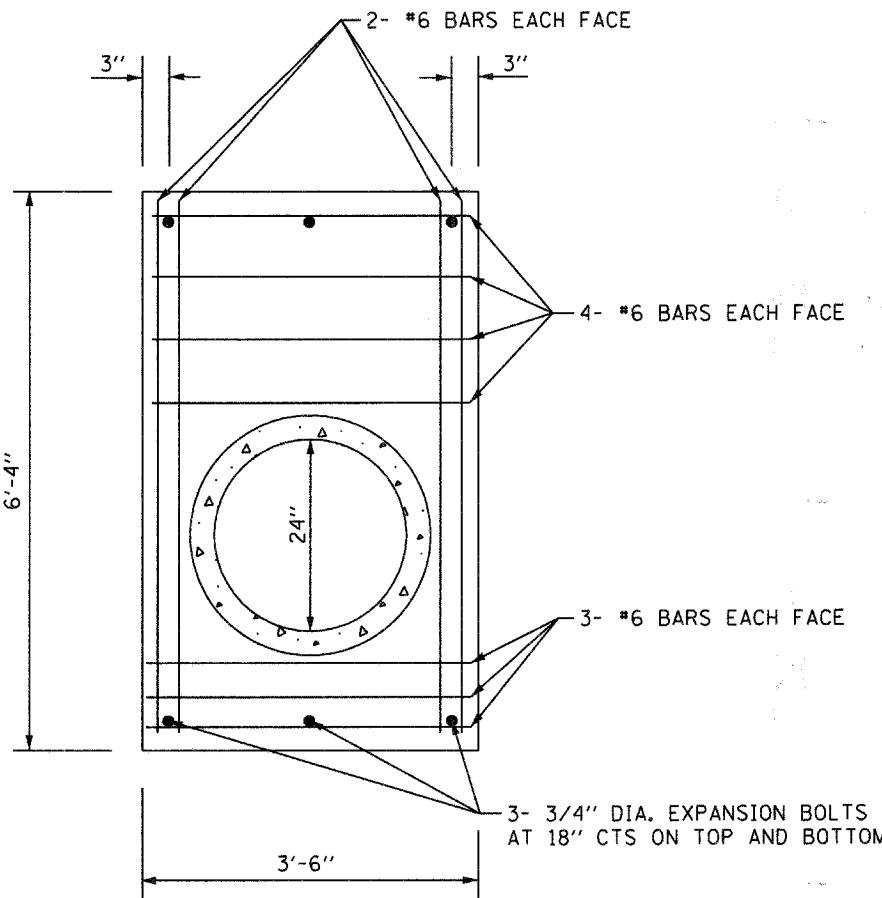
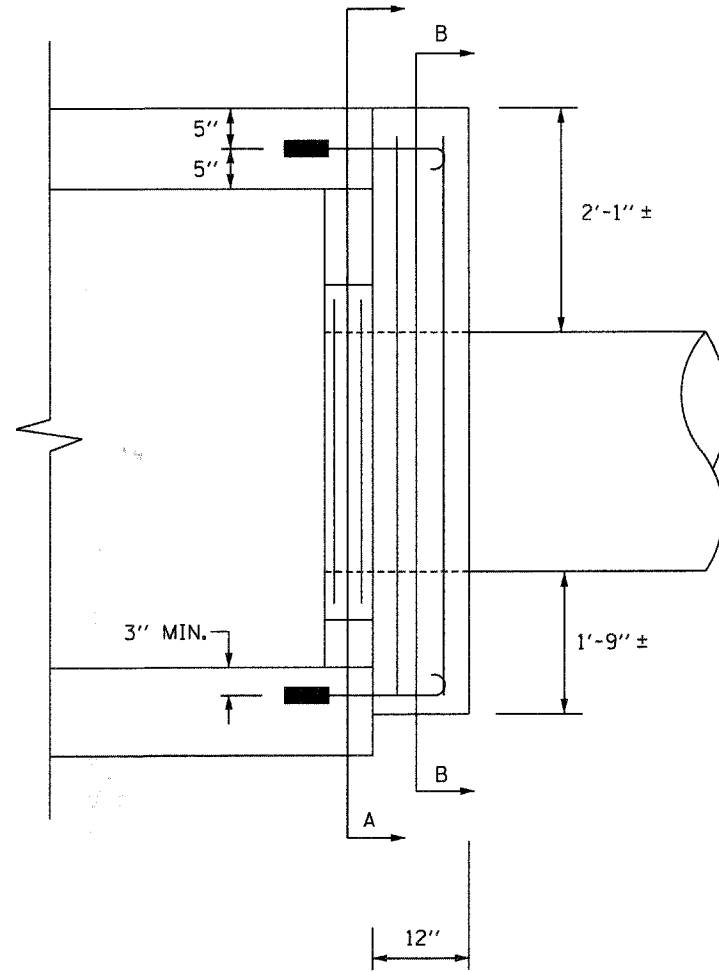


6/16/2008 Right of Way/Utility Arsenal Development Authority/South Arsenal Road.EastCAD\$1181 Culvert Detail.sht



SECTION A-A
EXISTING BOX CULVERT



SECTION B-B
CONCRETE COLLAR

NOTE:
EXPANSION BOLTS SHALL BE 3/4" DIA. HOOK BOLTS. HOOK BOLTS SHALL EXTEND A MINIMUM OF 9" INTO NEW CONCRETE

NOT TO SCALE

DESIGNED - JRS	REVISED -
DRAWN - DJN	REVISED -
CHECKED - MAR	REVISED -
DATE - 6/16/2008	REVISED -

F.A. RTE.	SECTION	COUNTY	TOTAL SHEETS	SHEET NO.
	08-00039-00-FP	WILL	89	51
CONTRACT NO. 63066				
FED. ROAD DIST. NO. ILLINOIS FED. AID PROJECT				