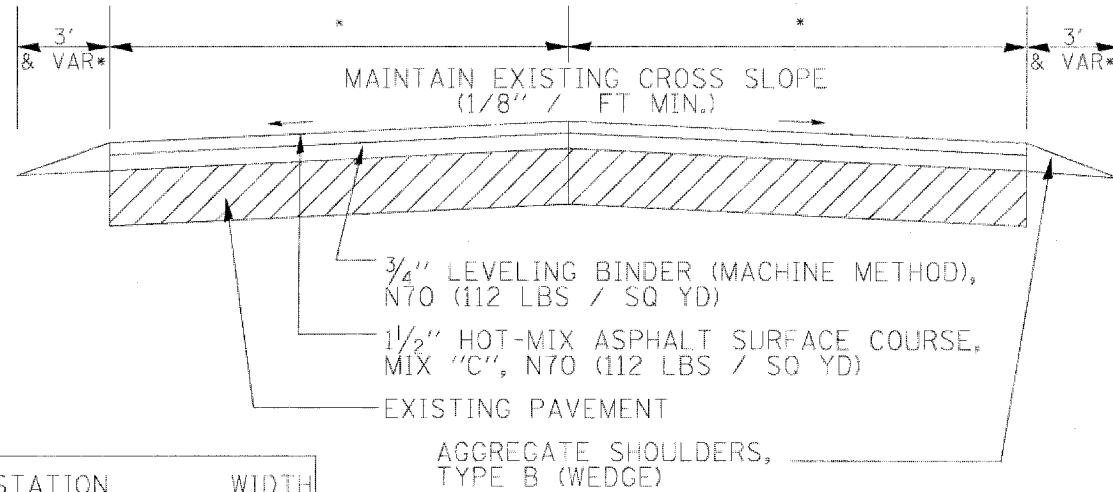


TYPICAL SECTIONS

US 52/L 64

STA 658+73 TO STA 714+44
 STA 725+13 TO STA 965+70
 STA 1000+22 TO STA 1016+07

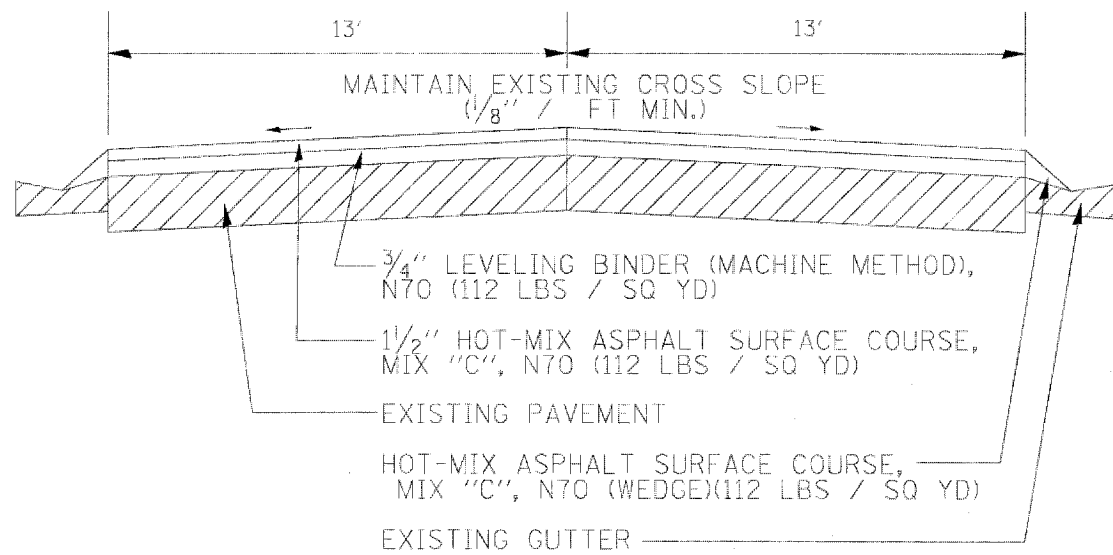


* STATION	WIDTH
658+73 TO 714+44	13'
725+13 TO 808+59	13'
808+59 TO 857+16	12'
857+16 TO 965+70	13'
1000+22 TO 1016+07	13'

* MATCH EXISTING SHOULDER

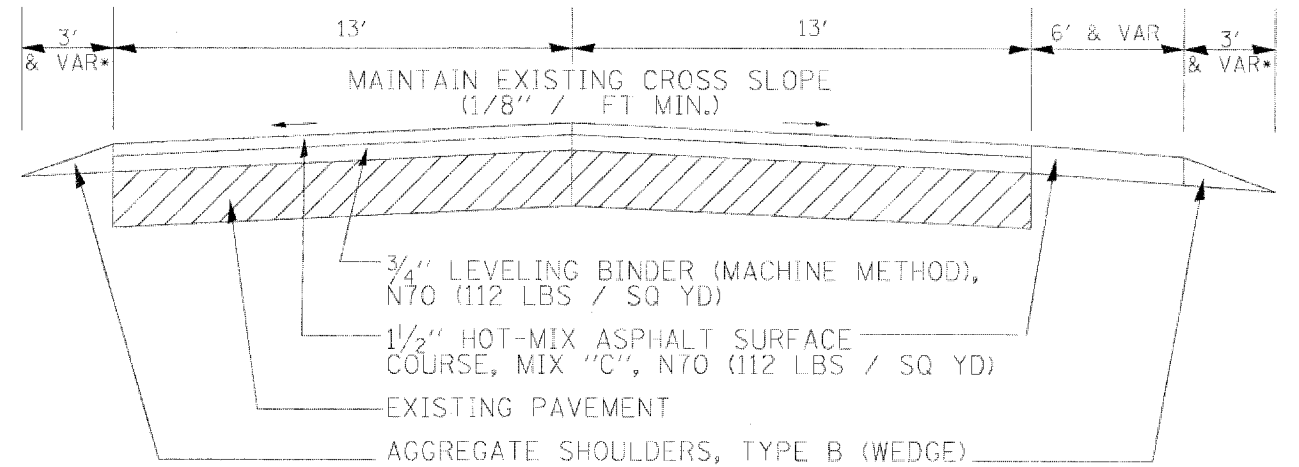
US 52/L 64

STA 714+44 TO STA 725+13



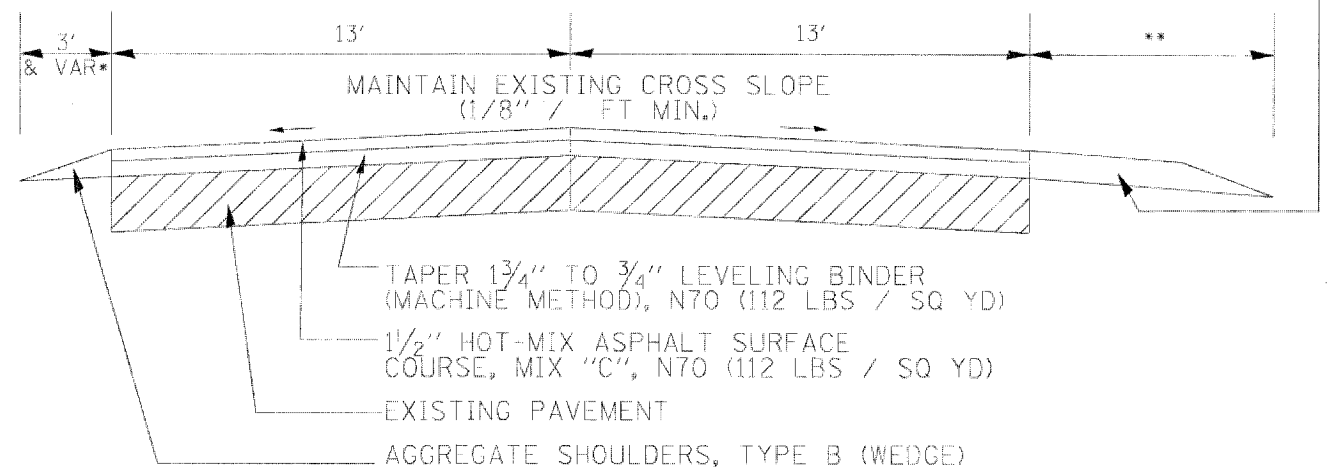
US 52/L 64

STA 965+70 TO STA 970+31



100' TAPERS US 52/L 64

STA 970+31 TO STA 971+31
 STA 999+22 TO STA 1000+22



** STATION 970+31 TO 971+31
 6' & VAR - TAPER 3 1/4" TO
 2 1/4" HOT-MIX ASPHALT
 SURFACE COURSE, MIX
 "C", N70 (112 LBS/SQ YD)

3' AGGREGATE SHOULDERS,
 TYPE B (WEDGE)

** STATION 999+22 TO 1000+22
 3' AGGREGATE SHOULDERS,
 &VAR TYPE B (WEDGE)