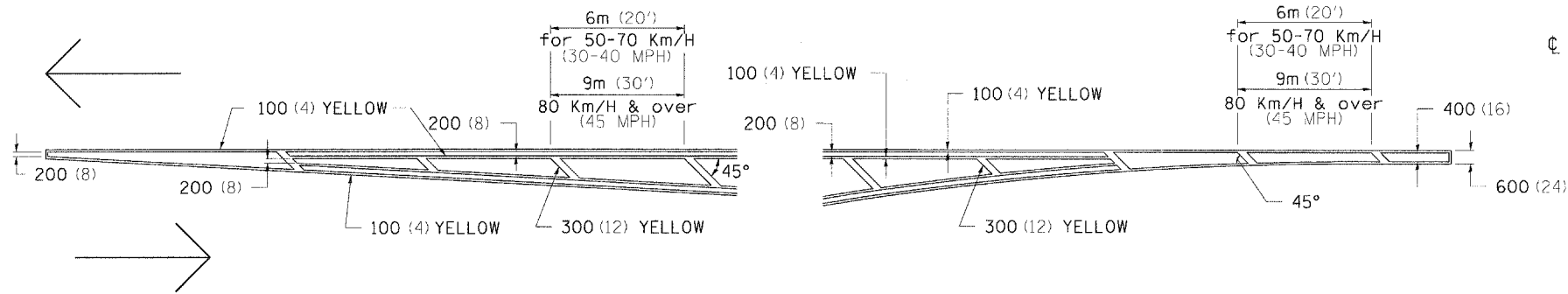
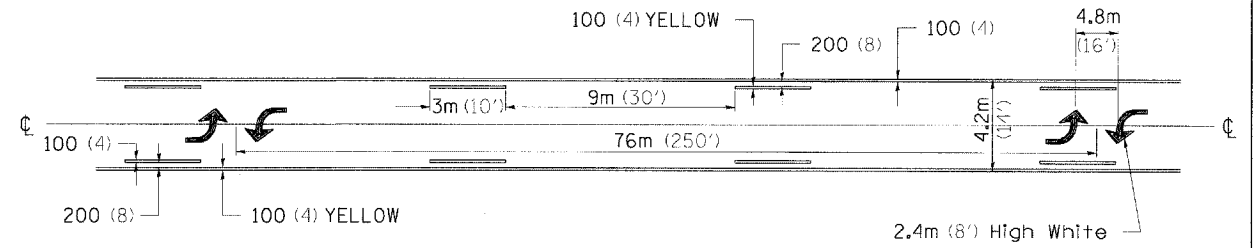


# TYPICAL PAVEMENT MARKINGS

## TYPICAL PAVEMENT MARKING FOR FLUSH MEDIAN AT LEFT TURN LANE

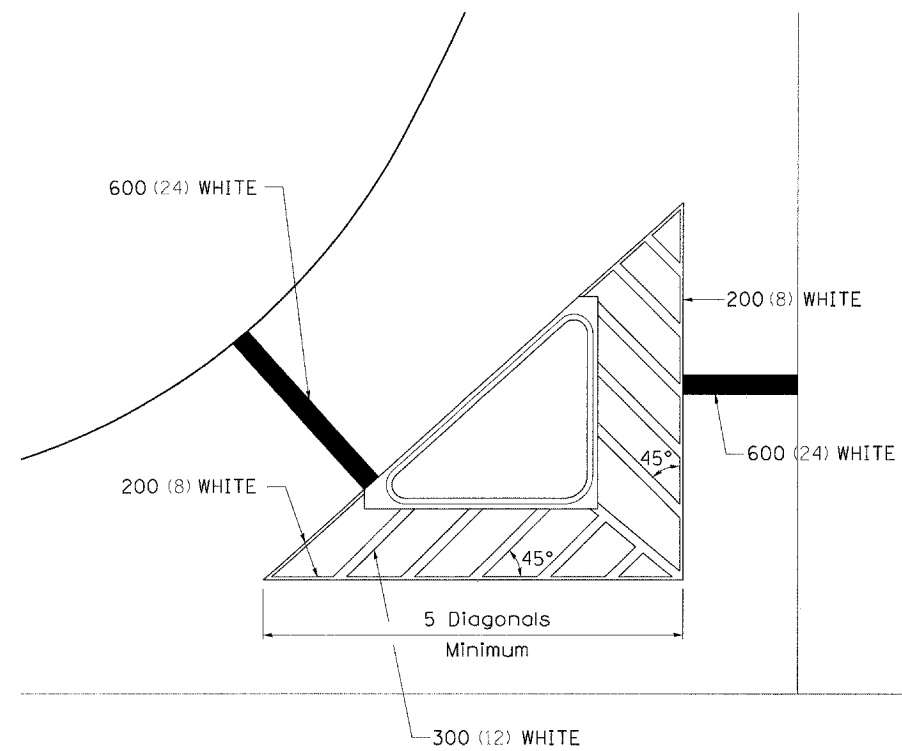


## MEDIAN PAVEMENT MARKING

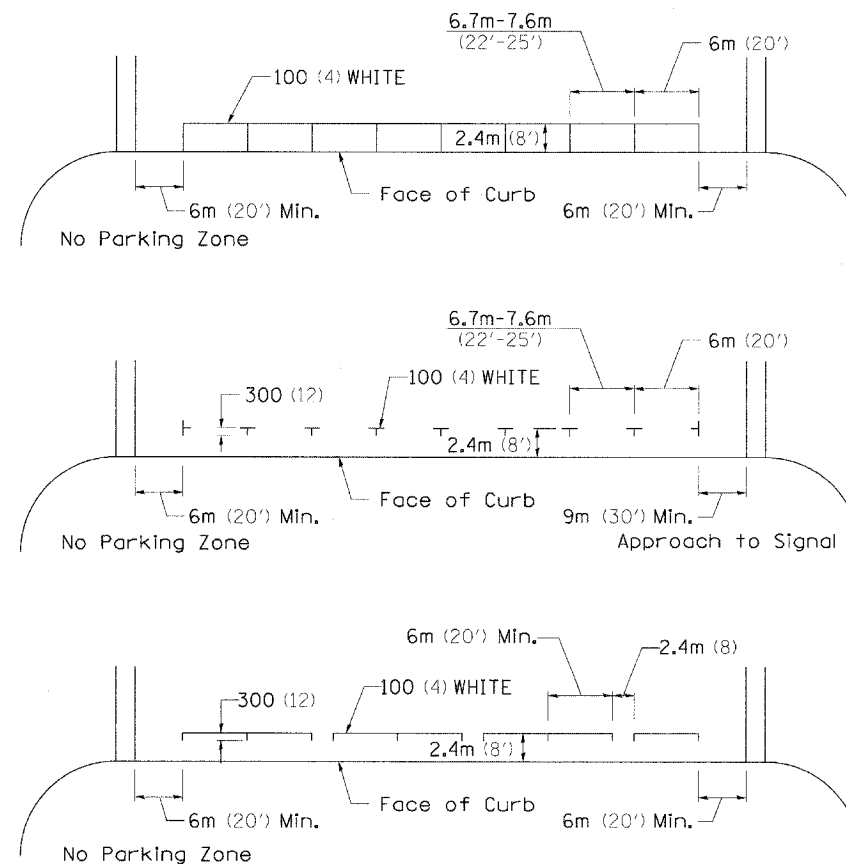


•• ALL DIMENSIONS ARE IN MILLIMETERS (INCHES) UNLESS OTHERWISE NOTED.

## TYPICAL ISLAND OFFSET SHOULDER WIDTH

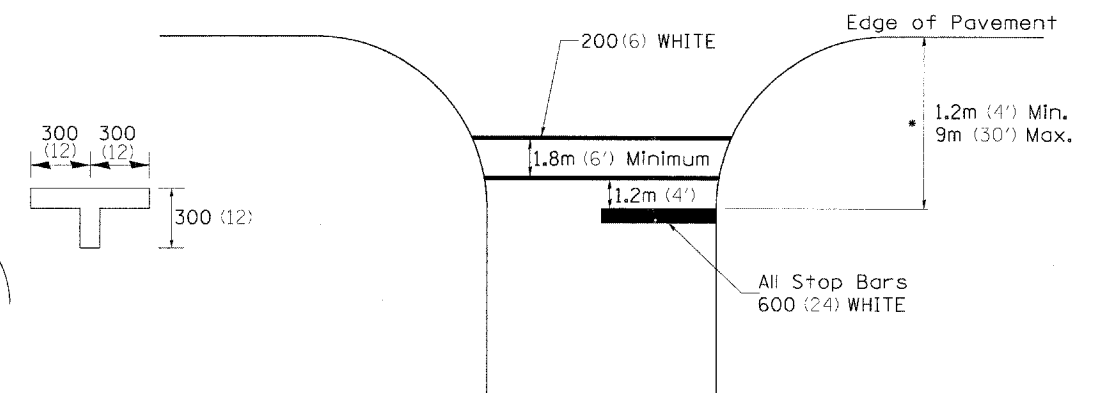


## TYPICAL PARKING SPACING



## STANDARD CROSSWALK MARKING

See Schedules for Locations



• Distance to the nearest edge of the intersecting roadway in the absence of a marked crosswalk.

|                                      |                      |            |                   |   |                                       |   |         |         |              |           |  |
|--------------------------------------|----------------------|------------|-------------------|---|---------------------------------------|---|---------|---------|--------------|-----------|--|
| FILE NAME =                          | USER NAME = duncanfa | DESIGNED - | REVISED - 1-J1-08 | <b>STATE OF ILLINOIS<br/>DEPARTMENT OF TRANSPORTATION</b> | <b>REGION 2 / DISTRICT 2 STANDARD</b> | F.A.P. RTE. =                                 | SECTION | COUNTY  | TOTAL SHEETS | SHEET NO. |  |
| es:\proj\etc\p\206128\106106std.dgn  |                      | DRAWN -    | REVISED -         |   |                                       | 17  | ARS-4   | CARBOLL | 35           | 34        |  |
| PLOT SCALE = 20.0000' / IN.          |                      | CHECKED -  | REVISED -         |   |                                       | CONTRACT NO. 64E12                            |         |         |              |           |  |
| PLOT DATE = Fri May 16 10:23:52 2008 |                      | DATE -     | REVISED -         |   |                                       | FED. ROAD DIST. NO. ILLINOIS FED. AID PROJECT |         |         |              |           |  |