

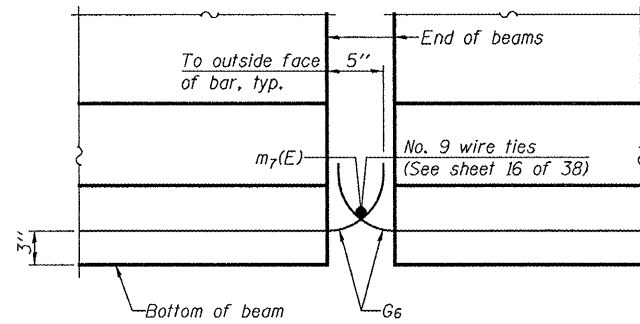
STATE OF ILLINOIS
DEPARTMENT OF TRANSPORTATION

ROUTE NO.	SECTION	COUNTY	SHEETS	SHEET NO.	SHEET NO. 22
FAP 769	110B-2	MACOUPIN	98	62	38 SHEETS
FED. ROAD DIST. NO. 7	ILLINOIS	FED. AID PROJECT			

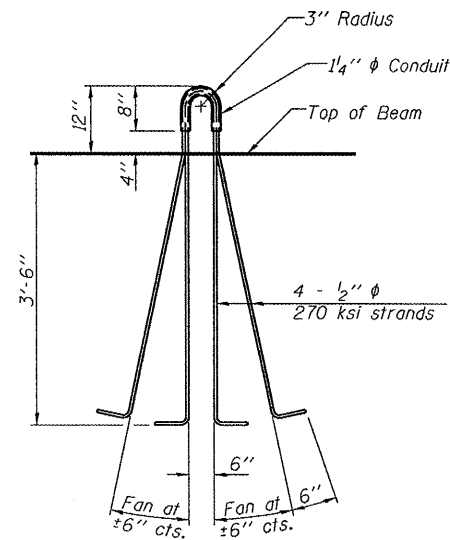
Contract #72813

NOTES

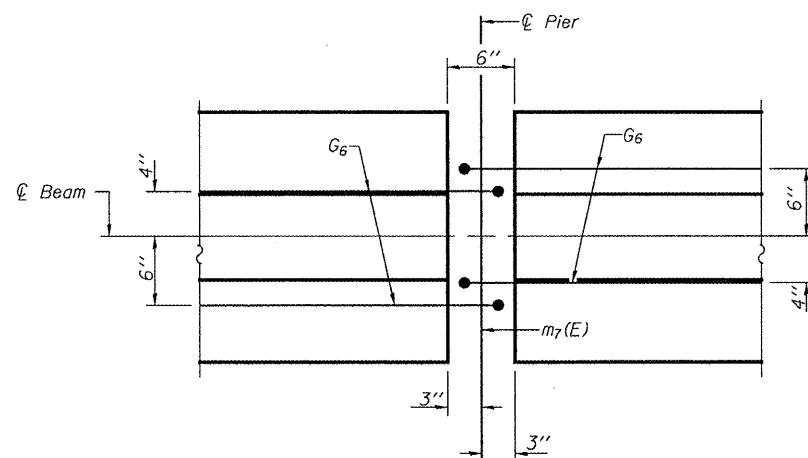
- Inserts for $\frac{3}{4}$ " ϕ threaded dowel rods, when specified, are to be two strut, coil type for interior beams and single coil, flared loop type for exterior beams.
- Prestressing steel shall be uncoated high strength, low relaxation 7-wire strand, Grade 270.
- The nominal diameter shall be $\frac{1}{2}$ " and the nominal cross-sectional area shall be 0.153 sq. in.
- Non-prestressing steel shall conform to ASTM A 706, Grade 60. See Special Provisions.
- A minimum $2\frac{1}{2}$ " ϕ lifting pin shall be used to engage the lifting loops during handling.
- Cut G_6 bars when necessary to maintain $1\frac{1}{2}$ " clearance.
- The top and bottom plates shall be AASHTO M270 Grade 50.
- The bottom plates and studs shall be galvanized according to AASHTO M111
- Threaded rods shall be ASTM F 1554 Grade 55.



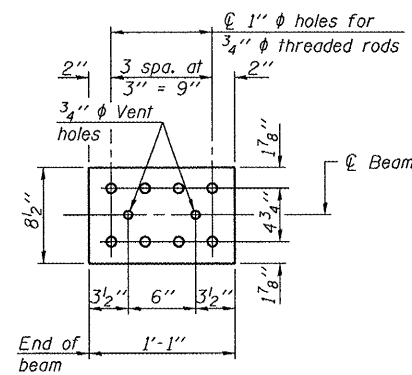
ELEVATION OF BEAM AT PIER



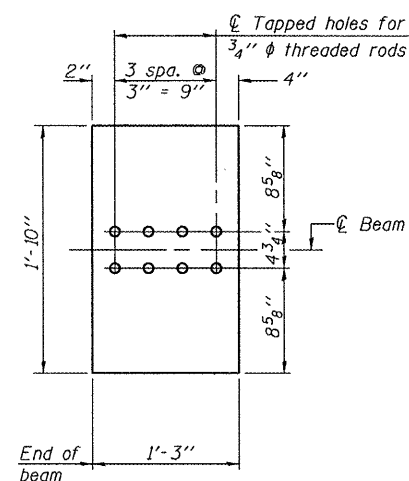
LIFTING LOOP DETAIL



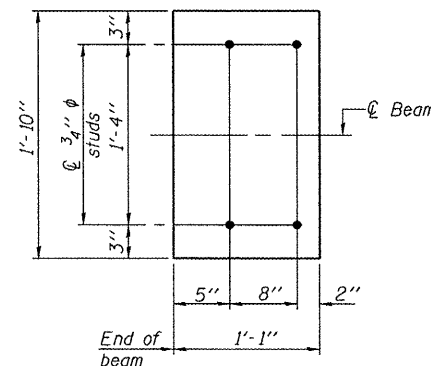
PLAN OF BEAM AT PIER



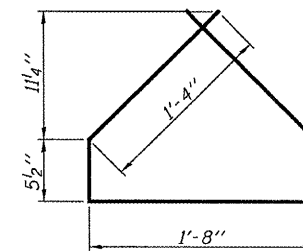
TOP PLATE



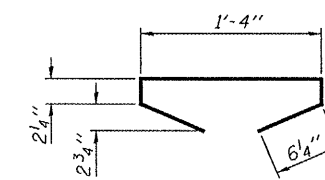
BOTTOM PLATE
(Showing threaded rods)



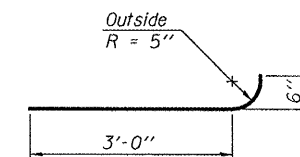
BOTTOM PLATE
(Showing studs)



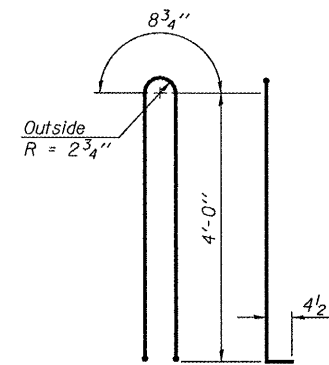
BAR G4



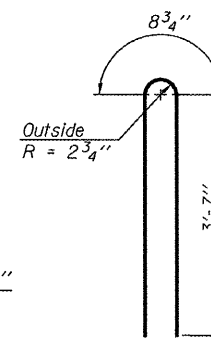
BAR G5



BAR G6



BAR G1



BAR G2

BILL OF MATERIAL

Item	Unit	Total
Furnishing and Erecting Precast Prestressed Concrete I-Beams, 48"	Ft.	507

48" PPC I-BEAM DETAILS (SPAN 2)
F.A.P. ROUTE 769 - SEC. 110B-2
MACOUPIN COUNTY
STATION 104+41.00
STRUCTURE NO. 059-0509

DESIGNED	Tom Kurtenbach
CHECKED	Joy Edwards
DRAWN	BECKY M. LEACH
CHECKED	TK/JE

June 17, 2008
EXAMINED *Thomas J. Romagallo*
PASSED *Ronald E. Anderson*

See bearing details for pintle hole locations when required. See sheet 18 of 38.

PI-4-48D 9-3-07