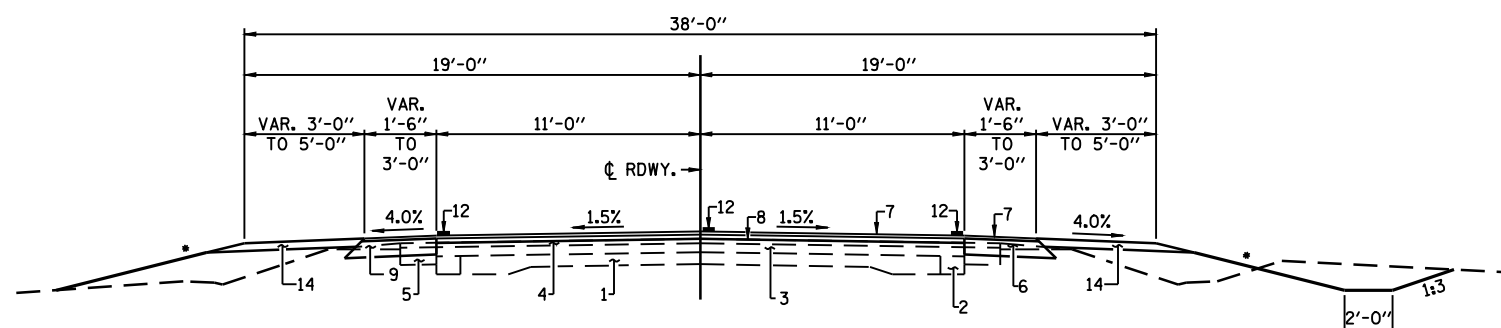
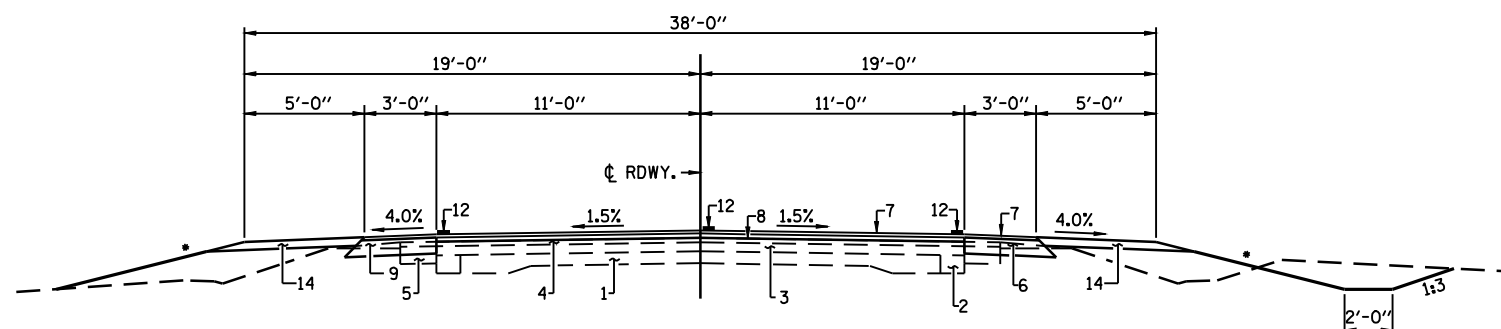


**EXISTING TYPICAL SECTION**  
(STA. 636+55 TO STA. 642+85)



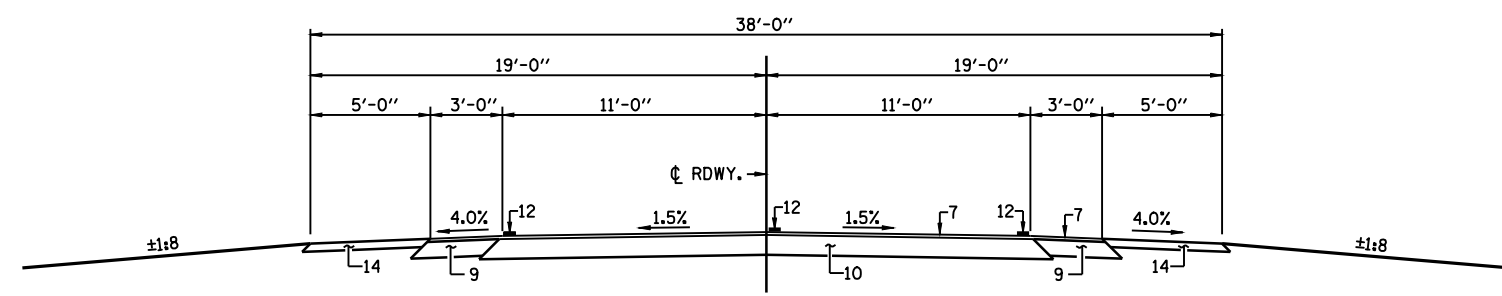
**PROPOSED TYPICAL SECTION**  
(STA. 636+55 TO STA. 637+25 & STA. 642+15 TO STA. 642+85)

\* VARIES 1:4 TO 1:6



**PROPOSED TYPICAL SECTION**  
(STA. 637+25 TO STA. 639+50 & STA. 639+90 TO STA. 642+15)

\* VARIES 1:4 TO 1:6



**PROPOSED TYPICAL SECTION**  
(STA. 639+50 TO STA. 639+90)

**PAVEMENT LEGEND**

1. EXISTING P.C.C. PAVEMENT 9"-6"-9"
2. EXISTING HOT MIX ASPHALT WIDENING
3. EXISTING HOT MIX ASPHALT OVERLAY 6"
4. EXISTING HOT MIX ASPHALT OVERLAY VARIABLE
5. EXISTING HOT MIX ASPHALT SHOULDER 6"
6. EXISTING AGGREGATE SHOULDER WEDGE, TYPE B
7. PROPOSED HOT MIX ASPHALT SURFACE COURSE, 1 1/2" MIX. C N50
8. PROPOSED LEVELING BINDER (MACHINE METHOD) 3/4" (MIN)
9. PROPOSED HOT MIX ASPHALT SHOULDER, 8"
10. PROPOSED HOT MIX ASPHALT BASE COURSE, 10"
11. PROPOSED CULVERT GRANULAR BACKFILL
12. PROPOSED PAINT PAVEMENT MARKING LINE 5"
13. PROPOSED ROCKFILL - FOUNDATION
14. PROPOSED AGGREGATE SHOULDERS, TYPE B, 4"

FILE NAME = d672b44-sht-typical.dgn	USER NAME =	DESIGNED - RKA	REVISED -	 <b>Allen Henderson &amp; Associates, Inc.</b> Civil and Structural Engineers Springfield, IL. 62708 Phone: (217)544-8033 IL. Design Firm No. 184-001907	<b>DETAILS &amp; TYPICAL ROADWAY SECTIONS</b>			F.A.S. RTE.	SECTION	COUNTY	TOTAL SHEETS	SHEET NO.
PLOT SCALE =	CHECKED - CPK	REVISED -	REVISED -		SCALE: NONE	SHEET NO. 4 OF 19 SHEETS	STA. 636+55 TO STA. 642+85	1613	23B	SANGAMON	19	4
PLOT DATE = May-09-2008 02:18:49PM	DATE - 3/25/08	REVISED -	REVISED -					CONTRACT NO. 72B44				
								FED. ROAD DIST. NO. ILLINOIS FED. AID PROJECT				