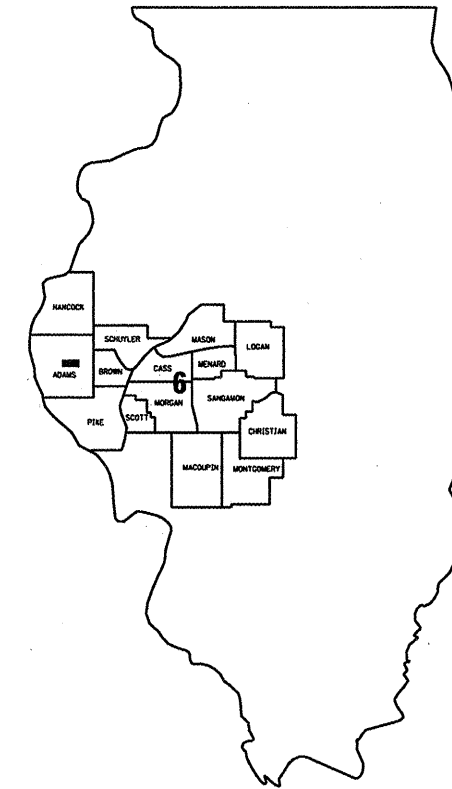


FOR INDEX OF SHEETS AND HIGHWAY  
STANDARDS, SEE SHEET 2.

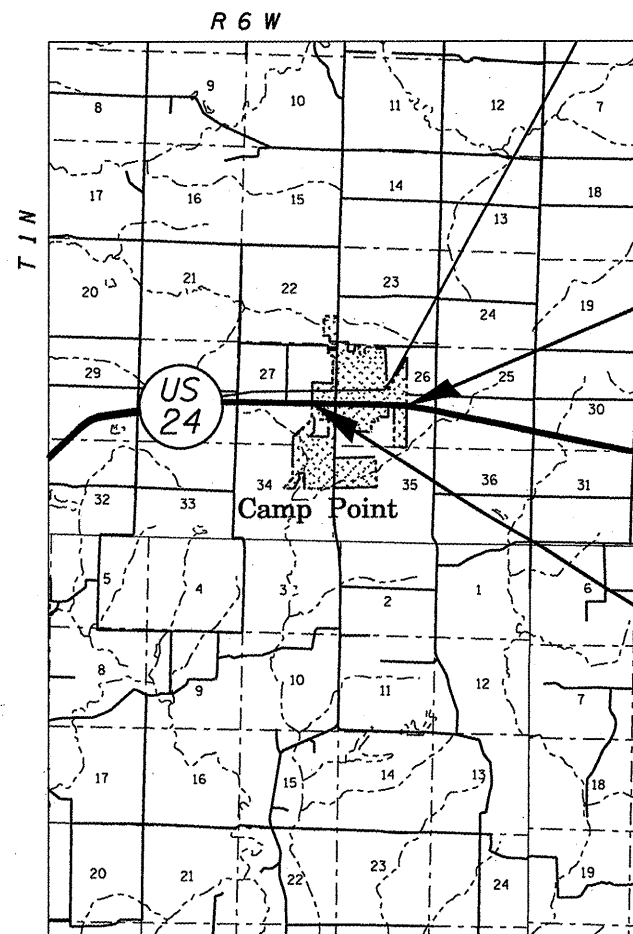
STATE OF ILLINOIS  
DEPARTMENT OF TRANSPORTATION  
DIVISION OF HIGHWAYS

CONTRACT: 72C13  
SHEET 1 OF 7

**PLANS FOR PROPOSED  
CONTRACT MAINTENANCE  
FAP ROUTE 317 (US 24)  
SECTION 4 RS-8  
ADAMS COUNTY  
C96-087-08 / D96-087-08**



LOCATION OF SECTION INDICATED THUS: ■



BEGIN PROJECT  
STA. 1335+75

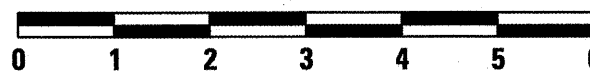
STA. EQUATION  
1346+15.00bk=  
1375+38.80ah

END PROJECT  
STA. 1425+00

J. U. L. I. E.  
JOINT UTILITY LOCATION INFORMATION FOR EXCAVATION  
1-800-892-0123

PLANS & CONTRACT TECHNICIAN: TIMOTHY SHARP  
PHONE: (217) 782-7743

NET LTH OF SEC 6,001.20 FT=1.137 MILE



SCALE: 1" = 2 MILES

STATE OF ILLINOIS  
DEPARTMENT OF TRANSPORTATION  
DIVISION OF HIGHWAYS

SUBMITTED May 21 20 08

Roger Z. Dunbar  
DEPUTY DIRECTOR OF HIGHWAYS, REGION FOUR ENGINEER

June 27 20 08  
Eric E. Horn  
Interim ENGINEER OF DESIGN AND ENVIRONMENT

June 27 20 08  
Christine M. Reed  
DIRECTOR, DIVISION OF HIGHWAYS

**CONTRACT NO. 72C13**

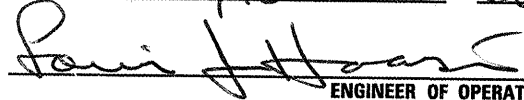


PRINTED BY AUTHORITY OF THE STATE OF ILLINOIS

INDEX

- 1 COVER
- 2 INDEX/STANDARDS/SIGNATURES
- 3-4 QUANTITIES
- 5 TYPICAL SECTIONS
- 6 SCHEDULES
- 7 BUTT JOINT DETAIL

STANDARDS

- 442001-04
- 701001-01
- 701006-02
- 701011-01
- 701301-02
- 701311-02
- 701501-04
- 701901
- 780001-01
- 781001-02

<b>STATE OF ILLINOIS DEPARTMENT OF TRANSPORTATION DIVISION OF HIGHWAYS DISTRICT 6</b>	
EXAMINED <u>May 16</u> 20 <u>08</u>	 ENGINEER OF OPERATIONS
EXAMINED <u>May 13</u> 20 <u>08</u>	 ENGINEER OF PROGRAM IMPLEMENTATION
EXAMINED <u>MAY 13</u> 20 <u>2008</u>	 ENGINEER OF PROGRAM DEVELOPMENT

NOTE: MILLINGS FROM THIS PROJECT ARE TO BE DELIVERED TO  
THE I.D.O.T. YARD - 800 KOCH'S LANE - QUINCY, IL.  
CONTACT PERSON - BRENT GRONWOLD - (217)653-1862

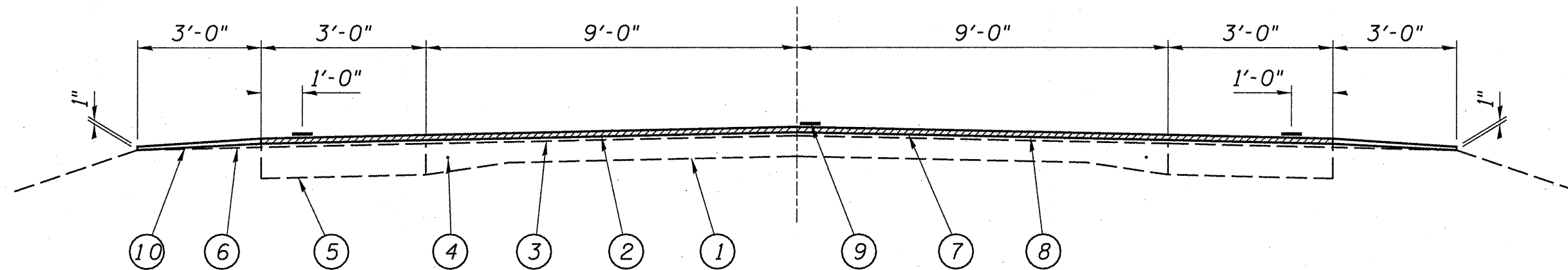
INDEX/STANDARDS/SIGNATURES  
FAP 3147 (US 24)  
SECTION 4 RS-8  
ADAMS COUNTY

S U M M A R Y O F Q U A N T I T I E S

CODE NO.	ITEM	UNIT	100% STATE
			I000
			TOTAL QTY
40600200	BITUMINOUS MATERIALS (PRIME COAT)	TON	6.4
40600300	AGGREGATE (PRIME COAT)	TON	33.4
40600895	CONSTRUCTING TEST STRIP	EACH	1
40600990	TEMPORARY RAMP	SQ YD	28
40603335	HOT-MIX ASPHALT SURFACE COURSE, MIX "D", N50	TON	1,401
44000155	HOT-MIX ASPHALT SURFACE REMOVAL, 1 1/2"	SQ YD	16,670
44200144	PAVEMENT PATCHING, TYPE II, 12 INCH	SQ YD	120
44200148	PAVEMENT PATCHING, TYPE III, 12 INCH	SQ YD	240
44200150	PAVEMENT PATCHING, TYPE IV, 12 INCH	SQ YD	240
48101200	AGGREGATE SHOULDERS, TYPE B	TON	219
67100100	MOBILIZATION	L SUM	1

QUANTITIES  
FAP 317 (US 24)  
SECTION 4 RS-8  
ADAMS COUNTY





LEGEND

- 1 - EXIST. P.C.C. PAVEMENT 9-6-9
- 2 - EXIST. H.M.A. SURFACE 1½"
- 3 - EXIST. LEVELING BINDER 1"
- 4 - EXIST. ¾" SMOOTH EDGEBAR
- 5 - EXIST. H.M.A. BASE COURSE WIDENING 9"
- 6 - EXIST. AGGREGATE SHOULDERS, TYPE B
- 7 - PROP. H.M.A. SURFACE COURSE, MIX D, N50 1½"
- 8 - PROP. H.M.A. SURFACE REMOVAL 1½"
- 9 - PROP. PAINT PAVEMENT MARKING - LINE 5"
- 10 - PROP. AGGREGATE SHOULDERS, TYPE B

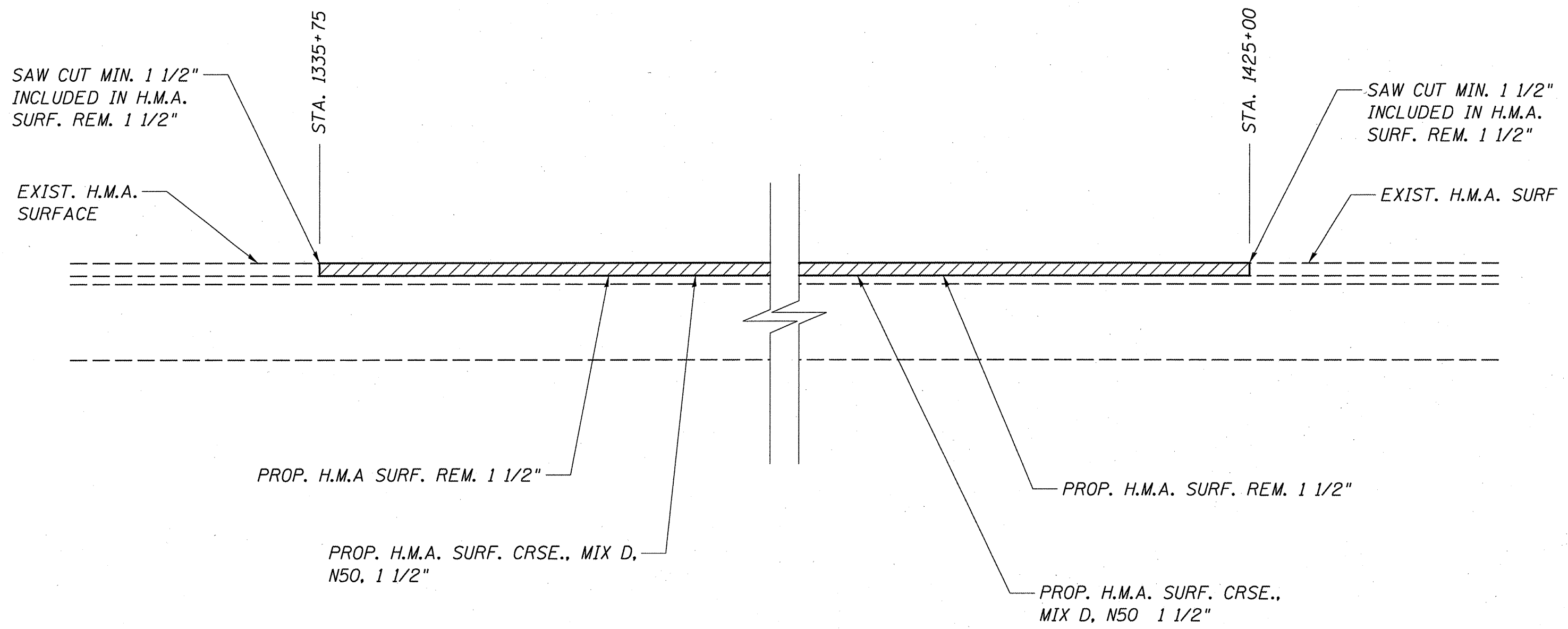
TYPICAL SECTION  
FAP 317 (US 24)  
SECTION 4 RS-8  
ADAMS COUNTY

PAVEMENT MARKING SCHEDULE			
STATION	TYPE	PAINT PAV'T MRKG	
		LINE 5"	
		YELLOW	WHITE
LT & RT 1335+75 TO 1345+15 STA. EQ. 1346+15bk=1375+38.8ah	EDGE LINE		2,080 FT
LT & RT 1375+38.8 TO 1425+00	EDGE LINE		9,923 FT
LT & RT 1335+75 TO 1345+15 STA. EQ. 1346+15bk=1375+38.8ah	SKIP DASH	260 FT	
LT & RT 1375+38.8 TO 1425+00	SKIP DASH	1,240 FT	
DEDUCT FOR SIDEROAD			(750)
<b>TOTALS</b>		1,500 FT	11,253 FT

MIXTURE REQUIREMENTS	
THE FOLLOWING MIXTURE REQUIREMENTS ARE APPLICABLE FOR THIS PROJECT	
MIXTURE USE(S):	H.M.A. S.C., MIX D, N50
AC/PG	PG 64-22
DESIGN AIR VOIDS:	4.0% @ N DESIGN = 50
MIXTURE COMP:	IL 9.5 OR 12.5
FRICITION AGG:	MIX "D"

SCHEDULES  
FAP 317 (US 24)  
SECTION 4 RS-8  
ADAMS COUNTY

Rev.



BUTT JOINT  
FAP 317 (US 24)  
SECTION 4 RS-8  
ADAMS COUNTY