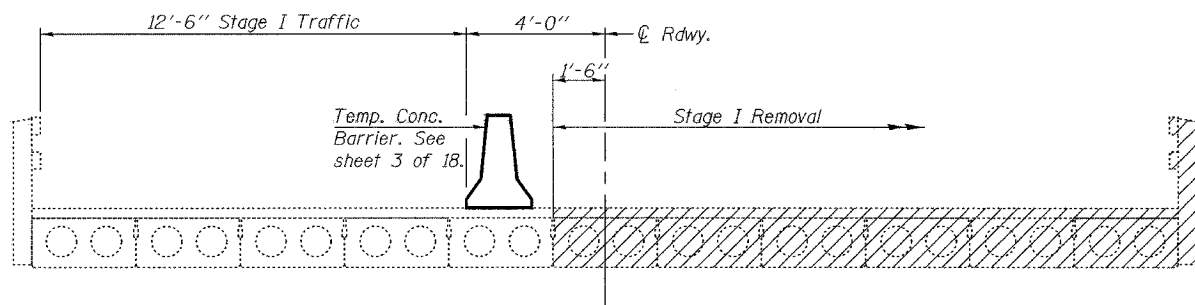


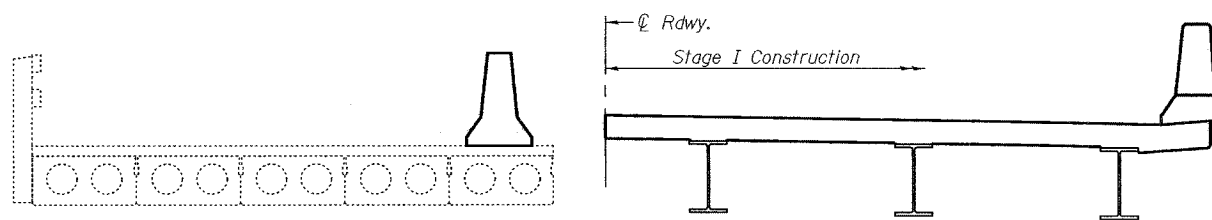
STATE OF ILLINOIS
DEPARTMENT OF TRANSPORTATION

ROUTE NO.	SECTION	COUNTY	SHEETS	SHEET NO.
F.A.S. 1832	5BR-2	WASHINGTON	97	28
FED. ROAD DIST. NO. 7	ILLINOIS	FED. AID PROJECT		

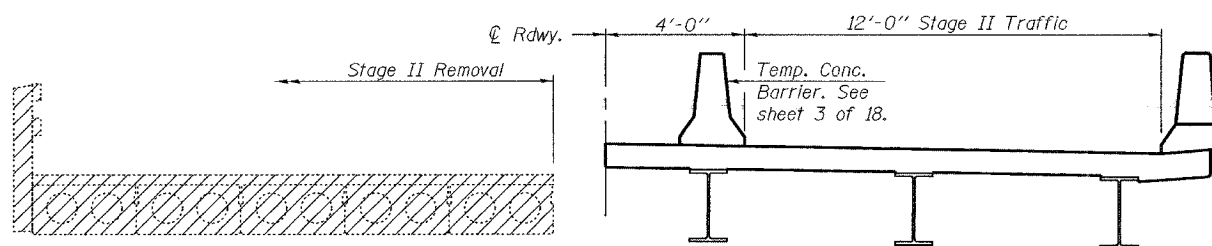
SHEET NO. 2
18 SHEETS
Contract #76949



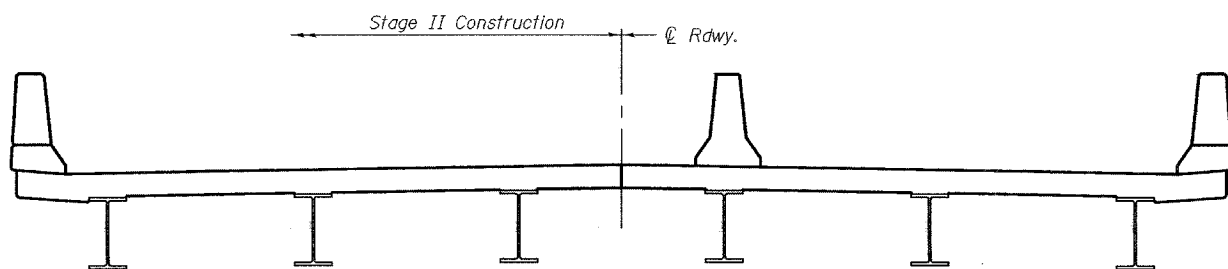
STAGE I REMOVAL



STAGE I CONSTRUCTION

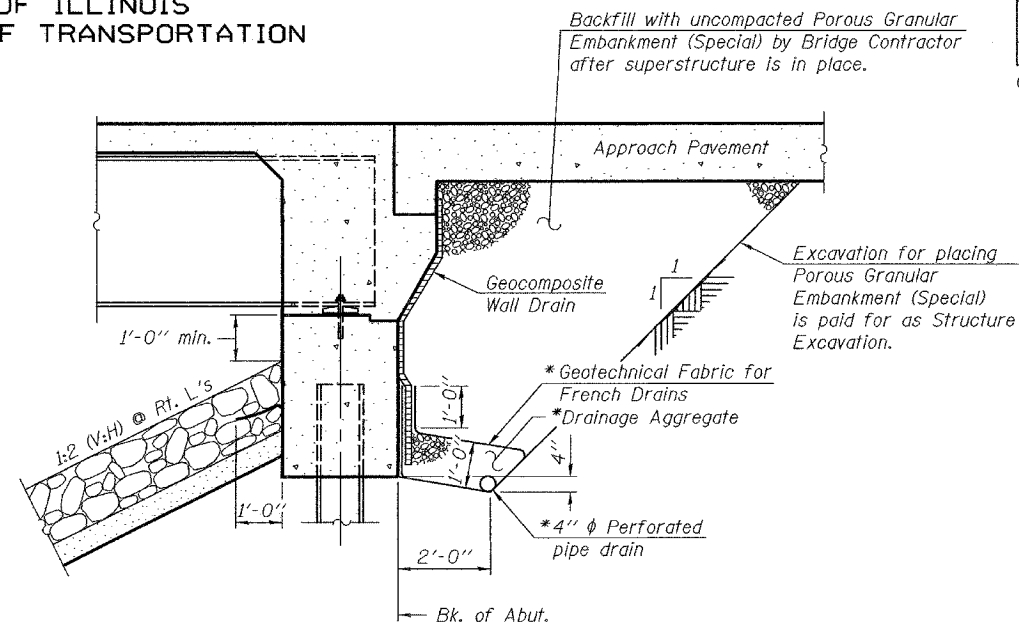


STAGE II REMOVAL



STAGE II CONSTRUCTION

Notes: All staging sections are looking East.
For quantity of Temporary Concrete Barrier, see Roadway Plans.
Hatched areas indicate removal of existing structure.



SECTION THRU INTEGRAL ABUTMENT

(Horiz. dim. @ Rt. L's)

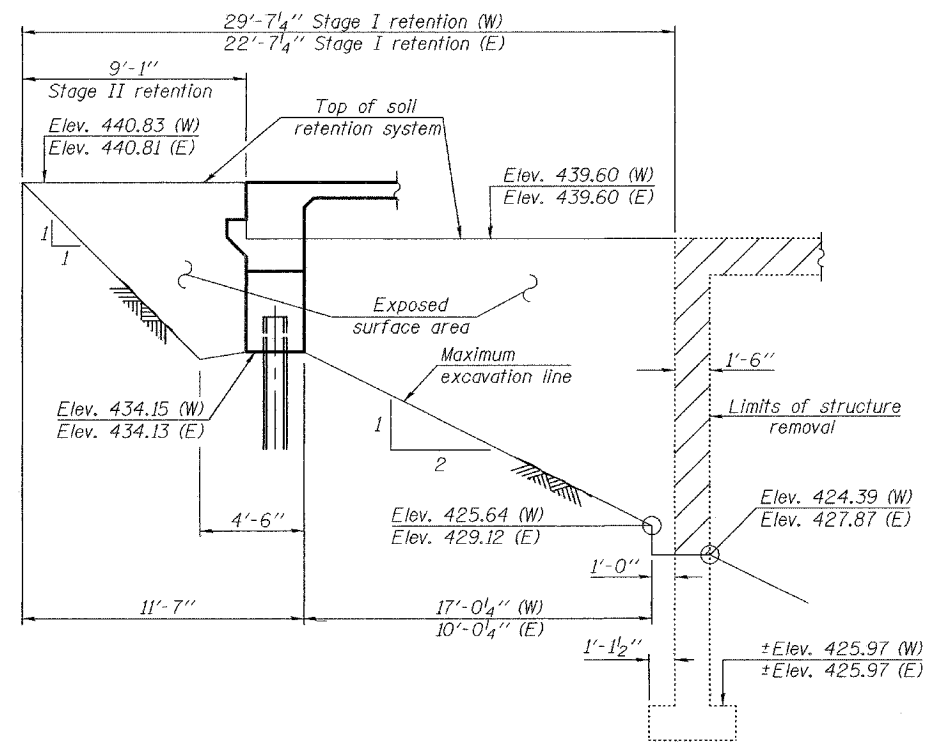
* Included in the cost of Pipe Underdrains for Structures.

Note:

All drainage system components shall extend to 2'-0" from the end of each wingwall except an outlet pipe shall extend until intersecting with the side slopes. The pipes shall drain into concrete headwalls. (See Article 601.05 of the Standard Specifications and Highway Standard 601101).

Note:

A cantilevered sheet piling design does not appear feasible and additional members or other retention systems may be necessary. The Contractor shall submit a temporary soil retention system design including plan details and calculations for review and acceptance by the Engineer.



TEMPORARY SOIL RETENTION
FOR STAGE CONSTRUCTION

STAGE CONSTRUCTION DETAILS
F.A.S. RTE. 1832 - SEC. 5BR-2
WASHINGTON COUNTY
STATION 1453+11.50
STRUCTURE NO. 095-0077

DESIGNED	Phillip R. Litchfield
CHECKED	Nicholas R. Barnett
DRAWN	Gregory D. Farmer
CHECKED	PRL/NRB

EXAMINED	Thomas J. Domagala	January 28, 2008
PASSED	Ralph E. Anderson	