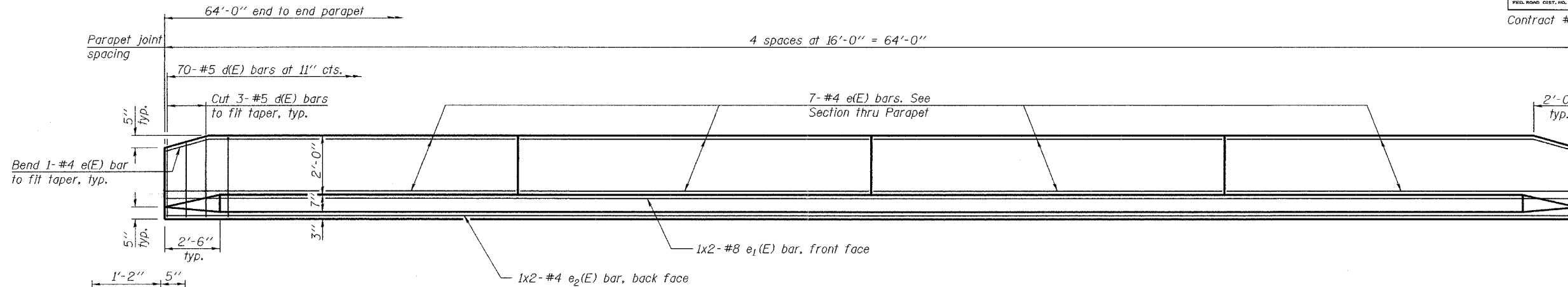


STATE OF ILLINOIS
DEPARTMENT OF TRANSPORTATION

ROUTE NO.	SECTION	COUNTY	TOTAL SHEETS	SHEET NO.
F.A.S. 1832	5BR-2	WASHINGTON	97	35
FED. ROAD DIST. NO. 7	ILLINOIS	FED. AID PROJECT-		

SHEET NO. 9
18 SHEETS

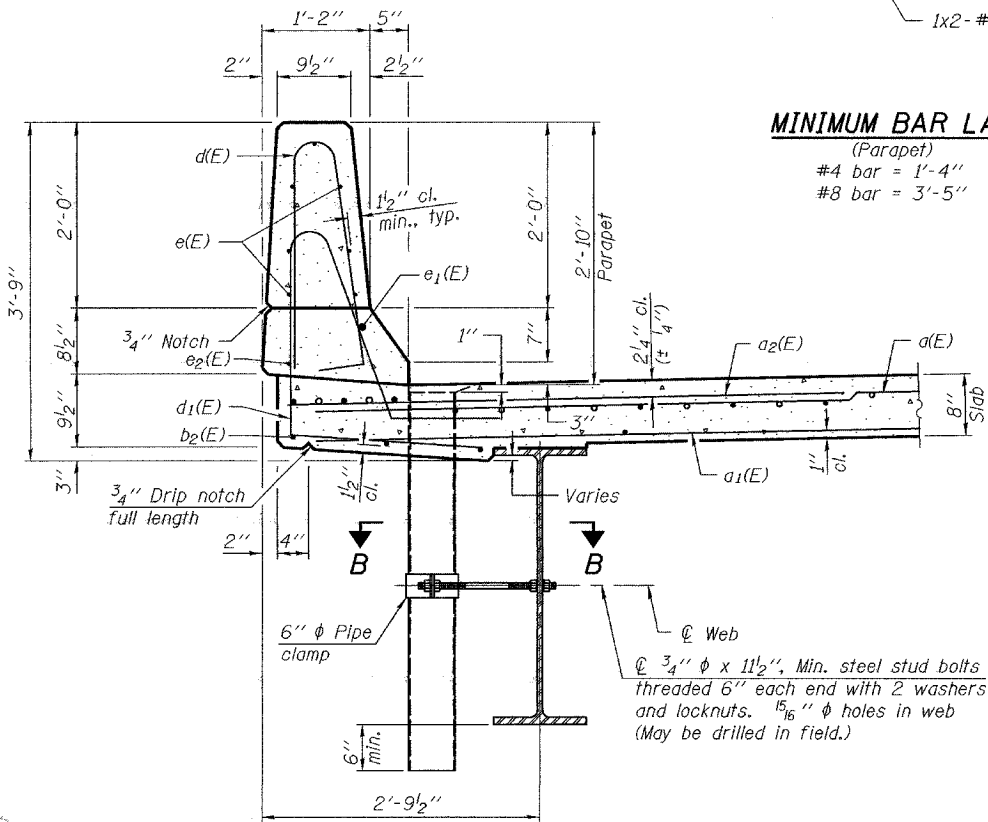
Contract #76949



INSIDE ELEVATION OF PARAPET

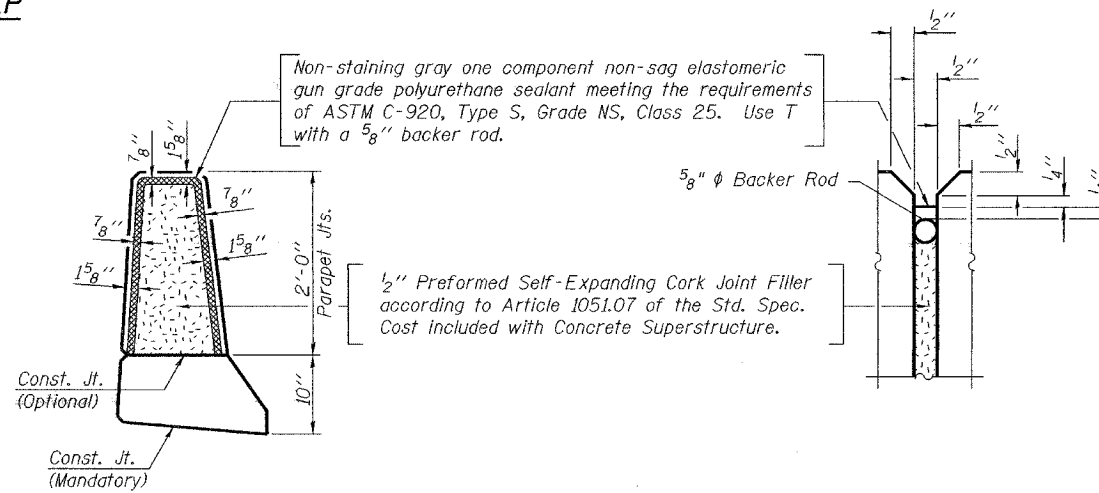
MINIMUM BAR LAP

(Parapet)
#4 bar = 1'-4"
#8 bar = 3'-5"



SECTION THRU PARAPET

Non-staining gray one component non-sag elastomeric gun grade polyurethane sealant meeting the requirements of ASTM C-920, Type S, Grade NS, Class 25. Use T with a 5/8" backer rod.



PARAPET JOINT DETAILS

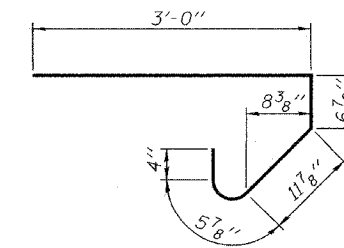
Notes:

The exterior surfaces of the floor drains shall be painted with the finish coat as specified in the special provisions for Cleaning and Painting New Metal Structures. The exterior surfaces of the drains shall be cleaned according to Steel Structures Painting Council's Spec. SSPC-SP1 prior to painting. Fiberglass pipe shall conform to ASTM D 2996, with short-time rupture strength hoop tensile stress of 30,000 p.s.i. minimum.

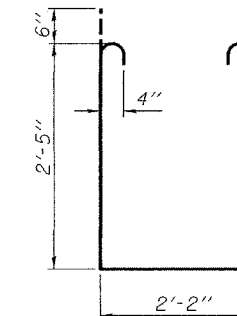
SUPERSTRUCTURE
BILL OF MATERIAL

Bar	No.	Size	Length	Shape
a(E)	220	#5	17'-1"	—
a1(E)	154	#5	16'-3"	—
a2(E)	220	#6	6'-0"	—
b(E)	76	#5	32'-11"	—
b1(E)	96	#5	22'-8"	—
d(E)	140	#5	5'-7"	⌋
d1(E)	140	#5	7'-6"	⌋
e(E)	56	#4	15'-9"	—
e1(E)	4	#8	33'-7"	—
e2(E)	4	#4	32'-6"	—
m(E)	8	#6	16'-5"	—
m1(E)	12	#6	17'-3"	—
m2(E)	24	#6	7'-7"	—
m3(E)	8	#6	2'-7"	—
m4(E)	8	#6	5'-8"	—
s(E)	72	#5	5'-5"	⌋
s1(E)	64	#4	8'-0"	⌋
v(E)	68	#5	3'-4"	⌋
Reinforcement Bars, Epoxy Coated		Pound	18200	
Concrete Superstructure		Cu. Yds.	88.1	

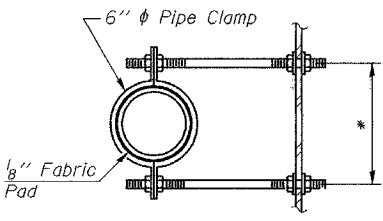
Bars indicated thus 1 x 2-#8 etc. indicates 1 line of bars with 2 lengths per line.



BAR s(E)

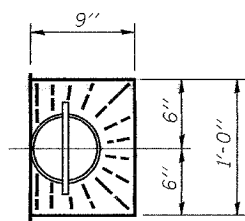


BAR s1(E)

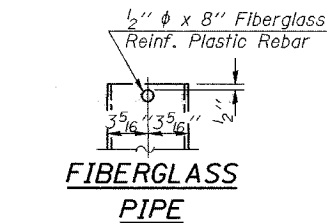


SECTION B-B

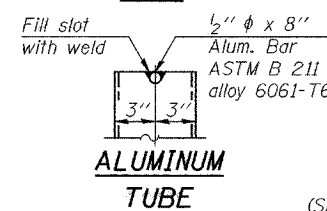
* Dimension as required by Pipe Clamp



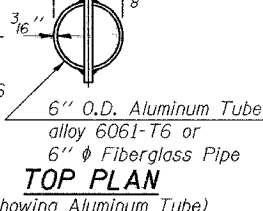
TOP PLAN



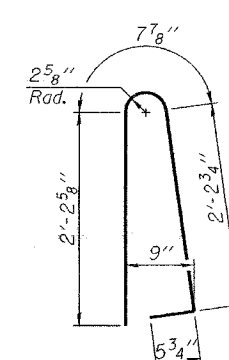
FIBERGLASS PIPE



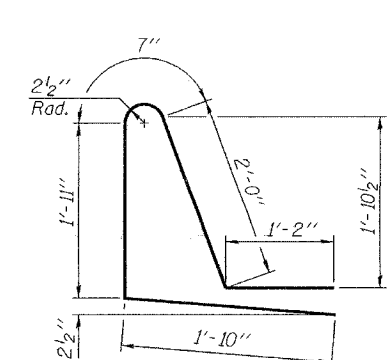
ALUMINUM TUBE



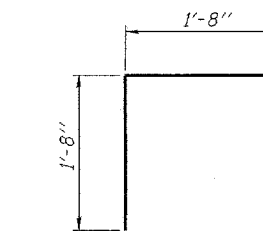
TOP PLAN (Showing Aluminum Tube)



BAR d(E)



BAR d1(E)



BAR v(E)

DESIGNED	Phillip R. Litchfield
CHECKED	Nicholas R. Barnett
DRAWN	Gregory D. Farmer
CHECKED	PRL/NRB

EXAMINED	Thomas J. Demagala
PASSED	Ralph E. Anderson

SUPERSTRUCTURE DETAILS
F.A.S. RTE. 1832 - SEC. 5BR-2
WASHINGTON COUNTY
STATION 1453+11.50
STRUCTURE NO. 095-0077