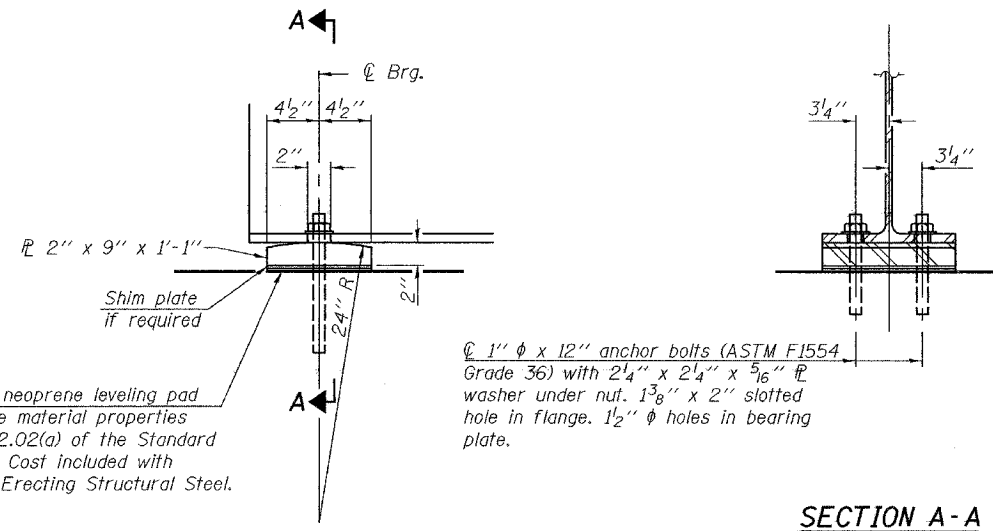


STATE OF ILLINOIS
DEPARTMENT OF TRANSPORTATION



ELEVATION AT ABUTMENT

FIXED BEARING

Notes:
Anchor bolts shall be ASTM F1554 all-thread (or an Engineer-approved alternate material) of the grade(s) and diameter(s) specified. ASTM A307 Grade C anchor bolts may be used in lieu of ASTM F1554 Grade 36 (Fy=36ksi). The corresponding specified grade of AASHTO M314 anchor bolts may be used in lieu of ASTM F1554.
Anchor bolts at fixed bearings may be either cast in place or installed in holes drilled after the supported member is in place.
Drilled and set anchor bolts shall be installed according to Article 521.06 of the Standard Specifications.
Two 1/8 in. adjusting shims shall be provided for each bearing in addition to all other plates or shims and placed as shown on bearing details.

		0.5 Sp.
I_s	(in ⁴)	4580
$I_o(n)$	(in ⁴)	12183
$I_o(3n)$	(in ⁴)	8715
S_s	(in ³)	371
$S_o(n)$	(in ³)	544
$S_o(3n)$	(in ³)	487
DC1	(k/')	0.773
M _{DC1}	(k)	365.5
DC2	(k/')	0.150
M _{DC2}	(k)	70.9
DW	(k/')	0.296
M _{DW}	(k)	139.8
M _{ℓ + Imp}	(k)	708.3
M _u (Strength I)	(k)	1994.7
φ _r M _n	(k)	2567.3
f _s DC1	(ksi)	11.82
f _s DC2	(ksi)	1.75
f _s DW	(ksi)	3.44
f _s 1.3(ℓ+I)	(ksi)	20.31
f _s (Service II)	(ksi)	37.32
f _s (Total)(Strength I)	(ksi)	-
V _r	(k)	21.7

		Abut.
R _{DC1}	(k)	23.8
R _{DC2}	(k)	4.6
R _{DW}	(k)	9.1
R _{ℓ + Imp}	(k)	67.0
R _{Total}	(k)	104.5

I_s, S_s : Non-composite moment of inertia and section modulus of the steel section used for computing f_s (Total-Strength I, and Service II) due to non-composite dead loads (in.⁴ and in.³).
 $I_o(n), S_o(n)$: Composite moment of inertia and section modulus of the steel and deck based upon the modular ratio, "n", used for computing f_s (Total-Strength I, and Service II) due to short-term composite live loads (in.⁴ and in.³).
 $I_o(3n), S_o(3n)$: Composite moment of inertia and section modulus of the steel and deck based upon 3 times the modular ratio, "3n", used for computing f_s (Total-Strength I, and Service II) due to long-term composite (superimposed) dead loads (in.⁴ and in.³).
DC1: Un-factored non-composite dead load (kips/ft.).
M_{DC1}: Un-factored moment due to non-composite dead load (kip-ft.).
DC2: Un-factored long-term composite (superimposed excluding future wearing surface) dead load (kips/ft.).
M_{DC2}: Un-factored moment due to long-term composite (superimposed excluding future wearing surface) dead load (kip-ft.).
DW: Un-factored long-term composite (superimposed future wearing surface only) dead load (kips/ft.).
M_{DW}: Un-factored moment due to long-term composite (superimposed future wearing surface only) dead load (kip-ft.).
M_{ℓ + Imp}: Un-factored live load moment plus dynamic load allowance (Impact) (kip-ft.).
M_u (Strength I): Factored design moment (kip-ft.).
1.25 (M_{DC1} + M_{DC2}) + 1.5 M_{DW} + 1.75 M_{ℓ + Imp}
φ_rM_n: Compact composite positive moment capacity computed according to Article 6.10.7.1 (kip-ft.).
f_s (Service II): Sum of stresses as computed from the moments below (ksi).
M_{DC1} + M_{DC2} + M_{DW} + 1.3 M_{ℓ + Imp}
f_s (Total)(Strength I): Sum of stresses as computed from the moments below on non-compact section (ksi).
1.25 (M_{DC1} + M_{DC2}) + 1.5 M_{DW} + 1.75 M_{ℓ + Imp}
V_r: Factored shear range in span computed according to Article 6.10.10.

*TOP OF BEAM ELEVATIONS

Location	Beam 1	Beam 2	Beam 3	Beam 4	Beam 5	Beam 6
West Abut.	439.88	439.99	440.08	440.08	439.99	439.88
East Abut.	439.86	439.97	440.06	440.06	439.97	439.86

*For Fabrication only

DESIGNED Phillip R. Litchfield
CHECKED Nicholas R. Barnett
DRAWN Gregory D. Farmer
CHECKED PRL/NRB

EXAMINED Thomas J. Domagalaki
PASSED Ralph E. Anderson
January 28, 2008
ENGINEER OF BRIDGE DESIGN
ENGINEER OF BRIDGES AND STRUCTURES

STRUCTURAL STEEL DETAILS
F.A.S. RTE. 1832 - SEC. 5BR-2
WASHINGTON COUNTY
STATION 1453+11.50
STRUCTURE NO. 095-0077