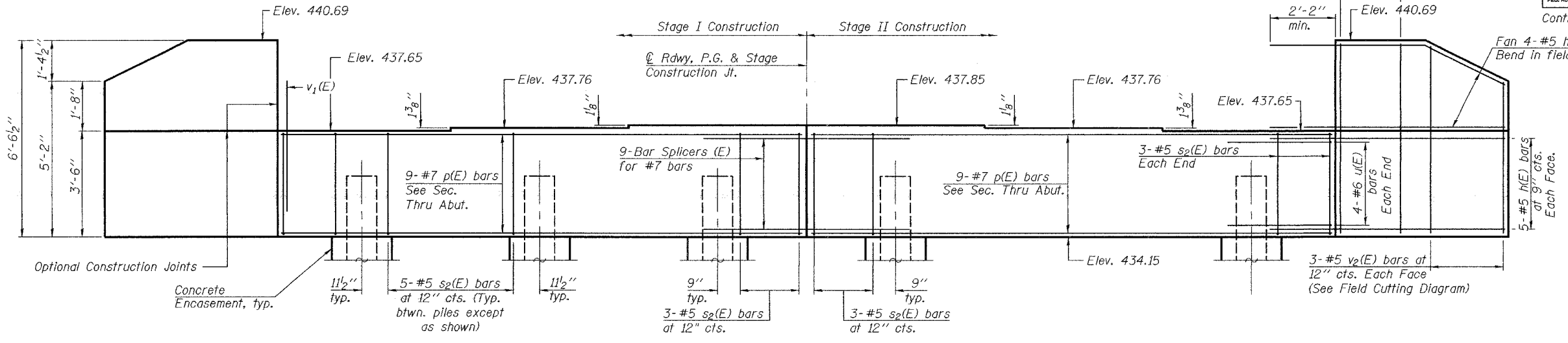


STATE OF ILLINOIS  
DEPARTMENT OF TRANSPORTATION

ROUTE NO.	SECTION	COUNTY	SHEET	SHEET	SHEET NO. 13 18 SHEETS
F.A.S. 1832	5BR-2	WASHINGTON	97	39	
FED. ROAD DIST. NO. 7	ILLINOIS	FED. AID PROJECT-			

Contract #76949

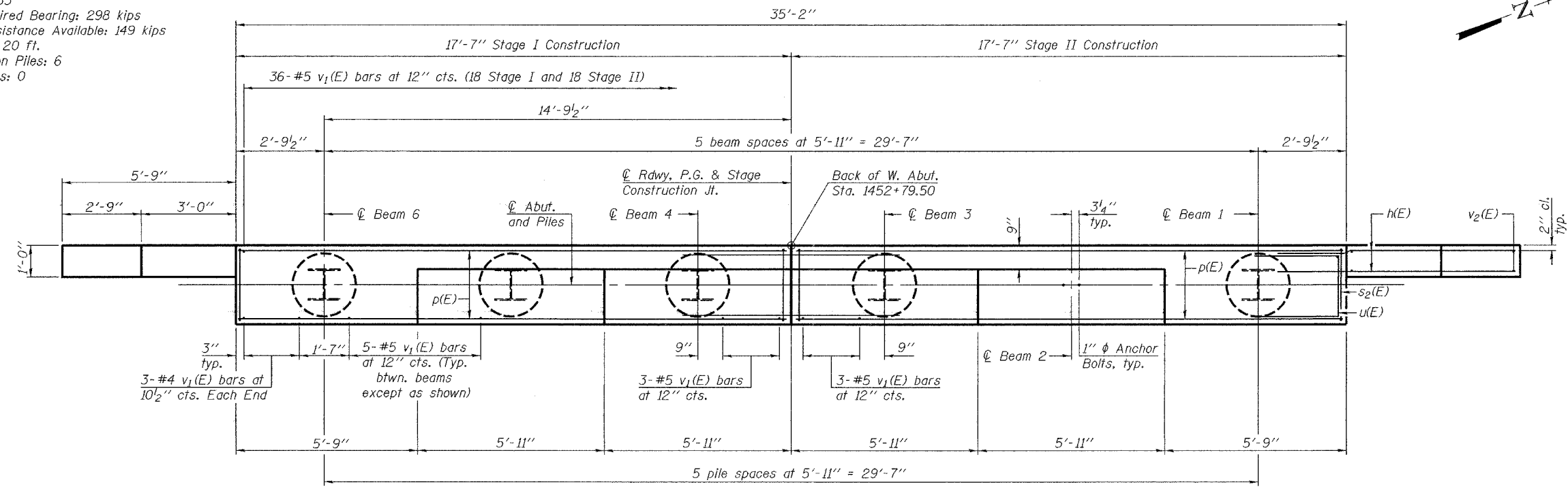
Notes: Pour steps monolithically with cap.



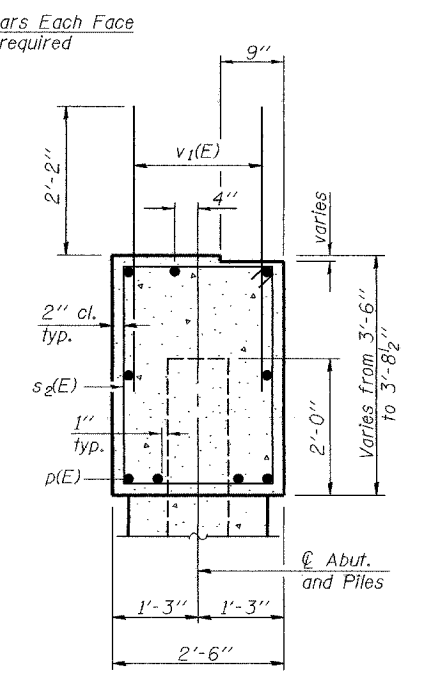
ELEVATION

PILE DATA

Type: HP12x53  
Nominal Required Bearing: 298 kips  
Factored Resistance Available: 149 kips  
Est. Length: 20 ft.  
No. Production Piles: 6  
No. Test Piles: 0



PLAN



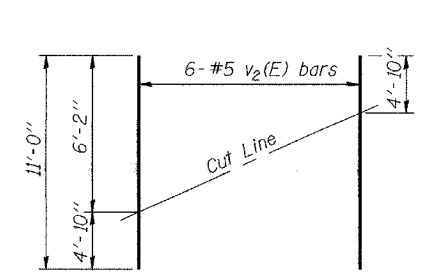
SEC. THRU ABUT.

BILL OF MATERIAL

Bar	No.	Size	Length	Shape
h(E)	36	#5	8'-1"	—
p(E)	18	#7	17'-3"	—
s2(E)	32	#5	11'-7"	□
u(E)	8	#6	8'-1"	□
v1(E)	68	#5	4'-4"	—
v2(E)	6	#5	11'-0"	—
v3(E)	12	#5	6'-2"	—
Structure Excavation			Cu. Yd.	70
Concrete Structures			Cu. Yd.	14.4
Reinforcement Bars, Epoxy Coated			Pound	1880
Furnishing Steel Piles HP12x53			Foot	120
Driving Piles			Foot	120
Concrete Encasement			Cu. Yd.	2.1

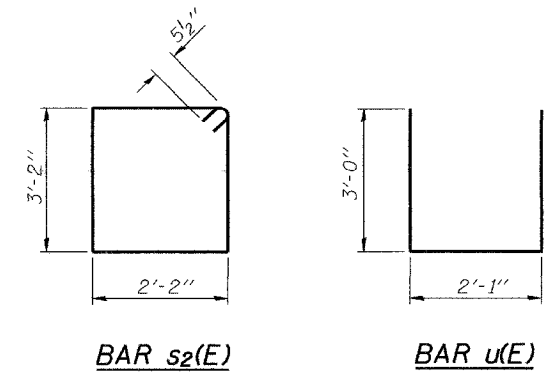
For details of Bar Splicers, see sheet 17 of 18.  
For details of piles and Concrete Encasement, see sheet 15 of 18.

Note:  
If h(E) bars interfere with Steel H-Piles, cut h(E) bars to fit and maintain min. 2'-2" embedment.



FIELD CUTTING DIAGRAM

Order v2(E) full length. Cut as shown and use remainder of bars in opposite face.



DESIGNED	Phillip R. Litchfield
CHECKED	Nicholas R. Barnett
DRAWN	Gregory D. Farmer
CHECKED	PRL/NRB

January 28, 2008  
EXAMINED *Thomas J. Domagala*  
PASSED *Ralph E. Anderson*  
ENGINEER OF BRIDGES AND STRUCTURES

WEST ABUTMENT  
F.A.S. RTE. 1832 - SEC. 5BR-2  
WASHINGTON COUNTY  
STATION 1453+11.50  
STRUCTURE NO. 095-0077