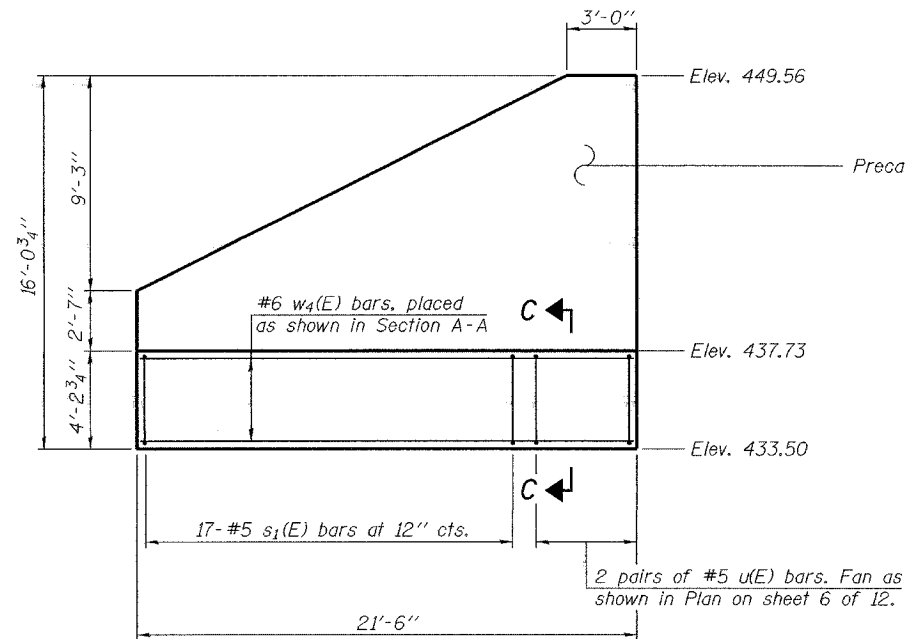


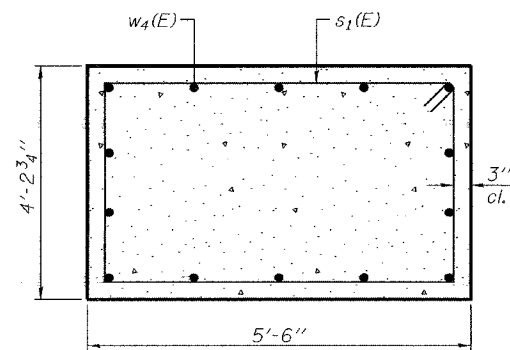
STATE OF ILLINOIS
DEPARTMENT OF TRANSPORTATION

ROUTE NO.	SECTION	COUNTY	TOTAL SHEETS	SHEET NO.	SHEET NO.
F.A.S. 1832	5BR-2	WASHINGTON	97	78	12 SHEETS
FED. ROAD DIST. NO. 7	ILLINOIS	FED. AID PROJECT-			

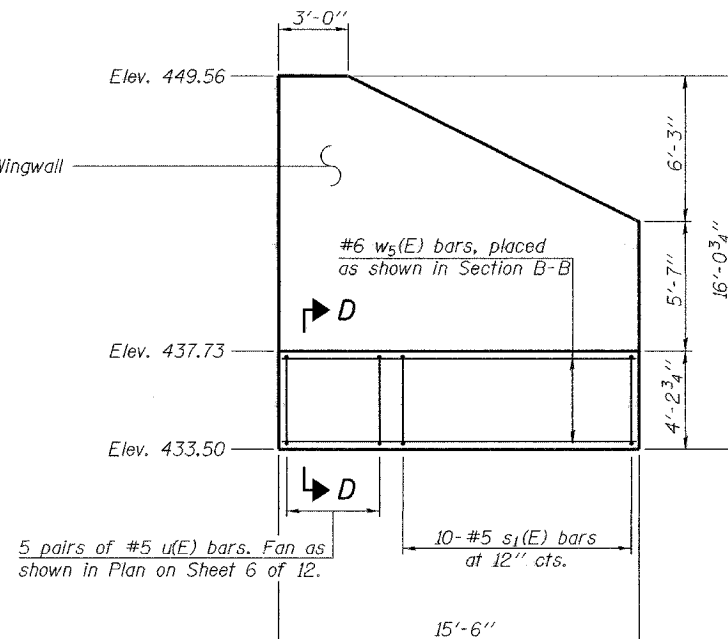
Contract #76949



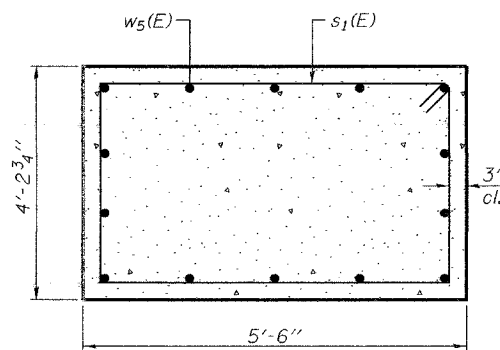
NORTHEAST AND SOUTHWEST WINGWALLS
(Looking Inside Face)



SECTION C-C

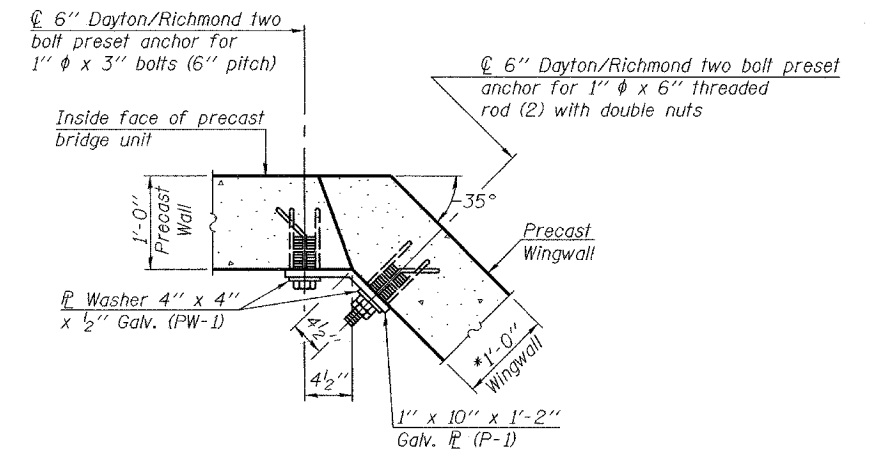


NORTHWEST AND SOUTHWEST WINGWALLS
(Looking Inside Face)

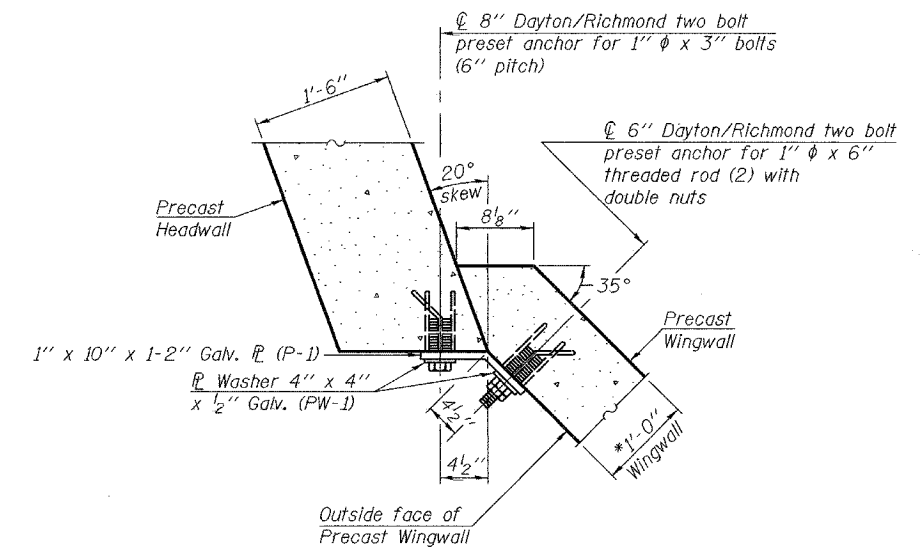


SECTION D-D

Note: Reinforcement for wingwalls is to be determined by the fabricator.
Precast Wingwall & associated hardware is billed as Precast Concrete Substructure, L. Sum.



DETAIL B
(At Unit Leg; S.W. or N.E.)



DETAIL B
(At Headwall; S.W. or N.E.)

Note: Connection P-1 shall be positioned with small phi holes toward precast headwall.

PRECAST WINGWALL DETAILS
F.A.S. RTE. 1832 - SEC. 5BR-2
WASHINGTON COUNTY
STATION 1511+01.00
STRUCTURE NO. 095-0078

DESIGNED	Nicholas R. Barnett
CHECKED	Ray Ahanchi
DRAWN	Gregory D. Farmer
CHECKED	NRB/GRA

EXAMINED	Thomas J. Demagalki	January 28 2008
PASSED	Ralph E. Anderson	