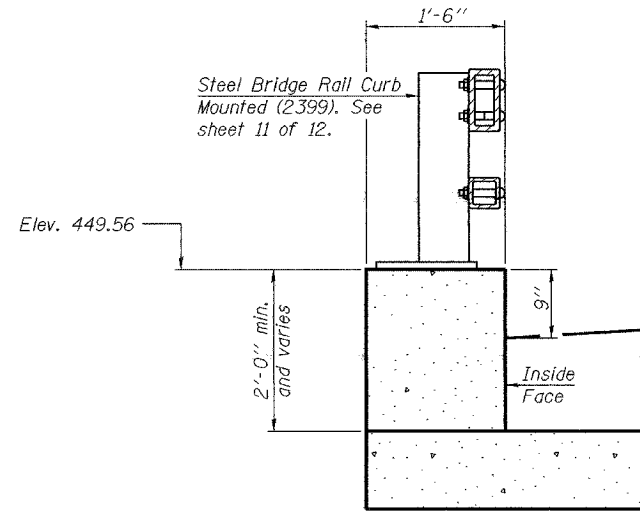


STATE OF ILLINOIS  
DEPARTMENT OF TRANSPORTATION

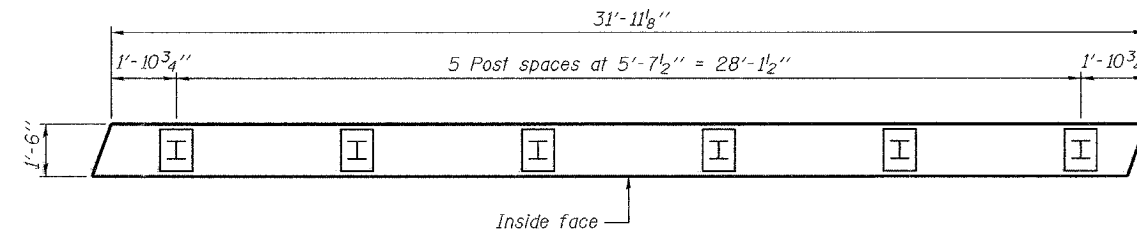
ROUTE NO.	SECTION	COUNTY	TOTAL SHEETS	SHEET NO.	SHEET NO.
F.A.S. 1832	5BR-2	WASHINGTON	97	79	12 SHEETS
FED. ROAD DIST. NO. 7	ILLINOIS	FED. AID PROJECT-			

Contract #76949

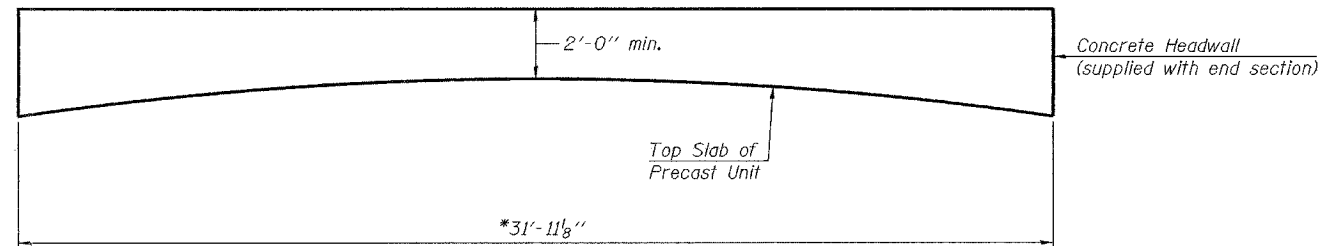


Note: Headwall to be designed by precast provider.  
Concrete Sealer shall be applied to top and inside exposed face of Precast Headwall.  
Headwall shall be designed per AASHTO Art. 2.7 of Standard Specifications.

SECTION THRU HEADWALL



PLAN OF HEADWALL POST LAYOUT



PRECAST HEADWALL ELEVATION

\*Dimension measured along inside face of headwall

DESIGNED	Nicholas R. Barnett
CHECKED	Ray Ahanchi
DRAWN	Gregory D. Farmer
CHECKED	NRB/GRA

EXAMINED	Thomas J. Demagala	January 28 2008
PASSED	Ralph E. Anderson	

ENGINEER OF BRIDGE DESIGN  
ENGINEER OF BRIDGES AND STRUCTURES

HEADWALL DETAILS  
F.A.S. 1832 - SEC. 5BR-2  
WASHINGTON COUNTY  
STATION 1511+01.00  
STRUCTURE NO. 095-0078