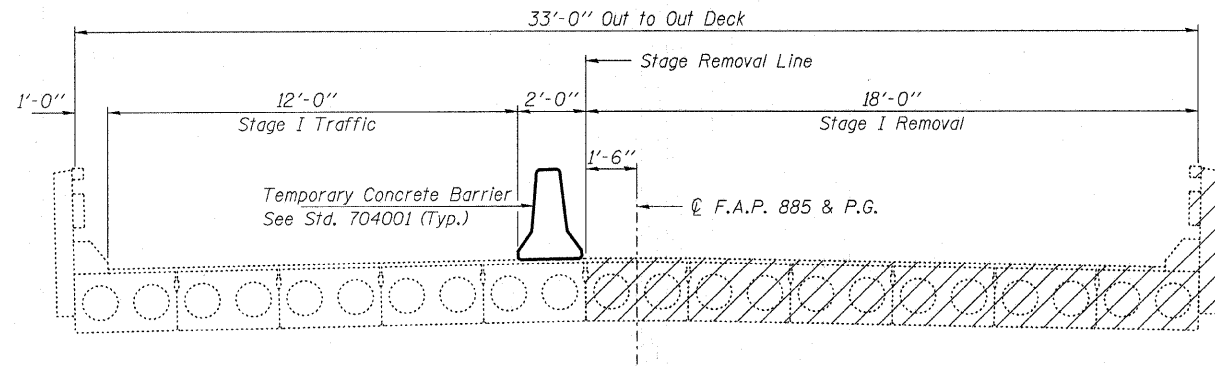


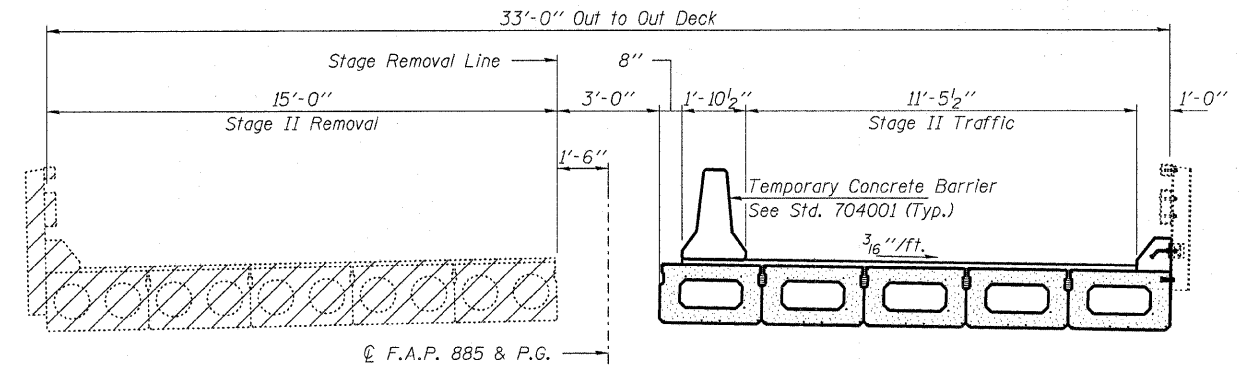
STATE OF ILLINOIS  
DEPARTMENT OF TRANSPORTATION

ROUTE NO.	SECTION	COUNTY	TOTAL SHEETS	SHEET NO.	SHEET NO. 3 19 SHEETS
F.A.P. 885	107BR-1	Johnson	94	24	
FED. ROAD DIST. NO. 7		ILLINOIS	FED. AID PROJECT-		

Contract #78030

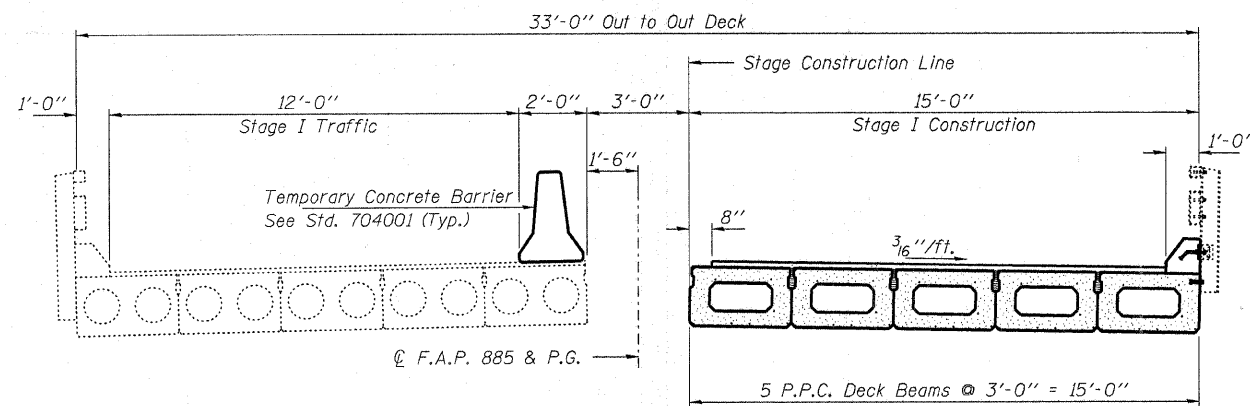


**STAGE I REMOVAL**

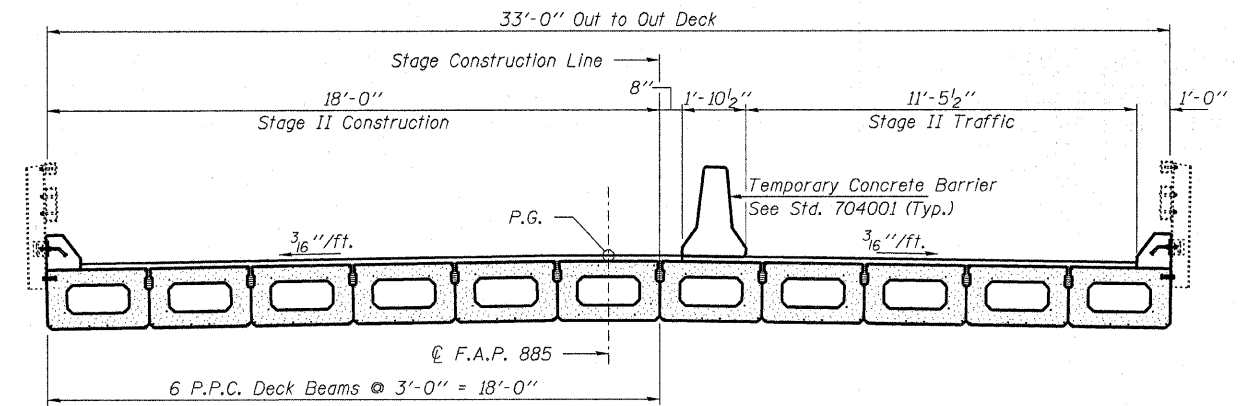


**STAGE II REMOVAL**

- Notes:
1. All views are looking East.
  2. See Sheet 7 of 19 for shear key clamping details.
  3. See Roadway Plans for quantity of Temporary Concrete Barrier.



**STAGE I CONSTRUCTION**



**STAGE II CONSTRUCTION**

**HAMPTON, LENZINI & RENWICK, INC.**  
CIVIL & STRUCTURAL ENGINEERS  
LAND SURVEYORS

3085 STEVENSON DRIVE, SUITE 201  
SPRINGFIELD, ILLINOIS 62703  
(217) 546-3400

**HLR**

ELGIN • SPRINGFIELD

PROJECT NUMBER: 12-52-0007-1    DATE: 04/02/08  
DESIGNED: S.M.S.    CHECKED: M.D.C.    DRAWN: D.T.M.

**STAGE CONSTRUCTION DETAILS**

**IL. ROUTE 146 OVER CACHE RIVER**  
**F.A.P. ROUTE 885 / SECTION 107BR-1**  
**JOHNSON COUNTY**  
**STATION 727+23.00**  
**STRUCTURE NO. 044-0014**