

STATE OF ILLINOIS
DEPARTMENT OF TRANSPORTATION

ROUTE NO.	SECTION	COUNTY	TOTAL SHEETS	SHEET NO.	SHEET NO. 8 19 SHEETS
F.A.P. 885	107BR-1	Johnson	94	29	
FED. ROAD DIST. NO. 7		ILLINOIS	FED. AID PROJECT-		

Contract #78030

NOTES

H.M.A. wearing surface and Waterproofing Membrane System shall be placed after grouting the shear keys.

Dowel rods drilled in cap are included in the cost of Precast Prestressed Concrete Deck Beams (21" Depth).

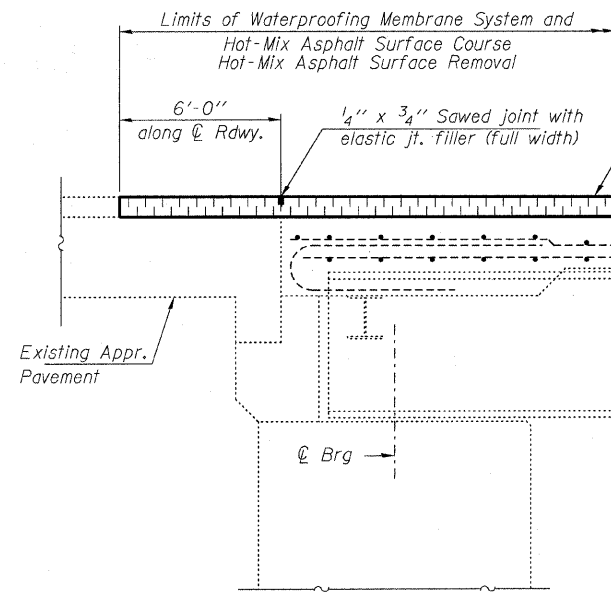
Anchor bolts shall be ASTM F1554 all-thread (or an Engineer approved alternate material) of the grade(s) and diameter(s) specified. ASTM A307 Grade C anchor bolts may be used in lieu of ASTM F1554 Grade 36 (Fy=36ksi). The corresponding specified grade of AASHTO M314 anchor bolts may be used in lieu of ASTM F1554.

Cost of Concrete in hatched areas included with Concrete Superstructure.

All horizontal substructure dimensions shown at Rt. angles to substructure element.

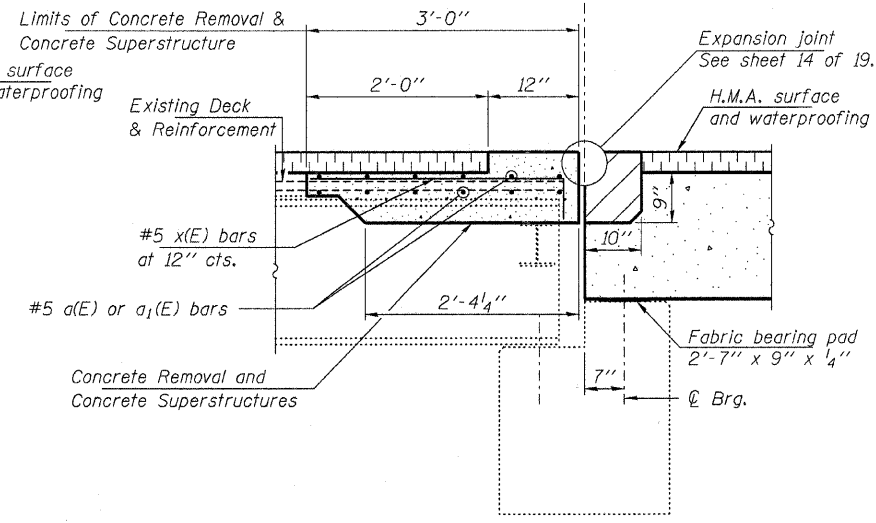
Existing longitudinal reinforcement extending into removal areas shall be cleaned, straightened and incorporated into the new construction. Cost included with Concrete Removal.

See Sheets 9, 10 & 11 of 19 for reinforcement layout.



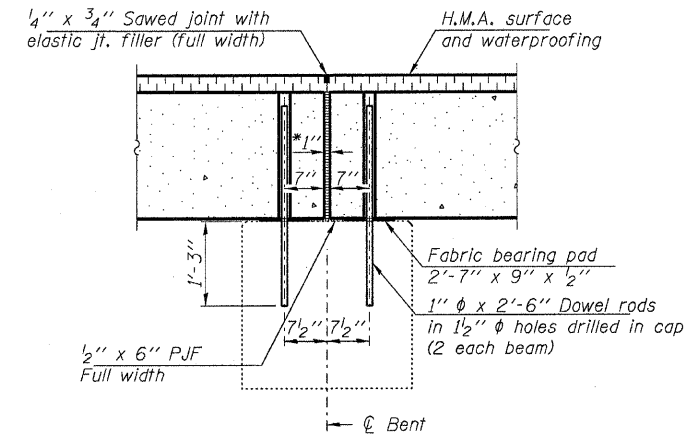
SECTION AT BENTS 1 & 7

See Roadway Plans Sheet 9 of 94 for details.



SECTION THRU PIERS 1 & 2

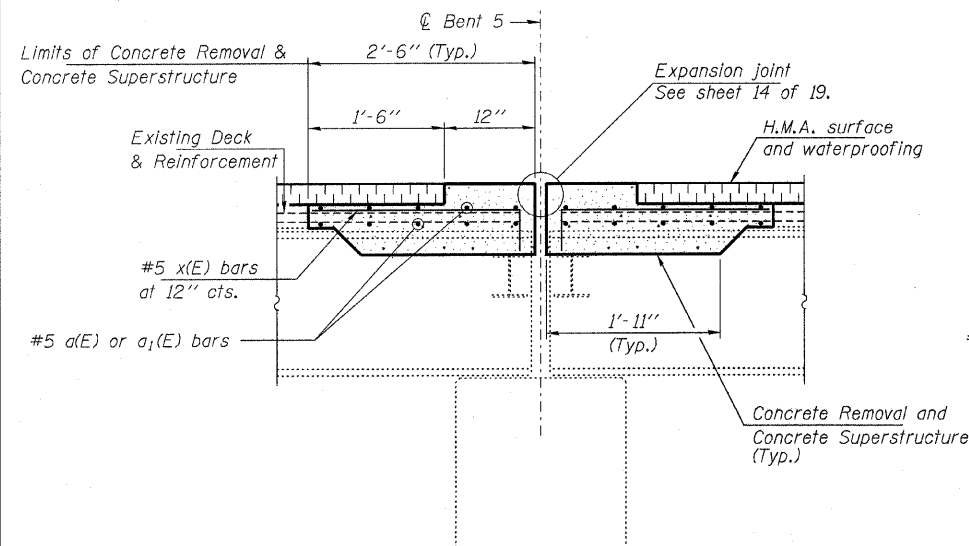
Notes:
All horizontal dimensions are at right angles to beam ends.
Hatched area to be poured after beams are in place.
See sheet 7 of 19 for bearing pad details.



SECTION THRU FIXED BENT 2

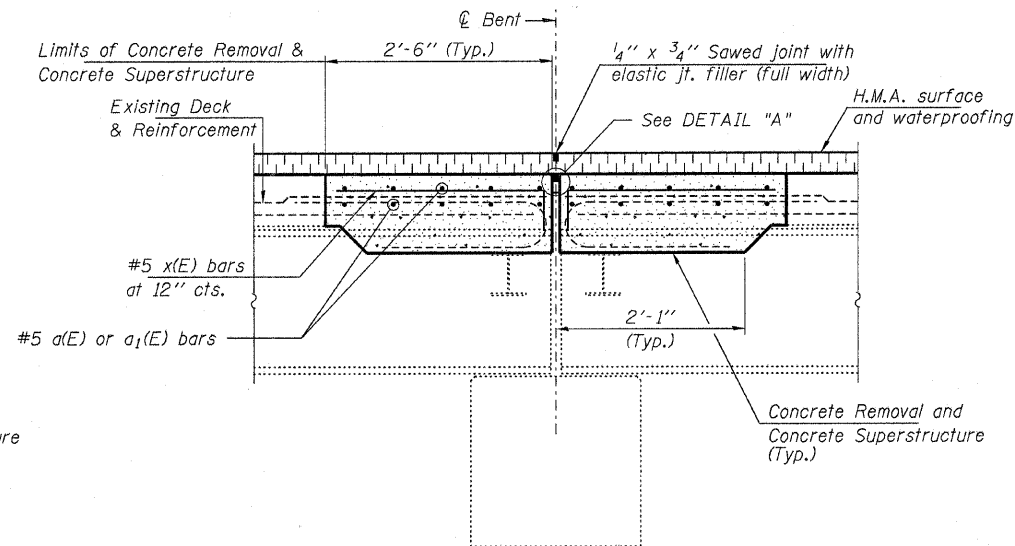
*1" Jt. shall be filled with non-shrink grout. 1" dimension may vary to accommodate tolerance in beam lengths.

Notes:
After beams have been erected, holes shall be drilled into substructure and anchor dowels placed. Dowel holes shall be filled with non-shrink grout to top of beam and allowed to cure min. 24 hrs. prior to grouting the shear keys.
All horizontal dimensions are at right angles to beam ends.
See sheet 7 of 19 for bearing pad details.



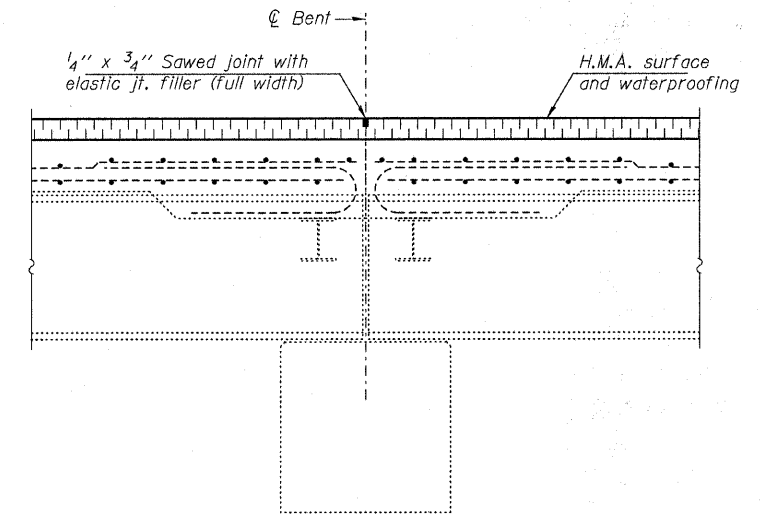
SECTION THRU EXPANSION BENT 5

Notes:
All horizontal dimensions are at right angles to beam ends.



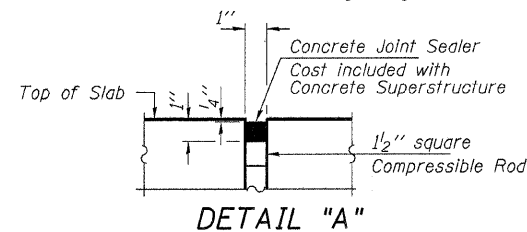
SECTION AT BENTS 4 & 6

Notes:
All horizontal dimensions are at right angles to beam ends.



SECTION AT BENT 3

Notes:
All horizontal dimensions are at right angles to beam ends.



DETAIL "A"

HAMPTON, LENZINI & RENWICK, INC.
CIVIL & STRUCTURAL ENGINEERS
LAND SURVEYORS

3085 STEVENSON DRIVE, SUITE 201
SPRINGFIELD, ILLINOIS 62703
(217) 546-3400

ELGIN • SPRINGFIELD

PROJECT NUMBER: 12-52-0007-1 DATE: 04/02/08
DESIGNED: S.M.S. CHECKED: M.D.C. DRAWN: D.T.M.

SUPERSTRUCTURE DETAILS

IL. ROUTE 146 OVER CACHE RIVER
F.A.P. ROUTE 885 / SECTION 107BR-1
JOHNSON COUNTY
STATION 727+23.00
STRUCTURE NO. 044-0014