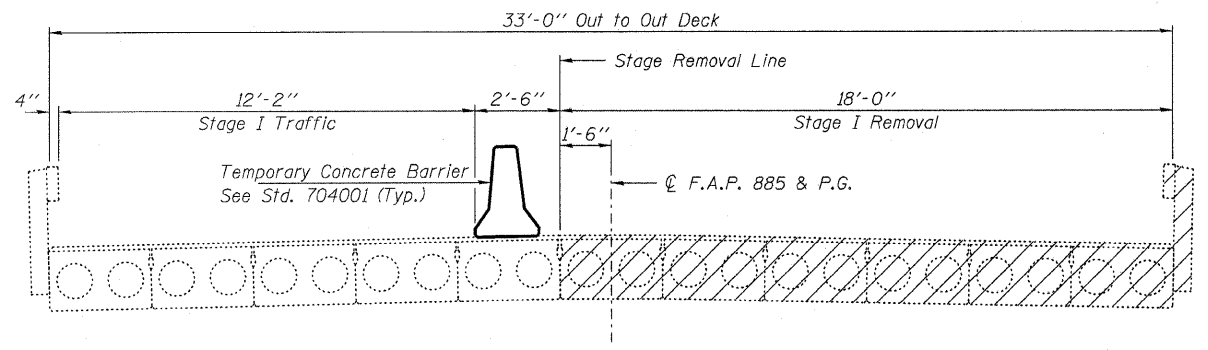


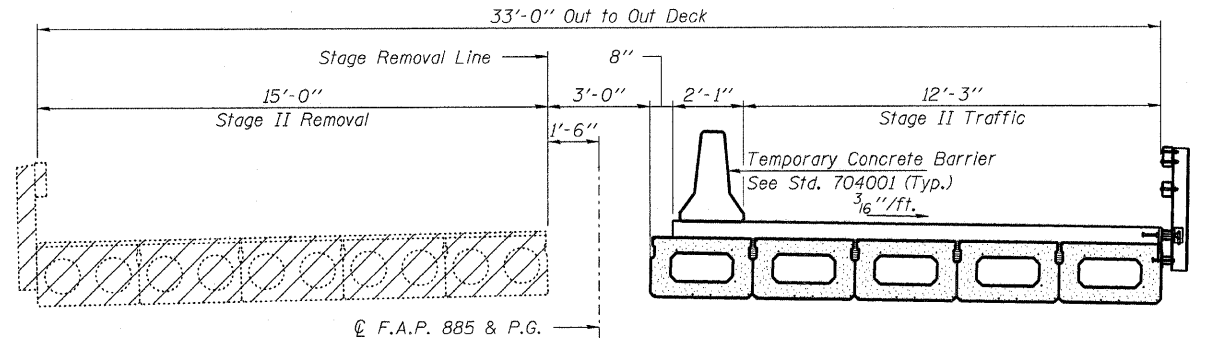
STATE OF ILLINOIS
DEPARTMENT OF TRANSPORTATION

ROUTE NO. F.A.P. 885	SECTION IIIBR-1	COUNTY Johnson	TOTAL SHEETS 94	SHEET NO. 62	SHEET NO. 3 16 SHEETS
FED. ROAD DIST. NO. 7		ILLINOIS FED. AID PROJECT-			

Contract #78030

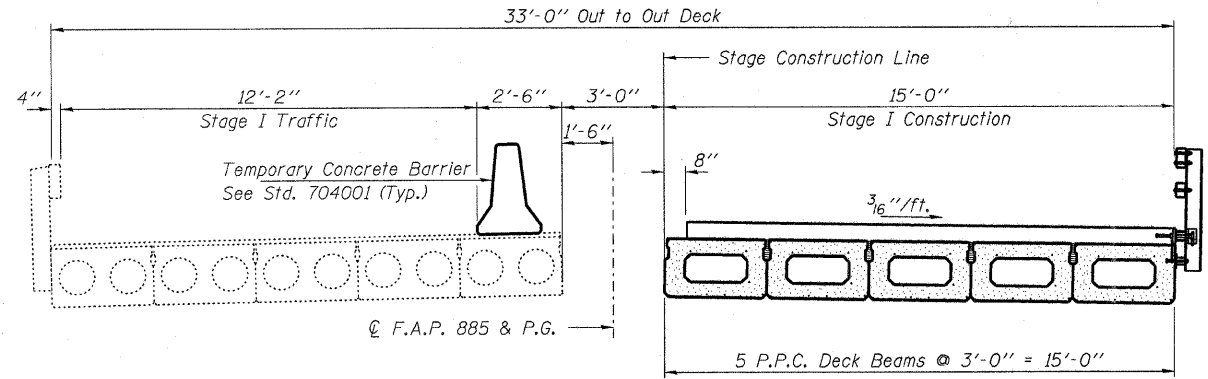


STAGE I REMOVAL

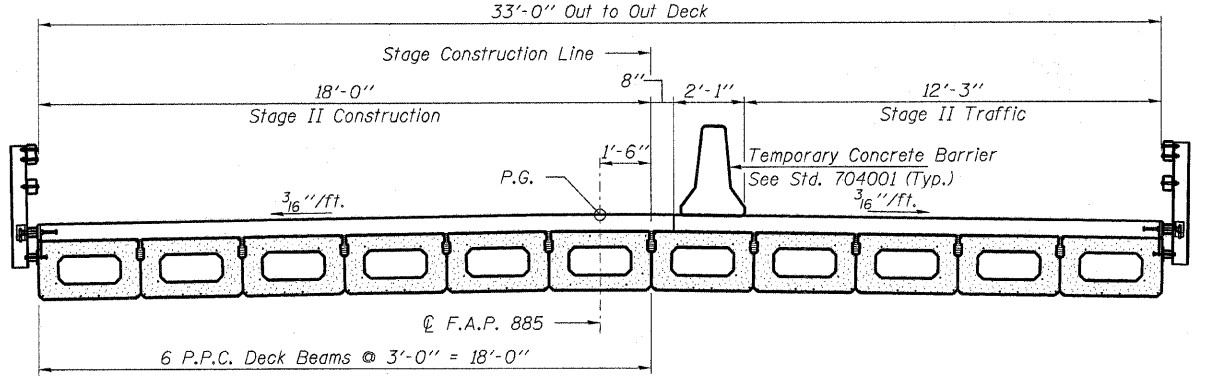


STAGE II REMOVAL

- Notes:
1. All views are looking East.
 2. See Sheet 8 of 16 for shear key clamping details.
 3. See Roadway Plans for quantity of Temporary Concrete Barrier.



STAGE I CONSTRUCTION



STAGE II CONSTRUCTION

HAMPTON, LENZINI & RENWICK, INC.
CIVIL & STRUCTURAL ENGINEERS
LAND SURVEYORS

3085 STEVENSON DRIVE, SUITE 201
SPRINGFIELD, ILLINOIS 62703
(217) 548-3400

ELGIN • SPRINGFIELD

PROJECT NUMBER: 12-52-0007-1 DATE: 04/02/08
DESIGNED: P.S.L. CHECKED: M.D.C. DRAWN: D.T.M.

STAGE CONSTRUCTION DETAILS

IL. ROUTE 146 OVER BELL POND
F.A.P. ROUTE 885 / SECTION IIIBR-1
JOHNSON COUNTY
STATION 513+00
STRUCTURE NO. 044-0022