

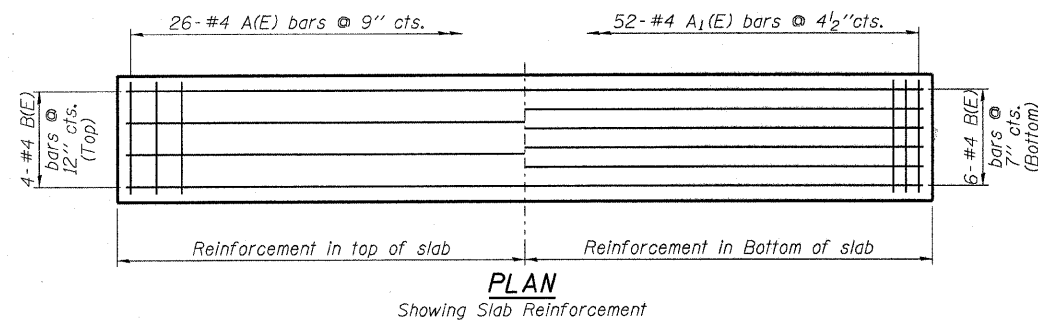
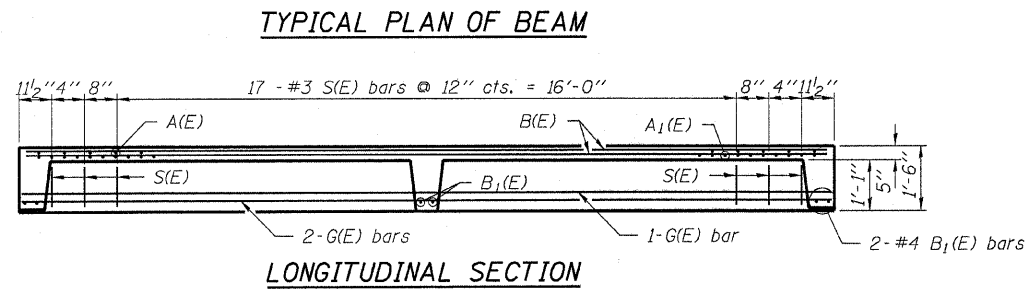
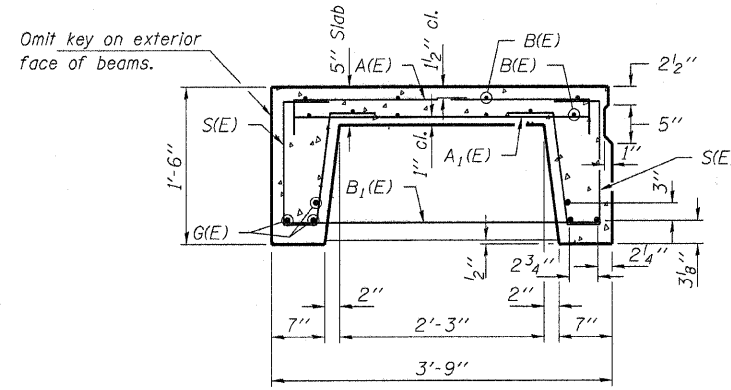
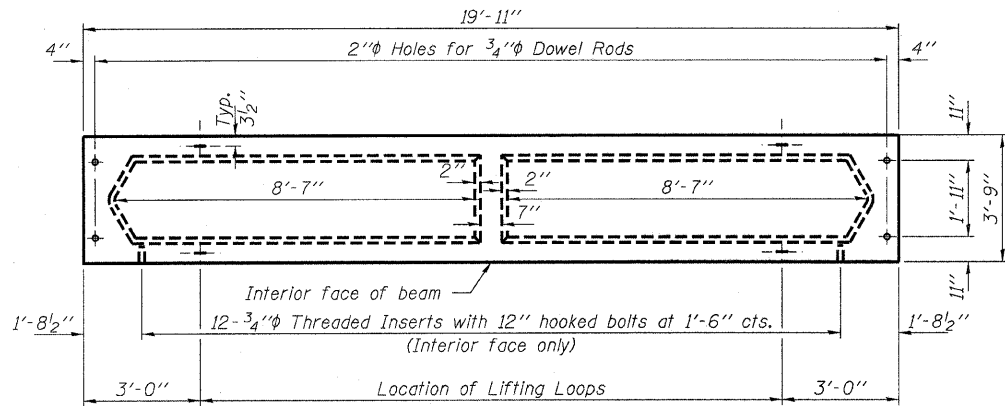
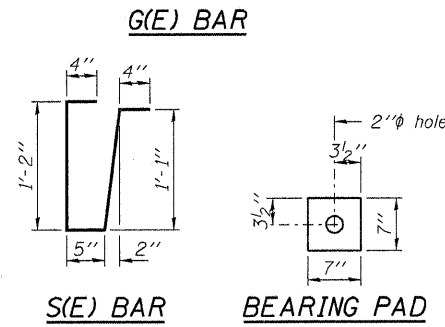
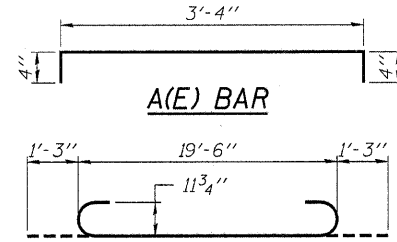
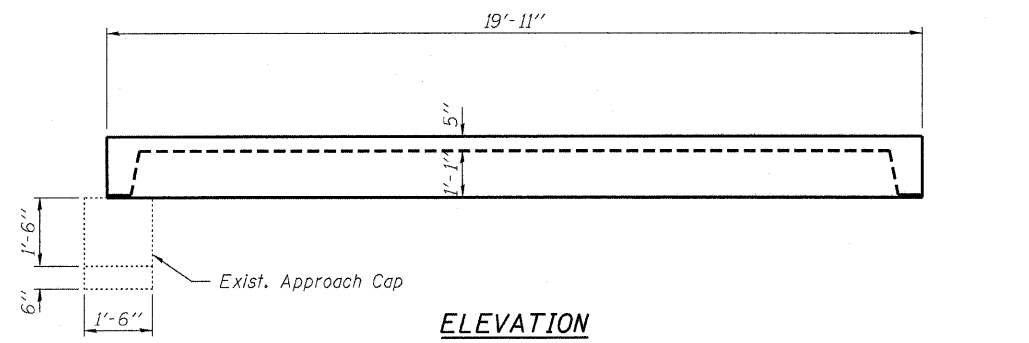
STATE OF ILLINOIS
DEPARTMENT OF TRANSPORTATION

ROUTE NO.	SECTION	COUNTY	TOTAL SHEETS	SHEET NO.
F.A.P. 885	III BR-1	Johnson	94	68
FED. ROAD DIST. NO. 7	ILLINOIS	FED. AID PROJECT-		

Contract #78030

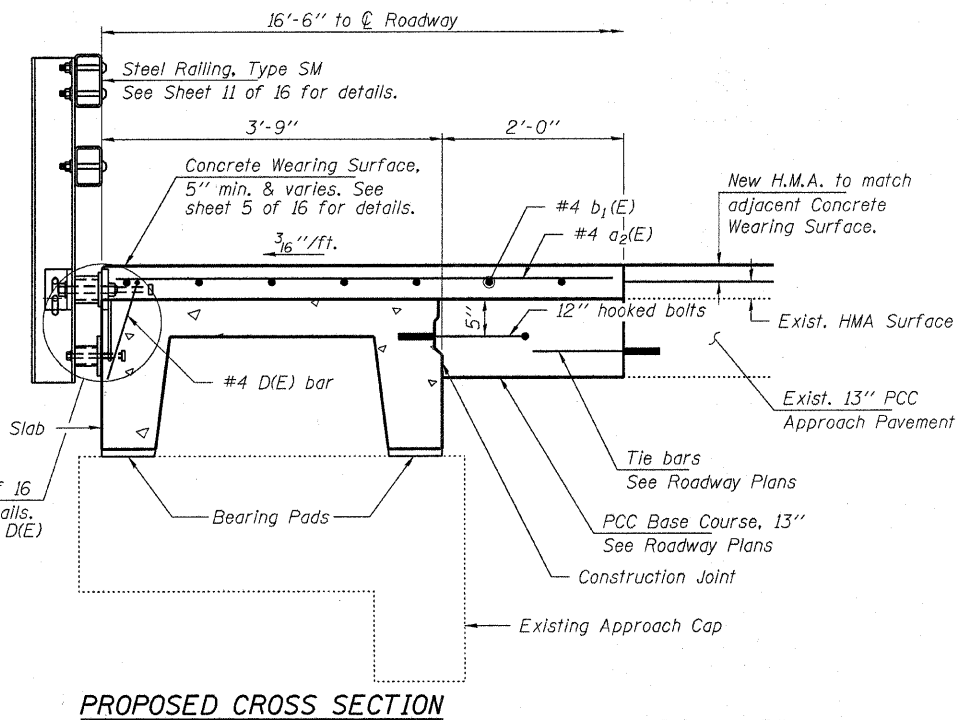
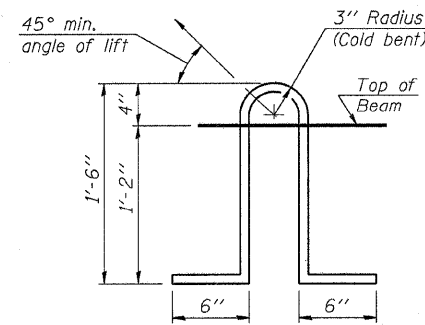
NOTES

Lifting loops shall be 2-1/2" ϕ -270 ksi strands, as shown.
Reinforcing steel shall conform to ASTM A 706 (IL MOD), Grade 60.
The bearing seat surfaces shall be adjusted by shimming to assure firm and even bearing. Two 1/8" fabric adjusting shims of the dimensions of the Bearing Pad shall be provided for each bearing.
Keyway surfaces shall be cleaned to remove form oil or other bond breaking material prior to shipment of the slabs. Cleaning shall be done by sandblasting the keyway areas between top of the slab and the bottom edge of the key.
Corrosion Inhibitor, per Article 1020.05(b)(12) of the Standard Specifications, shall be used in the concrete for precast concrete bridge slabs.
Required Strength, f'c, shall be 4,500 p.s.i.
See Sheet 2 of 16 for location of rail connectors and additional notes.
Cost of reinforcement and accessories cast into the slab unit, bearing pads, furnishing, drilling for, placing and grouting anchor rods and 3/4" ϕ hooked bolts is included in contract Unit Price for "Precast Concrete Bridge Slab."
The Precast Concrete Bridge Slab shall be erected and aligned with the exterior face of the exterior Deck Beam after Deck Beams are in final position.
The beam detailed on this sheet is for use in all corners of the bridge as the PC Concrete Bridge Slabs.



MATERIAL - FOR ONE BEAM

BAR	NO.	SIZE	LENGTH	SHAPE
A(E)	26	#4	4'-0"	[]
A ₁ (E)	52	#4	3'-3"	[]
B(E)	10	#4	19'-6"	[]
B ₁ (E)	6	#4	3'-6"	[]
G(E)	6	#9	22'-0"	[]
S(E)	42	#3	3'-4"	[]



BILL OF MATERIAL

ITEM	UNIT	QUANTITY
Precast Concrete Bridge Slab	Sq. Ft.	299

**Quantities for H.M.A. surface included in total summary of quantities.

HAMPTON, LENZINI & RENWICK, INC.
CIVIL & STRUCTURAL ENGINEERS
LAND SURVEYORS

3085 STEVENSON DRIVE, SUITE 201
SPRINGFIELD, ILLINOIS 62703
(217) 546-3400

ELGIN • SPRINGFIELD

PROJECT NUMBER: 12-52-0007-1 DATE: 04/02/08
DESIGNED: P.S.L. CHECKED: M.D.C. DRAWN: D.T.M.

APPROACH DETAILS

IL. ROUTE 146 OVER BELL POND
F.A.P. ROUTE 885 / SECTION III BR-1
JOHNSON COUNTY
STATION 513+00
STRUCTURE NO. 044-0022